



**Snackgeräte
Wärmebrücken mit „C“ Gestell**

Artikel-Nr. 276003, 276004, 276005, 276006
(GRAH-18+C-Leg, GRAH-30+C-Leg, GRAH-42+C-Leg, GRAH-54+C-Leg)

Explosionszeichnung / Ersatzteile

GLO-RAY®
Food Warmer

GR Series

GR

GRAL

GRA

GRAH

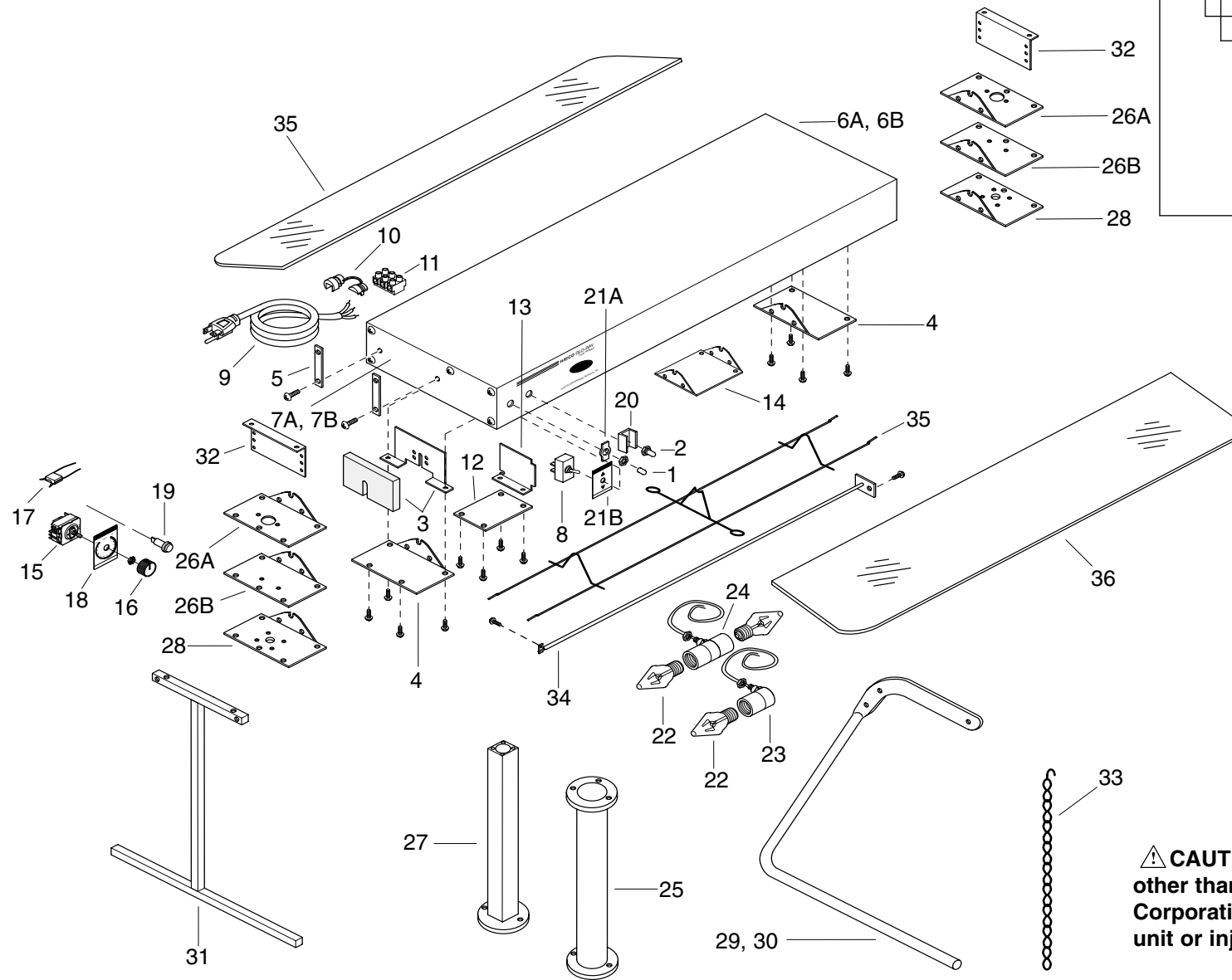
GRH

GRAHL

**REPLACEMENT
PARTS LIST**

HATCO GLO-RAY® FOOD WARMER SERIES

Model Designation	
GRAHL-XXT	
—	Glo
—	Ray
—	Aluminum
—	High Wattage
—	Lights
—	Length (inches)
—	Tandem (Heating elements mounted end to end)



⚠ CAUTION - Use of replacement parts other than those supplied by Hatco Corporation may result in damage to the unit or injury to personnel.

PARTS COMMON TO ALL MODELS

ITEM	DESCRIPTION	PART NO.	QTY.	ITEM	DESCRIPTION	PART NO.	QTY.
1	Rubber Boot for Toggle Switch, Slip On	02.20.283.00	1	3	Backup Element Support Plate with Insulation	R04.09.056.00	2
2	Rubber Boot for Toggle Switch, Threaded (optional)	02.20.040.00	1	4	Bottom End Cover	04.08.055.00	2
				5	Hanger Tab	04.08.042.00	4

PARTS SPECIFIC TO ALL MODELS

ITEM	DESCRIPTION	100V	120V	208V	240V	220E	240E	220-230CE	230-240CE
6A	End Plate, RH 6" (15 cm)•	04.09.051.00	04.09.051.00	04.09.051.00	04.09.051.00	04.09.051.00	04.09.051.00	04.09.051.00	04.09.051.00
6B	End Plate, RH 9" (23 cm) (Lighted Unit)•	04.09.114.00	04.09.114.00	04.09.114.00	04.09.114.00	04.09.114.00	04.09.114.00	04.09.114.00	04.09.114.00
7A	End Plate, LH 6" (15 cm), with Grounding Bracket•	04.09.057.00	04.09.057.00	04.09.057.00	04.09.057.00	04.09.057.00	04.09.057.00	04.09.057.00	04.09.057.00
7B	End Plate, 9" (23 cm) LH (Lighted Unit)	04.09.115.00	04.09.115.00	04.09.115.00	04.09.115.00	04.09.115.00	04.09.115.00	04.09.115.00	04.09.115.00
8	Toggle Switch (Qty. 1-2)	R02.19.016.00	R02.19.016.00	R02.19.008A.00	R02.19.008A.00	R02.19.008A.00	R02.19.008A.00	R02.19.008A.00	R02.19.008A.00
9	Cord and Plug*	---	R02.18.030.00	---	---	---	---	---	---
10	Cord Grip	---	02.20.206.00	---	---	---	---	---	---
11	Terminal Block	---	---	---	---	---	---	R02.15.030.00	R02.15.030.00
12	Cover Plate, 4" (10 cm) (Lighted Unit)	04.11.003.00	04.11.003.00	04.11.003.00	04.11.003.00	04.11.003.00	04.11.003.00	04.11.003.00	04.11.003.00
13	Cover Plate, Support LH (Lighted Unit)	04.09.134.00	04.09.134.00	04.09.134.00	04.09.134.00	04.09.134.00	04.09.134.00	04.09.134.00	04.09.134.00
14	Tandem Center Cover (Qty. 2)	04.08.049.00	04.08.049.00	04.08.049.00	04.08.049.00	04.08.049.00	04.08.049.00	04.08.049.00	04.08.049.00

Shaded area reflects export models only.

• Not Shown

* Cord and plug set available on 120 Volt models up to 6' (183 cm) with C-Leg or T-Leg stand only.

PARTS OPTIONAL TO ALL MODELS

ITEM	DESCRIPTION	100V	120V	208V	240V	220E	240E	220-230CE	230-240CE
15	Infinite Switch with Knob	R02.19.160.00	R02.19.018.00	R02.19.017.00	R02.19.019.00	R02.19.019.00	R02.19.019.00	R02.19.019.00	R02.19.019.00
16	Knob, Infinite Switch	05.30.043.00	05.30.043.00	05.30.043.00	05.30.043.00	05.30.043.00	05.30.043.00	05.30.043.00	05.30.043.00
17	Noise Suppression	---	---	---	---	---	---	02.13.306.00	02.13.306.00
18	Infinite Switch Plate	07.01.034.00	07.01.034.00	07.01.034.00	07.01.034.00	07.01.034.00	07.01.034.00	07.01.034.00	07.01.034.00
19	Indicator Light, Red	02.19.154.00	02.19.154.00	02.19.151.00	02.19.151.00	---	---	---	---
	Indicator Light, Green	---	---	---	---	02.19.150.00	02.19.150.00	02.19.150.00	02.19.150.00
20	Switch Guard - Toggle	04.08.240.00	04.08.240.00	04.08.240.00	04.08.240.00	04.08.240.00	04.08.240.00	04.08.240.00	04.08.240.00
21A	Toggle Switch On/Off Indicator	07.01.058.00	07.01.058.00	07.01.058.00	07.01.058.00	07.01.058.00	07.01.058.00	07.01.214.00	07.01.214.00
21B	Toggle Switch Plate	07.01.035.00	07.01.035.00	07.01.035.00	07.01.035.00	07.01.035.00	07.01.035.00	07.01.035.00	07.01.035.00
22	Light Bulb, Coated, 60 Watt	02.30.043.00	02.30.043.00	02.30.043.00†	02.30.043.00†	02.30.058.00	02.30.058.00	02.30.058.00	02.30.058.00
23	Light Socket (Single) with Leads	02.30.044.00	02.30.044.00	02.30.044.00	02.30.044.00	02.30.044.00	02.30.044.00	02.30.044.00	02.30.044.00
24	Light Socket (Double) with Leads	02.30.045.00	02.30.045.00	02.30.045.00	02.30.045.00	02.30.045.00	02.30.045.00	02.30.045.00	02.30.045.00

Shaded area reflects export models only.

† 120 Volt circuit for light only.

MOUNTING PARTS OPTIONAL TO ALL MODELS

ITEM	DESCRIPTION	PART NO.	QTY.	ITEM	DESCRIPTION	PART NO.	QTY.
25	S.S. Adjustable Tubular Stand 10"-14" (25-36 cm)	R04.08.047.00	2	29	C-Legs Stands, Standard Watt 10" (25 cm) Clearance for Models Up to 6' (183 cm)	R04.08.043.00	2*
26A	End Cover - Power Supply Adjustable Tubular Stand	04.09.060A.00	1	30	C-Legs Stands, High Watt 13-1/2" (34 cm) Clearance	R04.08.071.00	2*
26B	End Cover - Adjustable Tubular Stand	04.09.060B.00	1	31	T-Leg Stands, Standard Watt 10" (25 cm) Clearance	R04.08.076.00	2*
27	Non-Adjustable Tubular Stand, 10" (25 cm)	R00.05.0020.00	2		T-Leg Stands, High Watt, 13-1/2" (34 cm) Clearance	R04.08.075.00	2*
	Non-Adjustable Tubular Stand, 12" (30 cm)	R00.05.0022.00	2		T-Leg Stands, 16" (41 cm) Clearance	R04.08.074.00	2*
	Non-Adjustable Tubular Stand, 14" (36 cm)	R00.05.0024.00	2		T-Leg Stands, 18" (46 cm) Clearance	R04.08.073.00	2*
	Non-Adjustable Tubular Stand, 16" (41 cm)	R00.05.0026.00	2	32	Adjustable Angle Bracket	04.08.050.00	2
28	End Cover - Non-Adjustable Tubular Stand	04.08.061.00	2	33	Chain #12 Sold By the Foot	05.03.021.00	
					Chain #14 Sold By the Foot	05.03.020.00	

NOTE: S.S. is an abbreviation for stainless steel.

* Available only for 120 Volt units, less than 6' (183 cm) in length with a power cord and plug set attached.

Heating Elements and Wire Guards for Models GR, GRA, GRAL - Standard Wattage

ITEM	DESCRIPTION	100V	120V	208V	240V	220E	240E	220-230CE	230-240CE
34	18 Element 250 Watt	---	R02.08.031.00	R02.08.040.00	R02.08.035.00	R02.08.037.00	R02.08.035.00	R02.08.037.00	R02.08.035.00
35	18 Element Wire Guard	---	04.08.039.00	04.08.039.00	04.08.039.00	04.08.039.00	04.08.039.00	04.08.039.00	04.08.039.00
34	24 Element 350 Watt	---	R02.08.001.00	R02.08.002.00	R02.08.003.00	R02.08.041.00	R02.08.003.00	R02.08.041.00	R02.08.003.00
35	24 Element Wire Guard	---	04.08.030.00	04.08.030.00	04.08.030.00	04.08.030.00	04.08.030.00	04.08.030.00	04.08.030.00
34	30 Element 450 Watt	---	R02.08.026.00	R02.08.027.00	R02.08.028.00	R02.08.042.00	R02.08.028.00	R02.08.042.00	R02.08.028.00
35	30 Element Wire Guard	---	04.08.029.00	04.08.029.00	04.08.029.00	04.08.029.00	04.08.029.00	04.08.029.00	04.08.029.00
34	36 Element 575 Watt	---	R02.08.004.00	R02.08.005.00	R02.08.006.00	R02.08.043.00	R02.08.006.00	R02.08.043.00	R02.08.006.00
35	36 Element Wire Guard	---	04.08.031.00	04.08.031.00	04.08.031.00	04.08.031.00	04.08.031.00	04.08.031.00	04.08.031.00
34	42 Element 675 Watt	---	R02.08.007.00	R02.08.008.00	R02.08.009.00	R02.08.039.00	R02.08.009.00	R02.08.039.00	R02.08.009.00
35	42 Element Wire Guard	---	04.08.032.00	04.08.032.00	04.08.032.00	04.08.032.00	04.08.032.00	04.08.032.00	04.08.032.00
34	48 Element 800 Watt	---	R02.08.010.00	R02.08.011.00	R02.08.012.00	R02.08.045.00	R02.08.012.00	R02.08.045.00	R02.08.012.00
35	48 Element Wire Guard	---	04.08.033.00	04.08.033.00	04.08.033.00	04.08.033.00	04.08.033.00	04.08.033.00	04.08.033.00
34	54 Element 925 Watt	---	R02.08.025.00	R02.08.029.00	R02.08.030.00	R02.08.046.00	R02.08.030.00	R02.08.046.00	R02.08.030.00
35	54 Element Wire Guard	---	04.08.038.00	04.08.038.00	04.08.038.00	04.08.038.00	04.08.038.00	04.08.038.00	04.08.038.00
34	60 Element 1050 Watt	---	R02.08.013.00	R02.08.014.00	R02.08.015.00	R02.08.047.00	R02.08.015.00	R02.08.047.00	R02.08.015.00
35	60 Element Wire Guard	---	04.08.034.00	04.08.034.00	04.08.034.00	04.08.034.00	04.08.034.00	04.08.034.00	04.08.034.00
34	66 Element 1160 Watt	---	R02.08.032.00	R02.08.033.00	R02.08.034.00	R02.08.048.00	R02.08.034.00	R02.08.048.00	R02.08.034.00
35	66 Element Wire Guard	---	04.08.040.00	04.08.040.00	04.08.040.00	04.08.040.00	04.08.040.00	04.08.040.00	04.08.040.00
34	72 Element 1275 Watts	---	R02.08.016.00	R02.08.017.00	R02.08.018.00	R02.08.049.00	R02.08.018.00	R02.08.049.00	R02.08.018.00
35	72 Element Wire Guard	---	04.08.035.00	04.08.035.00	04.08.035.00	04.08.035.00	04.08.035.00	04.08.035.00	04.08.035.00
34	84 Element 1500 Watt	---	R02.08.019.00	R02.08.020.00	R02.08.021.00	R02.08.050.00	R02.08.021.00	R02.08.050.00	R02.08.021.00
35	84 Element Wire Guard (Female)	---	04.08.036F.00	04.08.036F.00	04.08.036F.00	04.08.036F.00	04.08.036F.00	04.08.036F.00	04.08.036F.00
35	84 Element Wire Guard (Male)	---	04.08.036M.00	04.08.036M.00	04.08.036M.00	04.08.036M.00	04.08.036M.00	04.08.036M.00	04.08.036M.00
34	GRA-84 1350 Watt (Qty. 2)*	---	R02.08.007.00	---	---	---	---	---	---
35	GRA-84 Wire Guard (Qty. 2)*	---	04.08.032.00	---	---	---	---	---	---
34	96 Element 1725 Watt	---	R02.08.022.00	R02.08.023.00	R02.08.024.00	R02.08.051.00	R02.08.024.00	R02.08.051.00	R02.08.024.00
35	96 Element Wire Guard (Female)	---	04.08.037F.00	04.08.037F.00	04.08.037F.00	04.08.037F.00	04.08.037F.00	04.08.037F.00	04.08.037F.00
35	96 Element Wire Guard (Male)	---	04.08.037M.00	04.08.037M.00	04.08.037M.00	04.08.037M.00	04.08.037M.00	04.08.037M.00	04.08.037M.00
34	GRA-96 1600 Watt (Qty. 2)*	---	R02.08.010.00	---	---	---	---	---	---
35	GRA-96 Wire Guard (Qty. 2)*	---	04.08.033.00	---	---	---	---	---	---
	Electrical Diagram	---	HS1-1442	HS1-1442	HS1-1442	HS1-3164	HS1-3165	HS1-4234	HS1-4235

Shaded area reflects export models only.

*Tandem - Heating elements mounted end to end.

NOTE: Model number is the foodwarmer housing length in inches, not the heating element length.

Heating Elements and Wire Guards for Models GRA and GRAL - Standard Wattage - Tandem Units

ITEM	DESCRIPTION	100V	120V	208V	240V	220E	240E	220-230CE	230-240CE
34	GRA-108 1850 Watt (Qty. 2)⊗	---	R02.08.025.00	R02.08.029.00	R02.08.030.00	R02.08.046.00	R02.08.030.00	---	---
35	GRA-108 Wire Guard (Qty. 2)⊗	---	04.08.038.00	04.08.038.00	04.08.038.00	04.08.038.00	04.08.038.00	---	---
34	GRA-120 2800 Watt (Qty. 2)⊗	---	R02.08.013.00	R02.08.014.00	R02.08.015.00	R02.08.047.00	R02.08.015.00	---	---
35	GRA-120 Wire Guard (Qty. 2)⊗	---	04.08.034.00	04.08.034.00	04.08.034.00	04.08.034.00	04.08.034.00	---	---
34	GRA-132 2320 Watt (Qty.2)⊗	---	R02.08.032.00	R02.08.033.00	R02.08.034.00	R02.08.048.00	R02.08.034.00	---	---
35	GRA-132 Wire Guard (Qty. 2)⊗	---	04.08.040.00	04.08.040.00	04.08.040.00	04.08.040.00	04.08.040.00	---	---
34	GRA-144 2550 Watt (Qty. 2)⊗	---	R02.08.016.00	R02.08.017.00	R02.08.018.00	R02.08.049.00	R02.08.018.00	---	---
35	GRA-144 Wire Guard (Qty. 2)⊗	---	04.08.035.00	04.08.035.00	04.08.035.00	04.08.035.00	04.08.035.00	---	---
	Electrical Diagram	---	HS1-2499	HS1-2499	HS1-2499	HS1-2499	HS1-2499	---	---

Shaded area reflects export models only.

⊗Tandem - Heating elements mounted end to end.

NOTE: Model number is the foodwarmer housing length in inches, not the heating element length.

Heating Elements and Wire Guards for Models GRH, GRAH & GRAHL - High Wattage

ITEM	DESCRIPTION	100V	120V	208V	240V	220E	240E	220-230CE	230-240CE
34	18 Element 350 Watt	R02.08.126.00	R02.08.126.00	R02.08.137.00	R02.08.135.00	R02.08.138.00	R02.08.135.00	R02.08.138.00	R02.08.135.00
35	18 Element Wire Guard	04.08.039.00	04.08.039.00	04.08.039.00	04.08.039.00	04.08.039.00	04.08.089.00	04.08.039.00	04.08.039.00
34	24 Element 500 Watt	R02.08.561.00	R02.08.101.00	R02.08.102.00	R02.08.103.00	R02.08.136.00	R02.08.103.00	R02.08.136.00	R02.08.103.00
35	24 Element Wire Guard	04.08.030.00	04.08.030.00	04.08.030.00	04.08.030.00	04.08.030.00	04.08.030.00	04.08.030.00	04.08.030.00
34	30 Element 660 Watt	R02.08.562.00	R02.08.127.00	R02.08.128.00	R02.08.129.00	R02.08.139.00	R02.08.129.00	R02.08.139.00	R02.08.129.00
35	30 Element Wire Guard	04.08.029.00	04.08.029.00	04.08.029.00	04.08.029.00	04.08.029.00	04.08.029.00	04.08.029.00	04.08.029.00
34	36 Element 800 Watt	R02.08.563.00	R02.08.104.00	R02.08.105.00	R02.08.106.00	R02.08.140.00	R02.08.106.00	R02.08.140.00	R02.08.106.00
35	36 Element Wire Guard	04.08.031.00	04.08.031.00	04.08.031.00	04.08.031.00	04.08.031.00	04.08.031.00	04.08.031.00	04.08.031.00
34	42 Element 950 Watts	R02.08.564.00	R02.08.107.00	R02.08.108.00	R02.08.109.00	R02.08.141.00	R02.08.109.00	R02.08.141.00	R02.08.109.00
35	42 Element Wire Guard	04.08.032.00	04.08.032.00	04.08.032.00	04.08.032.00	04.08.032.00	04.08.032.00	04.08.032.00	04.08.032.00
34	48 Element 1100 Watt	R02.08.566.00	R02.08.110.00	R02.08.111.00	R02.08.112.00	R02.08.142.00	R02.08.112.00	R02.08.142.00	R02.08.112.00
35	48 Element Wire Guard	04.08.033.00	04.08.033.00	04.08.033.00	04.08.033.00	04.08.033.00	04.08.033.00	04.08.033.00	04.08.033.00
34	54 Element 1250 Watt	---	R02.08.125.00	R02.08.130.00	R02.08.131.00	R02.08.143.00	R02.08.131.00	R02.08.143.00	R02.08.131.00
35	54 Element Wire Guard	---	04.08.038.00	04.08.038.00	04.08.038.00	04.08.038.00	04.08.038.00	04.08.038.00	04.08.038.00
34	60 Element 1400 Watt	---	R02.08.113.00	R02.08.114.00	R02.08.115.00	R02.08.144.00	R02.08.115.00	R02.08.144.00	R02.08.115.00
35	60 Element Wire Guard	---	04.08.034.00	04.08.034.00	04.08.034.00	04.08.034.00	04.08.034.00	04.08.034.00	04.08.034.00
34	66 Element 1560 Watt	---	R02.08.132.00	R02.08.133.00	R02.08.134.00	R02.08.145.00	R02.08.134.00	R02.08.145.00	R02.08.134.00
35	66 Element Wire Guard	---	04.08.040.00	04.08.040.00	04.08.040.00	04.08.040.00	04.08.040.00	04.08.040.00	04.08.040.00
34	GRAH-66 1460 Watt✱	---	R02.08.104.00	---	---	---	---	---	---
35	GRAH-66 Wire Guard 36" (91 cm)✱	---	04.08.031.00	---	---	---	---	---	---
34	GRAH-66 Element 30"✱	---	R02.08.127.00	---	---	---	---	---	---
35	GRAH-66 Wire Guard 30" (76 cm)✱	---	04.08.029.00	---	---	---	---	---	---
34	72 Element 1725 Watt	---	R02.08.116.00	R02.08.117.00	R02.08.118.00	R02.08.148.00	R02.08.118.00	R02.08.148.00	R02.08.118.00
35	72 Element Wire Guard	---	04.08.035.00	04.08.035.00	04.08.035.00	04.08.035.00	04.08.035.00	04.08.035.00	04.08.035.00
34	GRAH-72 1600 Watt (Qty. 2)✱	---	R02.08.104.00	---	---	---	---	---	---
35	GRAH-72 Wire Guard (Qty. 2)✱	---	04.08.031.00	---	---	---	---	---	---
34	84 Element 2050 Watt	---	---	R02.08.120.00	R02.08.121.00	R02.08.149.00	R02.08.121.00	R02.08.149.00	R02.08.121.00
35	84 Element Wire Guard (Female)	---	---	04.08.036F.00	04.08.036F.00	04.08.036F.00	04.08.036F.00	04.08.036F.00	04.08.036F.00
35	84 Element Wire Guard (Male)	---	---	04.08.036M.00	04.08.036M.00	04.08.036M.00	04.08.036M.00	04.08.036M.00	04.08.036M.00
34	GRAH-84 1900 Watt (Qty. 2)✱	---	R02.08.107.00	---	---	---	---	---	---
35	GRAH-84 Wire Guard (Qty. 2)✱	---	04.08.032.00	---	---	---	---	---	---
34	96 Element 2400 Watts	---	---	R02.08.123.00	R02.08.124.00	R02.08.150.00	R02.08.124.00	R02.08.150.00	R02.08.124.00
35	96 Element Wire Guard (Female)	---	---	04.08.037F.00	04.08.037F.00	04.08.037F.00	04.08.037F.00	04.08.037F.00	04.08.037F.00
35	96 Element Wire Guard (Male)	---	---	04.08.037M.00	04.08.037M.00	04.08.037M.00	04.08.037M.00	04.08.037M.00	04.08.037M.00
34	GRAH-96 2200 Watt (Qty. 2)✱	---	R02.08.110.00	---	---	---	---	---	---
35	GRAH-96 Wire Guard (Qty. 2)✱	---	04.08.033.00	---	---	---	---	---	---
	Electrical Diagram	---	HS1-1442	HS1-1442	HS1-1442	HS1-3164	HS1-3165	HS1-4234	HS1-4235

Shaded area reflects export models only. **NOTE:** Model number is the foodwarmer housing length in inches, not the heating element length. ✱Tandem - Heating elements mounted end to end.

Heating Elements and Wire Guards for Models GRAH and GRAHL - High Wattage - Tandem Units

ITEM	DESCRIPTION	100V	120V	208V	240V	220E	240E	220-230CE	230-240CE
34	96 2200 Watt (Qty. 2)✘	---	R02.08.110.00	R02.08.111.00	R02.08.112.00	02.08.142.00	R02.08.112.00	---	---
35	96 Wire Guard (Qty. 2)✘	---	04.08.033.00	04.08.033.00	04.08.033.00	04.08.033.00	04.08.033.00	---	---
34	108 2500 Watt (Qty. 2)✘	---	R02.08.125.00	R02.08.130.00	R02.08.131.00	R02.08.143.00	R02.08.131.00	---	---
35	108 Wire Guard (Qty. 2)✘	---	04.08.038.00	04.08.038.00	04.08.038.00	04.08.038.00	04.08.038.00	---	---
34	120 2800 Watt (Qty.2)✘	---	R02.08.113.00	R02.08.114.00	R02.08.115.00	R02.08.144.00	R02.08.115.00	---	---
35	120 Wire Guard (Qty. 2)✘	---	04.08.034.00	04.08.034.00	04.08.034.00	04.08.034.00	04.08.034.00	---	---
34	132 3120 Watt (Qty. 2)✘	---	R02.08.132.00	R02.08.133.00	R02.08.134.00	R02.08.145.00	R02.08.134.00	---	---
35	132 Wire Guard (Qty. 2)✘	---	04.08.040.00	04.08.040.00	04.08.040.00	04.08.040.00	04.08.040.00	---	---
34	144 3450 Watt (Qty. 2)✘	---	R02.08.116.00	R02.08.117.00	R02.08.118.00	R02.08.148.00	R02.08.118.00	---	---
35	144 Wire Guard (Qty. 2)✘	---	04.08.035.00	04.08.035.00	04.08.035.00	04.08.035.00	04.08.035.00	---	---
	Electrical Diagram	---	HS1-3059	HS1-3059	HS1-3059	HS1-3059	HS1-3059	---	---

Shaded area reflects export models only.

✘Tandem - Heating elements mounted end to end.

NOTE: Model number is the foodwarmer housing length in inches, not the heating element length.

Breath Protectors For All GRA, GRAL, GRAH, GRAHL Models (Not Retrofittable)

ITEM	DESCRIPTION	PART NO.	QTY.	ITEM	DESCRIPTION	PART NO.	QTY.
36	Model 18	R00.05.0100.00	1-2	36	Model 54	R04.12.045.00	1-2
36	Model 24	R04.12.040.00	1-2	36	Model 60	R04.12.046.00	1-2
36	Model 30	R04.12.041.00	1-2	36	Model 66	R04.12.047.00	1-2
36	Model 36	R04.12.042.00	1-2	36	Model 72	R04.12.048.00	1-2
36	Model 42	R04.12.043.00	1-2	36	Model 84	R04.12.061.00	1-2
36	Model 48	R04.12.044.00	1-2	36	Model 96	R04.12.062.00	1-2

NOTE: Not available for GR or GRH Models.

NOTE: Replacement breath protectors include all mounting hardware.

