

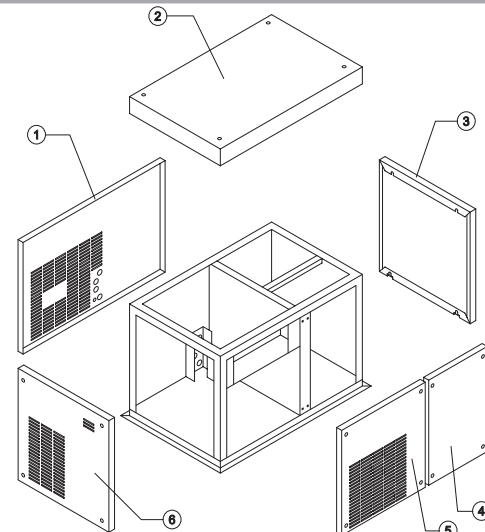


MUSTER 350

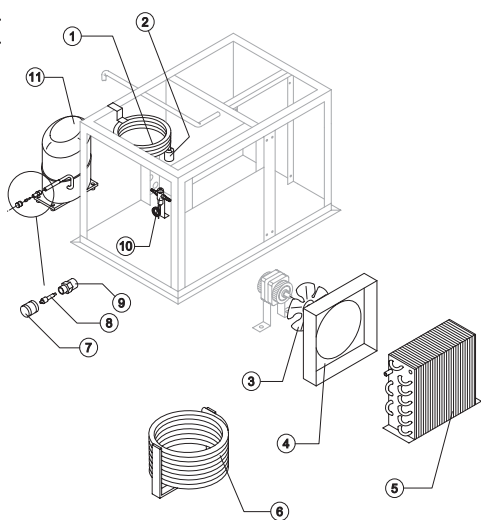
LIST OF THE EXPLODED VIEWS



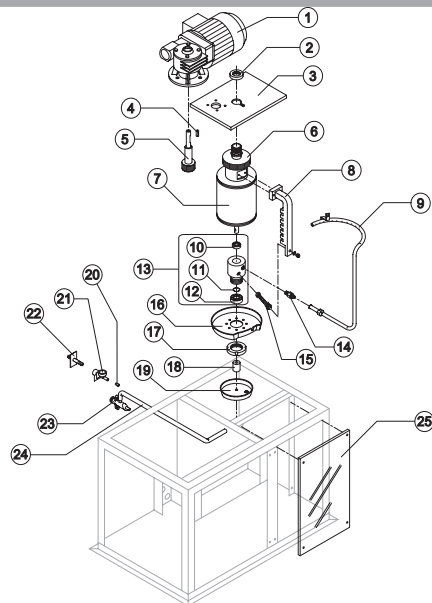
SHELL ASSY



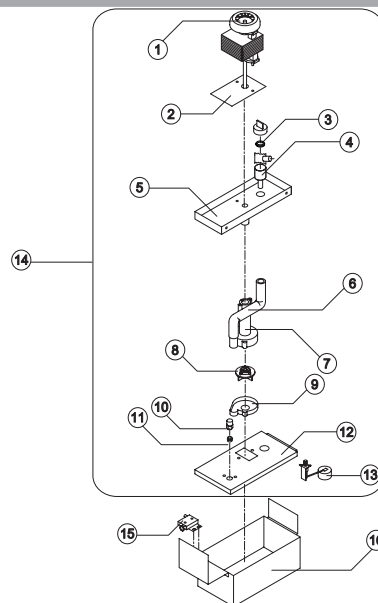
COOLING SYSTEM



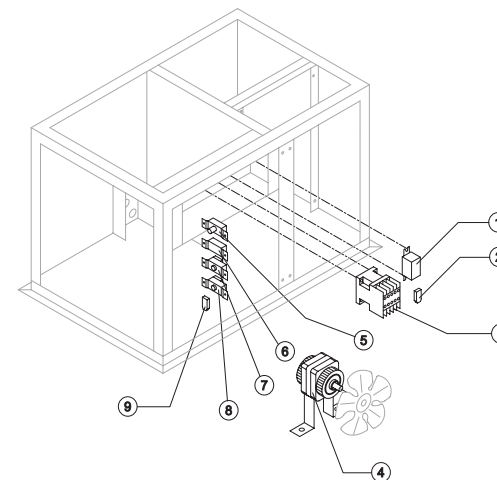
EVAPORATOR



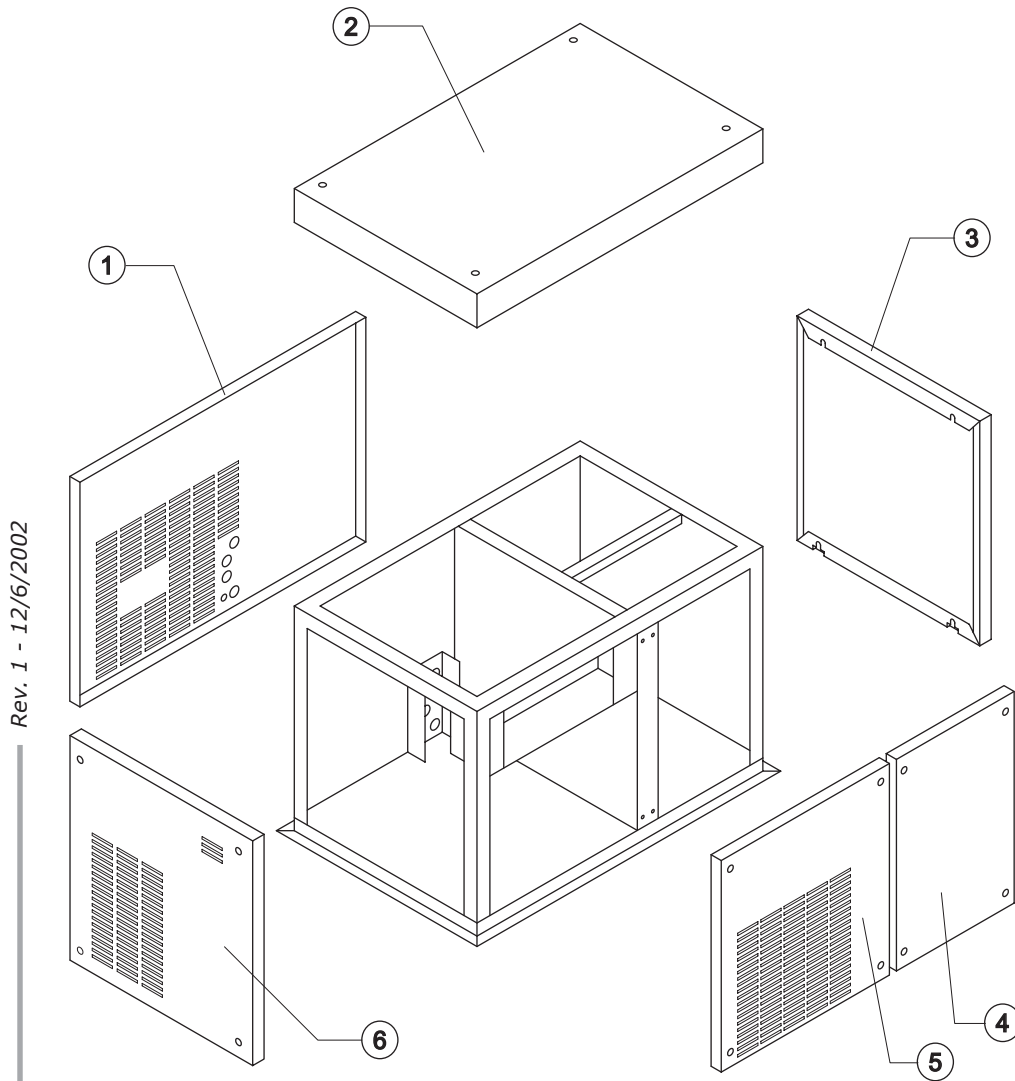
PUMP



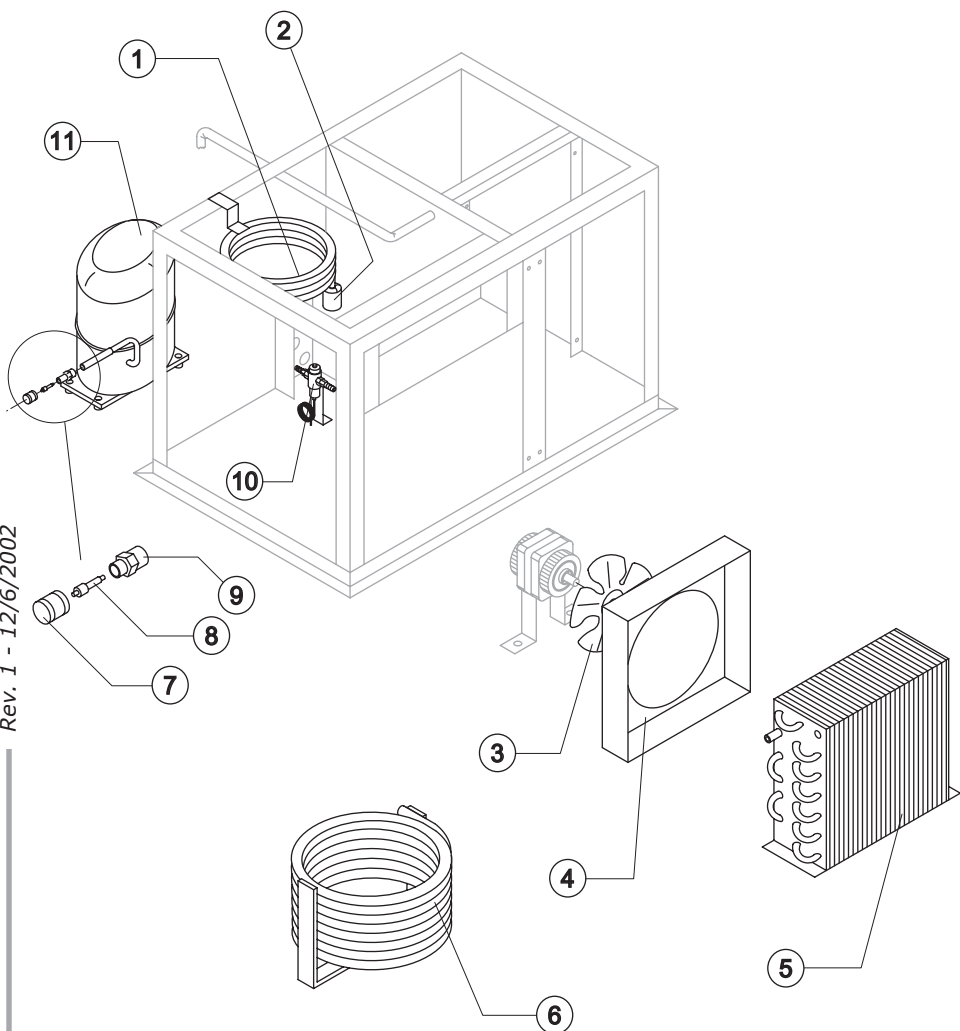
ELECTRIC PARTS



Rev. 1 - 12/6/2002



Ref.	Spare Description	Code
1	Back Panel	22427
2	Top Assembly	C22422
3	Right Side	22425
4	Front Panel Assy (Evaporator Side)	C22424B
5	Front Panel (Condenser Side)	C22423
6	Left Side	22426



Rev. 1 - 12/6/2002

Common Parts

Ref.	Spare Description	Code
2	Solid Core Drier	14084
7	Vacuum-Charge Valve Plug	14006
8	Vacuum-Charge Valve Device	14005
9	Vacuum-Charge Valve Body	14007
10	Pressure Valve	20149
11	Compressor	See Table -

Parts for Water-Cooled Version Only

Ref.	Spare Description	Code
3	Suction Fan	20095
6	Water Condenser	14285

Parts for Air/Water-Cooled Version Only

Ref.	Spare Description	Code
1	Water Condenser	14014
3	Suction Fan 275-34°	20153
4	Conveyor	10238
5	Air Condenser	Current Version 20651
5	Air Condenser	Till s/n. 43383 20148

Ref. 11- Compressor

Tension		Code
220/240V 50 Hz	Current Version	23514
220/240V 50 Hz	Till s/n. 34204	23448
220/230V 60 Hz	Current Version	23515
220/230V 60 Hz	Till s/n. 33908	23460
230V 3 50 Hz		23564
400V 3N 50 Hz	Current Version	23516
400V 3N 50 Hz	Till s/n. 34204	23450
220/230V 3 60 Hz		23564



Common Parts

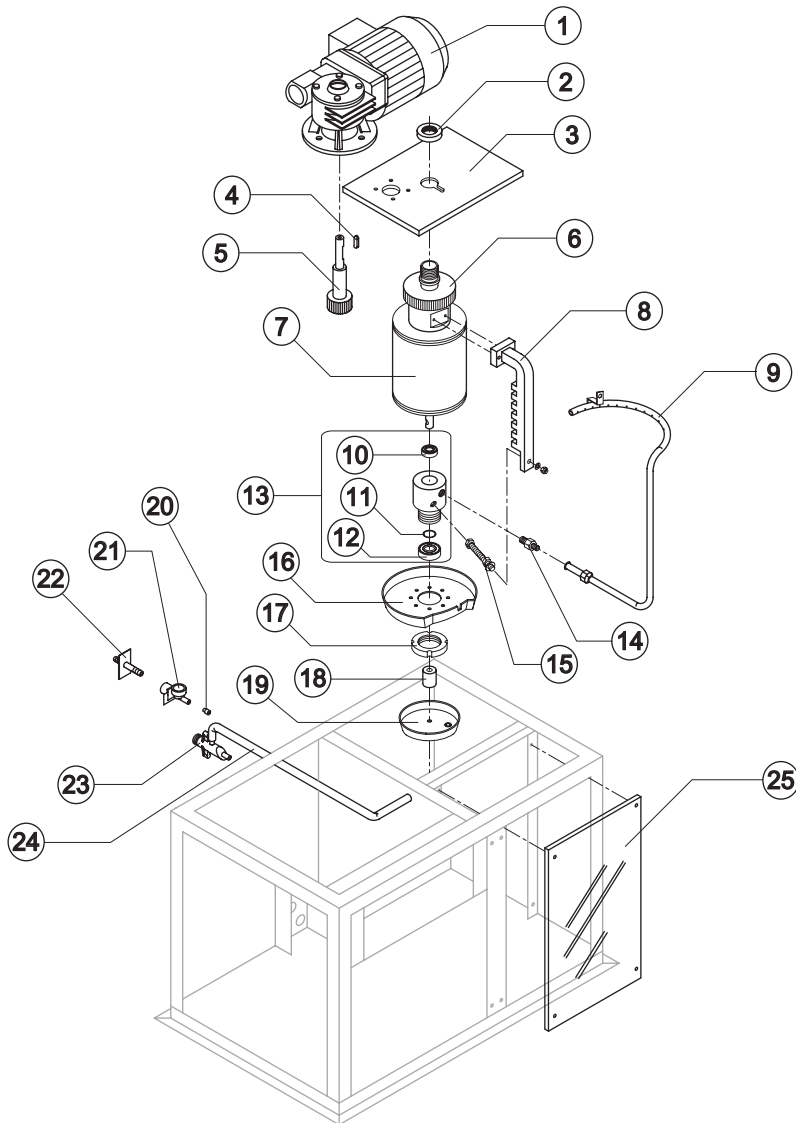
Ref.	Spare Description	Code
1	Gearmotor Assy	C23363
2	Ring Nut for Cylinder Locking	20324
3	Evaporator Support Plate	20356
4	Key 6x6x40	20350
5	Pinion with Shaft for Gearmotor	20344
6	Crown Gear	20354
7	Evaporator	C11059
8	Knife	E20330
9	Spray Ring	C20319
10	Upper INOX Bearing	20531
11	Silicone OR 4081 Ring	20338
12	INOX Bearing	20045
13	Complete Rotary Ring	C10180
14	Joint	20335
15	M8 Tie Rod (to Block Knife)	20329
16	Rotary Basin	10184
17	Ring Nut for Rotary Ring	10182
18	Spacer	20321
19	Fixed Basin	C10185
21	1 Way Inlet Water Nipple	10239
24	Overflow Pipe	13082
25	Screen Evaporator Chamber	10187

Parts for Air-Cooled Version Only

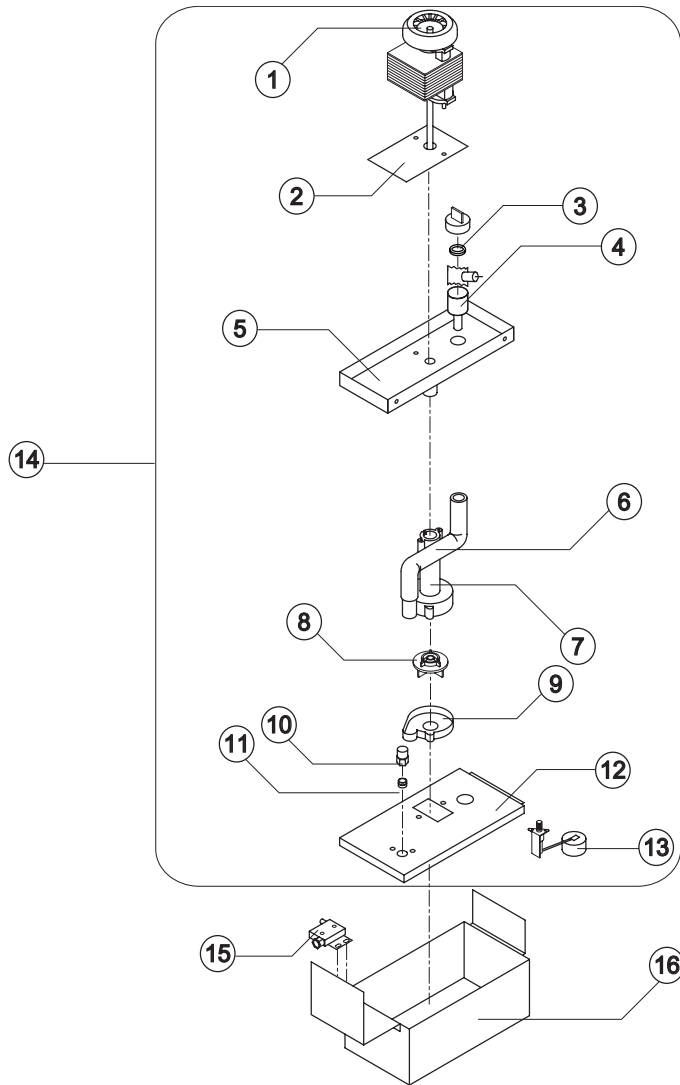
Ref.	Spare Description	Code
22	Rubber Holder with Plate	C20462
23	Discharges Manifold	C10052

Parts for Air/Water-Cooled Version Only

Ref.	Spare Description	Code
20	Flow Control It. 1,2 for Inlet Water Connector	10011
23	Discharges Manifold	C10053



Rev. 1 - 12/6/2002



Common Parts

Ref.	Spare Description	Code
1	Pump Motor	See Table
2	Heat Dissipator	22430
3	Pump Filter Gasket	13080
4	Filtering Element	20254
5	Pump Motor Holder	10161
6	Pump-Filter Fitting Pipe	13084
7	Pump Body	10065
8	Pump Impeller	10138
9	Diffuser	10067
10	Nut	20404
11	Bush	20405
12	Water Pump Basin Cover	22420
13	Floating Valve	10188
14	Pump and Filter Assy	See Table
15	Microswitch for Overflow Ice	23373
16	Water Pump Basin	C22419

Ref. 1 - Pump Motor

Tension	Code
220-240V 50 Hz	23073
220-230V 60 Hz	23187
230V 3 50 Hz	23073
400V 3N 50 Hz	23073
220-230V 3 60 Hz	23187

Ref. 14 - Pump and Filter Assy

Tension	Code
220-240V 50 Hz	C26557
220-230V 60 Hz	C26712
230V 3 50 Hz	C26557
400V 3N 50 Hz	C26557
220-230V 3 60 Hz	C26712



Common Parts

Ref.	Spare Description	Code
1	Relay	23190
2	Anti Radio Interference Filter	See Table
3	Contactur	23147
5	Safety Pressure Switch (Maximum Pressure)	23342
7	Safety Thermostat	23447
8	Bin Thermostat	23005

Parts for Water-Cooled Version Only

Ref.	Spare Description	Code
4	Fan Motor	23029

Parts for Air/Water-Cooled Version Only

Ref.	Spare Description	Code
4	Fan Motor	23121
6	Condenser Pressure	23175
9	Anti Radio Interference Filter	See Table

Ref. 2 - Anti Radio Interference Filter

Tension	Code
220-240V 50 Hz	23458
400V 3N 50 Hz	23458

Ref. 9 - Anti Radio Interference Filter

Tension	Code
220-240V 50 Hz	23459
400V 3N 50 Hz	23459

Rev. 1 - 12/6/2002

