

Zie/See/Siehe/Noyez
 Drawing nr. P30003 page 2/2

Modify :
 Drawer : A.V.
 Date : 28-04-1995
 Checked :

Revision nr :
 Revision date :

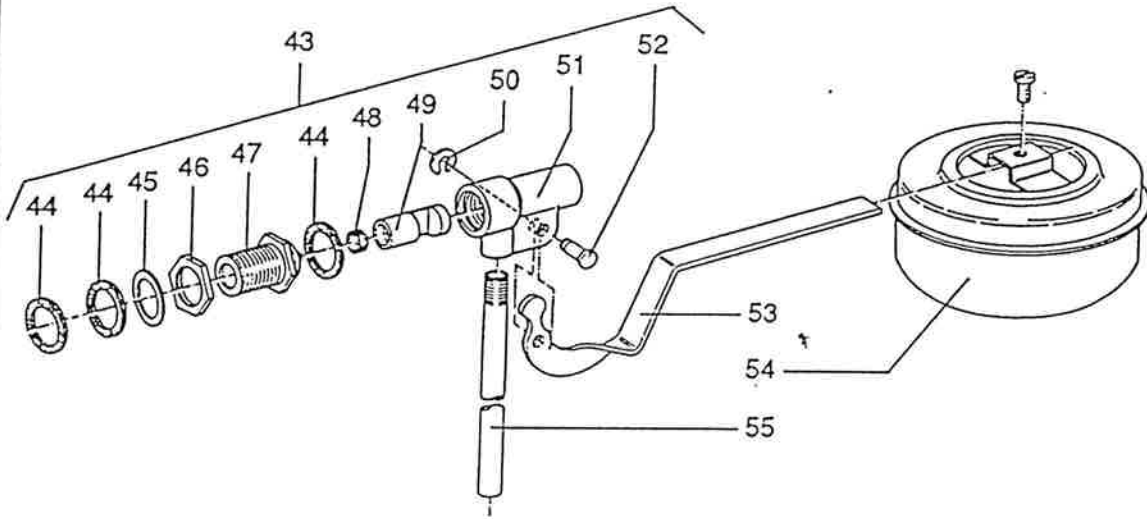
Nr. of pages : 1/2
 Drawing nr. : P30003

Animo
 Amerfoort/Assen

EXPLODED VIEW

Rated voltage : 3N~ 380-415V 50-60Hz

Typ : WKI - 80 LITER VA 30003
 From mach.nr : 2E09821
 Date : 05/95



Modify :

Drawer : A.V.

Date : 28-04-1995

Checked : *[Signature]*

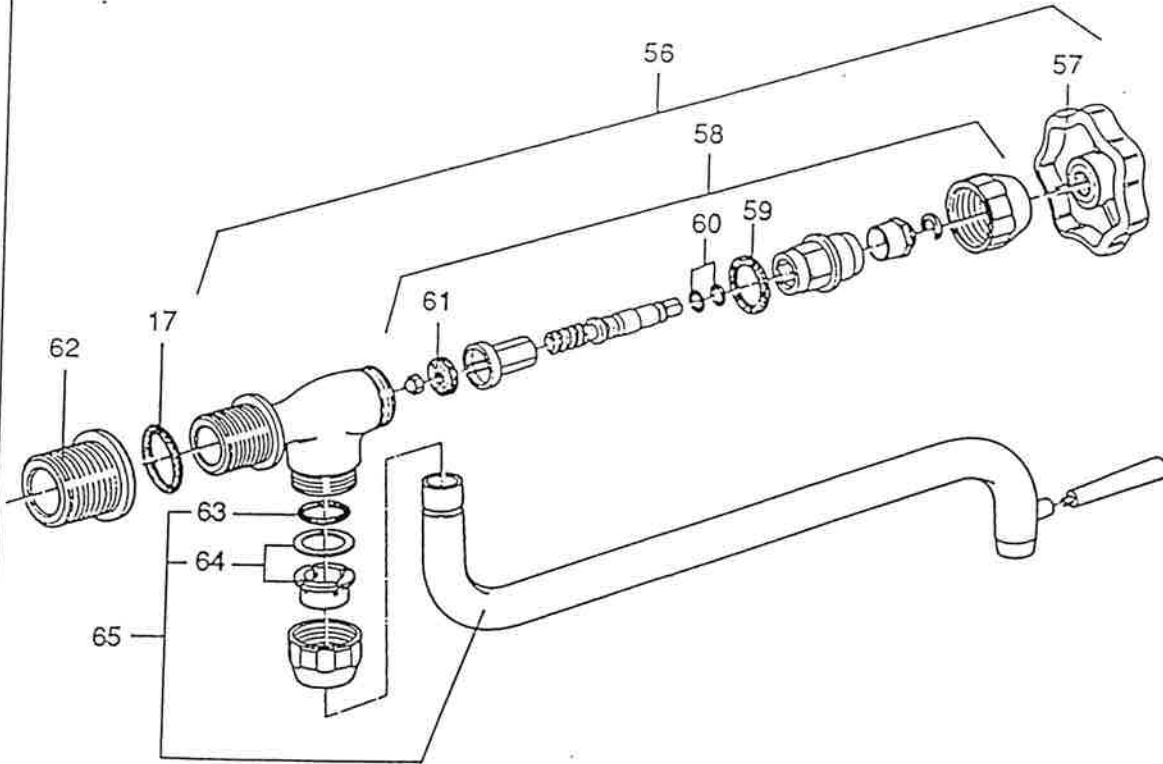
Revision nr :
Revision date :

Nr. of pages : 2/2
Drawing nr. : P30003

Animo
Amersfoort/Assen

EXPLODED VIEW

Rated voltage : 3N ~ 380-415V 50-60Hz



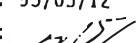
Typ : WKI - 80 LITER VA 30003

From mach.nr : 2E09821

Date : 05/95

Code	ArtikelNr	Omschrijving	Description	Beschreibung	Designation
01	34156	ONTLUCIINGSVENTIEL WKI	AIR RELEASE VALVE WKI	ENTLUFTUNGSVENTIL WKI	D'ECHEPPEMENT D'AIR WKI
02	34216	DEKSEL WKI 80	COVER WKI 80	DECKEL WKI 80	COUVERCLE WKI 80
03	08070	O-RING 330x4mm	O-RING FOR LID IIK 60/100	O-RING FUER DECKEL IIK 60/100	O-ANNEAU POUR COUVERCLE
04	34300	DOPJE PEILGLAS BESCHERMER PROD	GAUGE GLASS CAP	KAPPE SCHIJETZHUUELZE	BOUCHON DU PROTECTEUR
05	34133	PEILGLAS BESCH CPL WKI80 L=684	G.G. PROTECTOR CPL WKI80 L=684	S.SCHIUTZHUELSE KPL WKI80 L=684	PROT.DE TUBE DE NIV.WKI80 L684
06	05246	PEILGLASHOUDER VLGS TEK 0-36-2	GAUGE GLASS HOLDER	SCHAUGLASHALTER	PORTE JAUGE
07	34132	PEILGLAS CPL WKI 80 L=690	GAUGE GLASS CPL WKI 80 L=690	SCHAUGLAS KPL WKI 80 L=690	TUBE DE NIV. WKI 80 L=690
08	08067	INDEX WKI 80	LITRE-INDEX WKT 25	LITERSKALA WKT 25	ECHELLE GRADUEE WKT 25
08	08072	INDEX WKI 80 MIDDEN 30-60	LITRE-INDEX WKI 80 30-60	LITERSKALA KWG 80	ECHELLE GRADUEE WKI 80
08	08073	INDEX WKI 80 BOVEN 60-100	LITRE-INDEX WKI 80 60-100	LITERSKALA KWG 80	ECHELLE GRADUEE WKI 80
09	34129	PEILGLASHOEKLIJN WKI 80	ST.ST.STRIP FOR INDEX WKI 80	ED.ST.STRETFEH FUR SKALA WKI80	INOX BANDE POUR INDEX WKI 80
10	07097	MOER MESS 1/2" CHR SLW24 CONNE	NUT 1/2" BRASS CHR	HUTTER 1/2" MESSING CHR.	ECROU 1/2" LAITON CHR.
11	08041	PAKKINGRING 25x21 x 2 FIBER	FIBRE RING 25x21x2mm FIBER	DICHTUNG 25x21x2mm FIBER	BOURRAGE 25x21x2mm FIBER
12	34127	OVERLOOPIJP WKI 80	OVERFLOW PIPE WKI80	UEBERLAUFROHR WKI80	CONDUITE DE DEVERSOIR WKI 80
13	04007	SPINDEL+HANDHIEL KRA/PGL 54115	SPIN.+HANDH.TAP LEV.GAU.04006	SPIND.+HANDR.HAINN/SCH.GL.04006	BRO.+VOL. DE MAN.ROB./JA.04006
14	04023	O-RING PEILGLASAANSLUITING	GAUGE GLASS O-RING	SCHAUGLAS O-RING	JOINT POUR TUBE DE NIVEAU
15	54113-K	KRAANSTUK 1/2x15x3/8 PLGL CHR	GAUGE GLASS TAP BODY	ECKVENTIL MIT SCHAUGL.AHSL.	ROBINET DE TUBE DE NIVEAU
16	54115	KRAAN PEILGLAS CPL WKI	GAUGE GLASS CPL WKI	ECKVENTIL M.SCHAUGL. KPL WKI	ROBINET DE TUBE DE NIV.CPL WKI
17	04070	O-RING 25.5x18.5x3.5	O-RING 25.5x18.5x3.5	O-RING 25.5x18.5x3.5	O-RING 25.5x18.5x3.5
18	34168-K	SIERRING ROZET CHR	ORNAMENTAL RING CHROME	ZIERRING CHR.	BAGUE ORNAMENTALE CHR.
19	07081	AFDICHTPLUG MESS 3/4u SH30 TRH	DRAIN PLUG 3/4" BRASS	STOPFEN 3/4" MESSING SH30	FICHE 3/4" LAITON
20	08044	PAKKINGRING 32x26.5x 3 FIBER	PACKING 32x26.5x3 FIBER	DICHTUNG 32x26.5x3 FIBER	BOURRAGE 32x26.5x3 FIBER
21	02354	KABELTREKONTLASTER Z-KLEMMEN	CABLE INLET	KABELEINFUEHRUNG	ENTREE DE CABLE
22	08150	AFDICHTINGSSTOP TYPE DP 437	PLUG	STOPFEN	BOUCHON
23	04075	OVERLOOPTRECHTER NO.215	OVERFLOW FUNNEL NO.215	UEBERLAUFTRICHTER	ETONNOIR DE TROP PLEIN
24	34217	BODEM WKI 80	BOTTOM LID WKI 80	BODEN DECKEL WKI 80	SOUSFOND WKI 80
25	07071	AFTAPPLUG 3/4"xM6 MESS.	DRAIN PLUG 3/4"xM6 BRASS	ABLASSTOPFEN 3/4"xM6 MESSING	BOUCHON DE DRAINAGE 3/4"xM6 J
26	04030	KRAAN ONDERAFTAP 3/4X3/4 WKI	TAP VALVE 3/4X3/4 WKI	VENTILHAINN 3/4X3/4 WKI	ROBINET DE SOUPAPE 3/4X3/4 WKI
28	07024	NIPPEL MESS 3/4u L=20	SMOOTH STRAIGHT NIP.3/4x20BRASS	GLAT.RECHT.NIPPEL3/4x20 MESS	DOUILLE DROIT 3/4"x20 JAUNE

Type : WKI 80 L VA 30003
From mach.nr.: 2E09821
Date : 95/05/12

Drawer : MT
Date : 95/05/12
Checked : 

Modify :

Rated voltage : 3H 380-415V 50-60Hz

PARTS LIST

***** A H I M O *****

Amersfoort

Assen

Drawing nr. : M30003

Revision nr. : 0

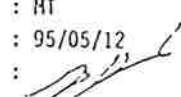
Revision date : 950508

Code	Artikelnr	Omschrijving	Description	Beschreibung	Designation
29	07142	NIPPEL MESS 1/2x3/8u	DIMINISHING HIP.1/2"x3/8" BRASS	REDUZIERNIPPEL 1/2"x3/8" MESS.	RACCORD A VIS 1/2"x3/8" JAUNE
30	04086	VUILFILTER CPL CHR WKI	FILTER CPL CHR WKI	FILTER CPL CHR WKI	FILTRE CPL CHR WKI
31	07221	MESS.STAARTSTUK FI-10/100-1-16	TAIL PIECE 3/8" BRASS CHR.	SCHWANSST. 3/8" MESS.CHR.	QUEUE 3/8" LAITON CHR.
32	07259	MOER MESS SPEC VERHOOGDE POS.B	NUT 3/4" BRASS CHR. FOR 07221	MUTTER 3/4"MESS.CHR FUER 07221	ECROU 3/4" CHR. POUR 07221
33	08040	PAKKINGRING 24x16 x 2 FIBER	FIBRE RING 24x16x2mm FIBER	DICHTUNG 24x16x2mm FIBER	BOURRAGE 24x16x2mm FIBER
34	34507-K	SIERRING THERMOSTAAT R=191 CHR	ORNAMENTAL RING TH.STAT. R=191	ZIERRING FUER THERMOSTAT R=191	ANNEAU DECORAT.THERMOST. R=191
35	07094	KADELINV.WARTEL 1" 28X15	CABLE INLET 1" 28x15	KABELEINFUERING 1" 28x15	CABLE MERILLON 1" 28x15
35	07099	MOER MESS NICKEL 1" TBV 07094	NUT 1" FOR 07094	MUTTER 1" FUER 07094	ECROU 1" POUR 07094
36	34128	WATERTOEOVERPIJP WKI 80	WATER SUPPLY PIPE WKI 80	WASSERZULAUFROHR KWG 80	TUYAU D'ARRIVEE D'EAU WKI 80
37	07231	BESCHERMDOOPJE M8x1 TBV DROOGK	PROTECTING CASE M8x1 BLACK	SCHUTZKAPPE M8x1 SCHWARZ	PROTEGE THERMOSTAT M8x1 NOIR
38	06287	BLADVEER RVS 6/6	PLATE SPRING ST.ST.6/6	BLATTFEDER EDELS. 6/6	LAME METALLIQUE INOX 6/6
39	06336	BLADVEER RVS 8/3-6/3	PLATE SPRING ST.ST. 8/3-6/3	BLATTFEDER EDELS. 8/3-6/3	LAME METALLIQUE INOX 8/3-6/3
40	03040	KNOP THERMOSTAAT 30-100C 03090	KNOB OF THERMOSTAT (03090)	THERMOSTATKNOFF (03090)	BOUTON DE THERMOSTAT (03090)
41	08267	BUS NYLON 6.2x10x5	SPACER NYLON 6.2x10x5	DISTANZHUELS POLYAM. 6.2x10x5	ENTRETOISES NYLON 6.2x10x5
42	03045	THERMOMETER 0-100 C WKI/T	THERMOMETER 1/4"	THERMOMETER 1/4"	THERMOMETRE 1/4"
43	39200	VLOTTERKRAAN CPL WKI/WKT	FLOATING MECH.VALVE CPL.WKI/T	SCHWIMMERHAHN KPL WKI/WKT	MECH. FLOTTEUR CPL. WKI/WKT
44	08047	PAKKINGRING 22x17 x 1.5 FIBER	PACKING 22x17x1.5 FIBER	DICHTUNG 22x17x1.5mm FIBER	BOURRAGE 22x17x1.5 FIBER
45	34175-K	SLUITRING MESS 23x17x1.5 CHR	WASCHER BRASS 23x17x1.5 CHR.	UNTERLEGESCH. 23x17x1.5 CHR.	RONDELLE LAITON 23x17x1.5 CHR.
46	34772-K	MOER 3/8" x 4 MESS CHR	NUT 3/8" x 4 BRASS CHR.	MUTTER 3/8" x 4 MESS. CHR.	ECROU 3/8" x 4 JAUNE CHR.
47	34780-K	VLOTTERKRAAN INSPUITER MES NIK	INJECTION FL.MECH.BRASS NICKEL	EINSPRITZER SCHW.MECH.MESS. NI	INJECTION SUP.FLOT.LAITON NI
48	08022	VLOTTERRUBBER 5mm SILICONEN	FLOAT RUBBER 5mm SILICON	SCHWIMMERGUMMI 5mm SILIKONEN*	JOINT 5mm SILICON
49	04050	VLOTTERKRAAN RUBBERHOUDERKLEP	FLOAT VALVE	SCHWIMMERVENTIL	SOUPAPE DE FLOTTEUR
50	04049	VLOTTERKRAAN ASBORGRING	SAFETY RING FOR 04048	SICHERUNGSRING FUER 04048	ANNEAU DE SECURITE POUR 04048
51	34770-K	VLOTTERKRAAN HUIS MESS NIK	FLOATING MECH. HOUSE BRASS NI	SCHWIMMERGEHAUSE MESS. NICKEL	BOISSEAU DE FLOTTEUR LAITON NI
52	34771-K	VLOTTERKRAAN ASJE MESS NIK	FLOATING MECH. AXIS BRASS NI	SCHWIMMER MECH. ACHSE MESS.NI	MECH.FLOTTEUR AXE LAITON NI
53	34752-K	VLOTTERARM WKI 80 L=355 NIK	FLOATING ARM WKI 80 L=355 NI	SCHWIMMERARM WKI 80 L=355 NI	BRAS DE FLOTT. WKI 80 L=355 NI
54	34758	VLOTTERBAL WKI GEGLOEID CPL	FLOATING BALL WKI/WKT	SCHWIMMERBALL WKI/WKT	BALLE DE FLOTTEUR WKI/WKT
55	34777-K	VLOTTERPIJP L= 600 MESS NIK	WATERSUPPLY PIPE L=600 NICKEL	WASSEREINLAUFROHR L=600 NICKEL	TUYAU D'EAU L=600 LAITON NI
56	04140	KRAAN KURI 3/4 tbv WKI	KURITAP 3/4 WKI	ZAPFHAIHN 3/4 WKI	ROBINET KURI 3/4 WKI

Type : WKI 80 L VA 30003
From mach.nr.: 2E09821
Date : 95/05/12

Drawer : HT

Date : 95/05/12

Checked : 

Modify :

Rated voltage : 3N~ 380-415V 50-60Hz

PARTS LIST

***** ANIMO *****

Amersfoort

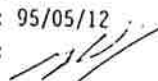
Assen

Drawing nr. : M30003

Revision nr. : 0

Revision date : 950508

Code	Artikelnr	Omschrijving	Description	Beschreibung	Designation
57	04004	HANDWIEL KURI 04002+04140 WKI	VAL.HANDW.KURI 04002+04140 WKI	VEN.HANDR.KURI 04002+04140 WKI	VOL.DE MAN.KURIO4002+04140 WKI
58	04003	SPINDEL KURI 04002+04140 WKI	SPINDLE KURI 04002+04140 WKI	SPINDEL KURI 04002+04140 WKI	BROCHE KURI 04002+04140 WKI
59	04191	PAKKINGRING 24x20 x 2 FIBER	GASKET RING SPINDLE KURITAP	DICHTUNGSRING SPINDEL ZAPFHAIH	ANNEAU JOINT BROCHE ROBI.KURI
60	04113	O-RING 8x4.4x1.8	O-RING 8x4.4x1.8	O-RING 8x4.4x1.8	O-ANNEAU 8x4.4x1.8
61	04028	KRAANLEERTJE KURI 04002/04140	TAPLEATH.KURI-TAP 04002/04140	DICHTUNG KURI-HAIH 04002/04140	TAN.DE ROB.KURI 04002/04140
62	54161	AANSLUITSTUK 1"x3/4" NIK	DIMINISHING NIPP.1"x3/4"NICKEL	REDUKTIONSHIPPEL 1"x3/4"NICKEL	MAMELON DE REDU. 1"x3/4"NICKEL
63	04080	O-RING GROOT V/GROTEKRAAN	O-RING LARGE FOR LARGE TAP	O-RING GROSS V/GROSSE HAIH	O-ANNEAU GRAND POUR ROBINET GR
64	04087	KLEMRING KURI KUHST 04002/4140	GASKET SWIVEL ARM 04002/4140	KLEMRING 04002/4140	JOINT BEC.VER.ORIE 04002/4140
65	04054	ZWENKARM S-MODEL 16x330mm	SWIVEL-ARM 330mm S-MODEL	SCHWENKAUSLAUF 330mm S-MODELL	BEC VERSEUR 330mm S-MODELE

Type : WKI 80 L VA 30003	Drawer : MT	Modify :
From mach.nr.: 2E09821	Date : 95/05/12	
Date : 95/05/12	Checked : 	

Rated voltage : 3N~ 380-415V 50-60Hz	PARTS LIST	***** ANIMO ***** Amersfoort Assen	Nr. of pages : 3 Drawing nr. : M30003	Revision nr. : 0 Revision date : 950508
--------------------------------------	------------	---------------------------------------	--	--

Code	ArtikeINr	Omschrijving	Description	Beschreibung	Designation
E1	03022	EL.WATER 3200W WKI/MW(R) 230V	ELEMENT 3200W WKI/MW(R) 230V	HEIZKOERPER 3200W WKI/MW(R)230	RESISTANCE 3200W WKI/MW(R)230
K1	02013	MAGN.SCH B6-16A 220V50/60Hz	RELAY B6-16A 220V50/60Hz	MAGN.SCHALTER B6-16A 220V5/6Hz	RELAIS B6-16A 220V50/60Hz
S1	02117	SCHAKELAAR WIP 1P GR	E SWITCH 1P GREEN SOLE	SCHALTER 1P GRUEN E	INTERRUPTEUR 1P VERT S
S2	02118	SCHAKELAAR WIP 1P OR	E SWITCH 1P ORANGE SOLE	SCHALTER 1P ORANGE E	INTERRUPTEUR 1P ORANGE SIMLE
S3	03090	THERMOSTAAT 0-100 WKI/MWR	THERMOSTAT WKI	THERMOSTAT WKI	THERMOSTAT WKI
S4	03093	DROOGKOOKBEV. B-SERIE	DRY-BOIL PROTECTION	TROCKENGEHSCHUTZ 16 (4) 380V	SECURITE CONTRE CHAUFFE A SEC
W1	02253	AANSLN 5x4 2.00m	CABLE WITH PLUG 5x4 2m	ANSCHLUSSKABEL 5x4 2m	CORDON D'ALIMENTATION 5x4 2m
X1	02039	NYLON NULKLEM A21/2	NYLON NULKLEM A21/2	KONTAKTKLOTZ 1-POLIG FC/DWI	
Y1	02108	MAGNV SPOEL 220/240V 50/60Hz S	SOLEN.COIL 220-240 50/60HZ S	MAGN.V.SPULE 220-240V 50/60HzS	BOBINE ELECTROV.220-240V 5060S
Y2	02019	MAGNV WKI MESS 220/240-50/60 S	SOLENOID WKI 220-240 50/60Hz	MAGNETVENT WKI 220-240 50-60Hz	ELECTROV. WKI 220-240 50-60Hz

Type : WKI 80 LITER 30003	Drawer : MT	Modify :
From mach.nr.: 74928	Date : 93/12/06	
Date : 85/01/01	Checked :	
Rated voltage : 3N~380V 50/60Hz	PARTS LIST	***** ANIMO *****
	Amersfoort Assen	Nr. of pages : 1
		Drawing nr. : E30003
		Revision nr. :
		Revision date : 931206