

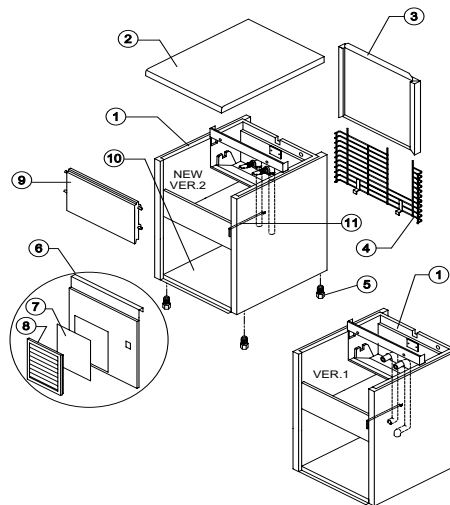


CB 249

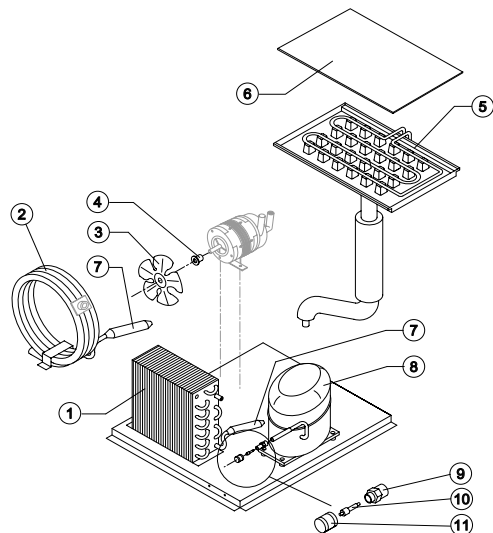
LIST OF THE EXPLODED VIEWS



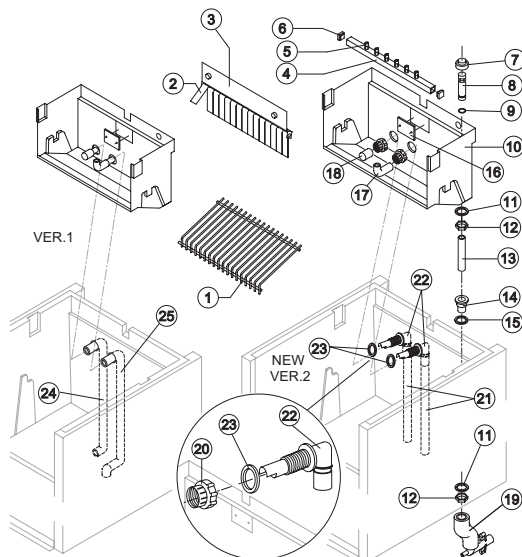
SHELL ASSY



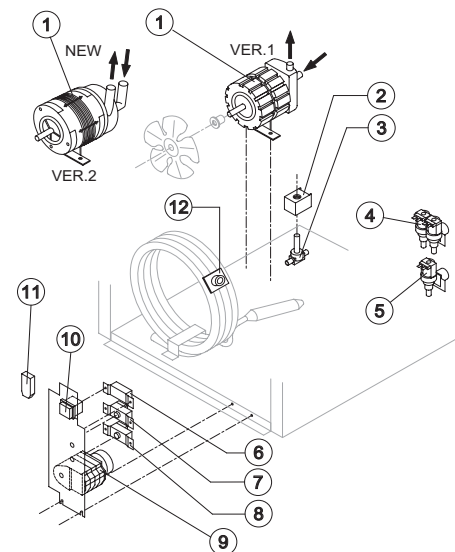
COOLING SYSTEM



HYDRAULIC CIRCUIT



ELECTRIC PARTS

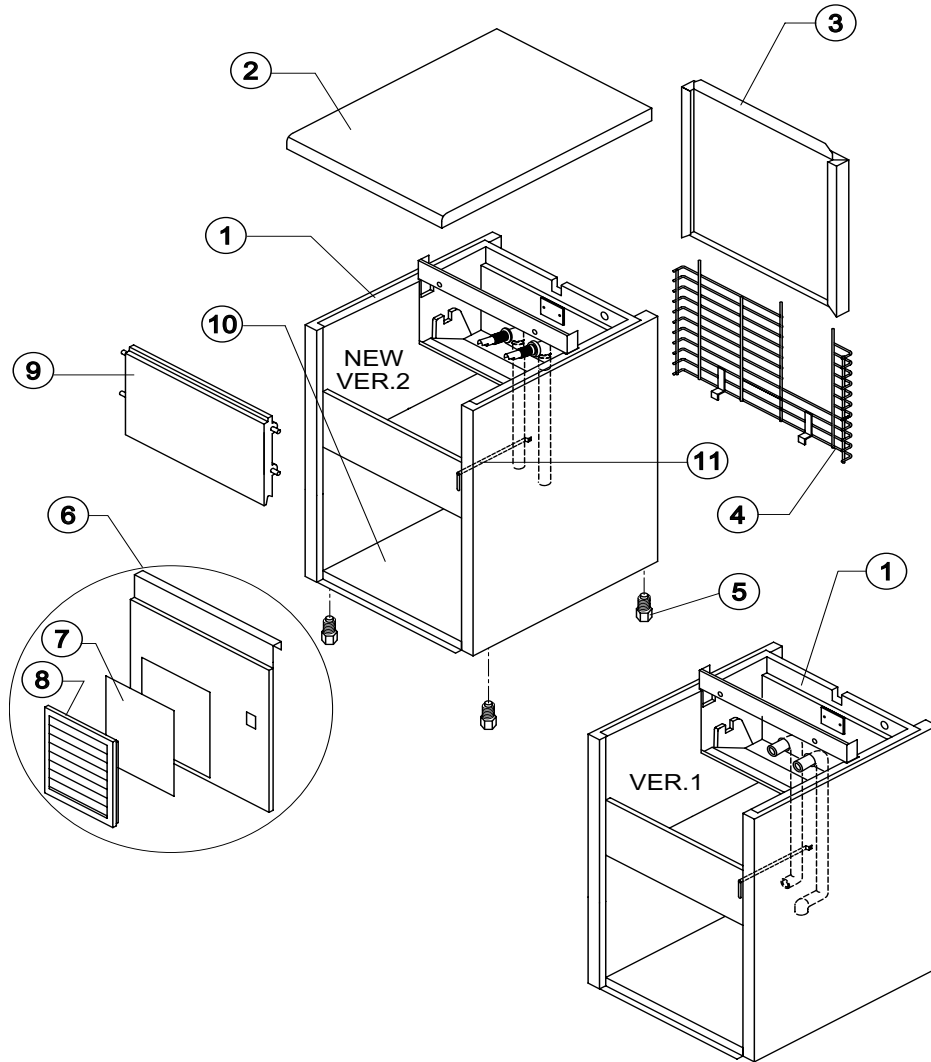


Rev.2 - 10/2/2003



CB 249

SHELL ASSY



Rev.2 - 10/2/2003

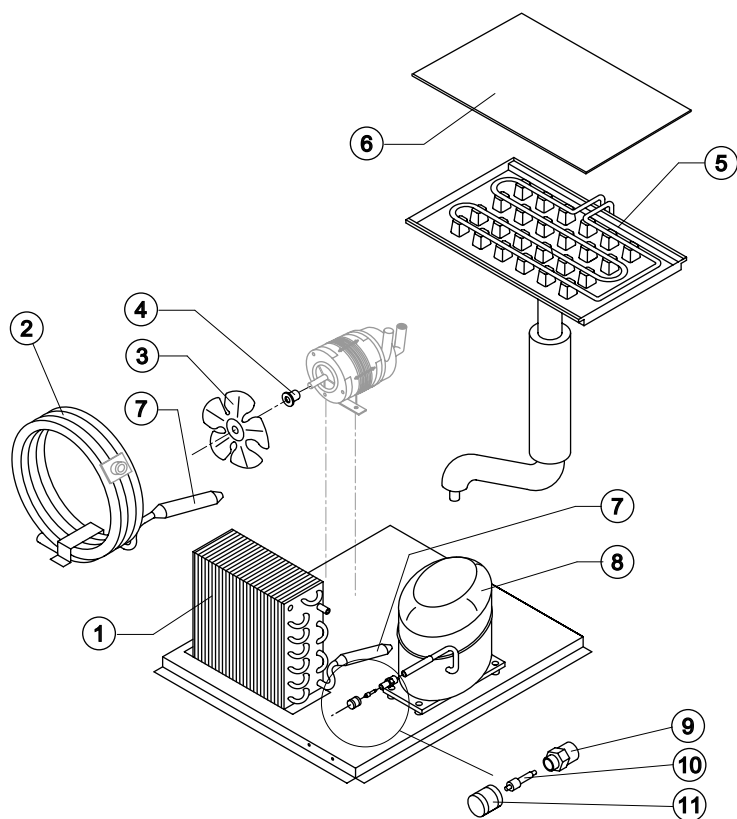
| Ref. | Spare Description | Code |
|------|----------------------|-----------------|
| 1 | Foamed Cabinet Assy | See Table |
| 2 | Top Assembly | C22693 |
| 3 | Back Panel Assembly | C22278 |
| 4 | Rear Grid | D12002 |
| 5 | Foot | 10017 |
| 6 | Front Grid Panel | Current Version |
| 6 | Front Panel | Till s/n 28711 |
| 7 | Filtering Panel | 18106 |
| 8 | Frame with Grid | C10205 |
| 9 | Door Assembly | C10303 |
| 10 | Base Plate | 21001 |
| 11 | Bulb Thermostat Tube | Current Version |
| 11 | Bulb Thermostat Tube | Till s/n 94447 |

Ref. 1 - Foamed Cabinet Assy Version 1

| Kind of Cube | Code |
|------------------|-----------|
| 18 g. (Standard) | C11041/E |
| 33 g. (Big) | C11041/E |
| 13 g. (Small) | C11041/ED |

Ref. 1 - Foamed Cabinet Assy Version 2

| Condensation | Code |
|--------------|---------|
| Air | C11041A |
| Water | C11041W |



Common Parts

| Ref. | Spare Description | Code |
|------|----------------------------|-----------|
| 3 | Suction Impeller | 10213 |
| 4 | Hub with Washer with Screw | 10014 |
| 5 | Evaporator | See Table |
| 6 | Evaporator Cover | 10008 |
| 7 | Molecular Drier | 14009 |
| 8 | Compressor | See Table |
| 9 | Vacuum-Charge Valve Body | 14007 |
| 10 | Vacuum-Charge Valve Device | 14005 |
| 11 | Vacuum-Charge Valve Plug | 14006 |

Parts for Air Cooled Version Only

| Ref. | Spare Description | Code | |
|------|-------------------|------------------|-------|
| 1 | Air Condenser | Current Version | 20534 |
| 1 | Air Condenser | Till s/n. 104604 | 20069 |

Parts for Water Cooled Version Only

| Ref. | Spare Description | Code | |
|------|-------------------|-----------------|-------|
| 2 | Water Condenser | Current Version | 14057 |
| 2 | Water Condenser | Till s/n. 28525 | 14002 |

Ref. 5 - Evaporator

| Kind of Cube | Code |
|------------------|--------|
| 18 g. (Standard) | D10045 |
| 33 g. (Big) | D10320 |
| 13 g. (Small) | D10416 |

Ref. 8 - Compressor

| Tension | Refr. R404A | Refr. R22 |
|----------------|-------------|-----------|
| 220/240V 50 Hz | 23441 (*) | 23197 |
| 220/230V 60 Hz | 23494 | 23346 |
| 110/115V 60 Hz | 23446 | 23368 |

(*) Cod. 23436 till s/n. 104604

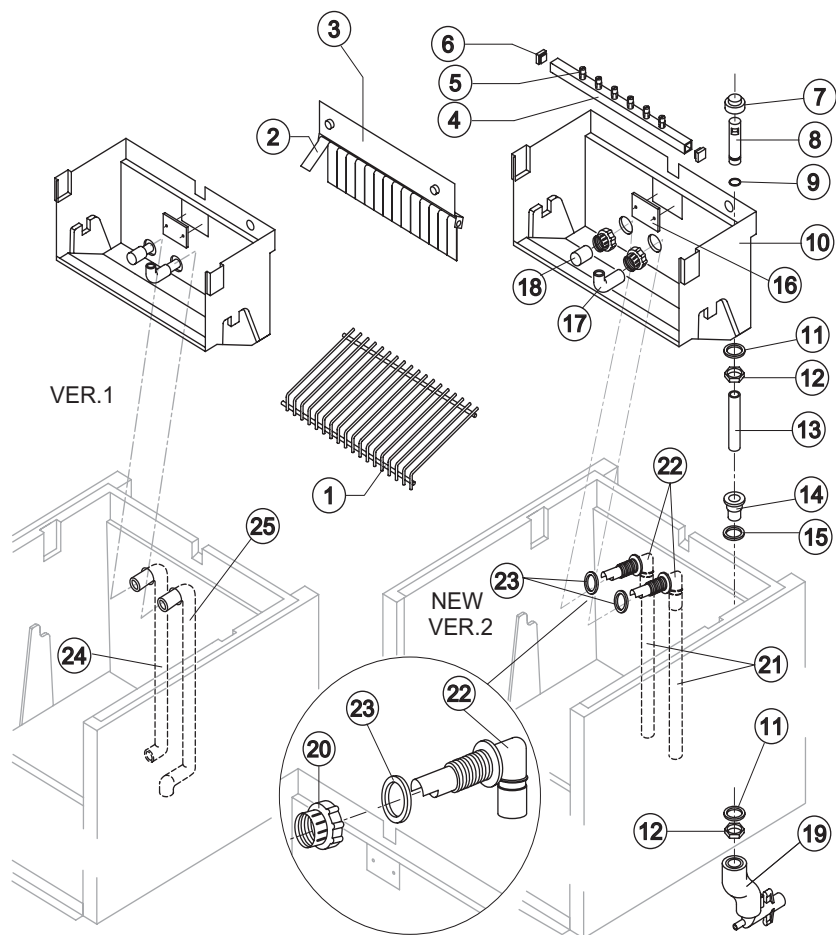


Ref. 5 - For ice makers made in version 1 (for "small size" ice cube only) ask, beside the Evaporator, also the Evaporator Support.



CB 249

HYDRAULIC CIRCUIT



Ref. 1 - Ices Cubes Slide

| Kind of Cube | Code |
|------------------|--------|
| 18 g. (Standard) | D12001 |
| 33 g. (Big) | D12066 |
| 13 g. (Small) | D12046 |

Ref. 4 - Sprayers Bar Ass.

| Kind of Cube | Code |
|------------------|--------|
| 18 g. (Standard) | C20028 |
| 33 g. (Big) | C20530 |
| 13 g. (Small) | C20289 |

Common Parts

| Ref. | Spare Description | Code |
|------|--|-----------------------|
| 1 | Ices Cube Slide | See Table - |
| 2 | Flag | 10005 |
| 3 | Flags Support Assy | C22034 |
| 4 | Sprayers Bar Assembly | See Table - |
| 5 | Sprayer | D20002 |
| 6 | Sprayers Bar Plug | 10012 |
| 7 | Overflow Cap | 10305 |
| 8 | Overflow Pipe | 10133 |
| 9 | Or Gasket for Overflow Pipe | 20233 |
| 10 | Inner Basin | 10252 |
| 11 | Semirigid Polyethylene gasket | 13007 |
| 12 | Bin Discharge Nut | 10096 |
| 13 | Overflow Pipe | Current Version 13106 |
| 13 | Overflow pipe | Till s/n. 64915 13061 |
| 14 | Plastic Nipple Water Outlet | 10007 |
| 15 | Silicone Gasket | 13006 |
| 16 | Slide Keep Plate | 10009 |
| 17 | Sprayers Feeding Pipe | 13005 |
| 18 | Pump Suction Filter | 20005 |
| 20 | Fittings Locking Ring | Version 2 10405 |
| 21 | Pump Suction/Delivery Pipe | Version 2 13137 |
| 22 | Fitting of the Pump Suction/Delivery Pipes | Version 2 10404 |
| 23 | Gasket for Suction Line/Pump Delivery | Version 2 13143 |
| 24 | Pump Suction Pipe | Version 1 13013 |
| 25 | Pump Delivery Pipe | Version 1 13062 |

Parts for Air Cooled Version Only

| Ref. | Spare Description | Code |
|------|---------------------|--------|
| 19 | Discharges Manifold | C10006 |

Parts for Water Cooled Version Only

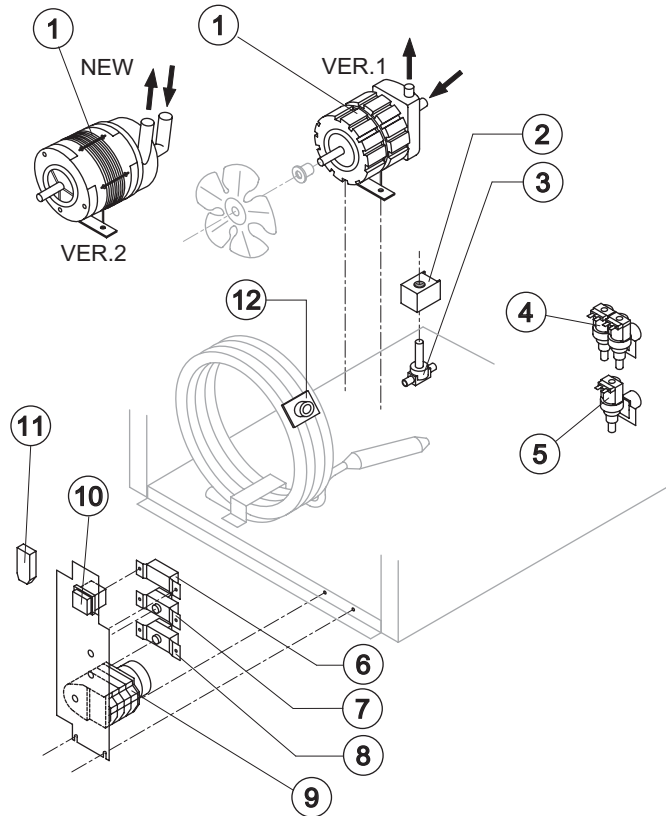
| Ref. | Spare Description | Code |
|------|---------------------|--------|
| 19 | Discharges Manifold | C26452 |

Rev.2 - 10/2/2003



CB 249

ELECTRIC PARTS



Common Parts

| Ref. | Spare Description | Code |
|------|-----------------------|-------------|
| 1 | Pump | See Table - |
| 2 | Hot Gas coil | See Table - |
| 3 | Hot Gas Valve Body | 20410 |
| 7 | Bin Thermostat | 23005 |
| 8 | Evaporator Thermostat | 23591 |
| 9 | Timer | See Table - |
| 10 | Green Light Switch | 23327 |

Parts for Air Cooled Version Only

| Ref. | Spare Description | Code |
|------|-------------------------|-------------|
| 5 | Inlet Water Valve 1 Way | See Table - |

Parts for Water Cooled Version Only

| Ref. | Spare Description | Code |
|------|--------------------------------|-----------------------|
| 4 | Inlet Water Valve 2 Ways | See Table - |
| 6 | Condenser Pressure Switch | 23175 |
| 11 | Anti Radio Interference Filter | Only 220V 50 Hz 23457 |
| 12 | Safety Thermostat | C23114 |

Ref. 1 - Pump

| Tension | Version 1 | Version 2 |
|----------------|-----------|-----------|
| 220/240V 50 Hz | 23002 | 23377 |
| 220/230V 60 Hz | 23002 | 23377 |
| 110/115V 60 Hz | 23264 | 23663 |

Ref. 2 - Hot Gas Coil

| Tension | Code |
|----------------|-------|
| 220/240V 50 Hz | 23091 |
| 220/230V 60 Hz | 23091 |
| 110/115V 60 Hz | 23256 |

Ref. 9 - Timer

| Tension | 18 g Cube | 33g Cube | 13g Cube |
|----------------|-----------|----------|----------|
| 220/240V 50 Hz | 23222 | 23248 | 23247 |
| 220/230V 60 Hz | 23248 | 23396 | 23247 |
| 110/115V 60 Hz | 23259 | 23397 | 23258 |

Ref. 5 - Inlet Water Valve 1 Way

| Tension | Code |
|----------------|-------|
| 220/240V 50 Hz | 23497 |
| 220/230V 60 Hz | 23497 |
| 110/115V 60 Hz | 23499 |

Ref. 4- Inlet Water Valve 2 Ways

| Tension | Code |
|----------------|-------|
| 220/240V 50 Hz | 23542 |
| 220/230V 60 Hz | 23542 |
| 110/115V 60 Hz | 23592 |

Rev.2 - 10/2/2003