



## **Würfeleisbereiter Vollkegel, Wasserk., 300 kg/24 h, ohne Speicher**

Artikel-Nr.  
711054 (C300W)

---

### **Explosionszeichnung / Ersatzteile**

---

Bitte bei Ersatzteilbestellung immer Artikelnummer und  
Seriennummer mit angeben!



C 300

# LIST OF THE EXPLODED VIEWS

3rd VERSION

From s/n. 213748 till Today



*SHELL ASSY*

*COOLING SYSTEM*

*HYDRAULIC CIRCUIT*

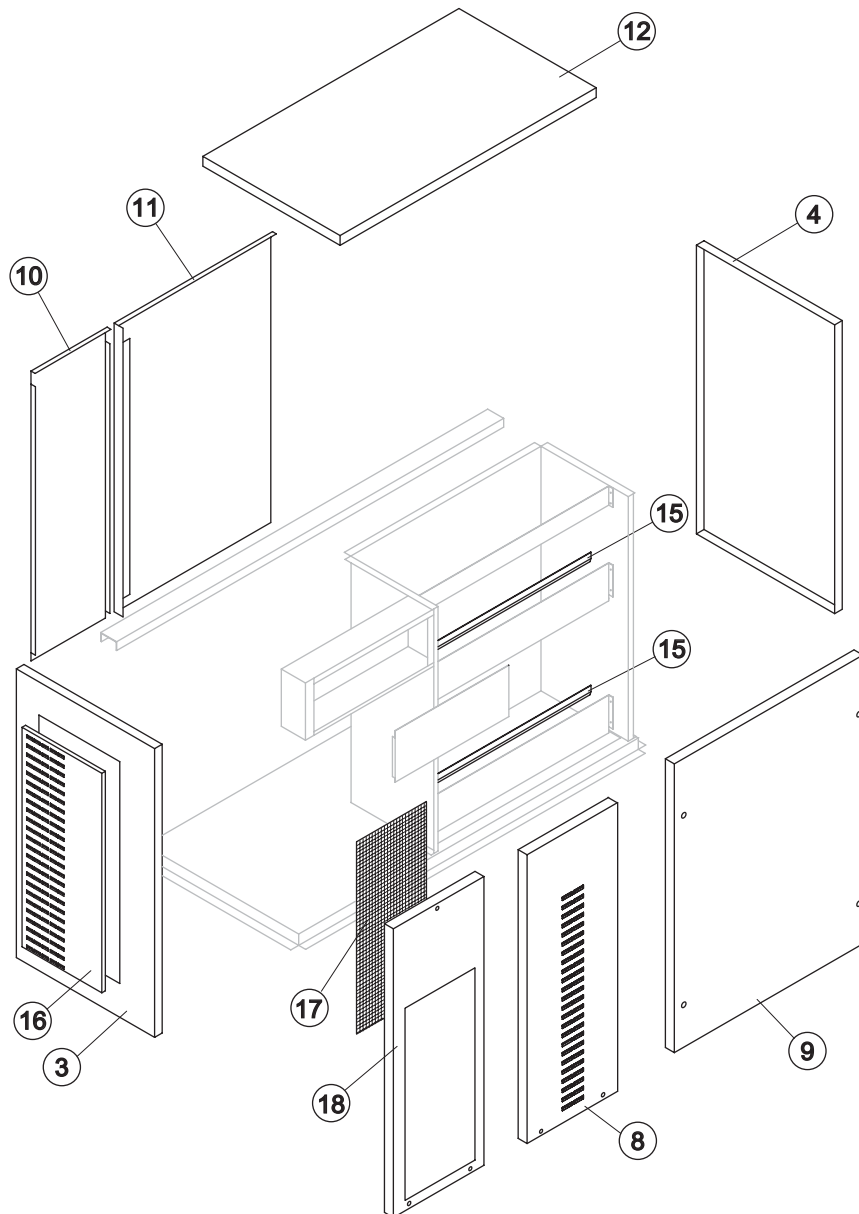
*ELECTRIC PARTS*



# C 300

3rd Version From s/n.213748 up Today

## SHELL ASSY



Ref.	Spare Description	Code
3	Left Side Panel	22736
4	Right Side Panel	22735
9	Front Panel (Bin Side)	C22744
10	Rear Panel (Group Side)	21288
11	Rear Panel (Bin Side)	21241
12	Top Assy	22738
15	Inner Basin Reinforcement	22740
16	Left Side Panel	22810

### Parts for Air-Cooled Version Only

Ref.	Spare Description	Code
17*	Filter	18178
18	Front Panel (Group Side)	22986

### Parts for Water-Cooled Version Only

Ref.	Spare Description	Code
8	Front Panel (Group Side)	22741

Rev. 14 - 15/05/2018



# C 300

3rd Version From s/n.213748 up Today

# COOLING SYSTEM

## Common Parts

Ref.	Spare Description	Code
1*	Vacuum-Charge Valve Plug	14006
2*	Vacuum-Charge Valve Device	14005
3	Vacuum-Charge Valve Body	14007
5	Compressor	See Table
7	Evaporator	See Table
8	Evaporator Cover Panel	10058
9	Sucking Fan	10213
10	Fan Fixing Hub	10014
11*	Solid Core Drier	14084
16	Upper Evaporator Cover Panel	10439
17*	Hot Gas Valve Coil	See Table
18*	Hot Gas Valve Body	20409
21	Suctin Line	for the spare parts code give us the s/n.

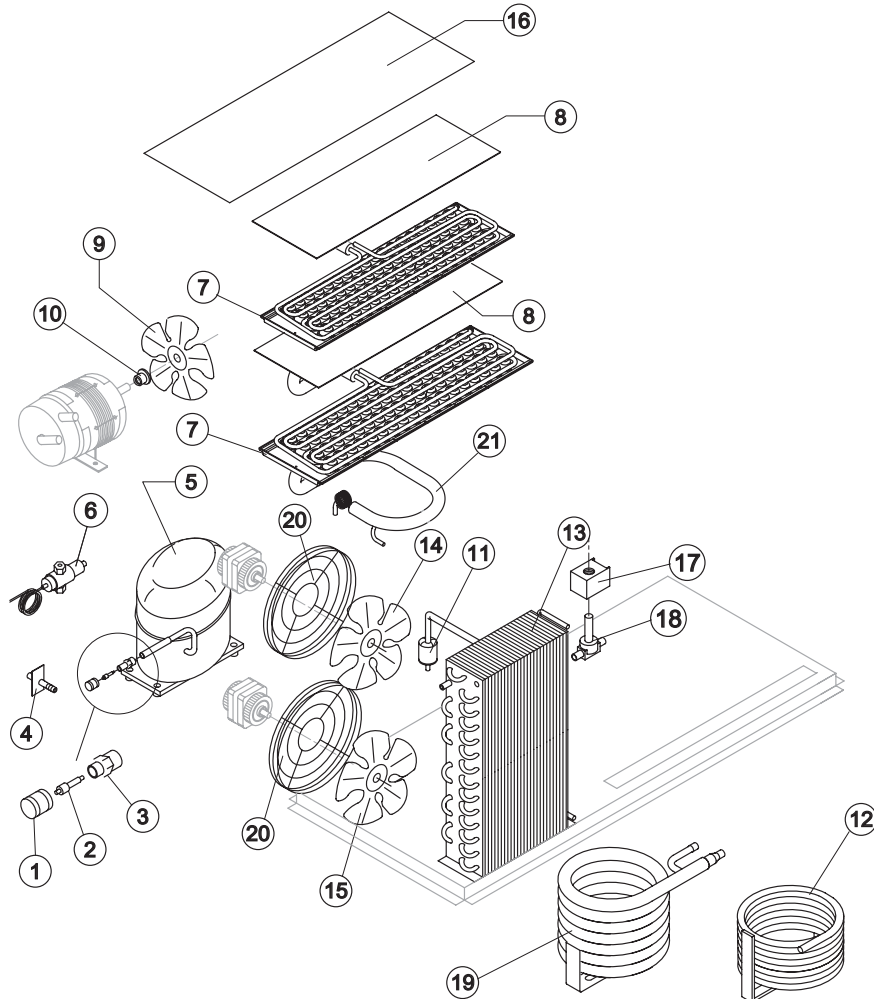
## Parts for Air-Cooled Version Only

Ref.	Spare Description	Code
13	Air Condenser	20406
14	Sucking Fan 275 / 34°	20153
15	Sucking Fan 275 / 34°	20153
20	Fan Guard	12054

## Parts for Water-Cooled Version Only

Ref.	Spare Description	Code
4	Rubber Holder with Plate	Current Version 20938
4	Rubber Holder with Plate	Till s/n. 459880 C20462
6	Pressostatic Valve	20149
12	Water Condenser	Till s/n. 537714 14617
19	Water Condenser	Current Version 14660

Rev. 14 - 15/05/2018



### Ref. 5 - Compressor

Voltage	Code Current Version	Code Till s/n. 661502
T11	231079	23647
T12	231081	23651
T15	231085	23709
T16	231083	23708
T17	231085	23709

### Ref. 7 - Evaporator

Kind of Cube	Code
18 g. (Standard)	D10214
33 g.	D10092
13 g.	D10126
42 g.	D10477
60 g.	D10555

### Ref. 17\* - Hot Gas Valve Coil

Voltage	Code
T11	231294
T12	23091
T15	231294
T16	23091
T17	23091



# C 300

3rd Version From s/n.213748 up Today

## HYDRAULIC CIRCUIT

### Common Parts

Ref.	Spare Description	Code
1	Pump Suction/Delivery Pipe	13150
3	Inner Basin	10440
4	Slide Keep Plate	Till s/n. 233485 10009
5*	Pump Suction Filter	20005
6	Overflow Cap	Till s/n. 243833 10305
7*	Overflow Pipe	10133
8*	OR Gasket for Overflow Pipe	20233
9	Water Outlet Nipple	10471
10	Silicone Gasket	13006
11	Semirigid Polyethylene Gasket	13007
12	Bin Discharge Nut	10096
13	Water Discharge Pipe	13054
14	Discharges Manifold	C10415
15	Sprayer	D20002
16*	Sprayers Bar Assembly	See Table
17	Sprayers Bar Plug	10012
18	Ice Cubes Slide	See Table
19	Sprayers Bar Pipe Connection	C13036
21	Flags Support Assy	C22134
22	Fitting of the Pump Suction/Delivery Pipes	10424
23	Gasket for Pump Suction/Delivery Pipes	13143
24	Fittings Locking Ring	10405
25	Fixing Screw	20009

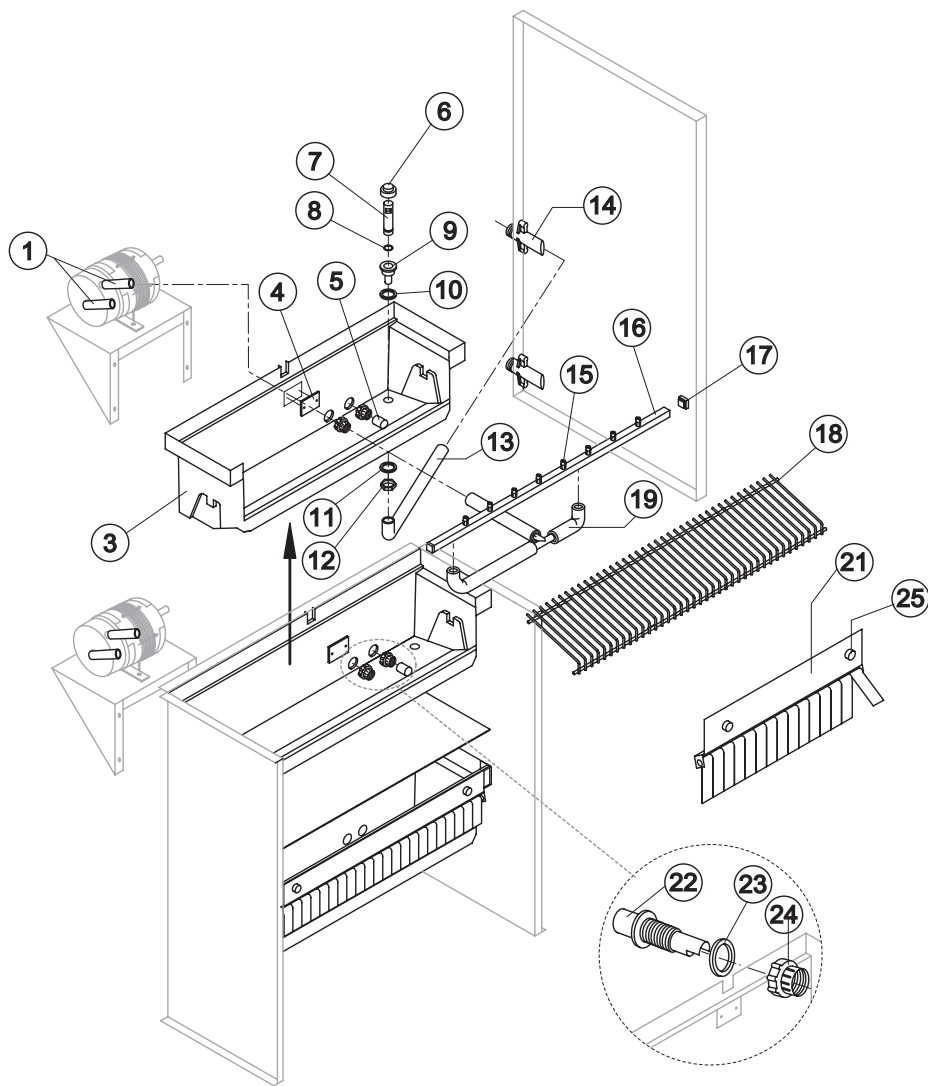
### Ref. 16\* - Sprayers Bar Ass.

Kind of Cube	Code
18 g. (Standard)	C20144
33 g.	C20157
13 g.	C20200
42 g.	C20157
60 g.	C20941

### Ref. 18 - Ice Cube Slide

Kind of Cube	Code
18 g. (Standard)	D12022
33 g.	D12033
13 g.	D12040
42 g.	D12033
60 g.	D12084

Rev. 14 - 15/05/2018





# C 300

3rd Version From s/n.213748 up Today

# ELECTRIC PARTS

## Common Parts

Ref.	Spare Description	Code
1*	Bin Thermostat	R23421
2*	Evaporator Thermostat	R23591
3*	Timer	See Table
4*	Contactor	23147
8	Safety Pressure Switch	23342
9*	2 Ways- Water Inlet Valve	23157
12*	Pump Assy	C23691
15*	On/Off Rocker Switch	23327
16	Low pressure safety switch	23763

## Parts for Air-Cooled Version Only

Ref.	Spare Description	Code
6	Anti Radio Interference Filter	Only T11 and T15 C23459
7*	Condenser Pressure Switch	23175
13	Fan Motor	23121
14	Fan Motor	23121

## Ref. 3\* - Timer

Voltage	18g Cube	33g Cube	13g Cube	42g Cube	60g Cube
T11	23247	23248	23472	23780	23922
T12	231082	231080	231077	231080	TBD
T15	23247	23248	23472	23780	23922
T16	231082	231080	231077	231080	TDB
T17	231082	231080	231077	231080	TDB

## Ref. 4\* - Contactor

Voltage	Code
T11	23147
T12	23963
T15	23147
T16	23963
T17	23963

## Ref. 9\* - 2 Ways- Water Inlet Valve

Voltage	18/13g Cube	33g Cube	42g Cube	60g Cube
T11	23157	23784	23784	23784
T12	23157	23784	23784	23784
T15	23157	23784	23784	23784
T16	23157	23784	23784	23784
T15	23157	23784	23784	23784

Rev. 14 - 15/05/2018

