

DISHWASHER

ELECTROMECHANICAL SWITCHES
LOWER WASHING
LOWER AND UPPER WASHING

TYPE: 30R

Accessories

DVGW

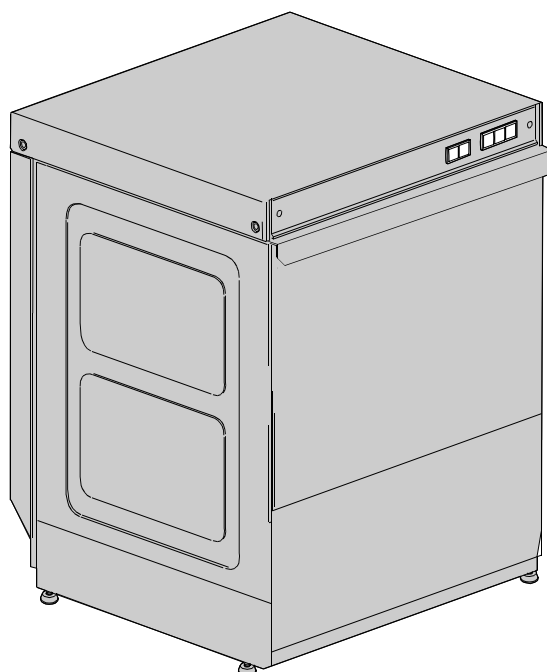
COLD RINSE

WATER SOFTNER

DETERGENT DISPENSER

DRAIN PUMP

Spare parts manual



1. Spare parts

General body parts.....	7
Lockup system	9
Control electric components.....	13
Control electric components.....	17
Solenoid valve group	19
Solenoid valve group	21
DVGW	23
Water softner group.....	25
Shining product dosing device group .	27
Boiler group	29
3 ways derivation	31
4 ways derivation	33
Wash pump	35
Wash pump	37
Dosing device group	39
Drain pump group.....	41

Pressure switch group with air trap ...43

Turret group with rotating arms45

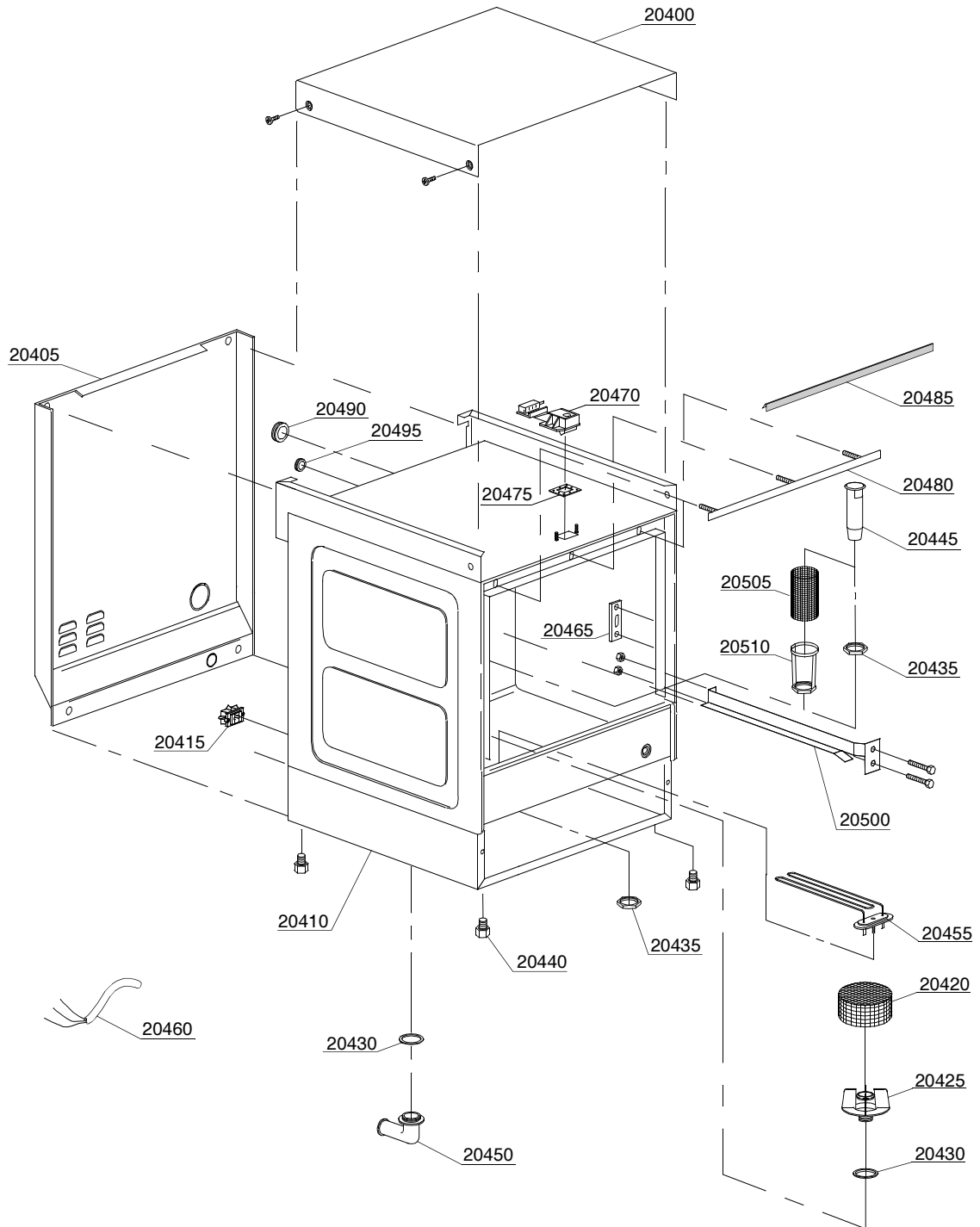
Turret group with rotating arms49

1.1 Voltage codes

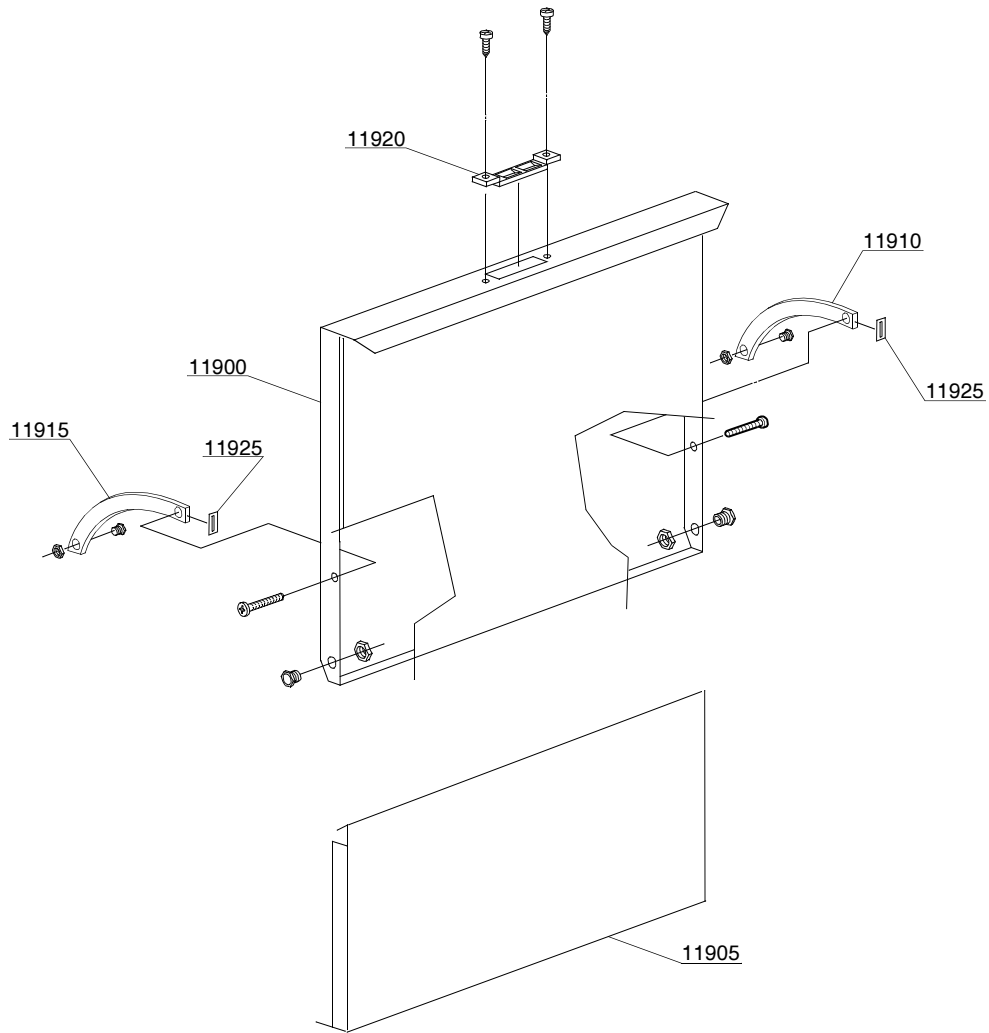
Voltage code	Voltage
A	3/N/PE~400/230V 50Hz
B	~250V 16A 50Hz
C	3/N/PE~380/220V 50Hz
D	3/PE~200V 50-60Hz
F	2/PE 220-240V 50Hz
G	3/N/PE~415/240V 50Hz
H	3/PE~230V 50Hz
I	3/PE~220V 60Hz
J	3/PE~380 50Hz
K	3/PE~400V 50Hz
L	3/PE~415V 50Hz
M	3/PE~440V 60Hz
N	3/PE~460V 60Hz
O	3/PE~480V 60Hz
P	1/N/PE~220-240V 50Hz
R	2/PE~220-230V 60Hz
S	3/N/PE~400/230V 50Hz
T	3/PE~230V 60Hz

1.2 Product codes

Product code	Full name
Model codes	
em	ELECTROMECHANICAL SWITCHES
cf	LOWER WASHING
ls	LOWER AND UPPER WASHING
Type codes	
30R	30R
Accessory codes	
dvgw	DVGW
fs	COLD RINSE
d	WATER SOFTNER
dde	DETERGENT DISPENSER
ps	DRAIN PUMP

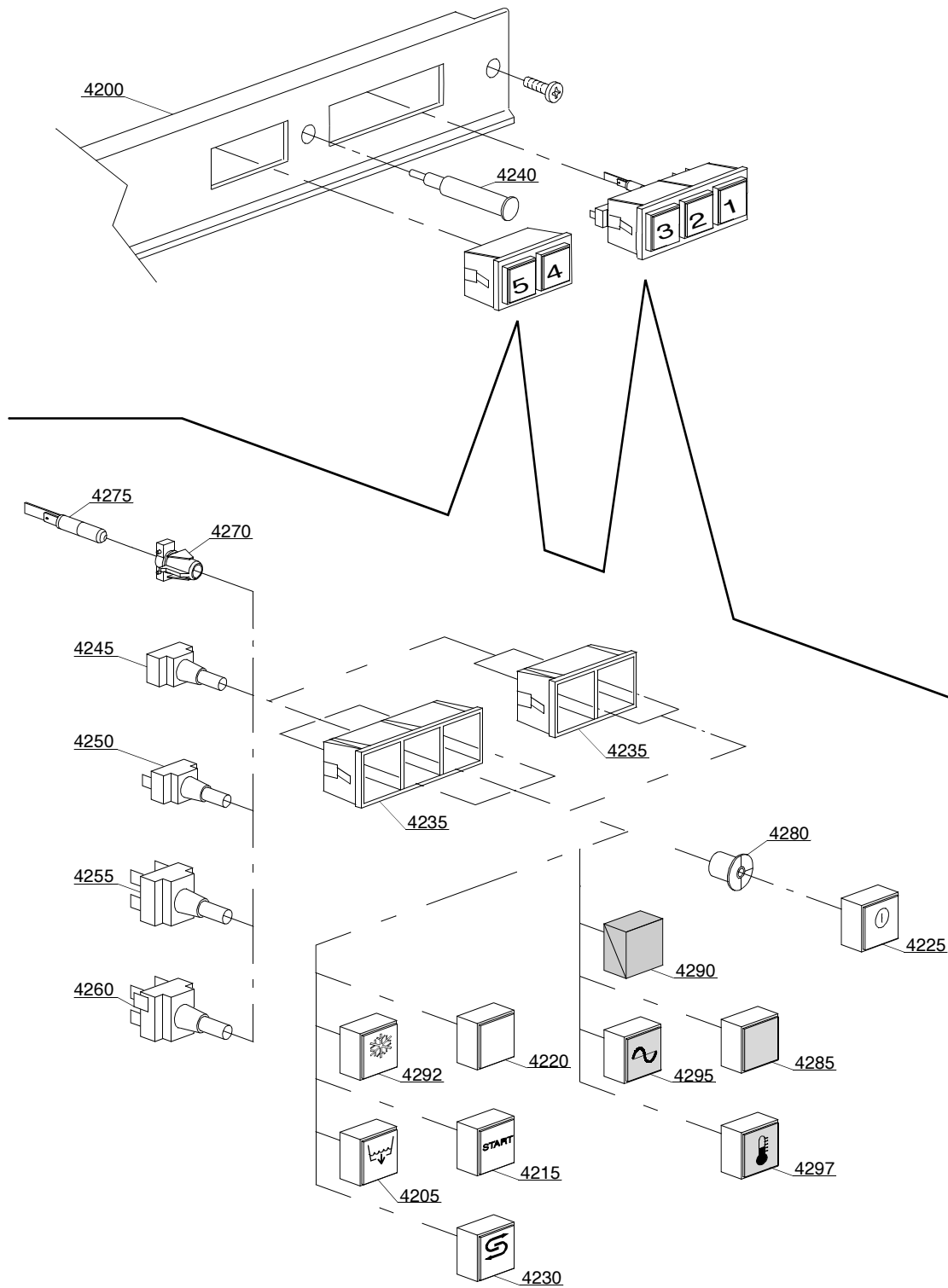


01_026_e

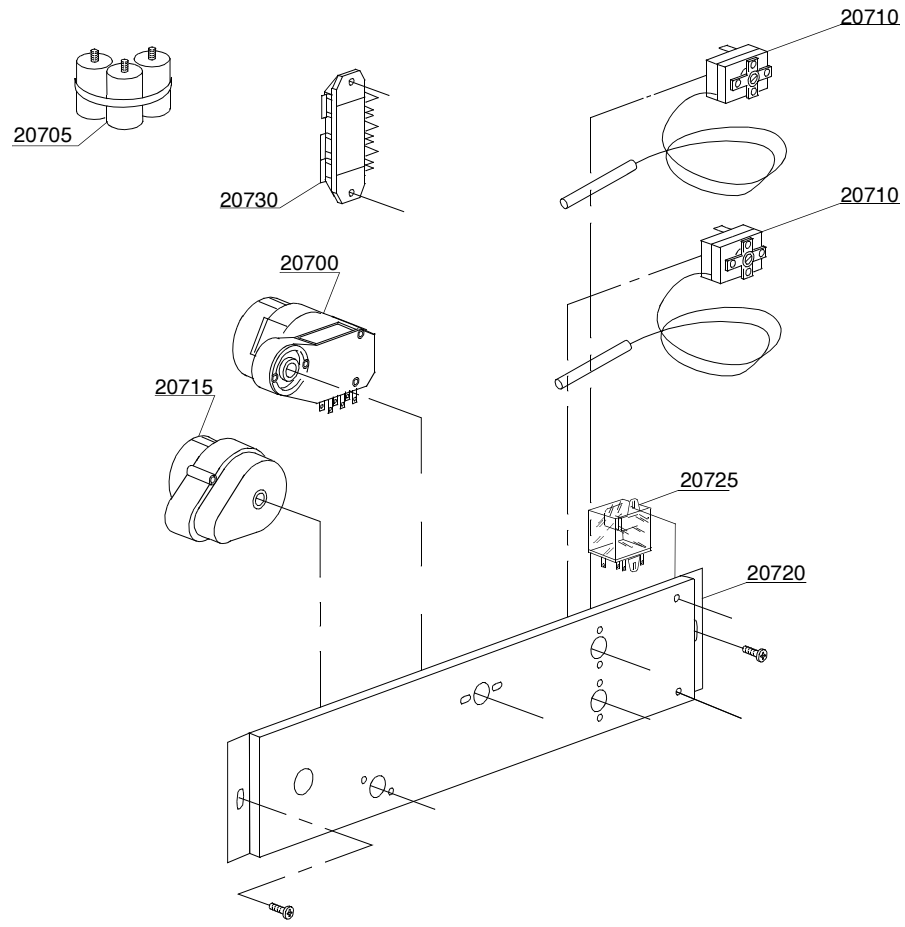


02_110_e

ID	P-code	Model	Type	Accessory	Voltage	Description
MODULE:Lockup system						
11900	375913		30R			Door
11905	375917		30R			Lower door
11910	135221		30R			Right door rod
11915	135221/A		30R			Left door rod
11920	150402/D		30R			Door jack
11925	135222		30R			Hinge door seal



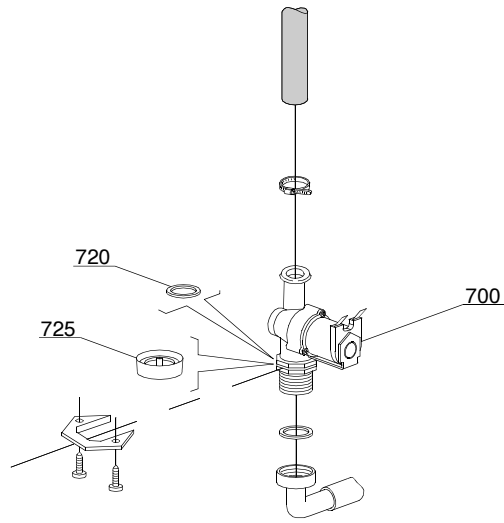
03_012_e



04_024_e

Spare parts

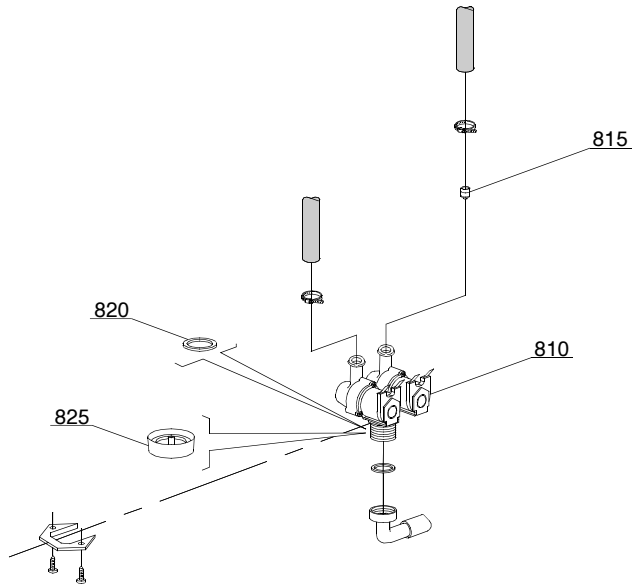
ID	P-code	Model	Type	Accessory	Voltage	Description
MODULE:Control electric components						
20700	10708/L		30R		A	120" timer
20700	10708/B		30R			120" timer - 220Vac 60Hz
20705	15146		30R			Low noise filter
20710	10707/1		30R			0-90øC thermostat
20715	16064/A		30R	ws		Regeneration timer
20720	375907		30R			Electric components panel
20725	15620		30R	dp		Bipolar relay in deviation
20730	500550		30R			3 poles terminal board



05_002_e

Spare parts

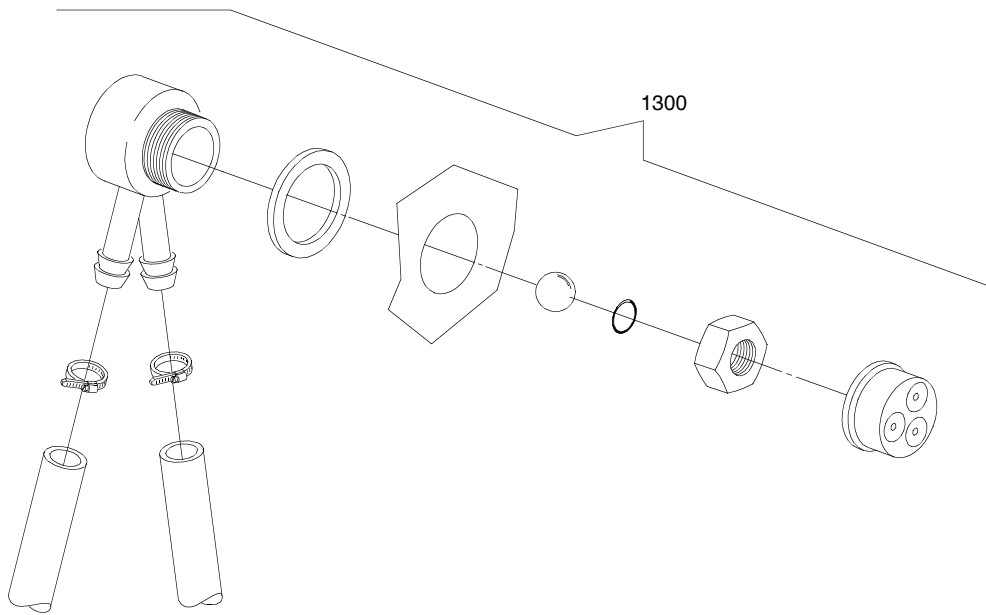
ID	P-code	Model	Type	Accessory	Voltage	Description
MODULE:Solenoid valve group						
700	10703		30R			Single solenoid valve
720	N.C.		30R			Pression reducing valve



05_003_e

Spare parts

ID	P-code	Model	Type	Accessory	Voltage	Description
MODULE:Solenoid valve group						
810	15098		30R	cr,ws		Double solenoid valve - O10
815	15115		30R	cr,ws		Green pression solenoid valve
820	N.C.		30R	cr,ws		Pression reducing valve

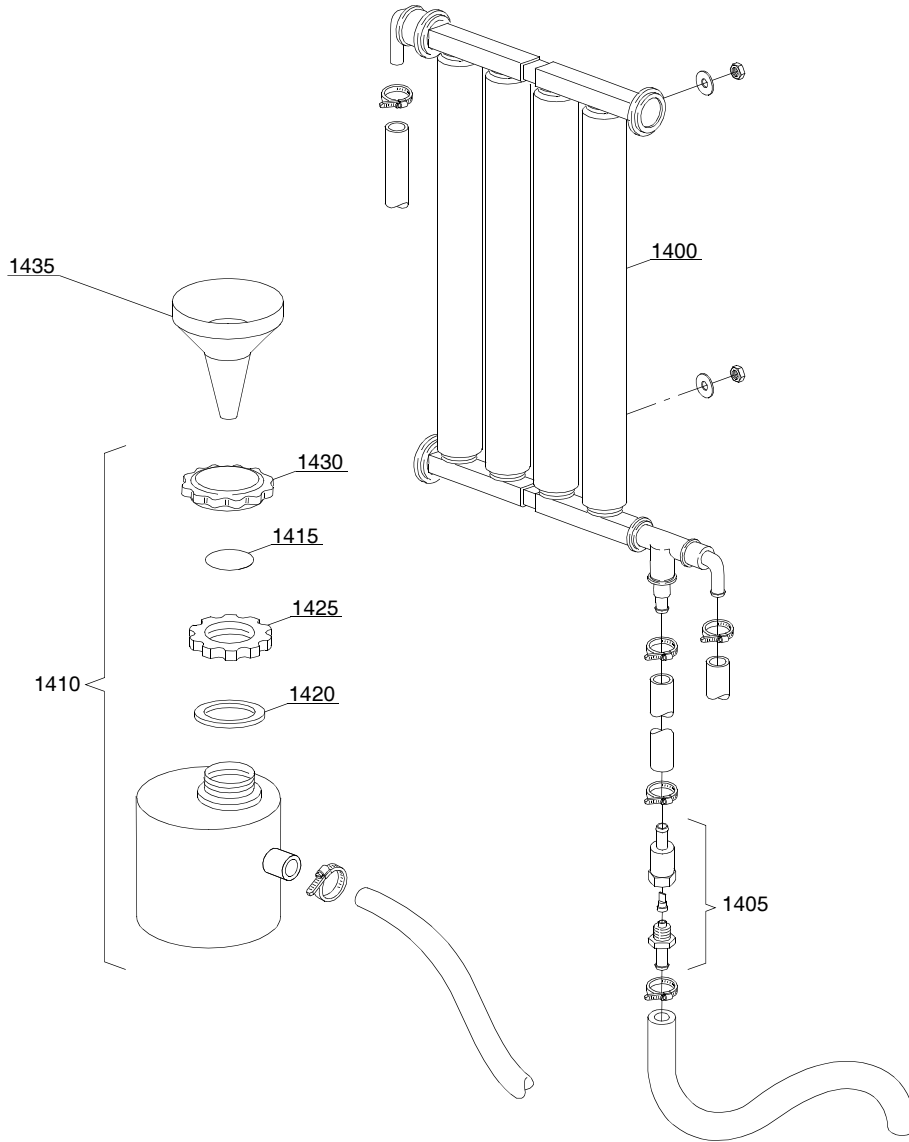


08_005_e

Spare parts

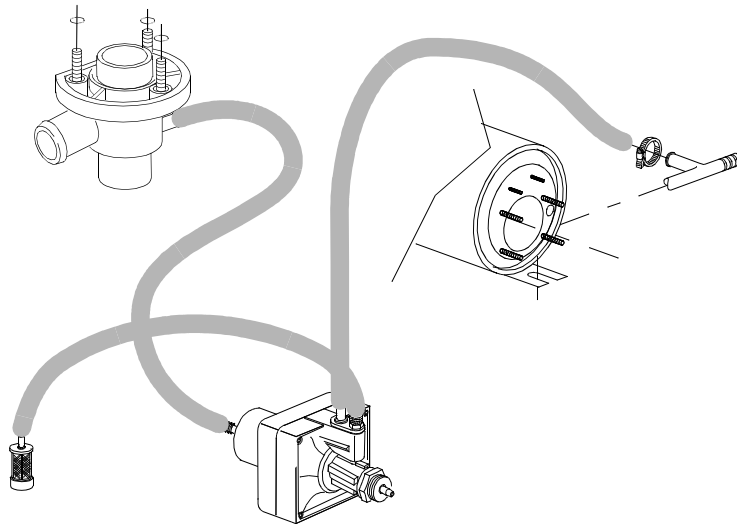
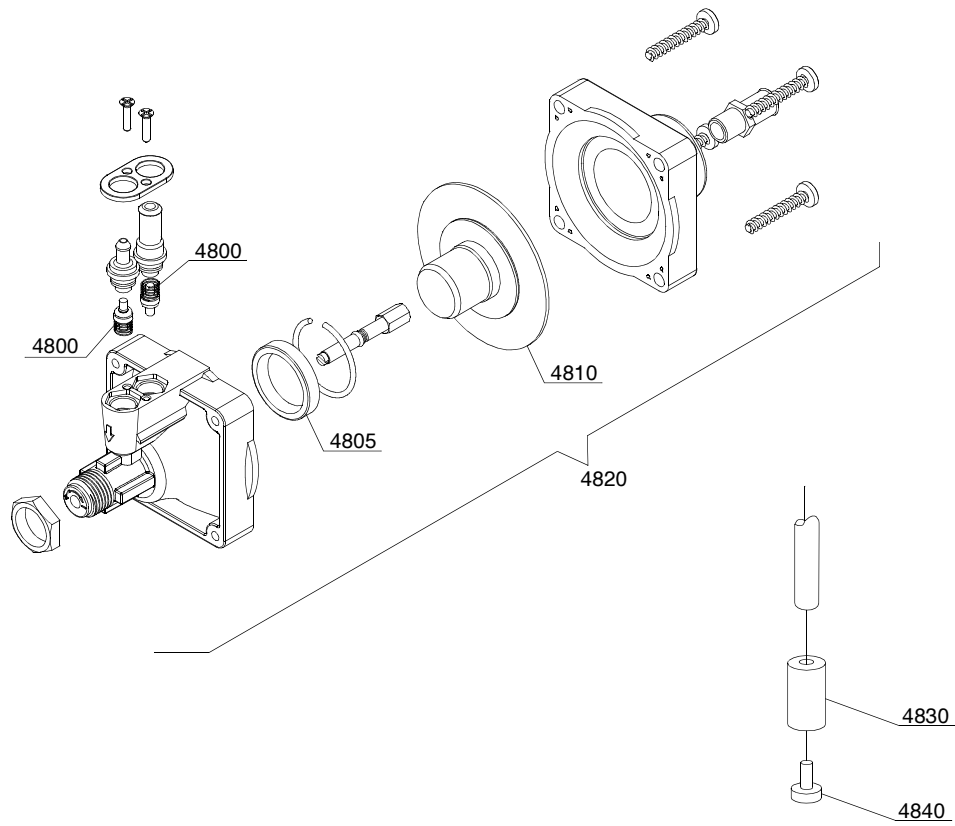
ID	P-code	Model	Type	Accessory	Voltage	Description
MODULE: DVGW						
1300	999900006		30R	dvgw		DVGW assembly

09_001_e



Spare parts

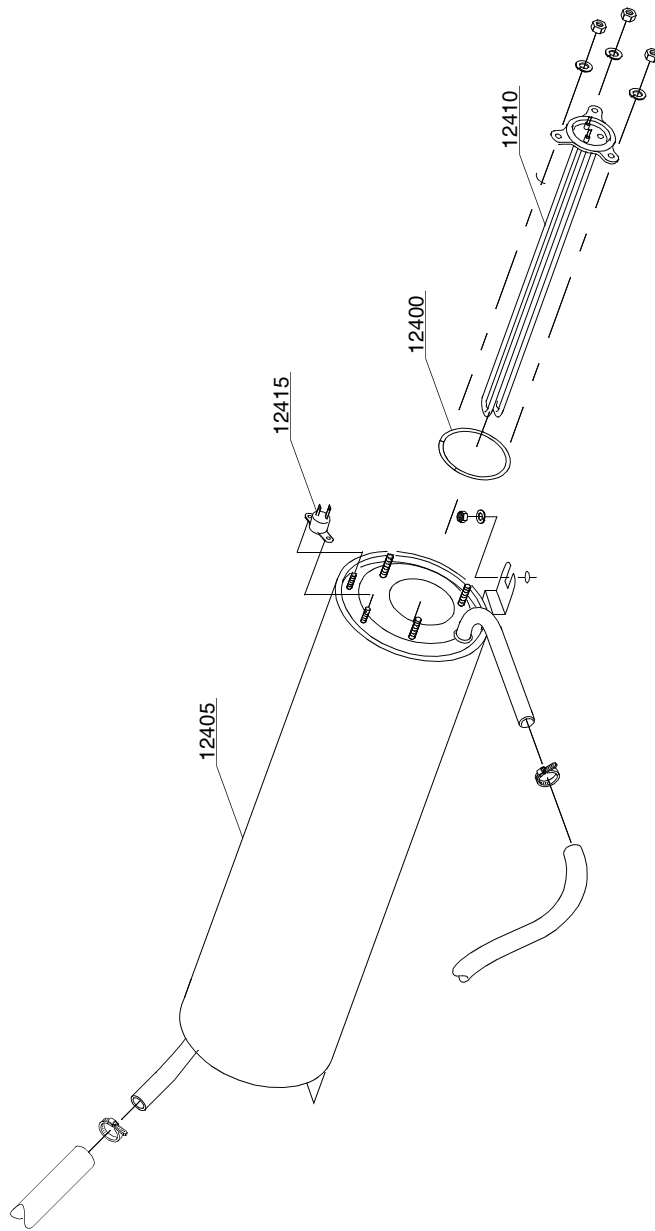
ID	P-code	Model	Type	Accessory	Voltage	Description
MODULE:Water softner group						
1400	16066		30R	ws		4 elements water softner
1405	16070		30R	ws		Nonreturn valve
1410	16065		30R	ws		Salt container
1415	16067/A		30R	ws		OR gasket
1420	16067/B		30R	ws		Gasket
1425	16067/C		30R	ws		Ring nut
1430	16067/D		30R	ws		Plug
1435	16082		30R	ws		Funnel



10_004_e

Spare parts

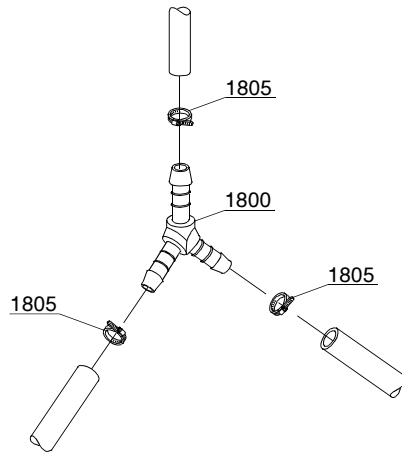
ID	P-code	Model	Type	Accessory	Voltage	Description
MODULE:Shining product dosing device group						
4800	10805		30R			Tecnopro dosing valve
4805	10806		30R			O22 gasket
4810	10807		30R			Membrane
4820	10799		30R			Shining product dosing device
4830	12525		30R			Counter-weight
4840	15058		30R			Small filter



11_007_e

Spare parts

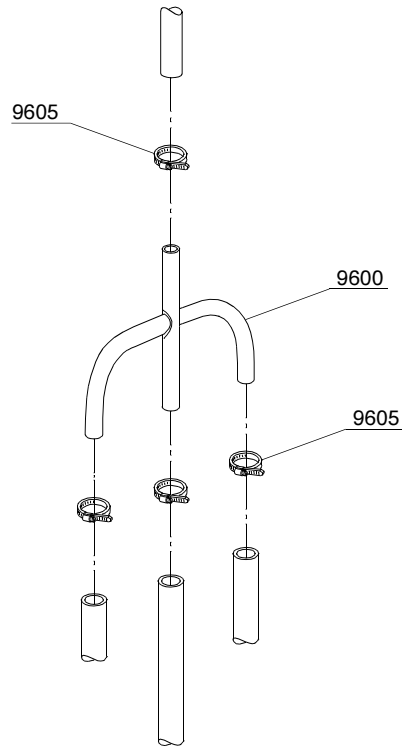
ID	P-code	Model	Type	Accessory	Voltage	Description
MODULE:Boiler group						
12400	13010		30R			OR gasket
12405	135905		30R			Boiler
12410	18206		30R			2,4KW heating element
12415	15550		30R			Safety thermostat



12_003_e

Spare parts

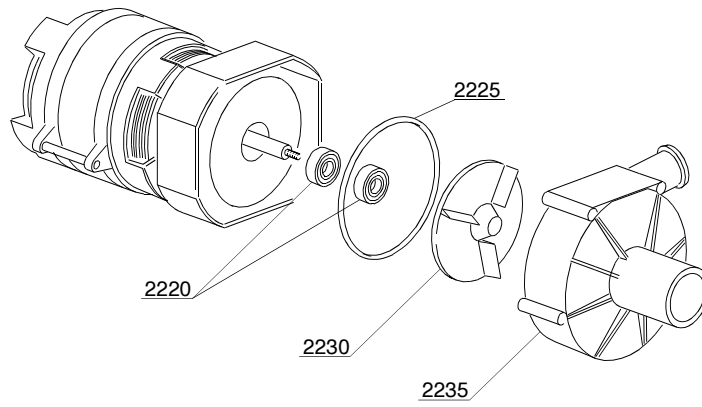
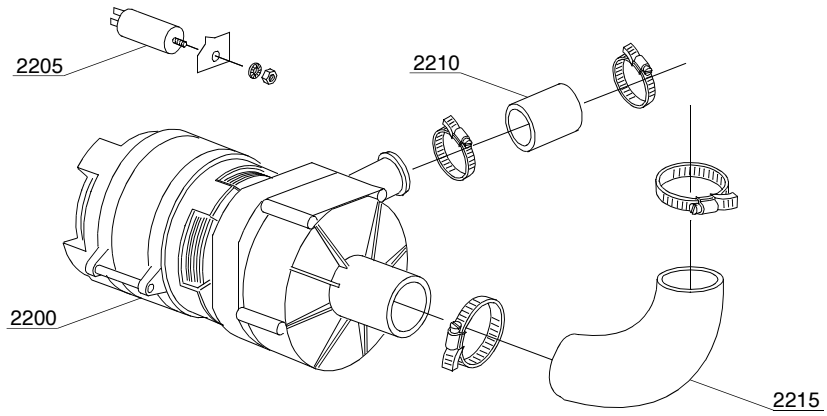
ID	P-code	Model	Type	Accessory	Voltage	Description
MODULE:3 ways derivation						
1800	540090		30R			O10 mm plastic 3 ways derivation
1805	11807		30R			12/22 clamp



12_004_e

Spare parts

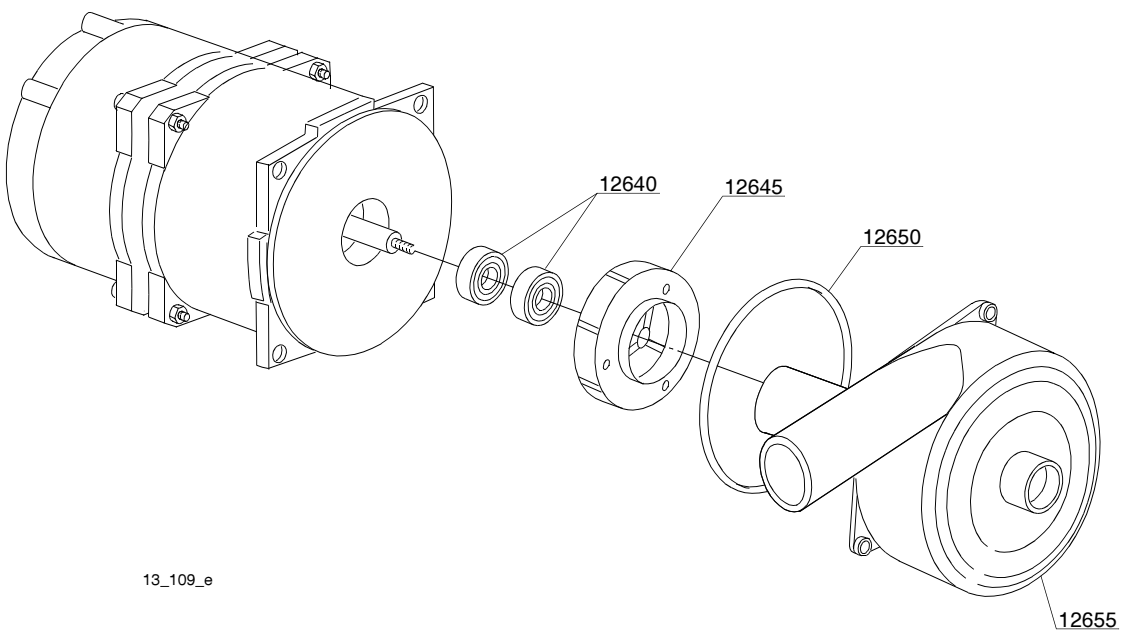
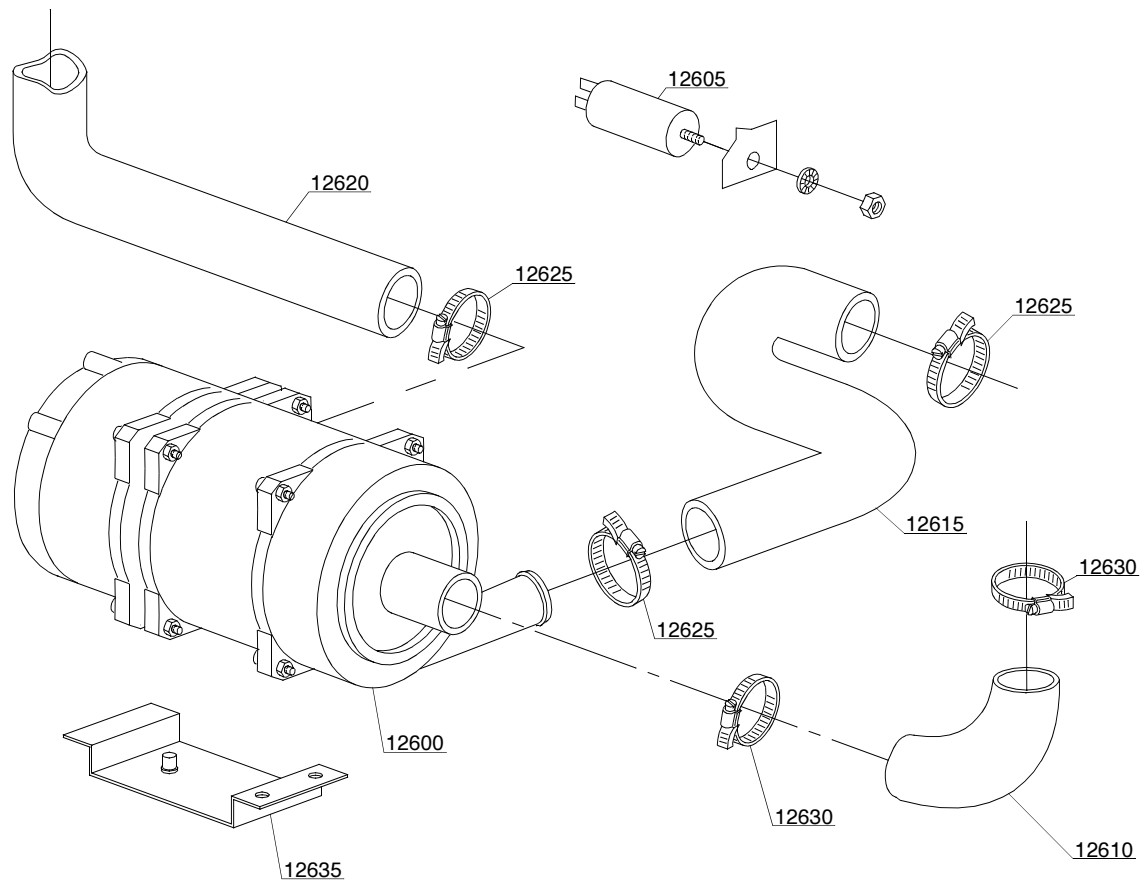
ID	P-code	Model	Type	Accessory	Voltage	Description
MODULE:4 ways derivation						
9600	15151		30R	cr		O10 mm 4 ways derivation
9605	11807		30R			12/22 clamp



13_002_e

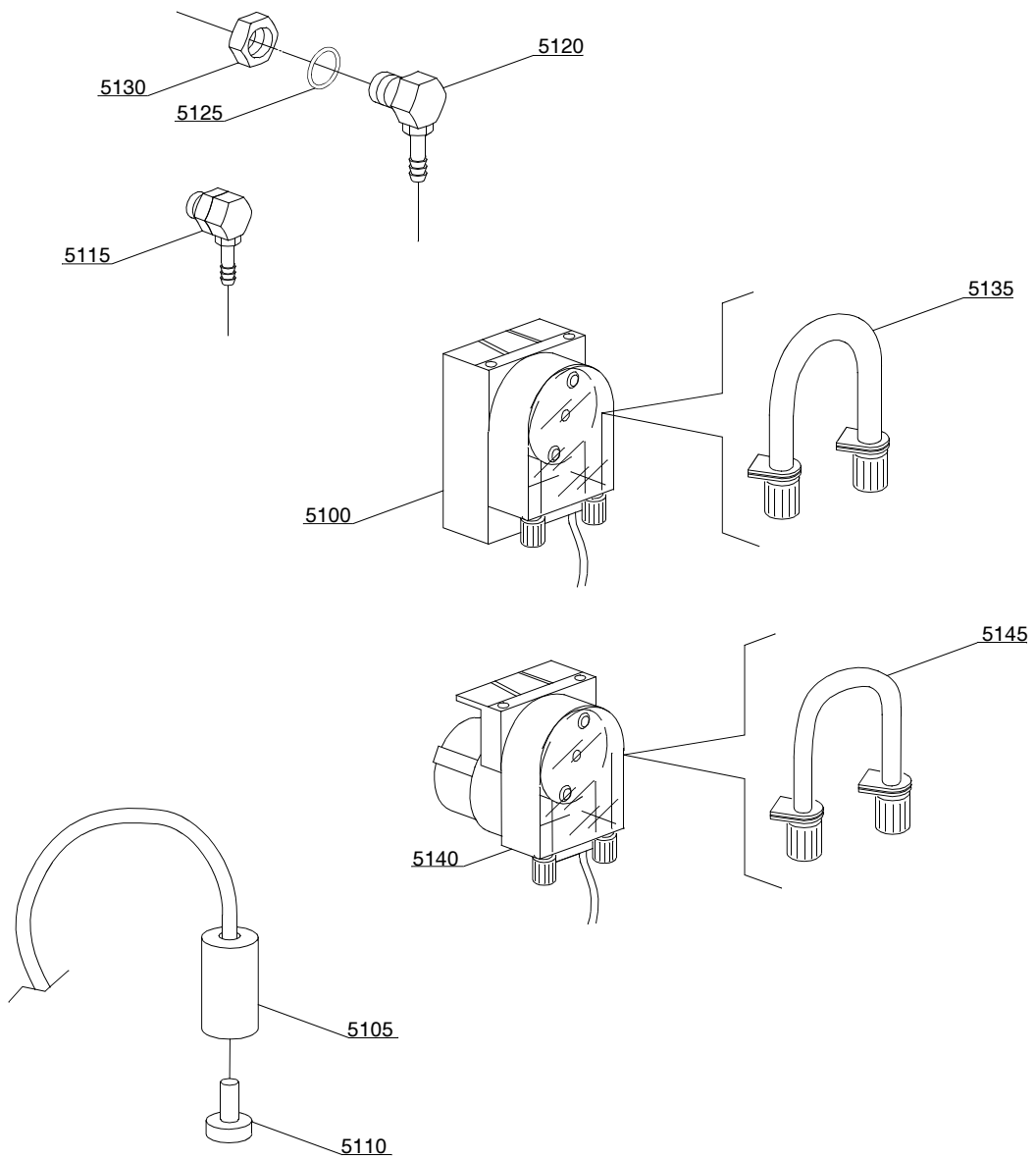
Spare parts

ID	P-code	Model	Type	Accessory	Voltage	Description
MODULE:Wash pump						
2200	10501/A		30R			0,10 Hp wash pump
2205	10702		30R			5 uF condenser
2210	10718		30R			Pump pipe coupling
2215	18787		30R			Suction pipe coupling
2220	10505		30R			Pump shaft gaskets
2225	10506		30R			79,8x2,6 OR gasket
2230	10504		30R			Pump rotor
2235	10502		30R			Scroll



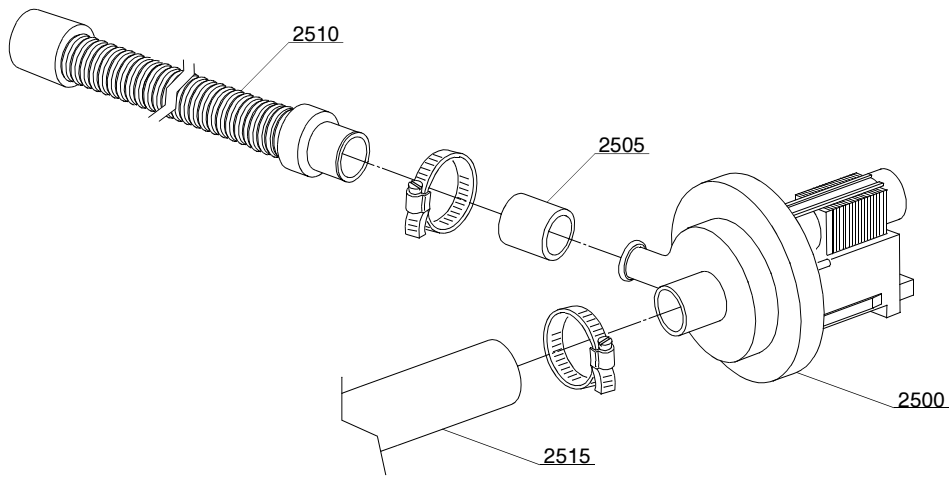
13_109_e

ID	P-code	Model	Type	Accessory	Voltage	Description
MODULE:Wash pump						
12600	18242/B		30R			0,30Hp wash pump
12600	18242		30R			0,30Hp wash pump
12605	16043		30R			8 uF condenser
12610	18787		30R			Suction pipe coupling
12615	16167		30R			Lower wash delivery pipe:part of wash ramp
12620	16167		30R			Wash ramp
12625	11806		30R			25/40 clamp
12630	11809		30R			30/45 clamp
12640	15080		30R			Rotating seals
12645	18259		30R			Scroll
12650	18245		30R			OR gasket
12655	18247		30R			Scroll



14_004_e

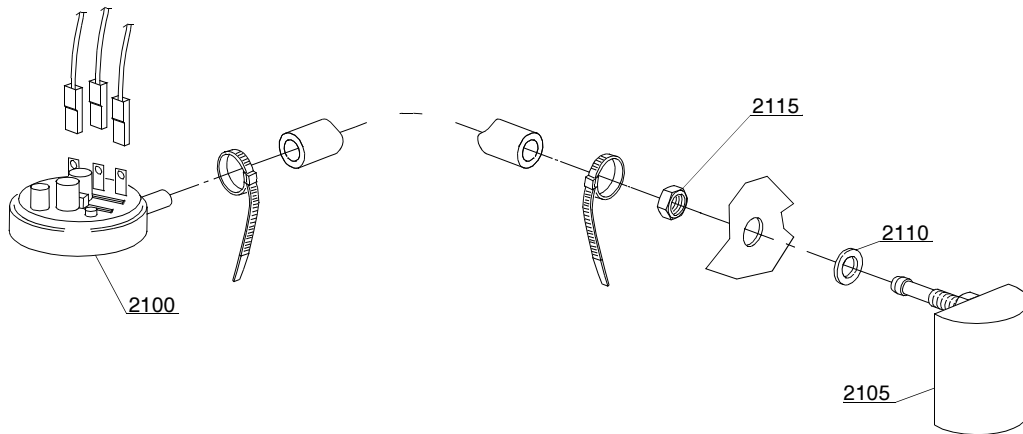
Spare parts



15_004_e

Spare parts

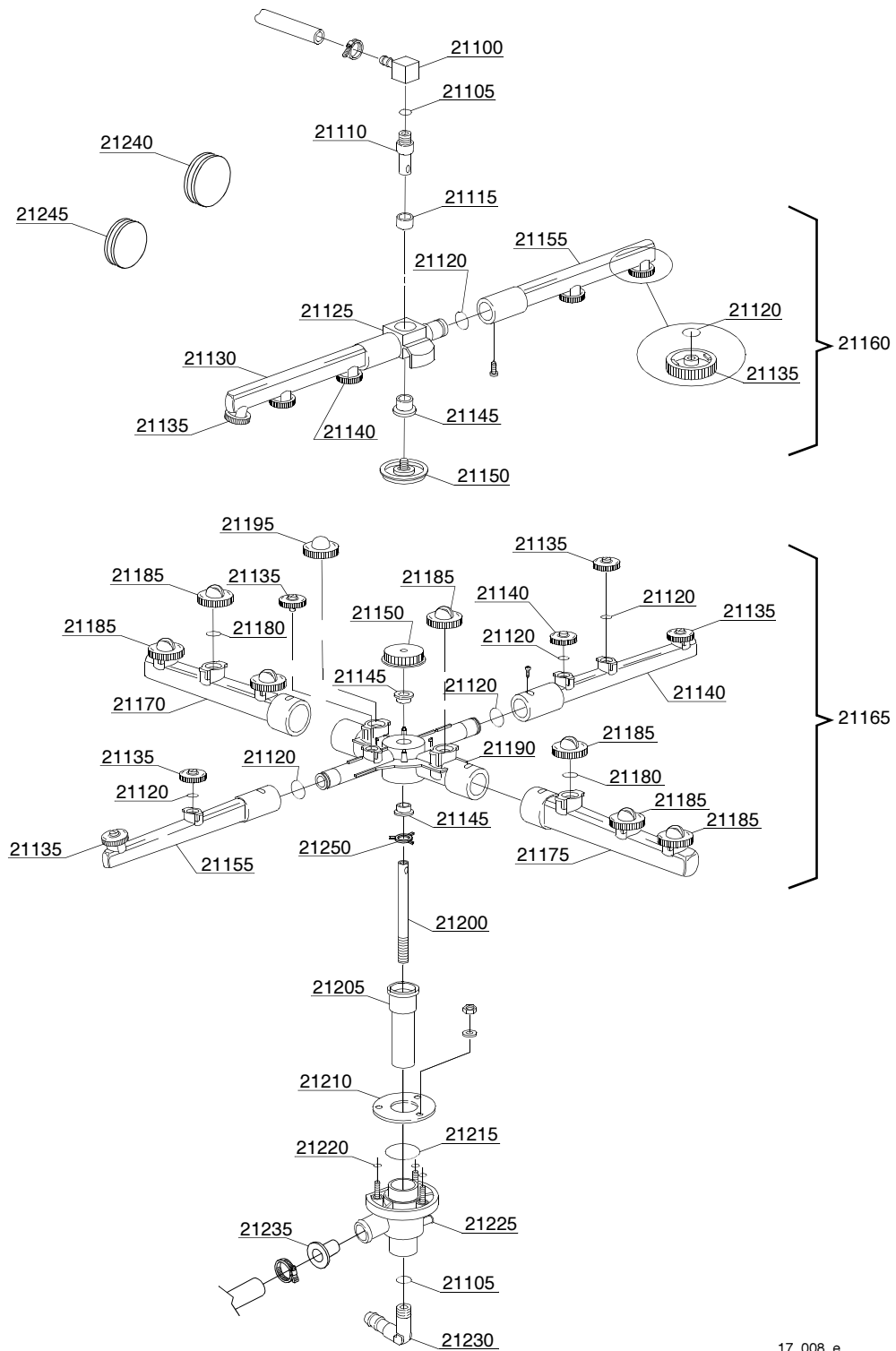
ID	P-code	Model	Type	Accessory	Voltage	Description
MODULE:Drain pump group						
2500	15101		30R	dp		Drain pump
2505	15101/D		30R	dp		Pipe fitting
2510	10727		30R	dp		Drain pipe
2515	18787/A		30R	dp		Drain coude/pump connection pipe



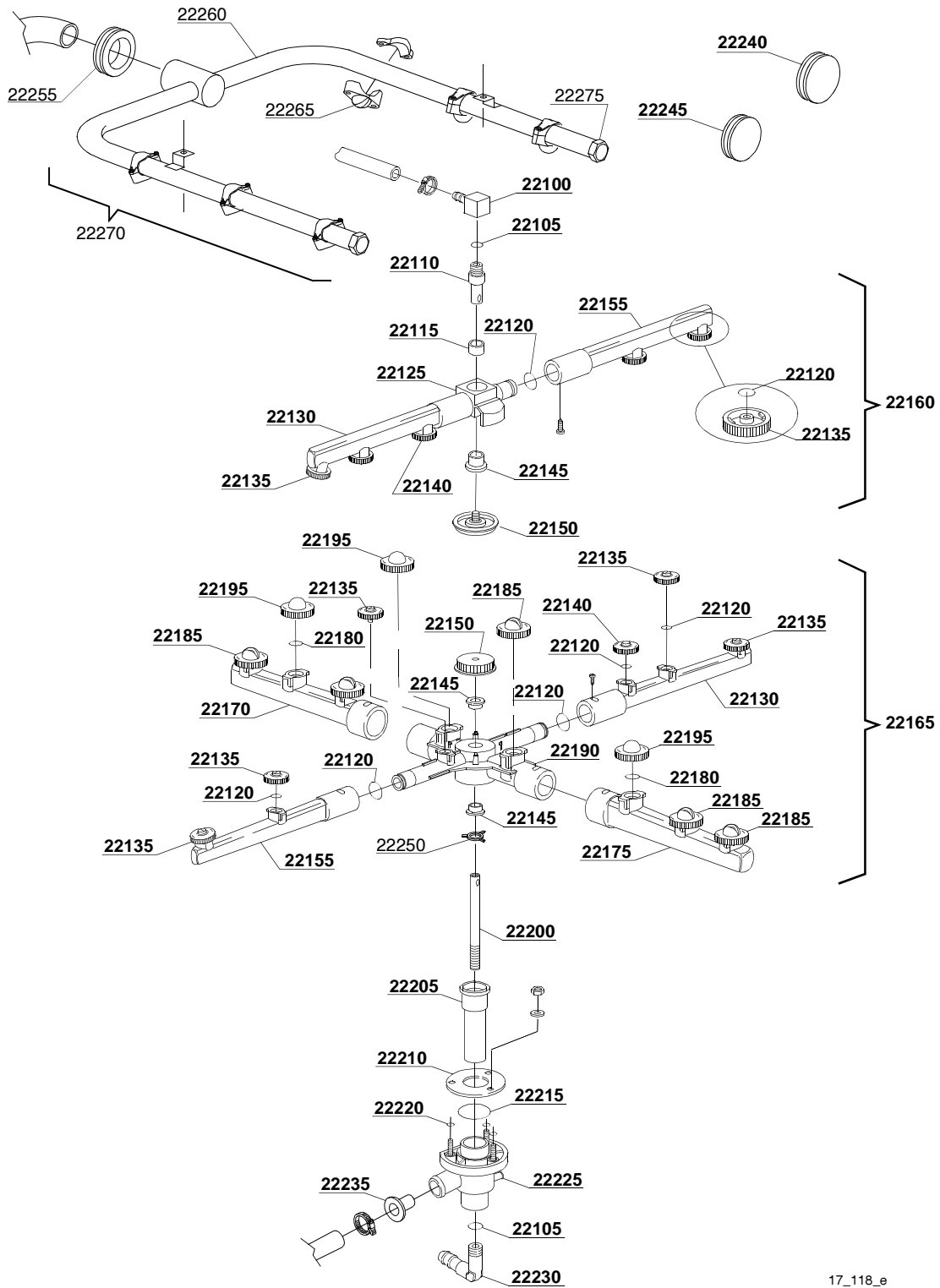
16_001_e

Spare parts

ID	P-code	Model	Type	Accessory	Voltage	Description
MODULE:Pressure switch group with air trap						
2100	10706/A		30R			47-27 pressure switch
2105	10911/D		30R			Air trap assembly
2110	13301		30R			Gasket
2115	11702		30R			M8 stainless steel nut



17_008_e



17_118_e

Spare parts

ID	P-code	Model	Type	Accessory	Voltage	Description
MODULE:Turret group with rotating arms						
22100	350402		30R			Top turret rinse hub
22105	13003		30R			OR 112 NBR gasket
22110	350401		30R			Lower axle rinse hub
22115	13320		30R			Sliding washer
22120	13002		30R			OR R6 NBR gasket
22125	10359		30R			Rinse rotor
22130	10361		30R			Left rinse pipe
22135	12537		30R			Opened head rinse nozzle
22140	12538		30R			Closed head rinse nozzle
22145	13319		30R			Sliding washer
22150	10365		30R			Handle with insert
22155	10360		30R			Right rinse pipe
22160	10996		30R			Top rinse group
22165	18995		30R			Lower wash/rinse group
22170	10355		30R			Right wash pipe
22175	10356		30R			Left wash pipe
22180	13009		30R			OR 2050 NBR gasket
22185	10366		30R			Opened head wash nozzle
22190	10364		30R			Wash rotor
22195	10358		30R			Closed head wash nozzle
22200	135101		30R			10x1x190 stainless steel ground axle
22205	135250		30R			Bell-shape assembly with pipe coupling
22210	16038		30R			O60 stainless steel disk
22215	13000		30R			OR 3125 NBR gasket
22220	13001		30R			OR 104 NBR gasket
22225	10205/A		30R			Lower wash turret
22230	12030		30R			3/8M O12 elbow pipe fitting
22235	12518		30R			Flux reducer
22240	13316/A		30R			DVGW hole gasket
22245	13316		30R			43x10 blind gasket
22250	10203		30R			Guide pipe
22255	13306/A		30R			Top wash ramp gasket
22260	137134		30R			Top wash pipe
22265	18135		30R			Wash nozzle
22265	10221		30R			Wash nozzle
22270	137903		30R			Top wash group
22275	12503		30R			Plug