

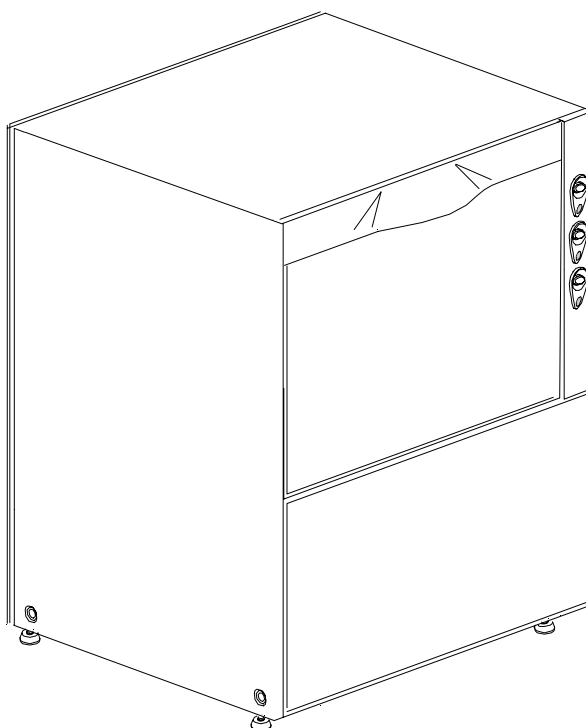
DISHWASHER

ELECTROMECHANICAL SWITCHES
LOWER WASHING
LOWER AND UPPER WASHING

TYPE: 4U

Accessories
COLD RINSE
WATER SOFTNER
DETERGENT DISPENSER

Spare parts manual



1. Spare parts

General body parts.....	5
Lockup system	7
Control panel	9
Control electric components.....	11
Solenoid valve group	13
Solenoid valve group	15
Water softner group.....	17
Shining product dosing device group .	19
Shining product dosing device group .	21
4 ways derivation.....	23
Wash pump	25
Wash pump	27
Dosing device group	29
Drain pump group.....	31
Pressure switch group with air trap ...	33
Turret group with rotating arms	35

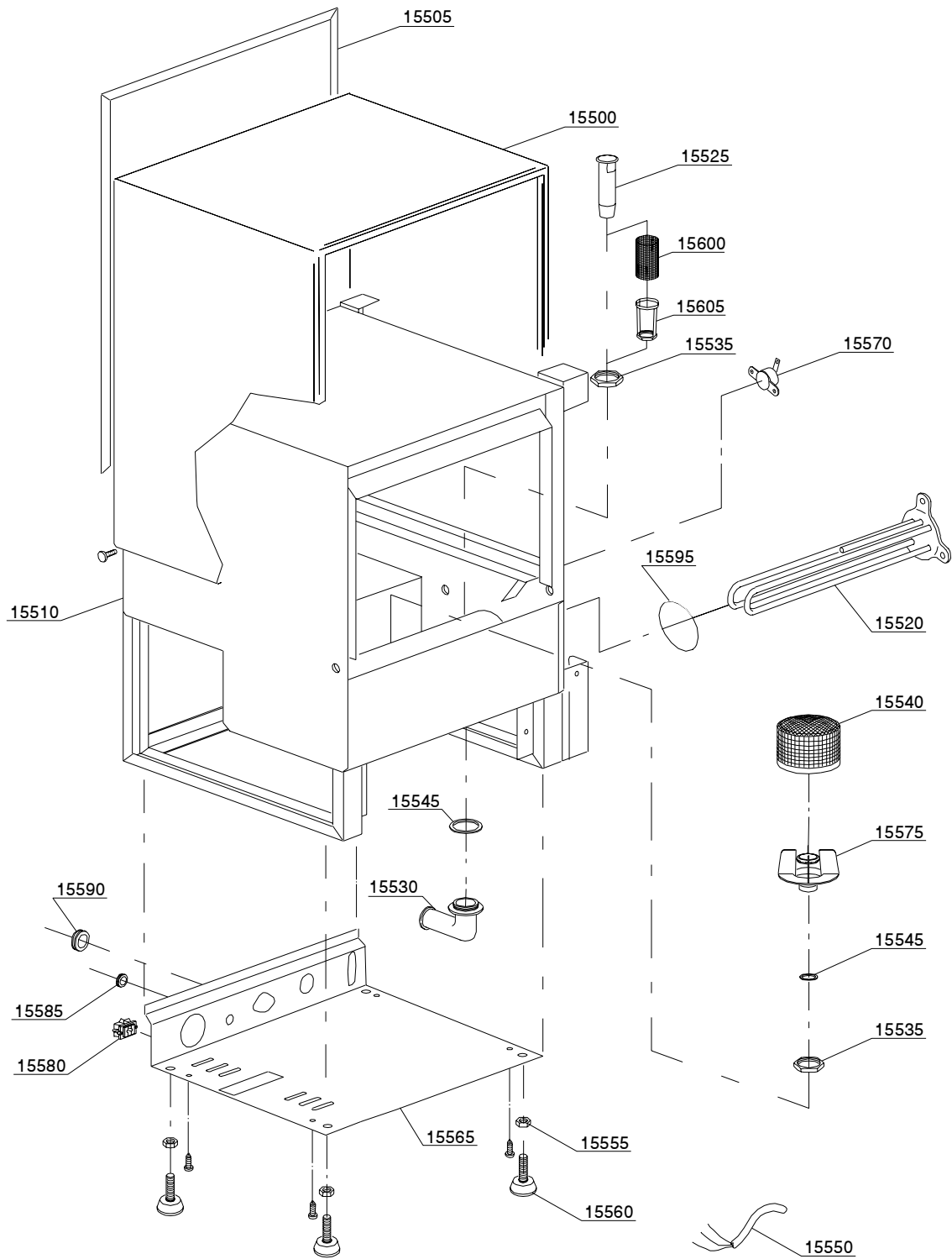
Turret group with rotating arms37

1.1 Voltage codes

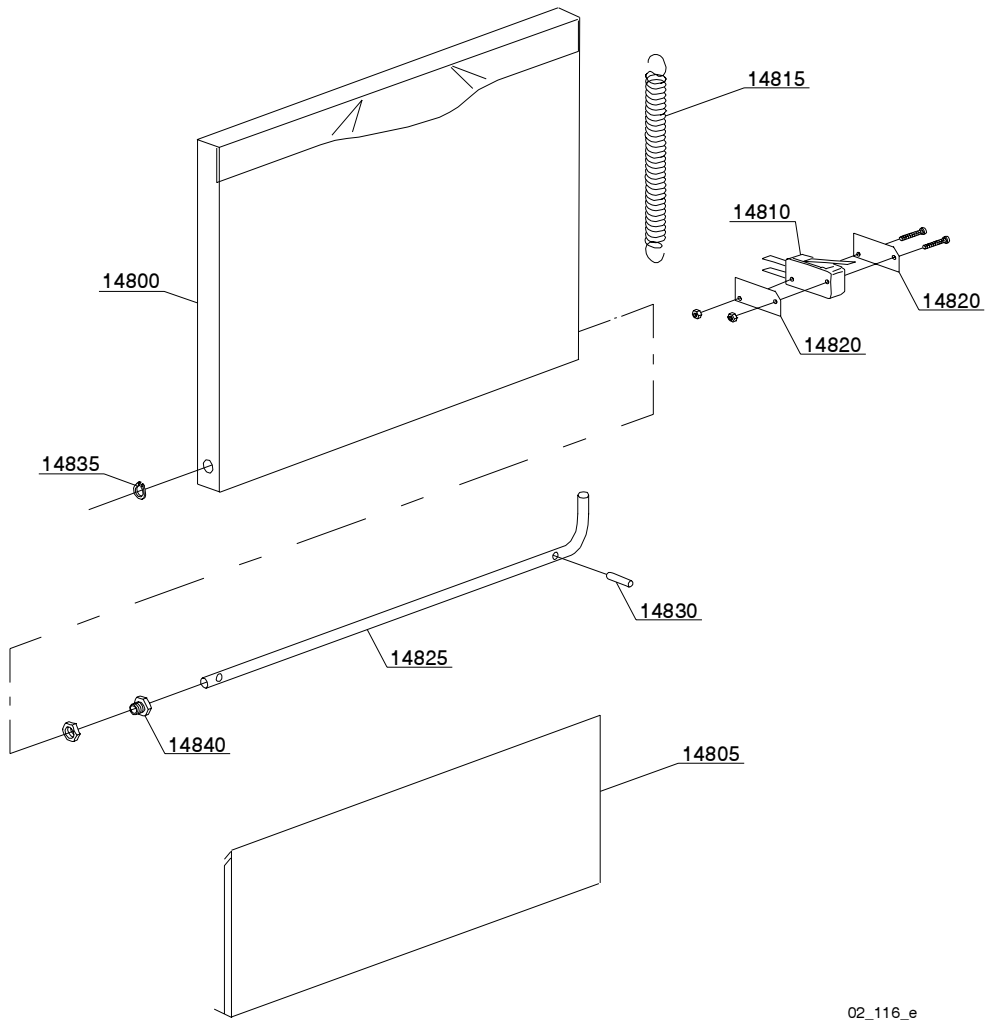
Voltage code	Voltage
A	3/N/PE~400/230V 50Hz
B	~250V 16A 50Hz
C	3/N/PE~380/220V 50Hz
D	3/PE~200V 50-60Hz
F	2/PE 220-240V 50Hz
G	3/N/PE~415/240V 50Hz
H	3/PE~230V 50Hz
I	3/PE~220V 60Hz
J	3/PE~380 50Hz
K	3/PE~400V 50Hz
L	3/PE~415V 50Hz
M	3/PE~440V 60Hz
N	3/PE~460V 60Hz
O	3/PE~480V 60Hz
P	1/N/PE~220-240V 50Hz
R	2/PE~220-230V 60Hz
S	3/N/PE~400/230V 50Hz
T	3/PE~230V 60Hz

1.2 Product codes

Product code	Full name
Model codes	
em	ELECTROMECHANICAL SWITCHES
ls	LOWER AND UPPER WASHING
Type codes	
4U	4U
Accessory codes	
fs	COLD RINSE
d	WATER SOFTNER
dde	DETERGENT DISPENSER



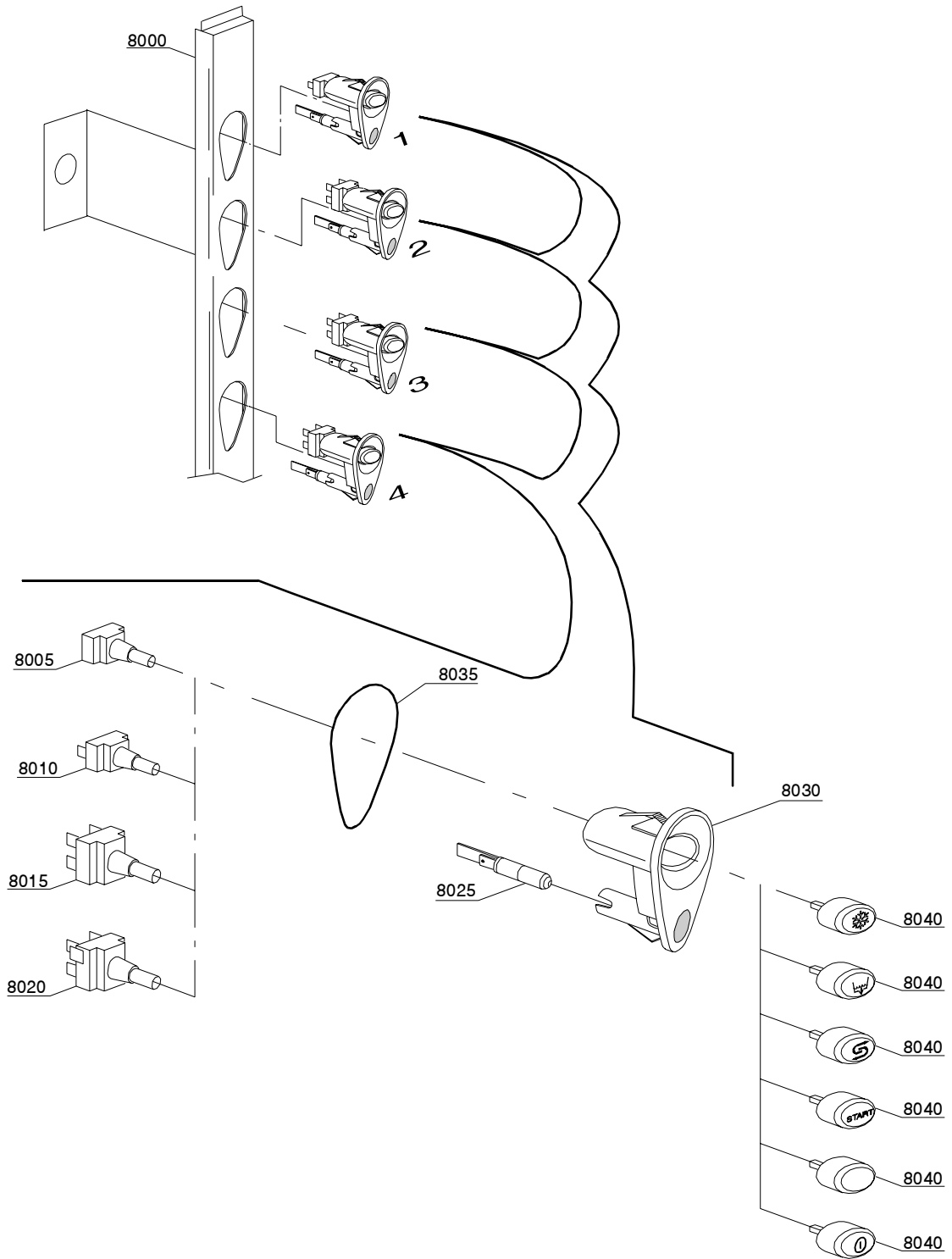
01_018_e



02_116_e

Spare parts

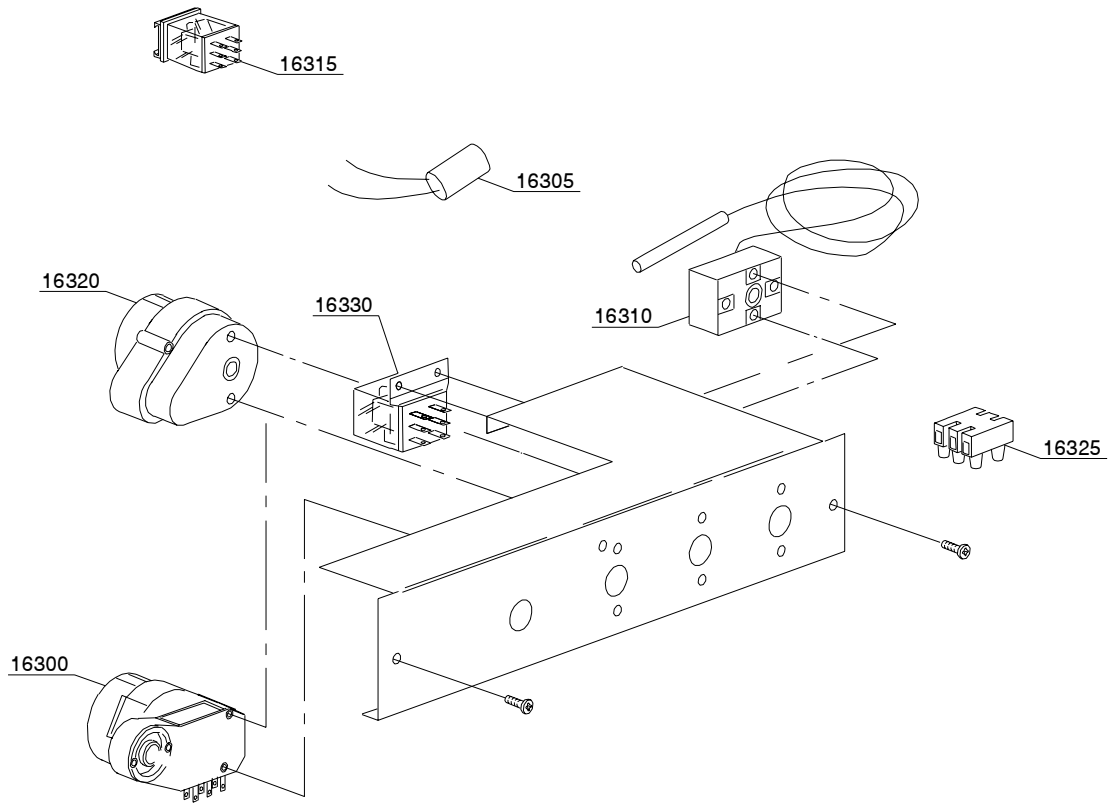
ID	P-code	Model	Type	Accessory	Voltage	Description
MODULE:Lockup system						
14800	18960		4U			Door with stainless steel handle
14805	18203		4U			Lower door
14810	10704		4U			Door microswitch
14815	10700/B		4U			Door spring
14820	10770		4U			Insulating for door microswitch
14825	18136		4U			Rod door
14830	11170		4U			M5x25 grub-screw
14835	11815		4U			Ø8 stainless steel snap ring
14840	11835		4U			Brass bush with nut



03_015_e

Spare parts

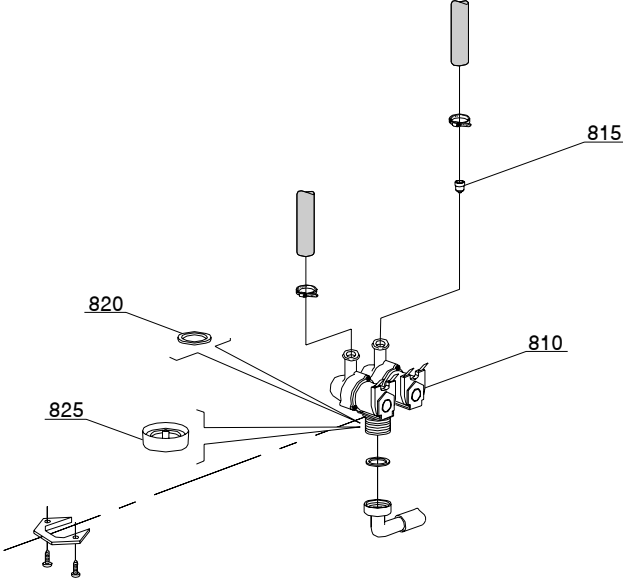
ID	P-code	Model	Type	Accessory	Voltage	Description
MODULE:Control panel						
8000	18944		4U			Star control panel
8005	15844		4U			Key support
8010	15813		4U			16A unipolar push button
8015	15812		4U			16A switch
8020	15811		4U			16A bipolar switch
8025	15826		4U			Pilot light
8030	89300		4U			Key support
8035	89332		4U			OR gasket
8040	89344		4U	cr		Hot/cold key
8040	89343		4U	dp		Drain pump key
8040	89341		4U			Start key
8040	89348		4U			Blind key
8040	89340		4U			ON-OFF key
8040	89345		4U	ws		Regeneration key



04_016_e

Spare parts

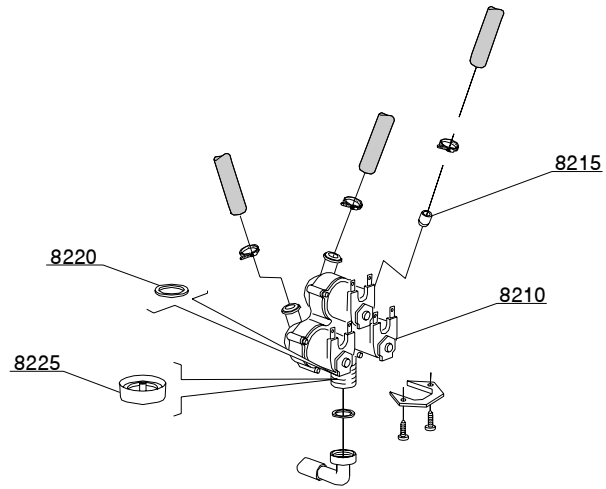
ID	P-code	Model	Type	Accessory	Voltage	Description
MODULE:Control electric components						
16300	10708/L		4U		A	"120"" timer - 230Vac 50Hz"
16300	10708/B		4U			"120"" timer - 220Vac 60Hz"
16305	15146		4U			Low noise filter
16310	10707/1		4U			0-90°C thermostat
16315	16047		4U	ws		16A bipolar relay
16320	16064/A		4U	ws		Regeneration timer
16325	15065		4U			Terminal board
16330	15620		4U	dp		16A bipolar relay



05_003_e

Spare parts

ID	P-code	Model	Type	Accessory	Voltage	Description
MODULE:Solenoid valve group						
810	15098		4U	cr,ws		Double solenoid valve - Ø10
815	15115		4U	cr,ws		Green pression solenoid valve
820	N.C.		4U	cr,ws		Pression reducing valve

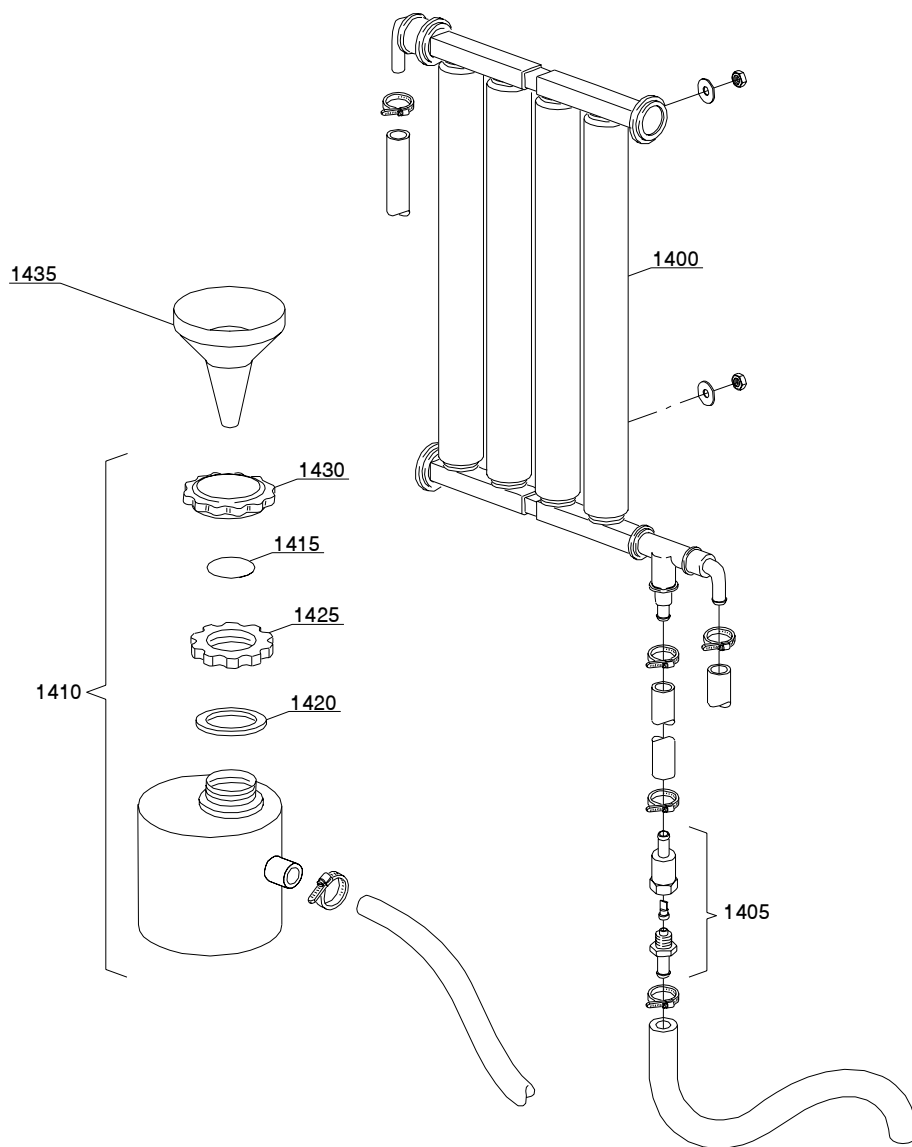


05_004_e

Spare parts

ID	P-code	Model	Type	Accessory	Voltage	Description
MODULE:Solenoid valve group						
8210	15099		4U	cr,ws		Triple solenoid valve
8215	15115		4U	cr,ws		Green pression solenoid valve

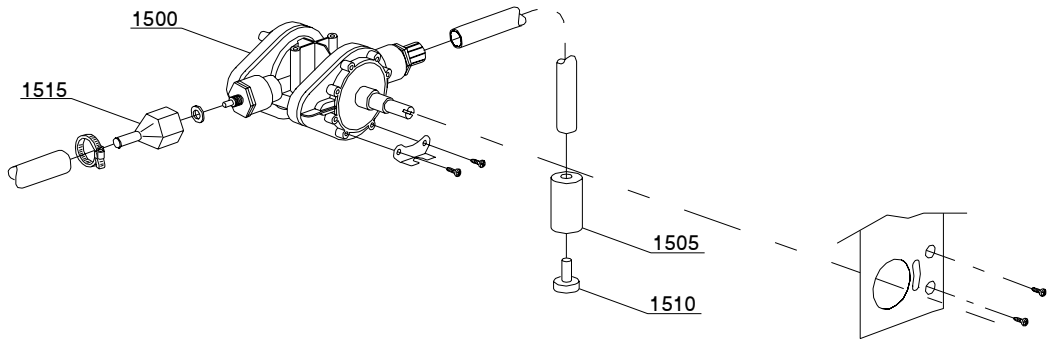
09_001_e



Spare parts

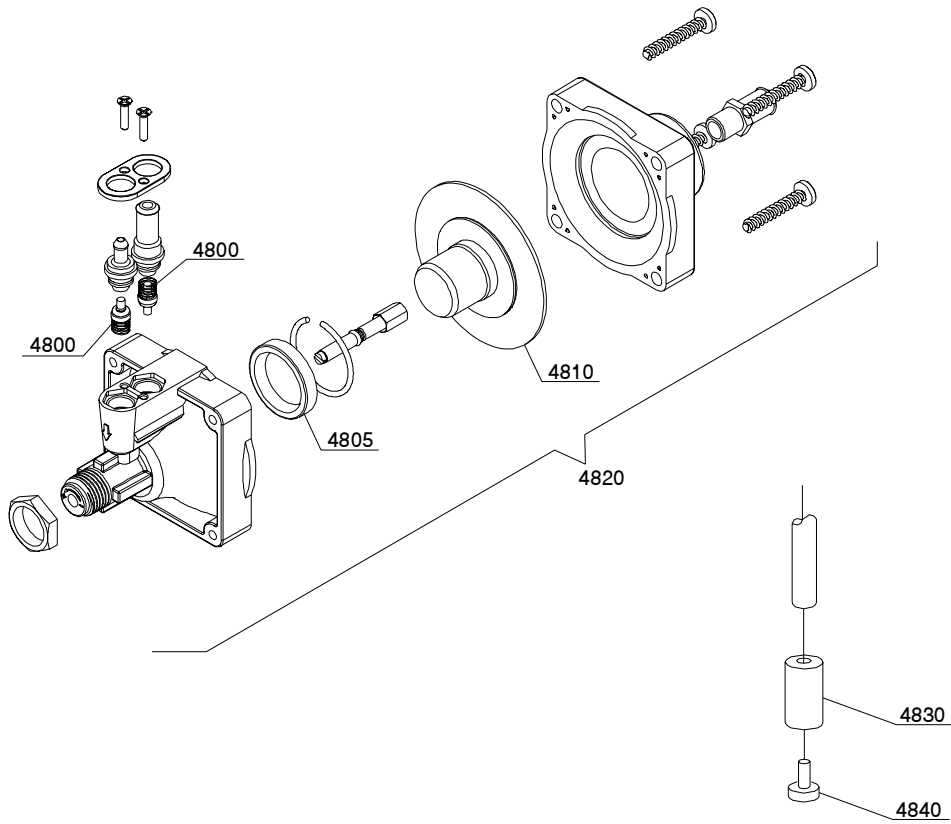
ID	P-code	Model	Type	Accessory	Voltage	Description
MODULE:Water softner group						
1400	16066		4U	ws		4 elements water softner
1405	16070		4U	ws		Nonreturn valve
1410	16065		4U	ws		Salt container
1415	16067/A		4U	ws		OR gasket
1420	16067/B		4U	ws		Gasket
1425	16067/C		4U	ws		Ring nut
1430	16067/D		4U	ws		Plug
1435	16082		4U	ws		Funnel

10_002_e



Spare parts

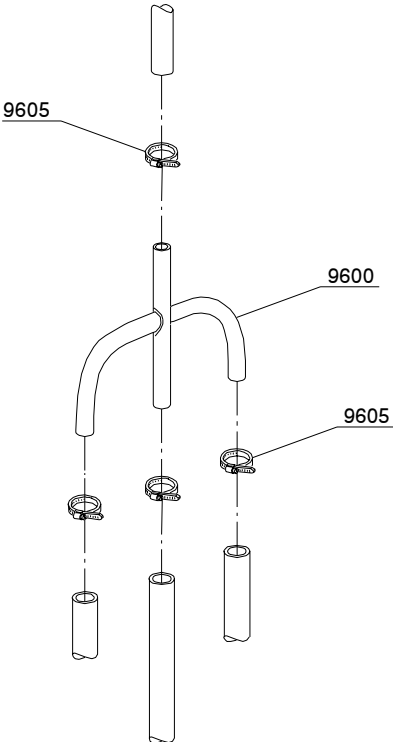
ID	P-code	Model	Type	Accessory	Voltage	Description
MODULE:Shining product dosing device group						
1500	10798		4U			Shining product dosing device
1505	12525		4U			Counter-weight
1510	15058		4U			Small filter
1515	10798/B		4U			Brass pipe fitting



10_004_e

Spare parts

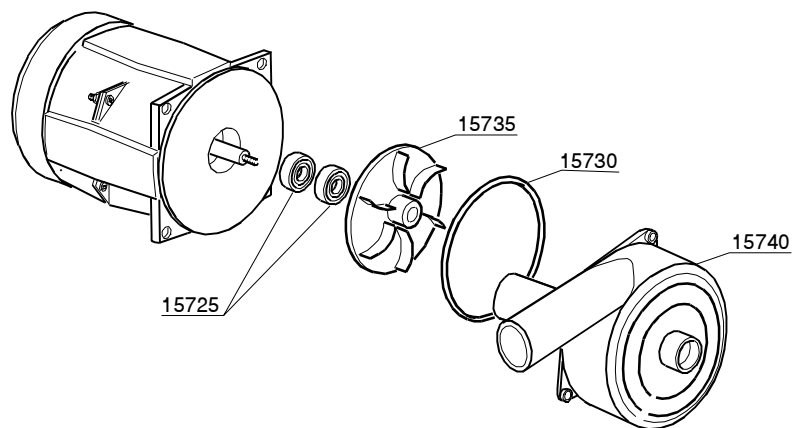
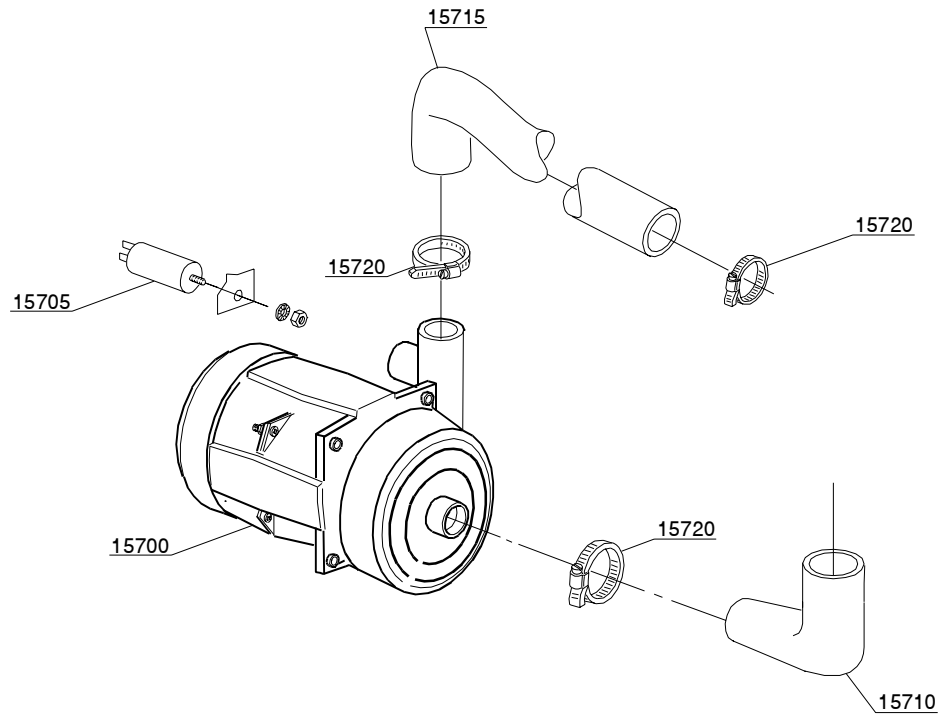
ID	P-code	Model	Type	Accessory	Voltage	Description
MODULE:Shining product dosing device group						
4800	10805		4U			Tecnopro dosing valve
4805	10806		4U			Ø22 gasket
4810	10807		4U			Membrane
4820	10799		4U			Shining product dosing device
4830	12525		4U			Counter-weight
4840	15058		4U			Small filter



12_004_e

Spare parts

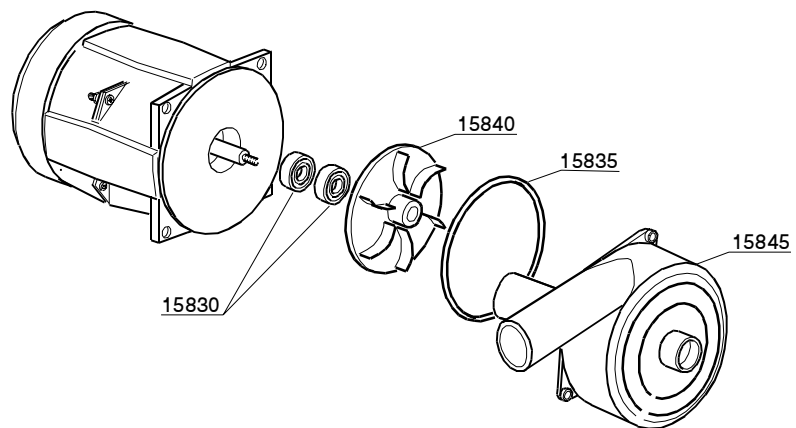
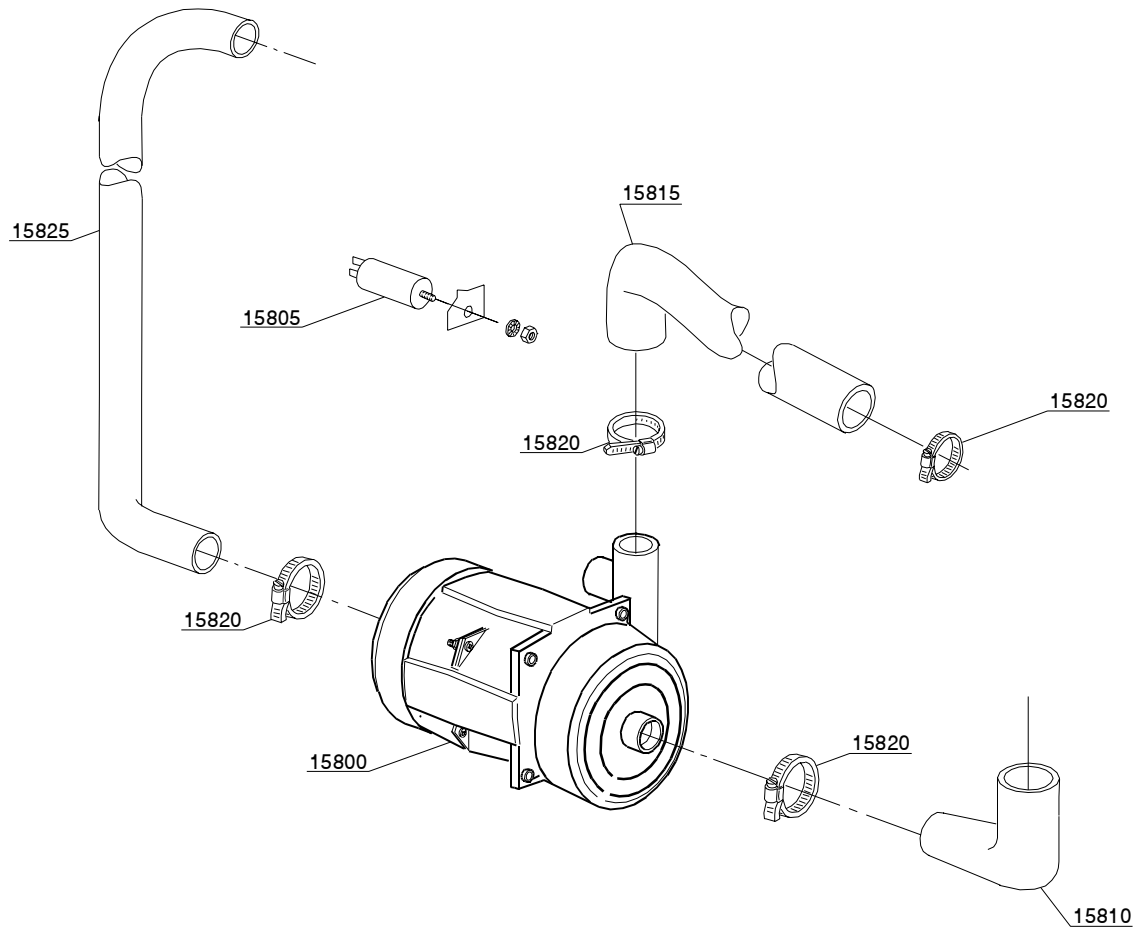
ID	P-code	Model	Type	Accessory	Voltage	Description
MODULE:4 ways derivation						
9600	15151		4U			Ø10 mm 4 ways derivation
9605	11807		4U			12/22 clamp



13_006_e

Spare parts

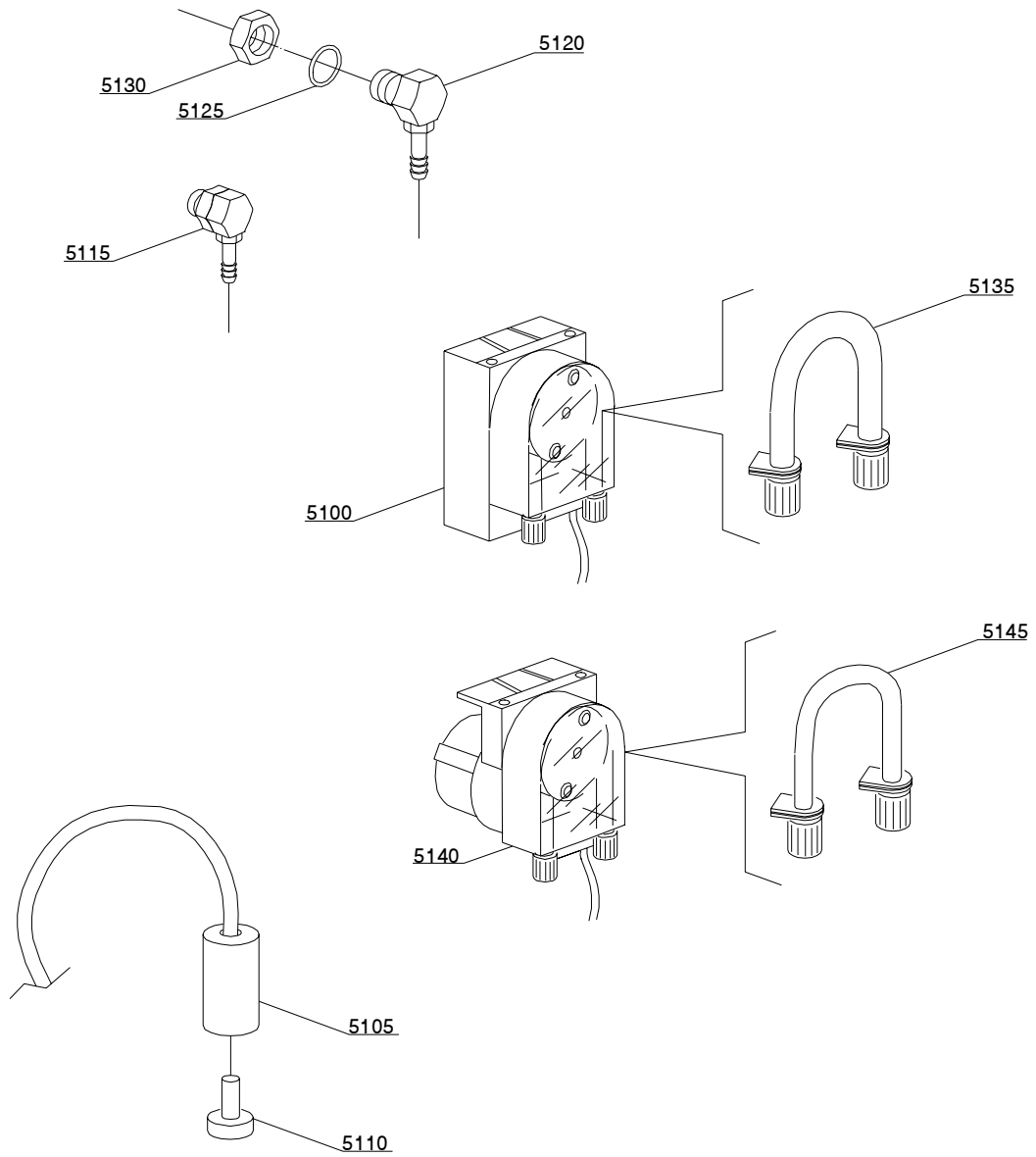
ID	P-code	Model	Type	Accessory	Voltage	Description
MODULE:Wash pump						
15700	18243		4U			0,33Hp wash pump
15700	18243/A		4U			0,33Hp wash pump - 220VAc 60Hz
15705	18043		4U			10 uF condenser
15710	18787		4U			Suction pipe coupling
15715	18788		4U			Delivery side pipe coupling
15720	11806		4U			25/40 clamp
15725	15080		4U			Rotating seals
15730	18245		4U			OR gasket
15735	18246		4U			Pump rotor
15740	18247		4U			Scroll
15740	18248		4U			Scroll



13_112_e

Spare parts

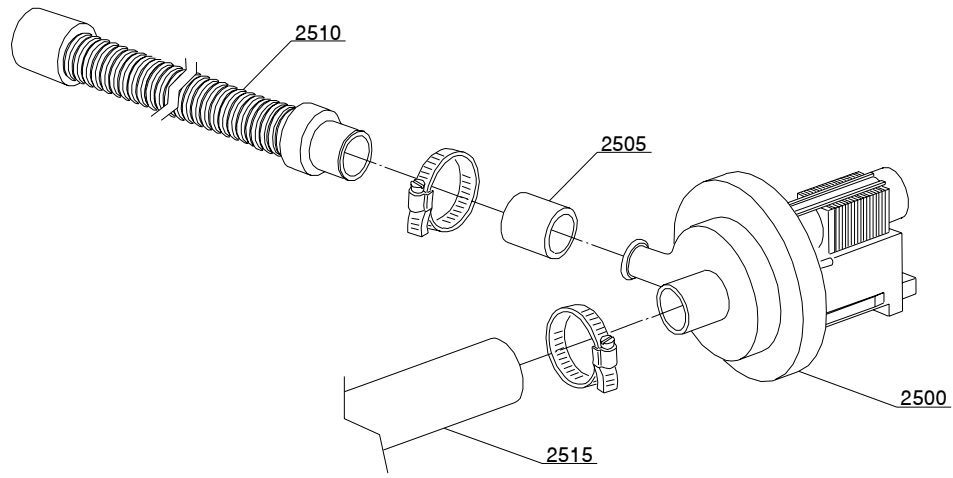
ID	P-code	Model	Type	Accessory	Voltage	Description
MODULE:Wash pump						
15800	18242		4U			0,30Hp wash pump
15800	18242/D		4U			0,30Hp wash pump - 220Vac 60Hz
15805	18043		4U			10 uF condenser
15810	18787		4U			Suction pipe coupling
15815	18788		4U			Delivery side pipe coupling
15820	11806		4U			25/40 clamp
15825	18044		4U			Ø28 top wash pipe
15830	15080		4U			Rotating seals
15835	18245		4U			OR gasket
15840	18246		4U			Pump rotor
15845	18247		4U			Scroll



14_004_e

Spare parts

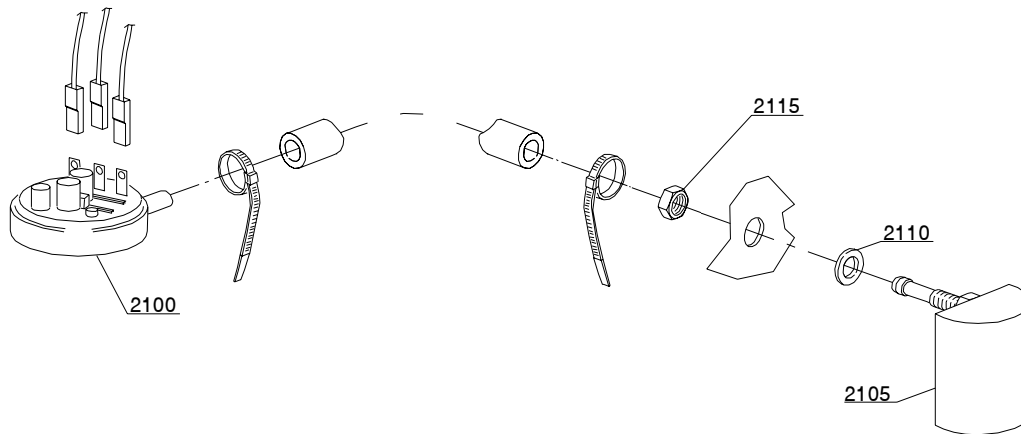
ID	P-code	Model	Type	Accessory	Voltage	Description
MODULE:Dosing device group						
5100	15985		4U	dd		Seko dosing device
5105	12525		4U	dd		Counter-weight
5110	15058		4U	dd		Small filter
5115	15123		4U	dd		Complect plastic injector
5120	15148		4U	dd		Steel injector
5125	15159		4U	dd		OR gasket
5130	10200205		4U	dd		M12x1 stainless steel nut
5135	15185		4U	dd		Seko thermoplastic pipe
5140	15985		4U	dd		Germac dosing device
5145	15108/E		4U	dd		Germac thermoplastic pipe



15_004_e

Spare parts

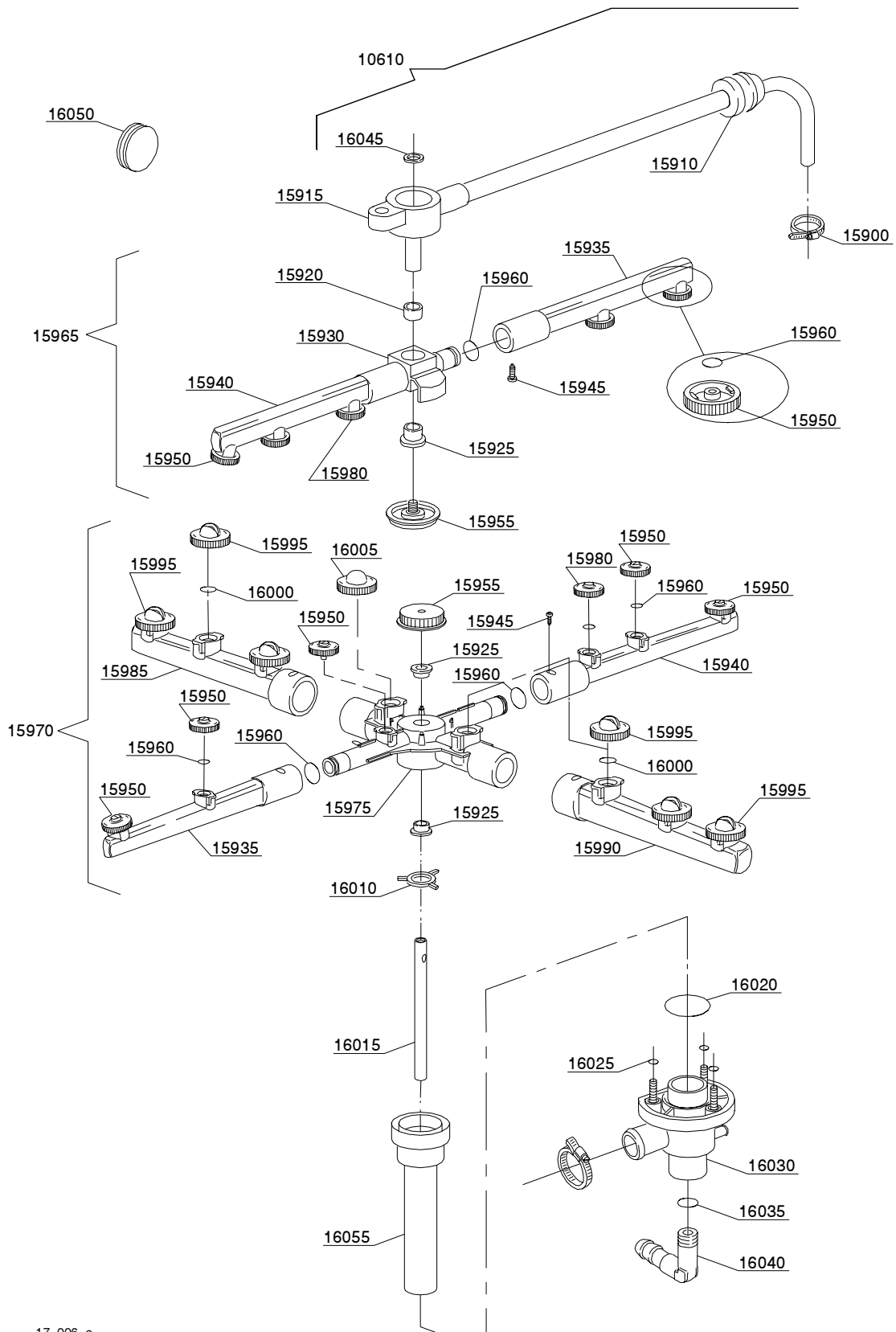
ID	P-code	Model	Type	Accessory	Voltage	Description
MODULE:Drain pump group						
2500	15101		4U	dp		Drain pump
2505	15101/D		4U	dp		Pipe fitting
2510	10727		4U	dp		Drain pipe
2515	10718		4U	dp		Drain coude/pump connection pipe



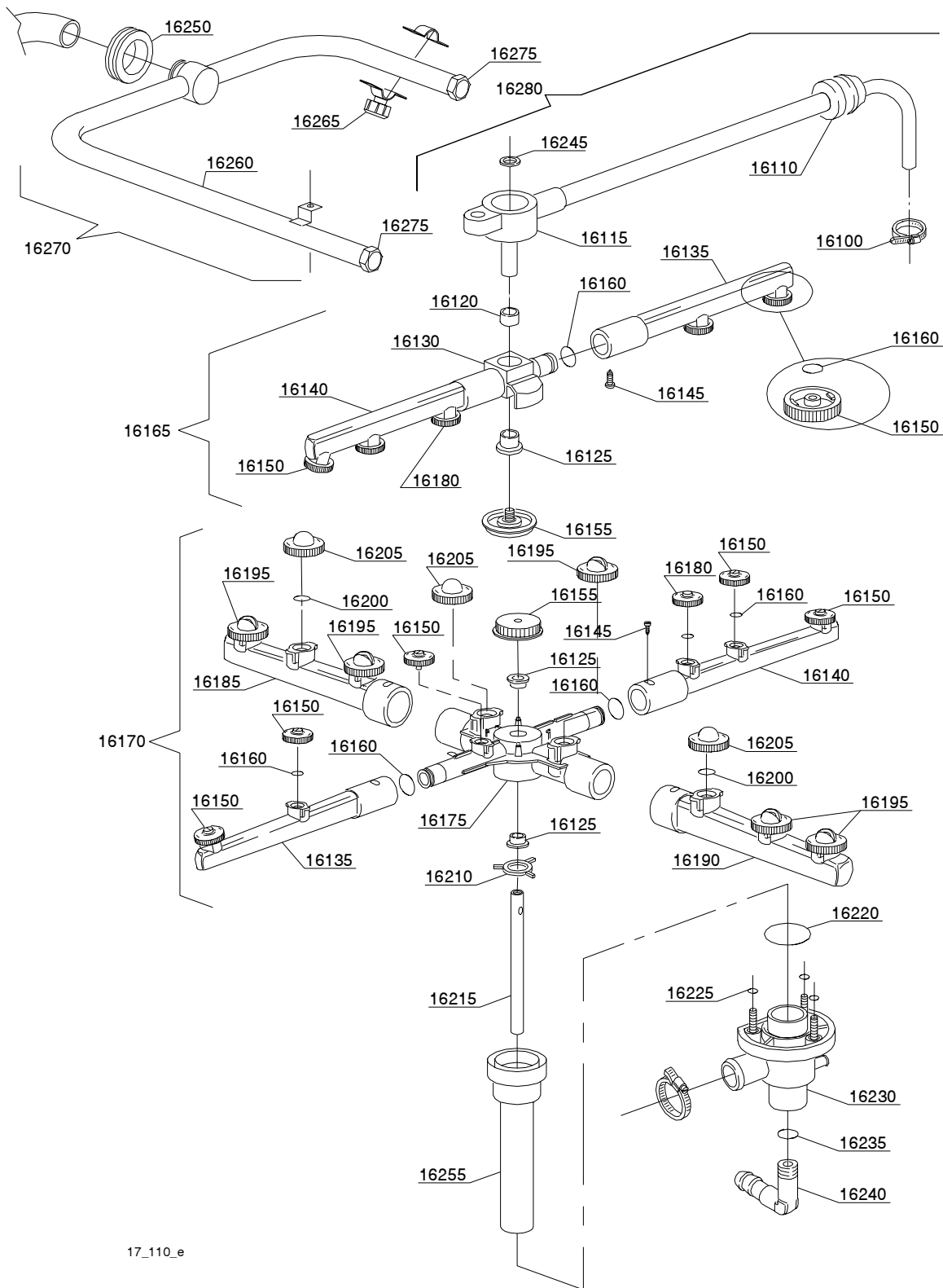
16_001_e

Spare parts

ID	P-code	Model	Type	Accessory	Voltage	Description
MODULE:Pressure switch group with air trap						
2100	10706/A		4U			47-27 pressure switch
2105	10911		4U			Air trap assembly
2110	13301		4U			Gasket
2115	11702		4U			M8 stainless steel nut



17 006 a



17_110_e

Spare parts

ID	P-code	Model	Type	Accessory	Voltage	Description
MODULE:Turret group with rotating arms						
16100	11807		4U			12/22 clamp
16110	13304		4U			Pipe-pass gasket
16115	10909		4U			Top rinse turret
16120	13320		4U			Sliding washer
16125	13319		4U			Sliding washer
16130	10359		4U			Rinse rotor
16135	10360		4U			Right rinse pipe
16140	10361		4U			Left rinse pipe
16145	11004		4U			4x10 TCB Ø8 spax toothed screw
16150	12537		4U			Opened head rinse nozzle
16155	10365		4U			Handle with insert
16160	13002		4U			OR R6 NBR gasket
16165	10996		4U			Top rinse group
16170	18995		4U			Lower wash/rinse group
16175	10364		4U			Wash rotor
16180	12538		4U			Closed head rinse nozzle
16185	10355		4U			Right wash pipe
16190	10356		4U			Left wash pipe
16195	10366		4U			1,9 opened head wash nozzle
16200	13009		4U			OR 2050 NBR gasket
16205	10358		4U			Closed head wash nozzle
16210	10203		4U			Guide pipe
16215	18510		4U			Rinse axle
16220	13000		4U			OR 3125 NBR gasket
16225	13001		4U			OR 104 NBR gasket
16230	10205/A		4U			Lower wash turret with hole
16235	13003		4U			OR 112 NBR gasket
16240	12030		4U			3/8M Ø12 elbow pipe fitting
16245	11610		4U			Copper washer
16250	13306/A		4U			Top wash ramp gasket
16255	18250/A		4U			Bell-shape assembly with pipe coupling
16260	18134		4U			Top wash pipe
16265	18135		4U			Wash nozzle
16270	18903		4U			Top wash group
16275	12503		4U			Plug
16280	10993		4U			Top rinse turret group