

# DISHWASHER

ELECTROMECHANICAL SWITCHES  
LOWER WASHING  
LOWER AND UPPER WASHING

TYPE: AQU40

Accessories  
BREAK TANK  
BOOSTER PUMP  
DVGW  
COLD RINSE  
WATER SOFTNER  
DETERGENT DISPENSER  
DRAIN PUMP

---

## Spare parts manual

---



## Parti di ricambio Spare Parts Catalogues pièces

### INFORMAZIONI GENERALI

Questo catalogo serve per richiedere con esattezza le parti di ricambio

Nelle ordinazioni indicare:

1) il numero dei codici dei particolari seguito dalla descrizione e la quantità desiderata;

2) Il codice alfa-numeric presente nella seconda colonna della tabella ;

**I disegni delle parti di ricambio sono solo indicativi e non rappresentano il pezzo in oggetto.**

**I dati contenuti in questo catalogo sono indicativi e possono essere soggetti a modifiche senza impegno di preavviso.**

### ALLGEMEINE INFORMATIONEN

Dieser Ersatzteilkatalog dient zur genauen Angabe der Teile bei Ersatzteilbestellungen.

Bei Ersatzbestellung ist folgendes anzugeben:

1) Die Bestellnummer der Ersatzteile mit der entsprechenden Beschreibung genaue Menge;

2) Der alpha-numerischer Code auf der zweiten Reihe in dein Spalte;

**Die Zeichnungen der Ersatzteile sind nur als Hinweise gedacht und stellen nicht das betroffene Teil dar.**

**Bei den im Katalog angeführten Daten handelt es sich um Anhaltsdaten, die jederzeit, ohne Vorankündigung, geändert werden können.**

### GENERAL INFORMATION

The present spare parts order exactly the right spare parts

When ordering specify:

1) the part's code number followed by its description and quantity needed;

2) The alpha-numeric code is in the second column in the chart;

**Spare parts drawings are general and do not represent the part.**

**The contents of this catalogue are general and can undergo changes without prior notice.**

### INFORMACIONES GENERALES

El presente catálogo sirve para pedir con exactitud las partes de repuesto

En los pedidos se debe indicar:

1) el número de código de la parte y a continuación la descripción cantidad deseada;

2) El código alfanumérico presente en la signada columna de la tabla;

**Los diseños de las partes de recambio son solo indicativos y no representan la pieza en cuestión.**

**Los datos contenidos en el presente catálogo son indicativos y pueden modificarse sin aviso previo.**

### INFORMATIONS GENERALES

Ce catalogue permet de commander correctement les pièces détachées

Les commandes doivent être passées en indiquant:

1) le numero de code des pièces détachées suivi de leur description quantité désirée;

2) le code alphanumérique dans la deuxième colonne du tableau;

**Les plans des pièces détachées sont fournis seulement à titre indicatif et ne représentent pas la pièce concernée.**

**Les données de ce catalogue sont citées seulement à titre indicatif et peuvent être l'objet de modifications sans avis préalable.**

### ESEMPIO EXAMPLE EXEMPLE BEISPIEL

Rif.	Codici
MODULE:Particolari	
10505	540903
10510	540908
10515	15065/A
10520	540086
10525	540028



#### Note

Tutte le informazioni riportate si intendono aggiornate alla data di stampa. Il Produttore si riserva il diritto di apportare qualsiasi modifica richiesta dallo sviluppo evolutivo dei suddetti prodotti.

Per la sicurezza, la garanzia, l'affidabilità ed il valore della lavastoviglie usa solo ricambi originali.



#### Attenzione

Questo libretto è parte integrante della lavastoviglie e, in caso di passaggio di proprietà, deve essere consegnato al nuovo acquirente.



#### Remarque

Toutes les informations contenues dans ce manuel s'entendent mises à jour à la date d'impression. En raison du développement constant de ses produits, usine se réserve le droit d'apporter à tout instant les modifications qu'elle jugera utiles.

Pour la sécurité, la garantie, la fiabilité et la valeur de votre lavevaisselles n'utilisez que des pièces de rechange d'origine.



#### Attention

Ce manuel doit être considéré comme partie intégrante de la la lavevaisselles, en cas de transfert de propriété, doit toujours être remis au nouveau propriétaire.



#### Note

The information contained herein is valid at the time of going to print. The Company reserves the right to make any changes required by the future development of the above-mentioned products.

For your safety, as well as to preserve the warranty reliability and worth of your dishwashers, use original spare parts only.



#### Warning

This manual forms an integral part of the dishwashers and - if a transfer of title occurs - must always be handed over to the new owner.



#### Hinweis

Die Der Hersteller behält sich das Recht vor, jegliche, durch eine Weiterentwicklung der genannten Produkte bedingte Änderungen vornehmen zu können.

Verwenden Sie für Ihre Sicherheit, die Garantie, die Zuverlässigkeit und den Wert Ihrer machine originale Ersatzteile.



#### Achtung

Diese Betriebsanleitung ist Bestandteil des machine und muss bei seinem Weiterverkauf dem neuen Besitzer ausgehändigt werden.

## 1. Spare parts

General body parts.....	7
Lockup system .....	9
Control panel and switches.....	11
Electric control components.....	13
Solenoid valve group .....	15
Solenoid valve group .....	17
Break Tank .....	19
Booster pump.....	21
DVGW .....	23
Water softner group.....	25
Rinse aid dispenser group.....	27
Boiler group .....	29
3 ways connection .....	31
4 ways connection .....	33
Wash pump .....	35
Wash pump .....	37

---

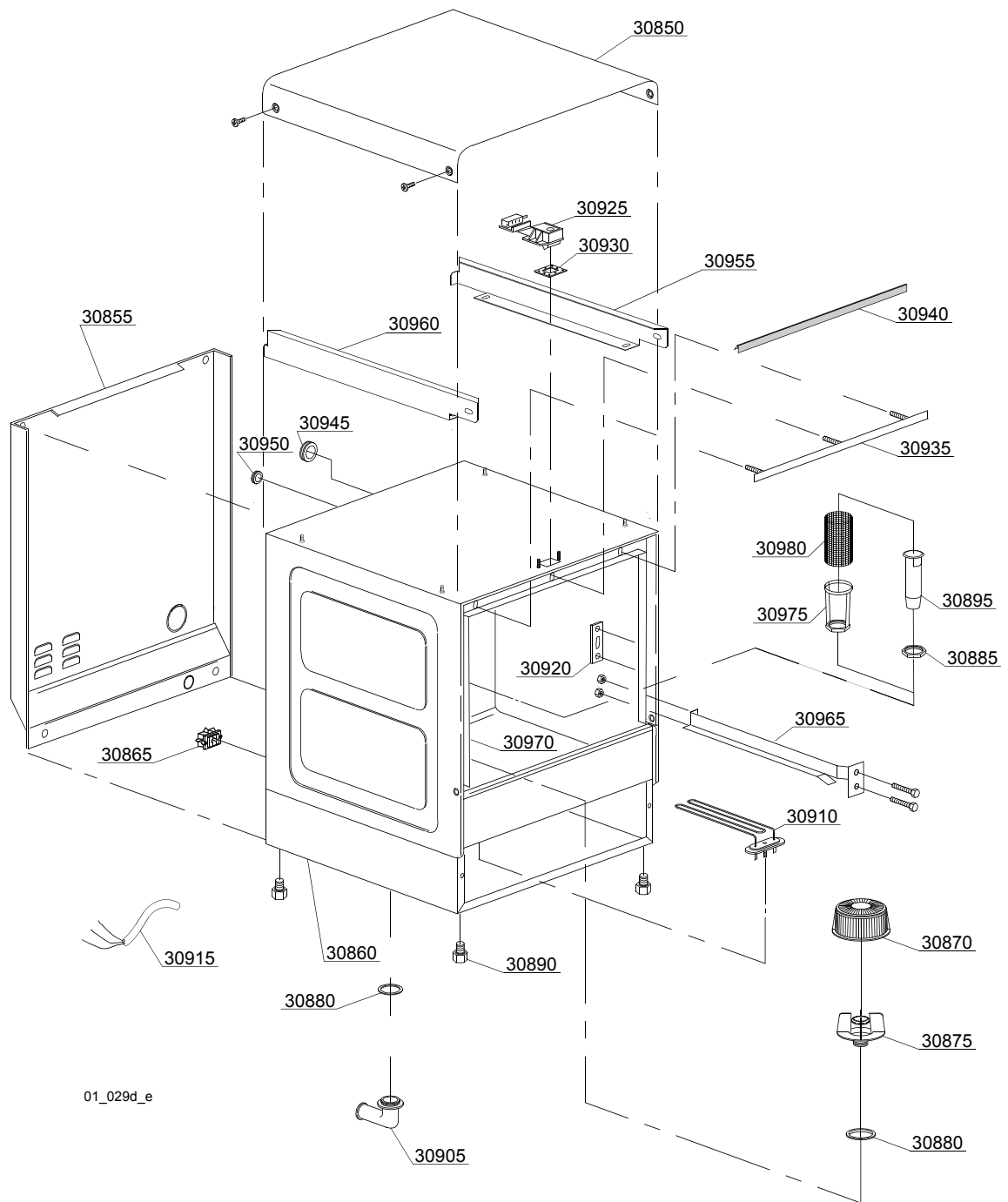
<b>Dosing detergent group.....</b>	<b>39</b>
<b>Drain pump group.....</b>	<b>41</b>
<b>Pressure switch group with air trap ...</b>	<b>43</b>
<b>Turret group with rotating arms .....</b>	<b>45</b>
<b>Turret group with rotating arms .....</b>	<b>47</b>

## 1.1 Voltage codes

Voltage code	Voltage
A	3/N/PE~400/230V 50Hz
B	~250V 16A 50Hz
C	3/N/PE~380/220V 50Hz
D	3/PE~200V 50-60Hz
F	2/PE 220-240V 50Hz
G	3/N/PE~415/240V 50Hz
H	3/PE~230V 50Hz
I	3/PE~220V 60Hz
J	3/PE~380 50Hz
K	3/PE~400V 50Hz
L	3/PE~415V 50Hz
M	3/PE~440V 60Hz
N	3/PE~460V 60Hz
O	3/PE~480V 60Hz
P	1/N/PE~220-240V 50Hz
R	2/PE~220-230V 60Hz
S	3/N/PE~400/230V 50Hz
T	3/PE~230V 60Hz

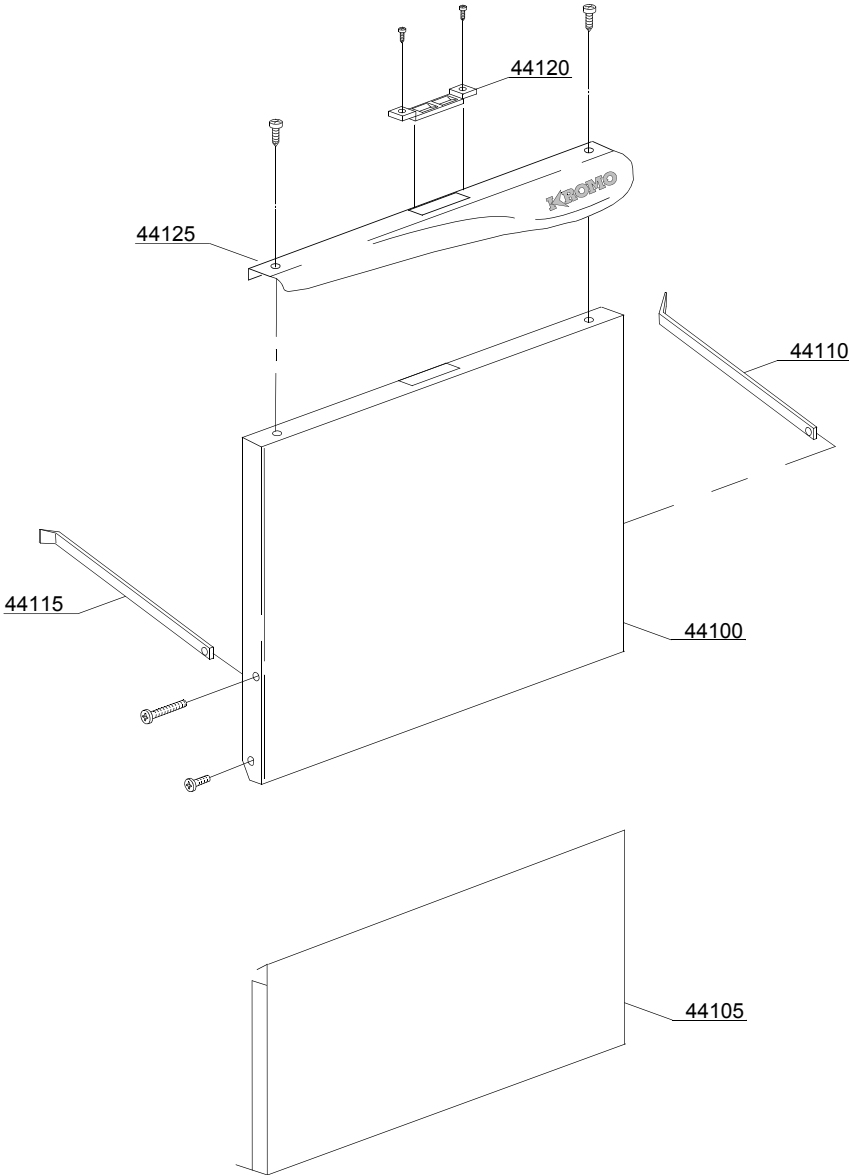
## 1.2 Product codes

Product code	Full name
Model codes	
em	ELECTROMECHANICAL SWITCHES
cf	LOWER WASHING
ls	LOWER AND UPPER WASHING
Type codes	
AQU40	AQU40
Accessory codes	
bt	BREAK TANK
pap	BOOSTER PUMP
dvgw	DVGW
fs	COLD RINSE
d	WATER SOFTNER
dde	DETERGENT DISPENSER
ps	DRAIN PUMP



## Spare parts

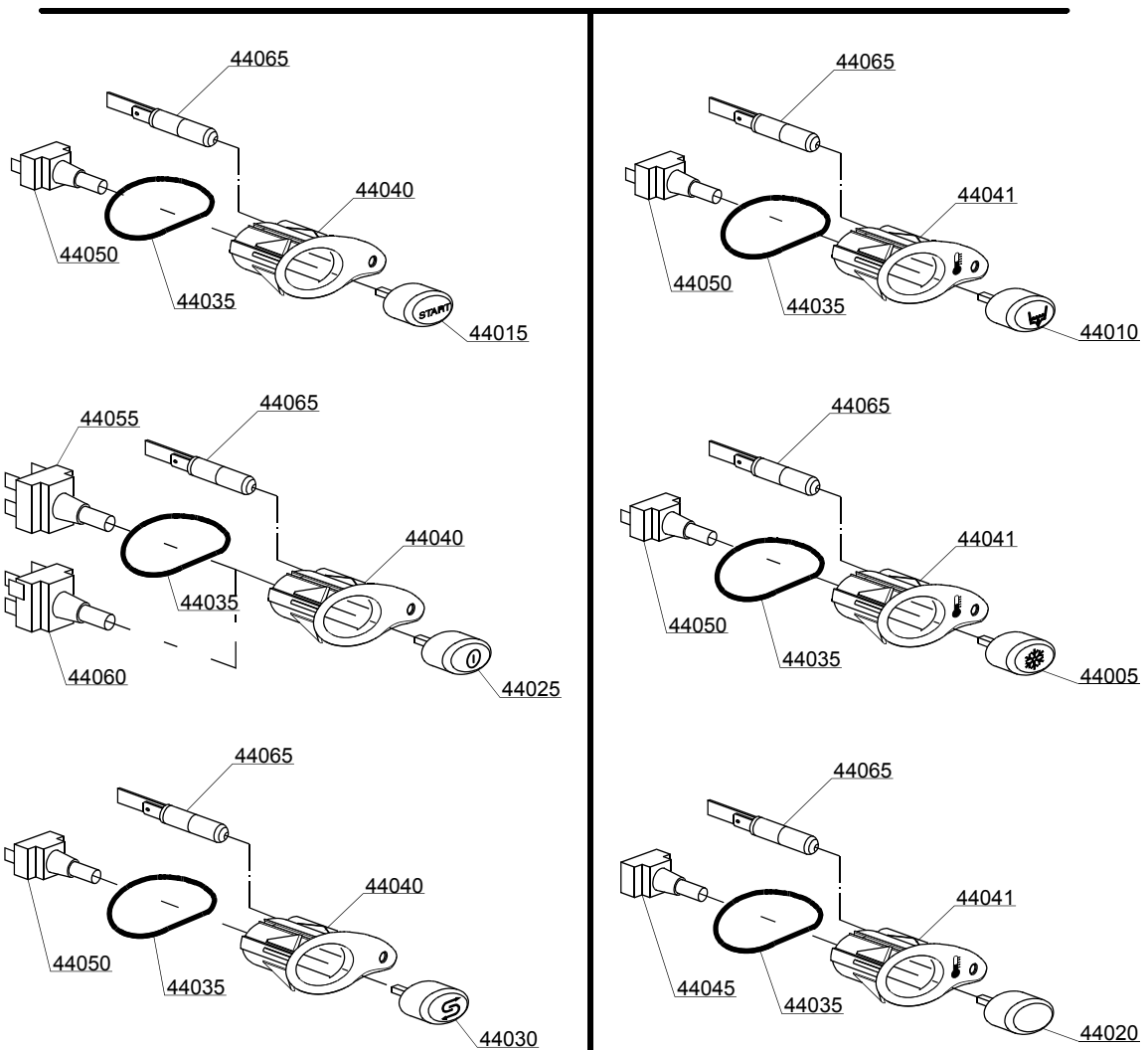
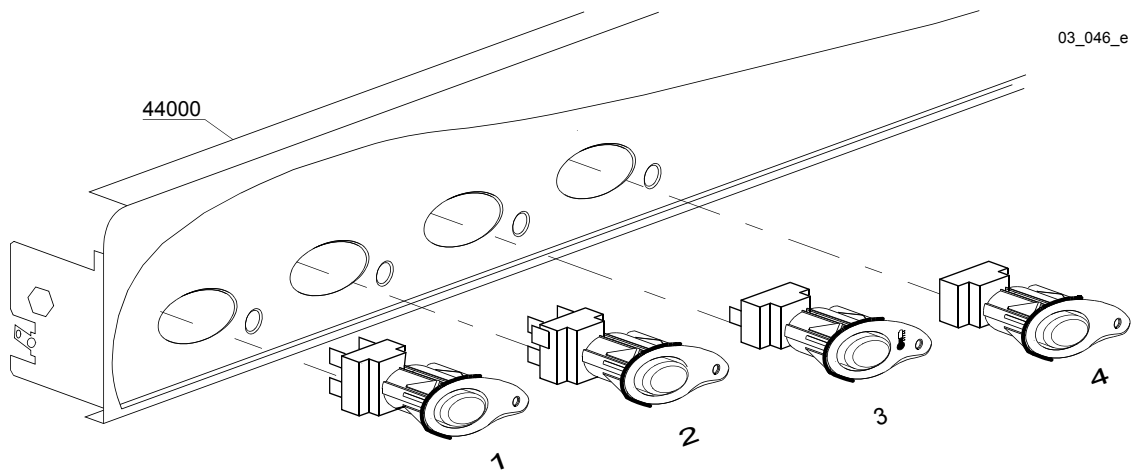
ID	P-code	Model	Type	Accessory	Voltage	Description
MODULE:General body parts						
30850	270033		AQU40			Cover
30855	270015		AQU40			Back panel
30860	270000		AQU40			Body
30860	270001		AQU40	ws		Body
30865	15065/A		AQU40			Cable-fastener with screw
30870	540002		AQU40			Filter for top body
30875	540000/A		AQU40			Top filter body
30880	13305		AQU40			44x32x3 O-ring
30885	11701/A		AQU40			Stainless steel nut
30890	10850		AQU40			M10x25 Ø40 black foot
30895	16052		AQU40			Overflow pipe
30905	10701		AQU40			Drain elbow
30910	16035/A		AQU40			1,85/2,02KW 230/240V heating element
30915	10713		AQU40			3x2,5x2500 cable
30920	150401		AQU40			Door rod slide
30925	150402		AQU40			Door jack assembly
30930	150403		AQU40			Door jack O-ring
30935	270004		AQU40			Door O-ring angular
30940	135206		AQU40			Door O-ring
30945	13317		AQU40			Ø40mm lead through rubber
30950	13323		AQU40			Ø13mm lead through rubber
30955	270031		AQU40			Left cover back support
30960	270032		AQU40			Right cover back support
30965	270002		AQU40			Right/left internal slide
30970	270003		AQU40			Right/left internal slide
30975	11701/B		AQU40			Stainless steel nut
30980	440751		AQU40			Drain pump stainless steel filter



02\_127\_e

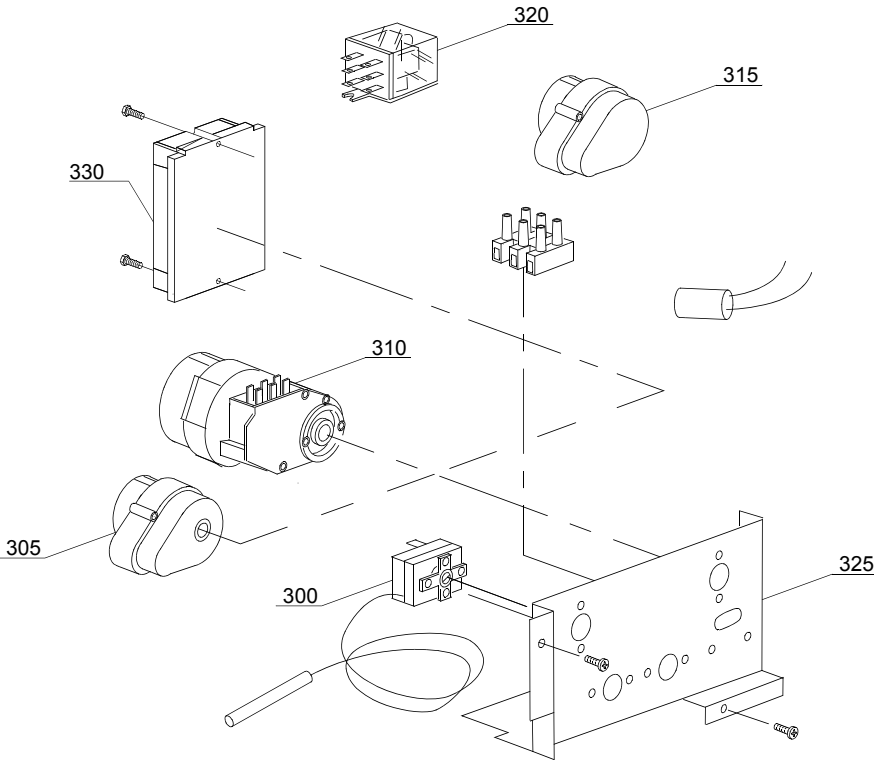
## Spare parts

ID	P-code	Model	Type	Accessory	Voltage	Description
MODULE: Lockup system						
44100	270005		AQU40			Door
44105	250016		AQU40			Lower door
44110	250006		AQU40			Right door rod
44115	250007		AQU40			Left door rod
44120	150402/D		AQU40			Door jack
44125	270011		AQU40			Stainless steel handle



## Spare parts

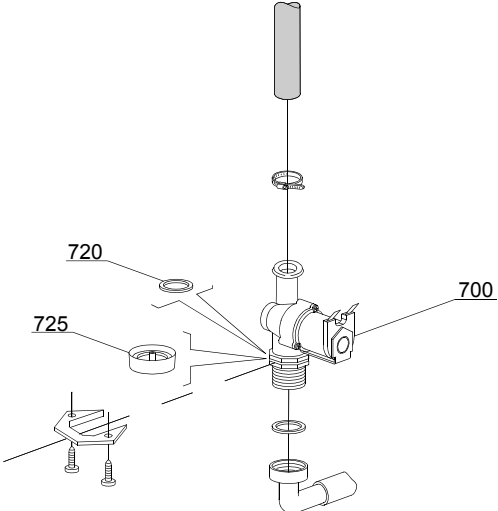
ID	P-code	Model	Type	Accessory	Voltage	Description
MODULE:Control panel and switches						
44000	270030		AQU40			Control panel AQUA 40
44005	89344		AQU40	cr		Touche chaud/froid
44010	89343		AQU40	dp		Drain pump push button (OPTIONAL)
44015	89341		AQU40			START push button
44020	89348		AQU40			Blind push button
44025	89340		AQU40			ON-OFF push button
44030	89345		AQU40	ws		Regeneration push button (OPTIONAL)
44035	86006		AQU40			OR O-ring
44040	86001		AQU40			Push button support
44041	86002		AQU40			Temperature push button support
44045	15844		AQU40			Push button support
44050	15813		AQU40			16A unipolar switch
44055	15812		AQU40			16A bipolar switch
44055	15800		AQU40			16A switch
44060	15811		AQU40			16A bipolar switch
44060	15811/A		AQU40			16A bipolar switch
44065	15826		AQU40			Pilot light



04\_007\_e

## Spare parts

ID	P-code	Model	Type	Accessory	Voltage	Description
MODULE:Electric control components						
300	10707/1		AQU40			0-90°C thermostat
305	10708/L		AQU40			120" timer
315	16064/A		AQU40	ws		Regeneration timer
320	16047		AQU40			Tripolar relay in deviation 16A
320	15620		AQU40	dp		Bipolar relay in deviation
325	260018		AQU40			Electric component panel
330	50553		AQU40			3 times electronic timer with regeneration

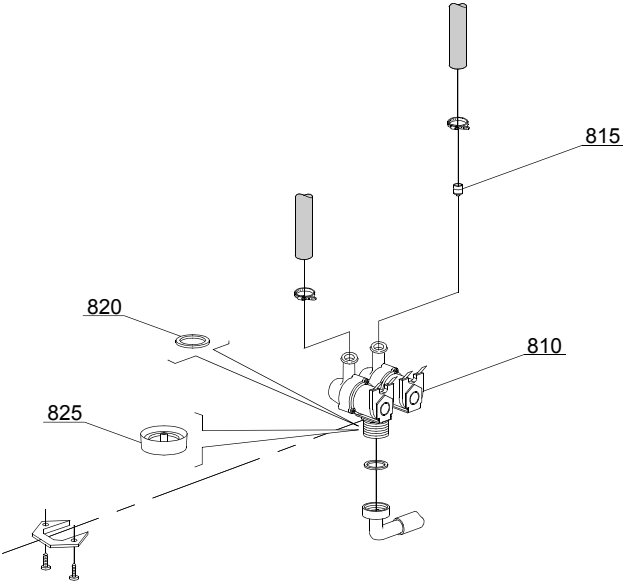


05\_002\_e

**Spare parts**

---

ID	P-code	Model	Type	Accessory	Voltage	Description
MODULE: Solenoid valve group						
700	10703		AQU40			Single solenoid valve
720	N.C.		AQU40			Pression reducing valve

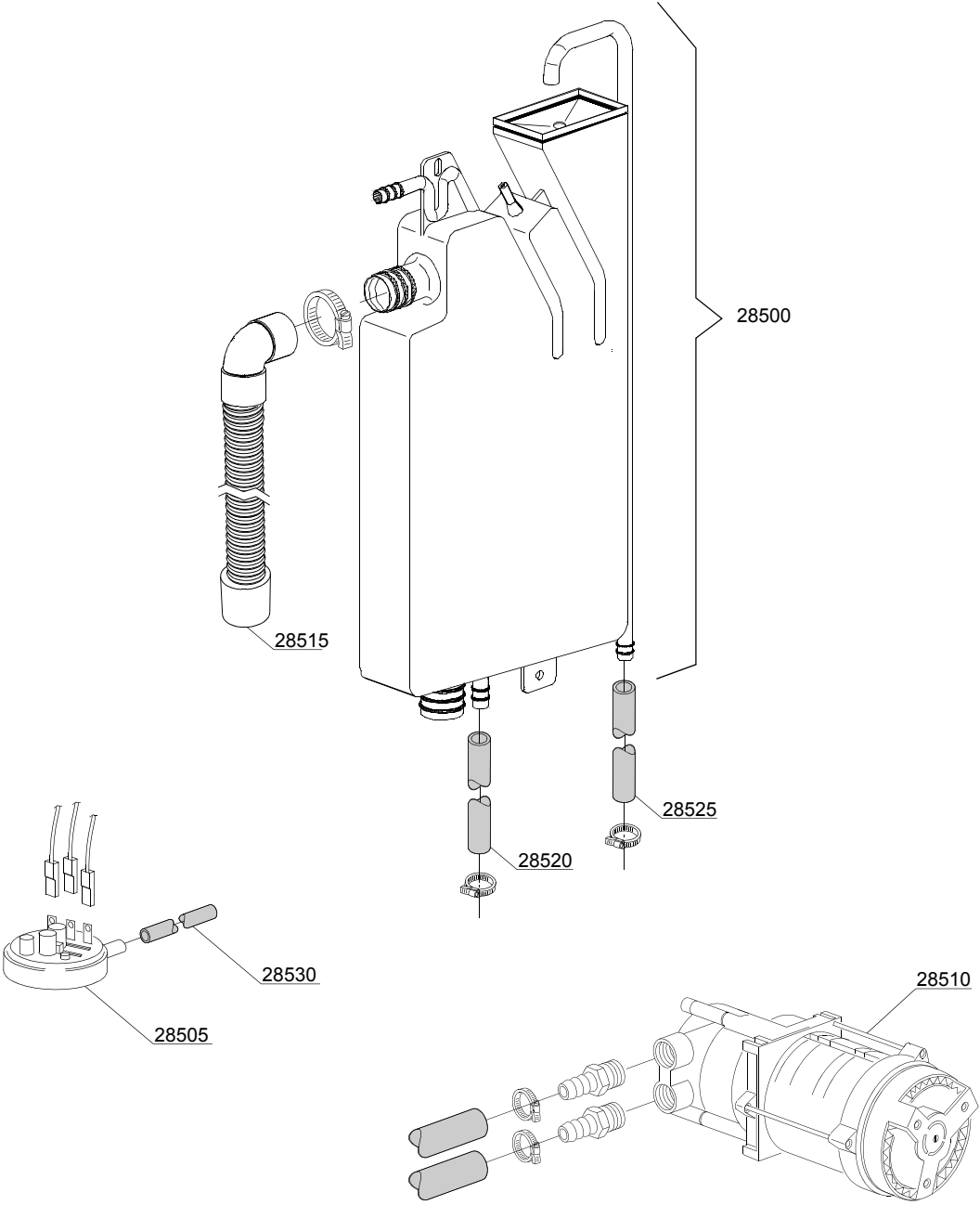


05\_003\_e

## Spare parts

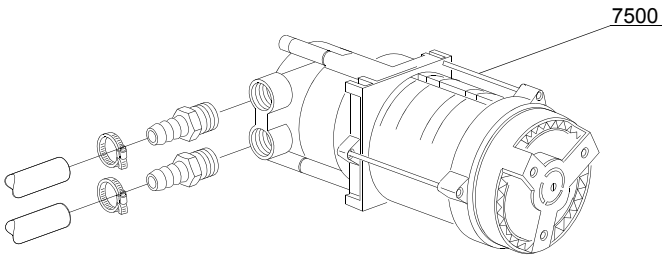
ID	P-code	Model	Type	Accessory	Voltage	Description
MODULE: Solenoid valve group						
810	15098		AQU40	cr,ws		Double solenoid valve - Ø10
815	15115		AQU40	cr,ws		Green pression solenoid valve
820	N.C.		AQU40	cr,ws		Pression reducing valve
825	15315		AQU40	cr,ws		Red pression reducing valve

06\_004ae



## Spare parts

ID	P-code	Model	Type	Accessory	Voltage	Description
MODULE:Break Tank						
28500	15735		AQU40	bt		Break tank assembly
28505	10706/A		AQU40	bt		47-27 pressure switch
28510	15100/D		AQU40	bt		Booster pump 220-240/50
28515	15721		AQU40	bt		BT long pipe L=1070
28515	15722		AQU40	bt		BT middle pipe L=920
28515	15723		AQU40	bt		BT small pipe L=920
28520	2907350		AQU40	bt		12x20 EPDM rubber hose
28525	2907352		AQU40	bt		PVC WRAS rubber hose

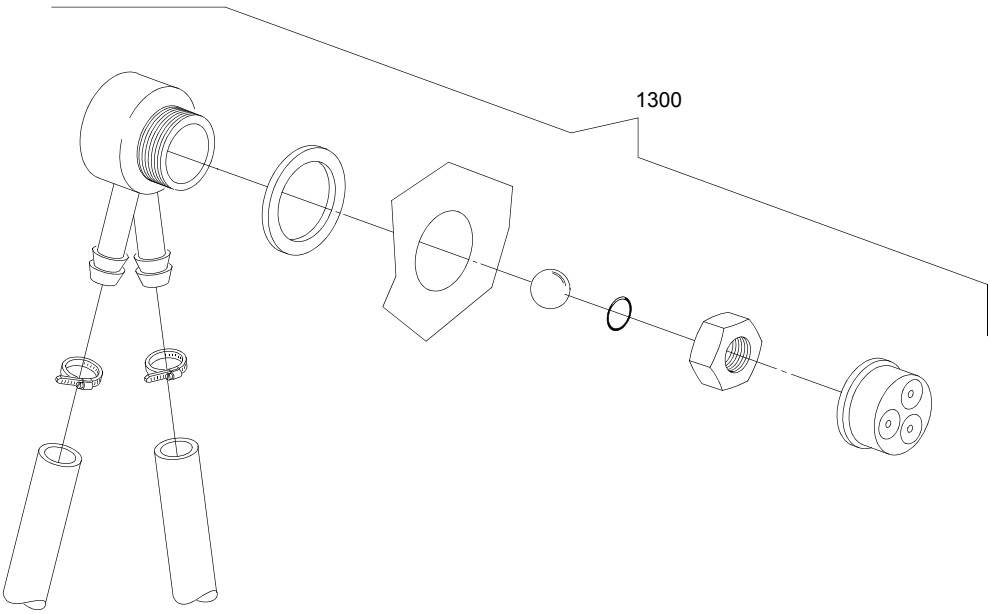


07\_003\_e

**Spare parts**

---

ID	P-code	Model	Type	Accessory	Voltage	Description
MODULE:Booster pump						
7500	15100/D		AQU40	bp		Booster pump 220-240/50



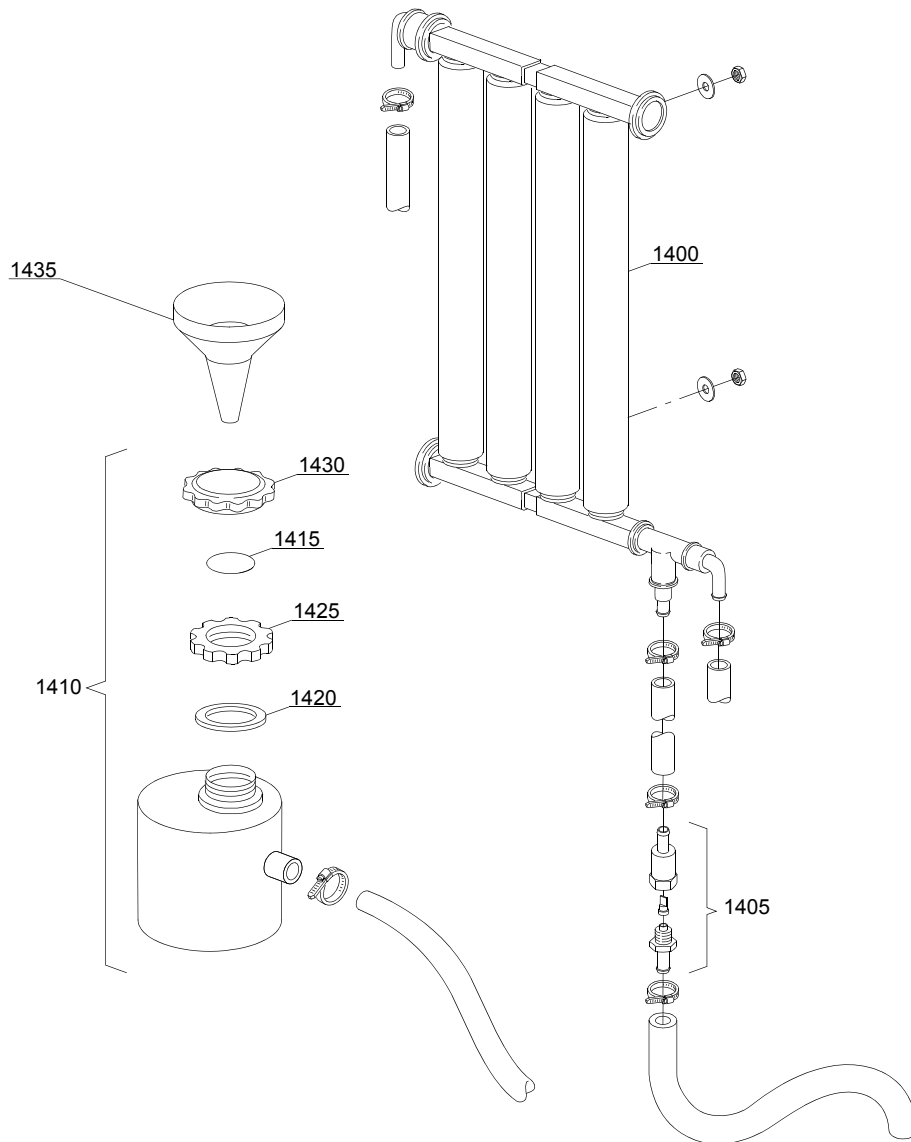
08\_005\_e

**Spare parts**

---

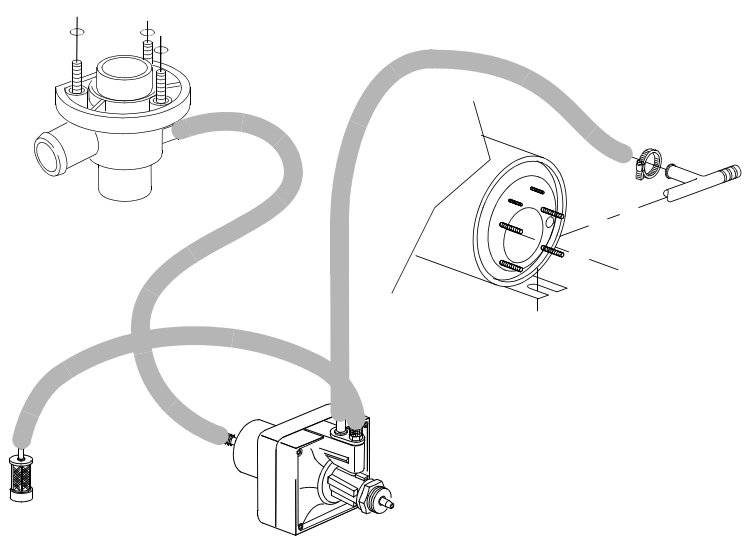
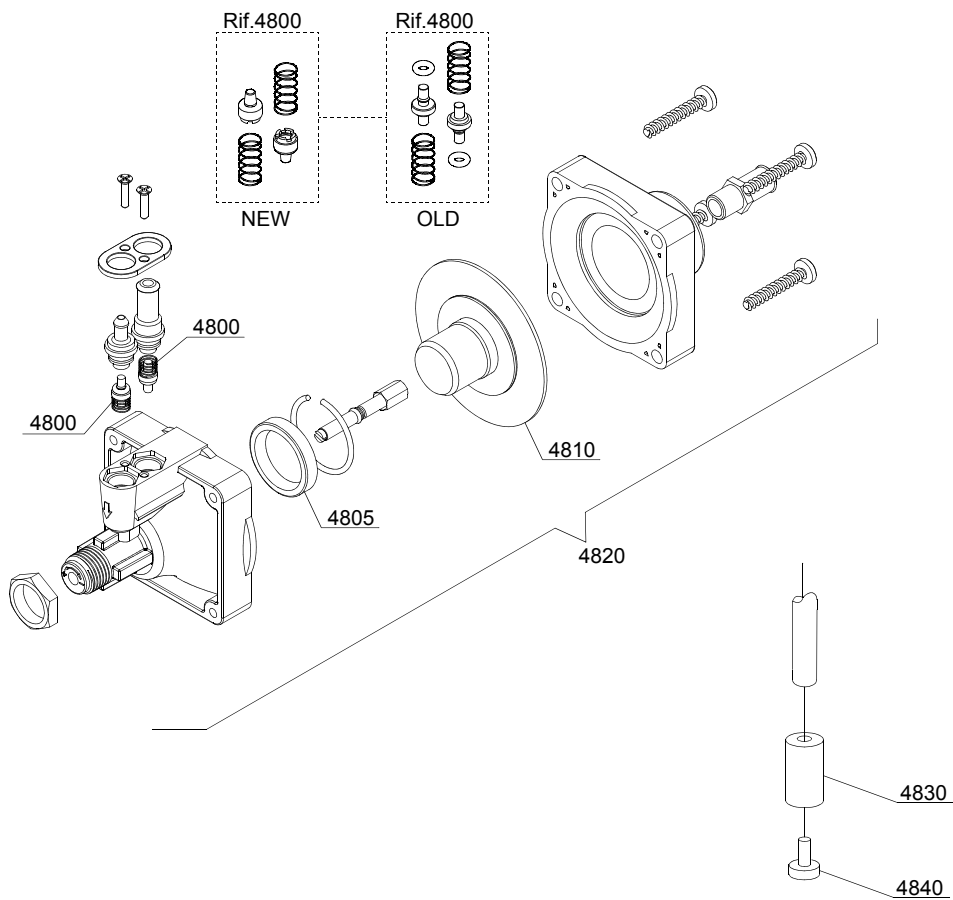
ID	P-code	Model	Type	Accessory	Voltage	Description
MODULE:DVGW						
1300	999900006		AQU40	dvgw		DVGW assembly

09\_001\_e



## Spare parts

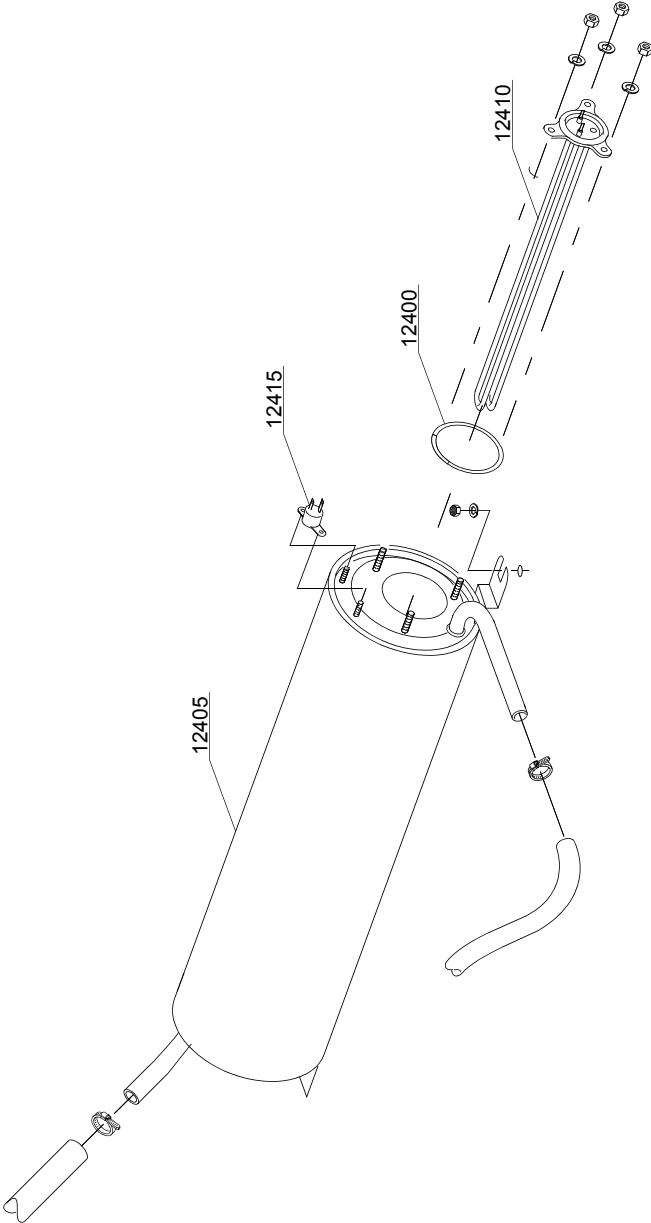
ID	P-code	Model	Type	Accessory	Voltage	Description
MODULE:Water softner group						
1400	16066		AQU40	ws		4 elements water softner
1405	16070		AQU40	ws		Nonreturn valve
1410	16065		AQU40	ws		Salt container
1415	16067/A		AQU40	ws		OR O-ring
1420	16067/B		AQU40	ws		O-ring
1425	16067/C		AQU40	ws		Ring nut
1430	16067/D		AQU40	ws		Plug
1435	16082		AQU40	ws		Funnel



10\_004\_e

## Spare parts

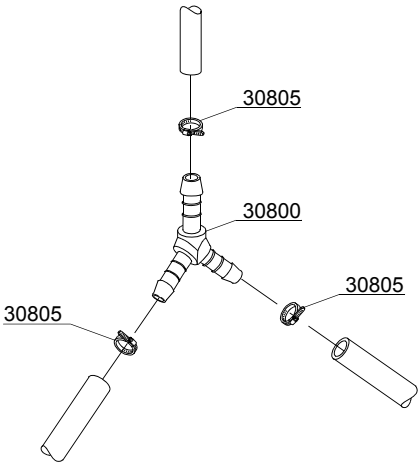
ID	P-code	Model	Type	Accessory	Voltage	Description
MODULE: Rinse aid dispenser group						
4800	10805		AQU40			Tecnopro non return valve
4805	10806		AQU40			Ø22 O-ring
4810	10807		AQU40			Membrane
4820	10799		AQU40			Rinse aid dispenser
4830	12525		AQU40			Counter-weight
4840	15058		AQU40			Small filter



11\_007\_e

## Spare parts

ID	P-code	Model	Type	Accessory	Voltage	Description
MODULE:Boiler group						
12400	13010		AQU40			OR O-ring
12405	140905		AQU40			Boiler
12410	18206		AQU40			2,4/2,61KW 230/240V heating element
12410	18206/D		AQU40			2,8/3,05KW 230/240V heating element
12410	18215		AQU40			4/4,36KW 230/240/3 heating element
12415	15550		AQU40			Safety thermostat

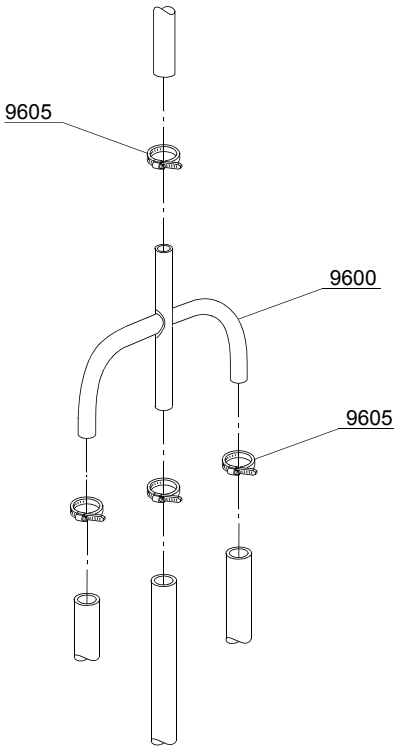


12\_003ae

## Spare parts

---

ID	P-code	Model	Type	Accessory	Voltage	Description
MODULE:3 ways connection						
30800	540090		AQU40			Ø10 mm plastic 3 ways connection
30805	11807		AQU40			12/22 clamp

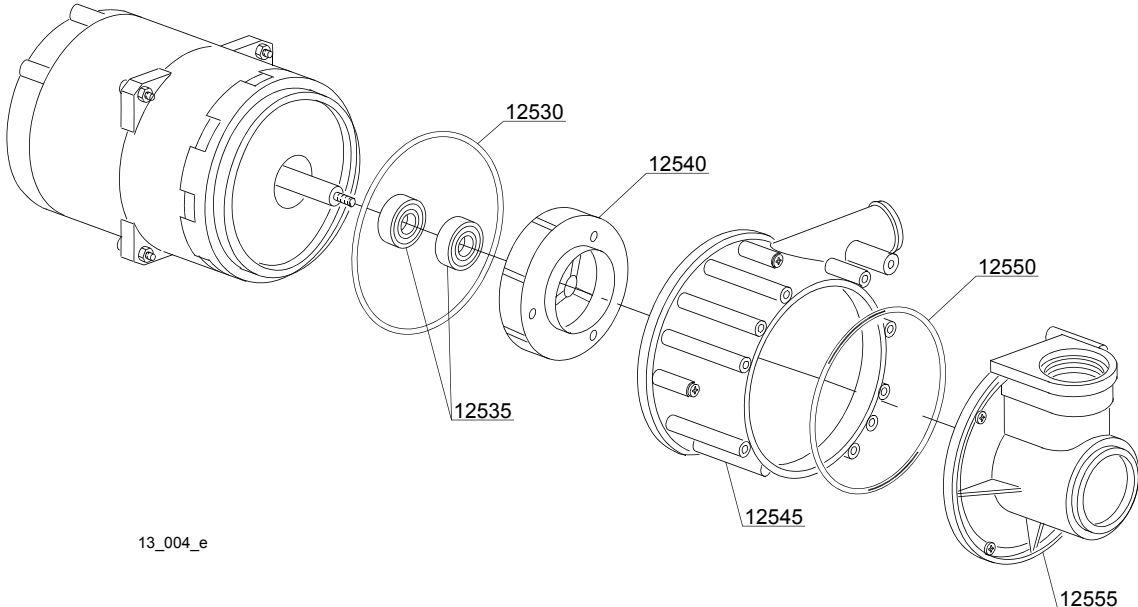
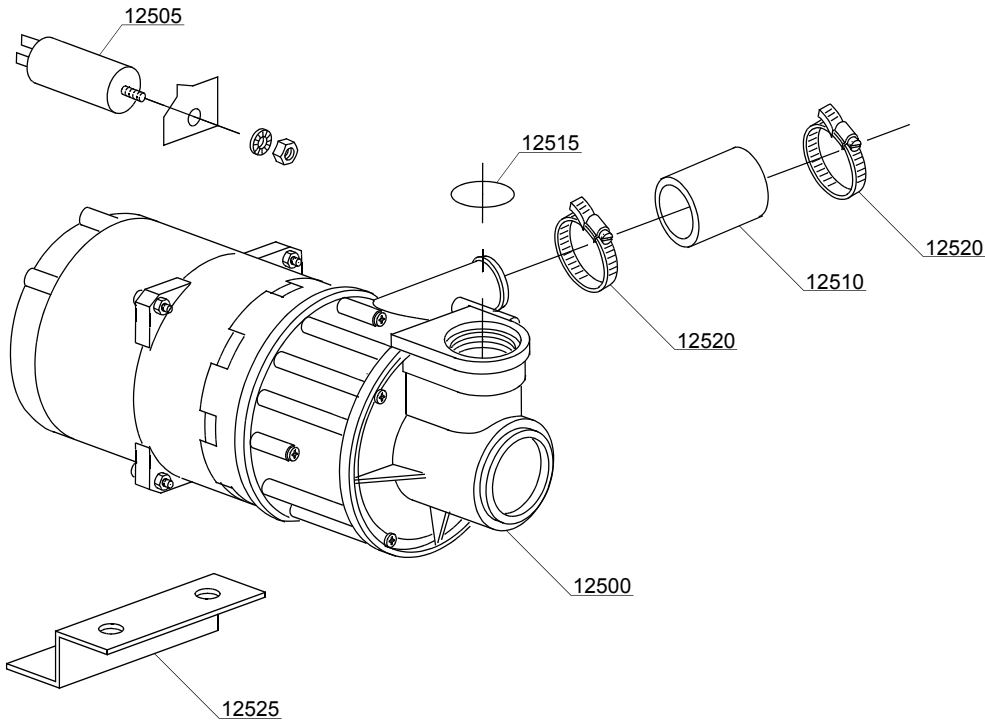


12\_004\_e

## Spare parts

---

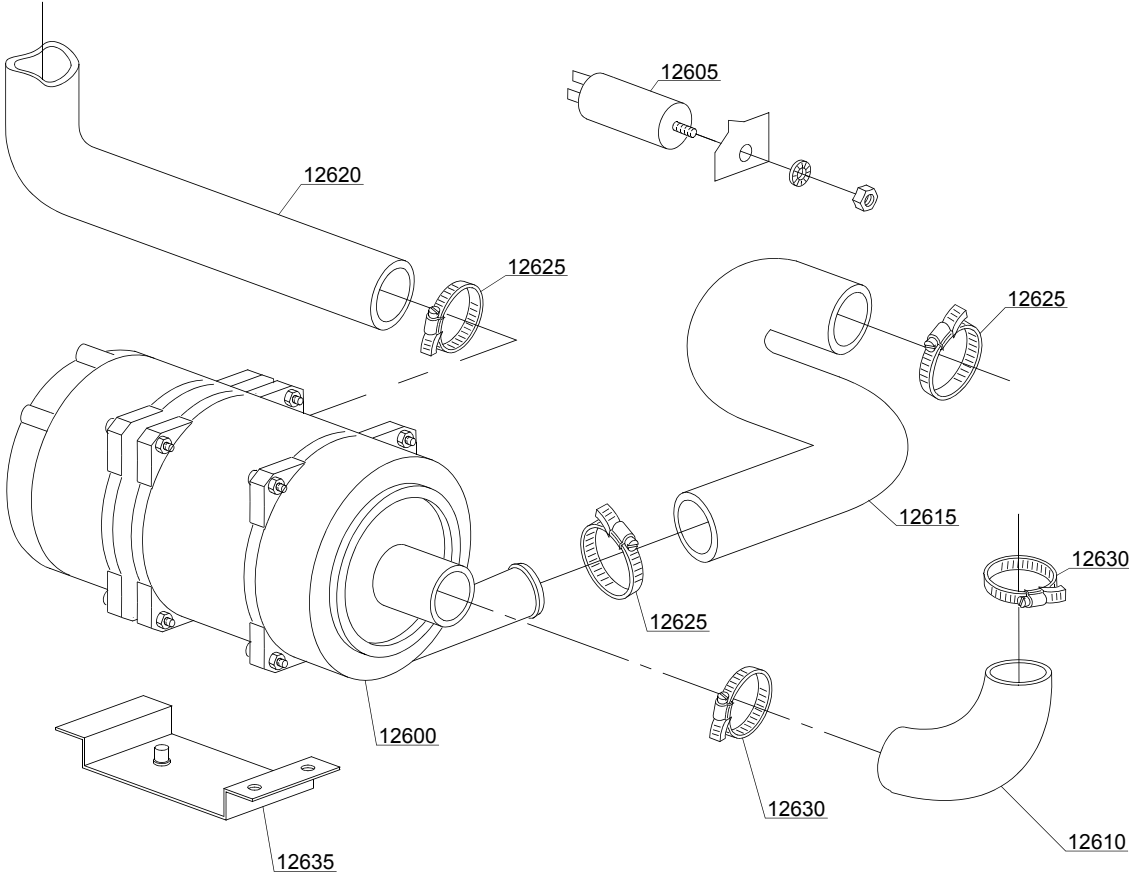
ID	P-code	Model	Type	Accessory	Voltage	Description
MODULE:4 ways connection						
9600	15151		AQU40	cr		Ø10 mm 4 ways connection
9605	11807		AQU40			12/22 clamp



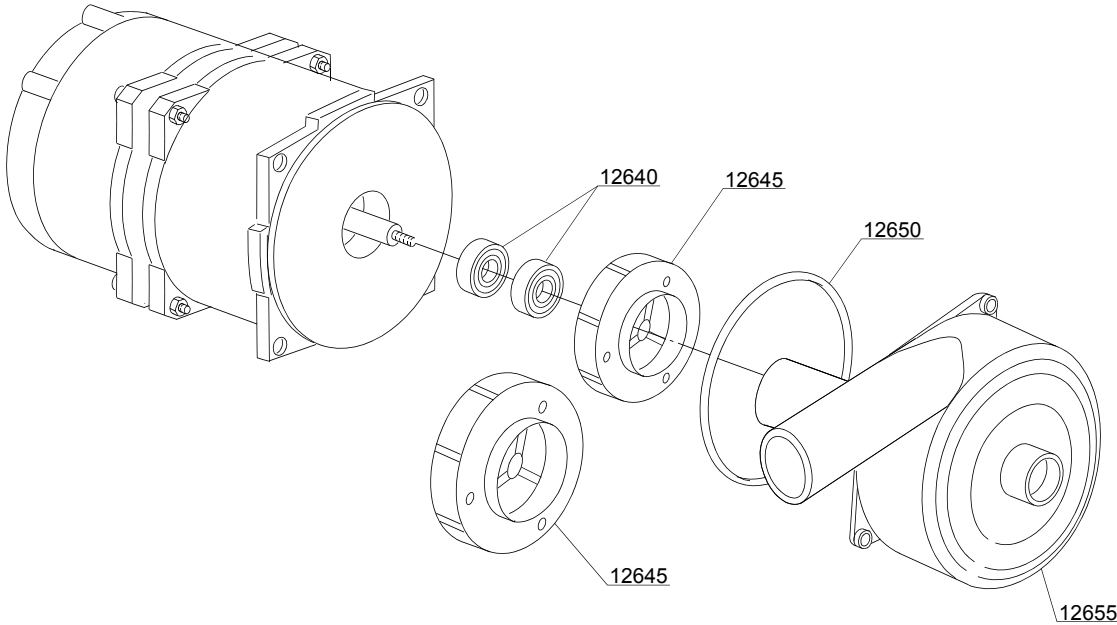
13\_004\_e

## Spare parts

ID	P-code	Model	Type	Accessory	Voltage	Description
MODULE:Wash pump						
12500	135501		AQU40		A	0,30Hp wash pump
12500	135500		AQU40		H	0,30Hp 60Hz wash pump
12505	10702		AQU40			5 uF condenser
12510	10718		AQU40			Pump pipe coupling
12515	13019		AQU40			4137 OR 140 NBR O-ring
12520	11806		AQU40			25/40 clamp
12525	440123		AQU40			Pump support
12530	135502		AQU40			OR O-ring
12535	15080		AQU40			Rotating seals
12540	135505		AQU40			Pump rotor
12545	135504		AQU40			Delivery scroll
12550	135506		AQU40			OR O-ring
12555	135503		AQU40			Suction scroll

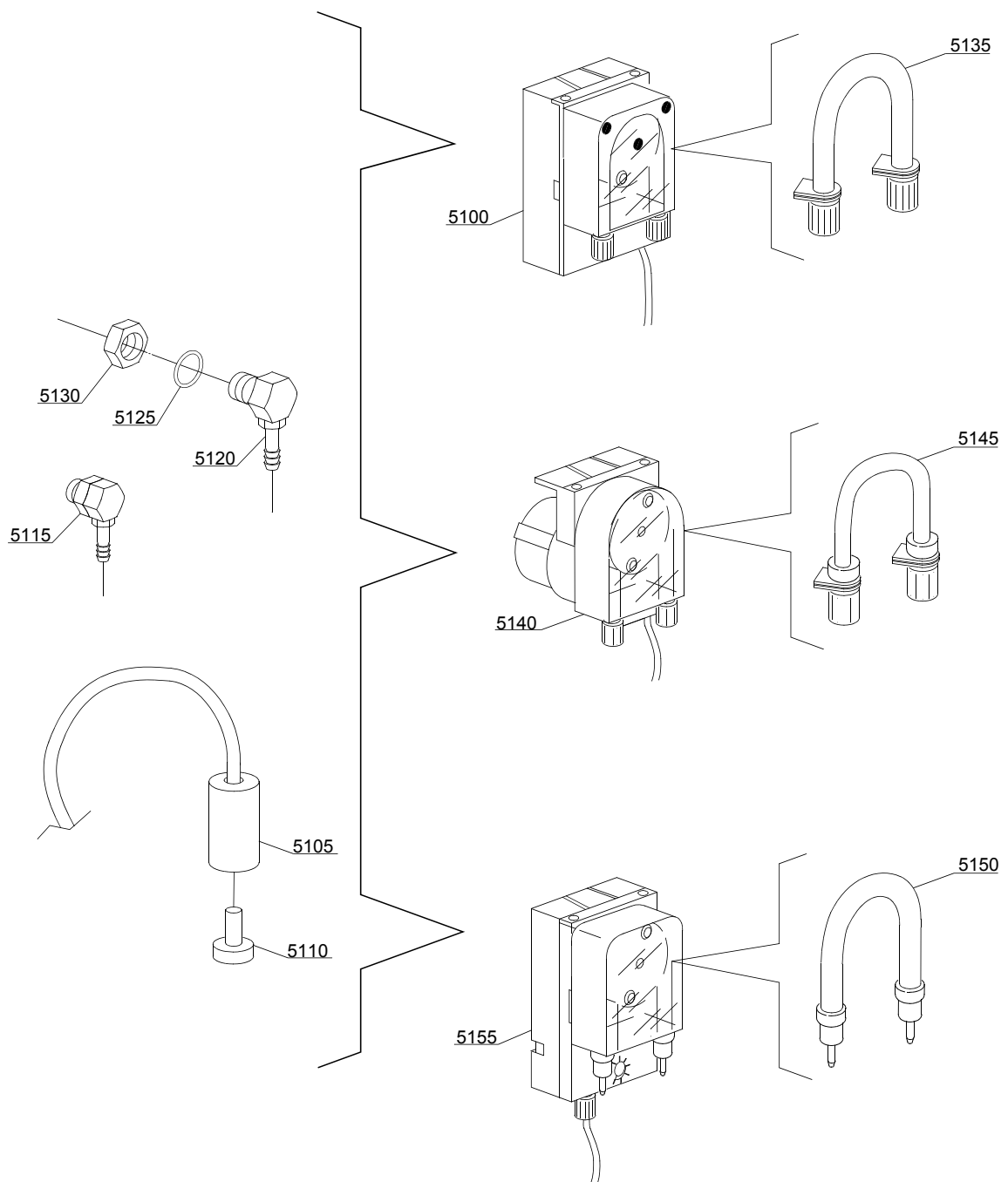


13\_109\_e



## Spare parts

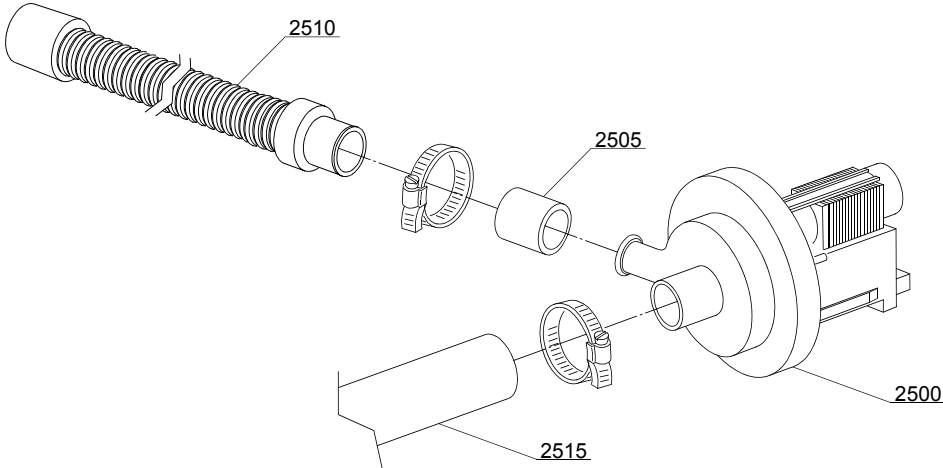
ID	P-code	Model	Type	Accessory	Voltage	Description
MODULE:Wash pump						
12600	18300		AQU40			0,45Hp wash pump
12600	18242/B		AQU40			0,30Hp wash pump
12605	16043		AQU40			8 uF condenser
12610	18787		AQU40			Suction pipe coupling
12615	16168		AQU40			Lower wash delivery pipe
12615	16167		AQU40			Lower wash delivery pipe:part of wash ramp
12620	16167		AQU40			Wash ramp
12625	11806		AQU40			25/40 clamp
12630	11809		AQU40			30/45 clamp
12635	440122		AQU40			Pump support
12640	15080		AQU40			Rotating seals
12645	18259		AQU40			Pump rotor Hp 0,33 Ø 80mm
12645	18253		AQU40			Pump rotor Hp 0,45 Ø 86mm
12650	18245		AQU40			OR O-ring
12655	18247		AQU40			Scroll



14\_004\_e

## Spare parts

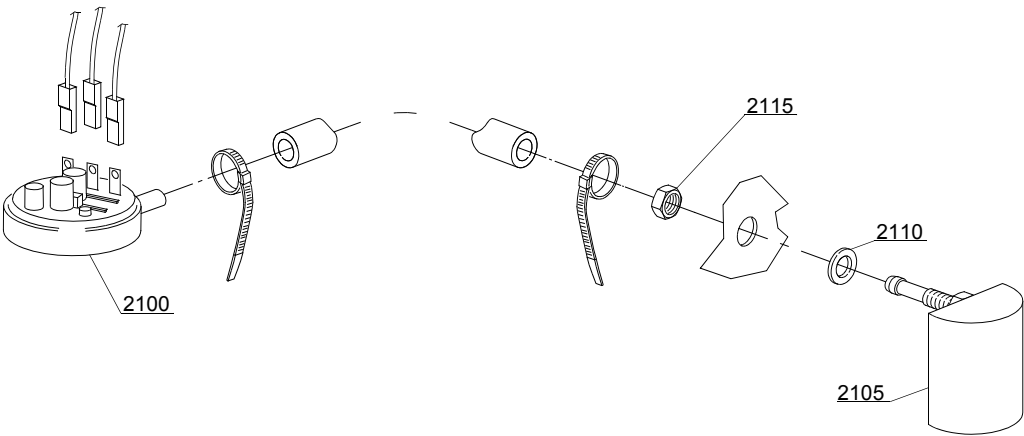
ID	P-code	Model	Type	Accessory	Voltage	Description
MODULE:Dosing detergent group						
5100	15985		AQU40	dd		Seko detergent pump
5105	12525		AQU40	dd		Counter-weight
5110	15058		AQU40	dd		Small filter
5115	15123		AQU40	dd		Compleat plastic injector
5120	15148		AQU40	dd		Steel injector
5125	15159		AQU40	dd		OR O-ring
5130	10200205		AQU40	dd		M12x1 stainless steel nut
5135	15185		AQU40	dd		Ø 10 Seko thermoplastic pipe
5140	15985		AQU40	dd		Germac detergent pump
5145	15108/E		AQU40	dd		Ø 8 Germac thermoplastic pipe
5150	15985/A		AQU40	dd		Ø 10 PLAS CONT thermoplastic pipe
5155	15985		AQU40	dd		PLAS COMT detergent pipe



15\_004\_e

## Spare parts

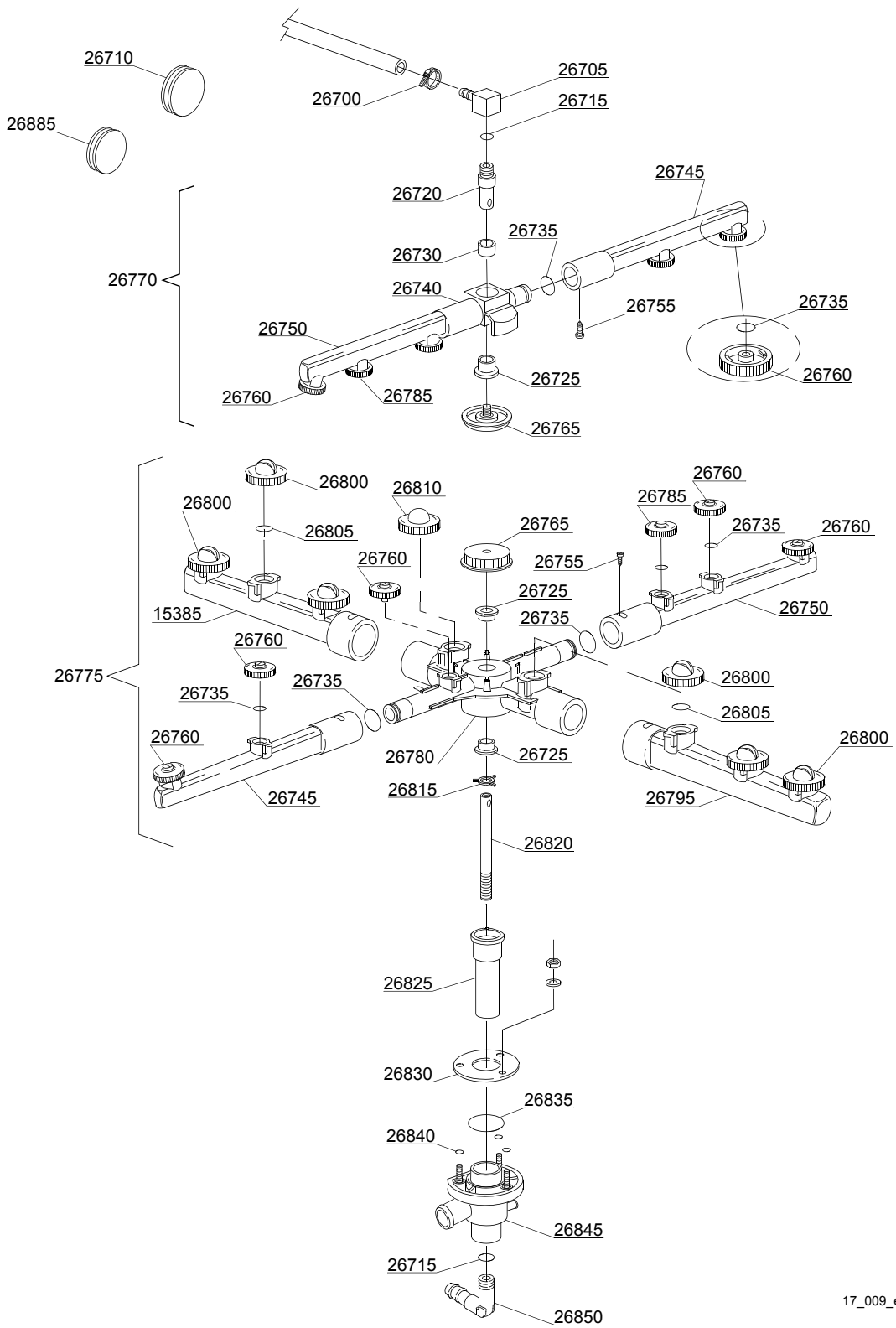
ID	P-code	Model	Type	Accessory	Voltage	Description
MODULE:Drain pump group						
2500	15101		AQU40	dp		Drain pump 220/240V 50Hz
2505	15101/D		AQU40	dp		Pipe fitting
2510	10727		AQU40	dp		Drain pipe
2515	18044		AQU40	dp		Ø28 top wash pipe



16\_001\_e

## Spare parts

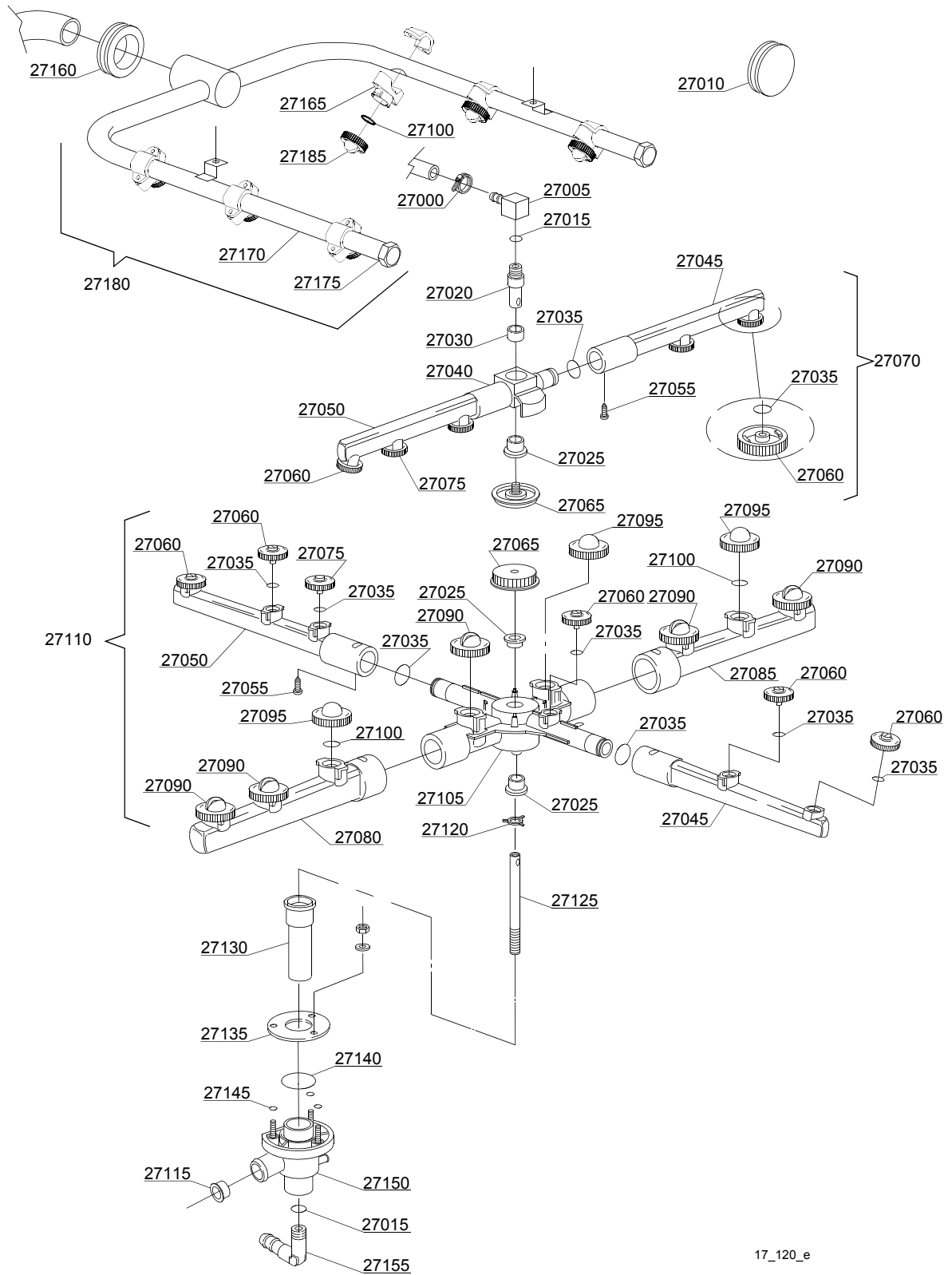
ID	P-code	Model	Type	Accessory	Voltage	Description
MODULE:Pressure switch group with air trap						
2100	10706/A		AQU40			47-27 pressure switch
2105	135911/B		AQU40			Air trap assembly
2110	13301		AQU40			O-ring
2115	11702		AQU40			M8 stainless steel nut



17\_009\_e

## Spare parts

ID	P-code	Model	Type	Accessory	Voltage	Description
MODULE:Turret group with rotating arms						
26700	11807		AQU40			12/22 clamp
26705	350402		AQU40			Top turret rinse hub
26710	13316		AQU40			43x10 blind O-ring
26715	13003		AQU40			OR 112 NBR O-ring
26720	350401		AQU40			Lower axle rinse hub
26725	13319		AQU40			Sliding washer
26730	13320		AQU40			Sliding washer
26735	13002		AQU40			OR R6 NBR O-ring
26740	10373		AQU40			Rinse rotor
26745	10374		AQU40			Right rinse pipe
26750	10375		AQU40			Left rinse pipe
26755	11004		AQU40			4x10 TCB Ø8 spax toothed screw
26760	10371		AQU40			Opened head rinse nozzle
26765	10377		AQU40			Handle with insert
26770	10997		AQU40			Top rinse group
26775	540999		AQU40			Lower wash/rinse group
26780	540043		AQU40			Wash rotor
26785	10372		AQU40			Closed head rinse nozzle
26790	10367		AQU40			Right wash pipe
26795	10368		AQU40			Left wash pipe
26800	10368		AQU40			Opened head wash nozzle
26805	13009		AQU40			OR 2050 NBR O-ring
26810	10370		AQU40			Closed head wash nozzle
26815	10203		AQU40			Guide pipe
26820	16039		AQU40			Ø10x1,5x185 steel ground shaft
26825	16250		AQU40			Bell-shape assembly with pipe coupling
26830	16038		AQU40			Ø60 stainless steel disk
26835	13000		AQU40			OR 3125 NBR O-ring
26840	13001		AQU40			OR 104 NBR O-ring
26845	10205/B		AQU40			Lower wash turret with hole
26850	12030		AQU40			3/8M Ø12 elbow pipe fitting
26855	13316/A		AQU40			DVGW hole O-ring



17\_120\_e

## Spare parts

ID	P-code	Model	Type	Accessory	Voltage	Description
MODULE:Turret group with rotating arms						
27000	11807		AQU40			12/22 clamp
27005	350402		AQU40			Top turret rinse hub
27010	13316/A		AQU40			DVGW hole O-ring
27015	13003		AQU40			OR 112 NBR O-ring
27020	350401		AQU40			Lower axle rinse hub
27025	13319		AQU40			Sliding washer
27030	13320		AQU40			Sliding washer
27035	13002		AQU40			OR R6 NBR O-ring
27040	10373		AQU40			Rinse rotor
27045	10374		AQU40			Right rinse pipe
27050	10375		AQU40			Left rinse pipe
27055	11004		AQU40			4x10 TCB Ø8 spax toothed screw
27060	10371		AQU40			Opened head rinse nozzle
27065	10377		AQU40			Handle with insert
27070	10997		AQU40			Top rinse group
27075	10372		AQU40			Closed head rinse nozzle
27080	10367		AQU40			Right wash pipe
27085	10368		AQU40			Left wash pipe
27090	10378		AQU40			1,9 opened head wash nozzle
27095	10370		AQU40			Closed head wash nozzle
27100	13009		AQU40			OR 2050 NBR O-ring
27105	540043		AQU40			Wash rotor
27110	540996		AQU40			Top/lower wash/rinse group
27115	18249		AQU40			Flux reducer
27120	10203		AQU40			Guide pipe
27125	16039		AQU40			Ø10x1,5x185 steel ground shaft
27130	16250		AQU40			Bell-shape assembly with pipe coupling
27135	16038		AQU40			Ø60 stainless steel disk
27140	13000		AQU40			OR 3125 NBR O-ring
27145	13001		AQU40			OR 104 NBR O-ring
27150	10205/B		AQU40			Lower wash turret with hole
27155	12030		AQU40			3/8M Ø12 elbow pipe fitting
27160	13306/A		AQU40			Top wash ramp O-ring
27165	10221		AQU40			Wash nozzle
27165	10275		AQU40			Wash nozzle
27170	16161		AQU40			Top wash pipe
27175	12503		AQU40			Plug
27180	16920		AQU40			Top wash group
27185	10378		AQU40			Nozzle