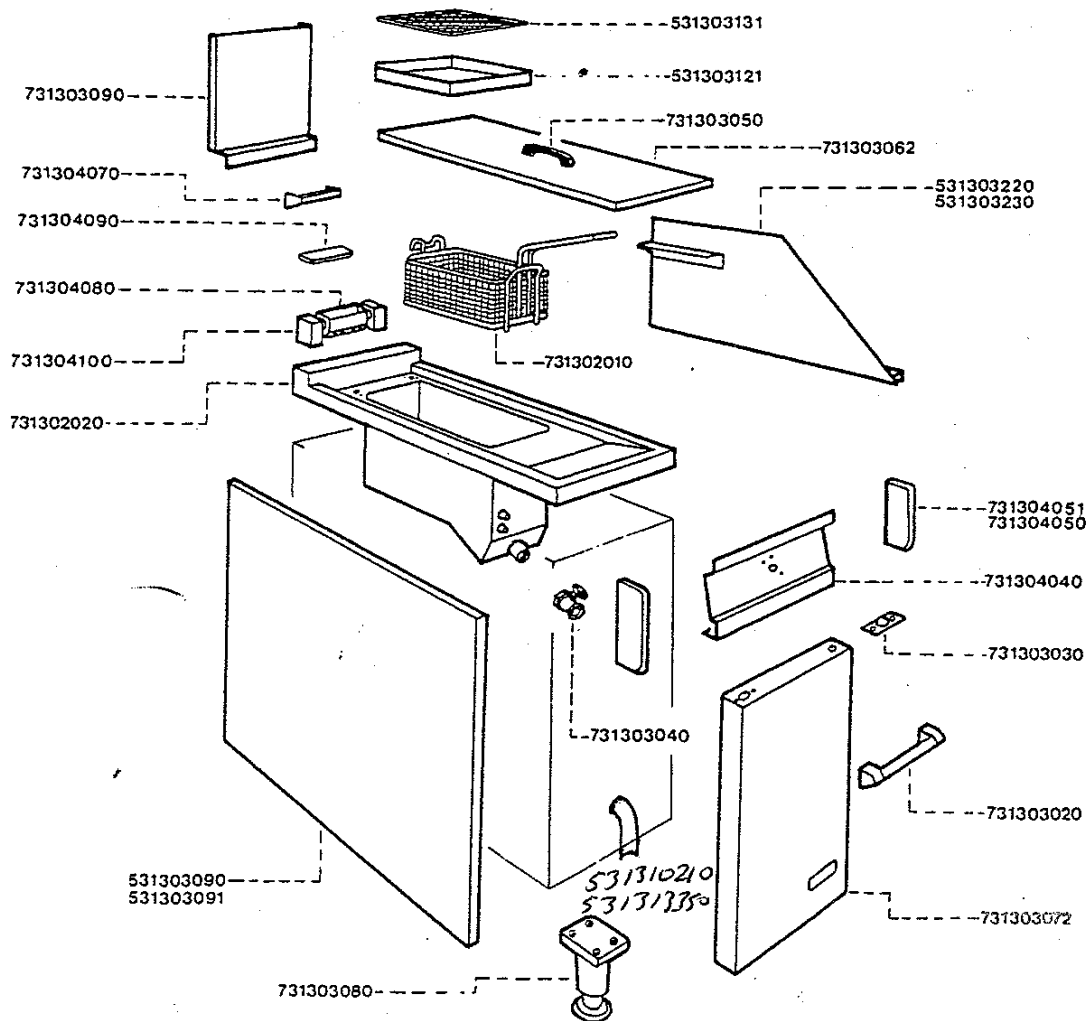


# E1830 DEEP FAT FRYER

# FRYER FITMENTS



Code	No.	Description
5G	531303090	Outer Side Panel—LH
5G	531303100	Outer Side Panel—RH
12D	531303121	Fish Tray
1F	531303131	Fish Tray Mesh Insert
4G	531303220	Side Screen—RH
4G	531303230	Side Screen—LH
10E	731302010	Basket
2M	731302020	Pan Complete
2H	731303012	Door Complete (not illustrated)
3C	731303020	Door Handle
9B	731303030	Door Catch
4E	731303040	Drain Valve

Code No.	Description
5B 731303050	Cover Handle
10D 731303062	Cover c/w Handle
6F 731303072	Door Panel
9B 731303080	Adjustable Leg
8E 731303090	Back Screen
12C 731304040	Control Panel
12C 731304050	End Check—LH
12C 731304051	End Check—RH
2D 731304070	Basket Hanging Rail
1G 731304080	Element Box
11C 731304090	Element Box Lid
12E 731304100	Element Support Box

531310210 3/4 DRAM SPOUT > 91 Microswitch (T/H Switch) P22226 from 13/1/32.  
 53131350 " " " < 91 no spares code.

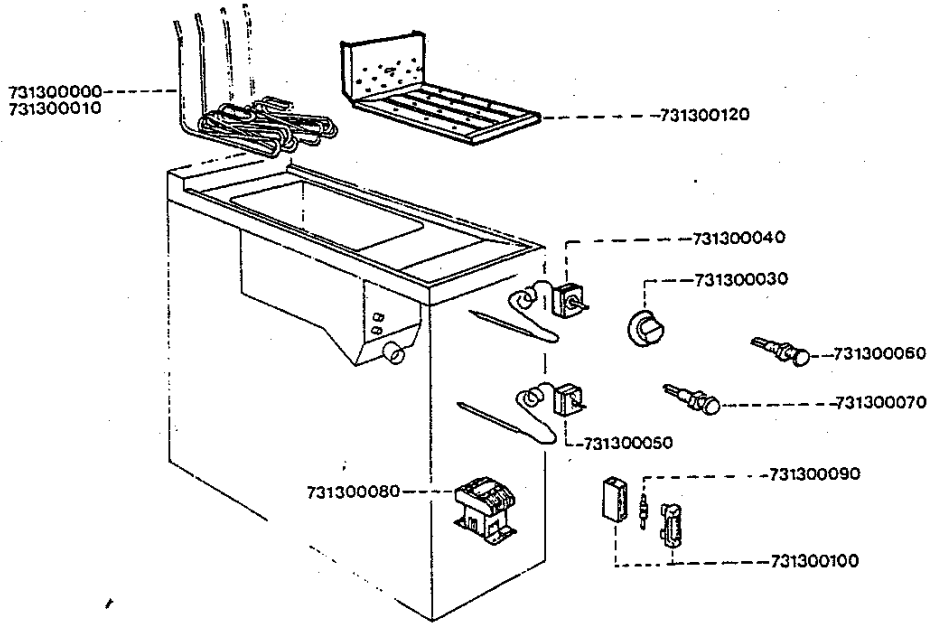
Sheet Reference Number

E1830/1184/001

**Falcon Catering  
Equipment**  
 Commercial and institutional  
 catering equipment



Falcon Catering Equipment is a  
 business name of  
 Glynwed Consumer & Building Products Ltd  
 a member of the  
 Glynwed International plc  
 group of companies



Code No.	Description
11G 731300000	Element 5 Kw.
4J 731300010	Set of Elements (2 per set)
6E 731300020	Operating Thermostat c/w Knob (not illustrated)
6B 731300030	Thermostat Knob
1E 731300040	Operating Thermostat
3E 731300050	Safety Thermostat
7B 731300060	Neon Indicator - Red
7B 731300070	Neon Indicator - Amber
12G 731300080	Contactors
1B 731300090	Fuse Link - 3A
12C 731300100	Fuse Carrier & Bas.
12D 731300120	Element Gu.

Sheet Reference Number

E1830/1184/002

**Falcon Catering  
Equipment**  
Commercial and institutional  
catering equipment



Falcon Catering Equipment is a  
business name of  
Glynwed Consumer & Building Products Ltd  
a member of the  
Glynwed International plc  
group of companies