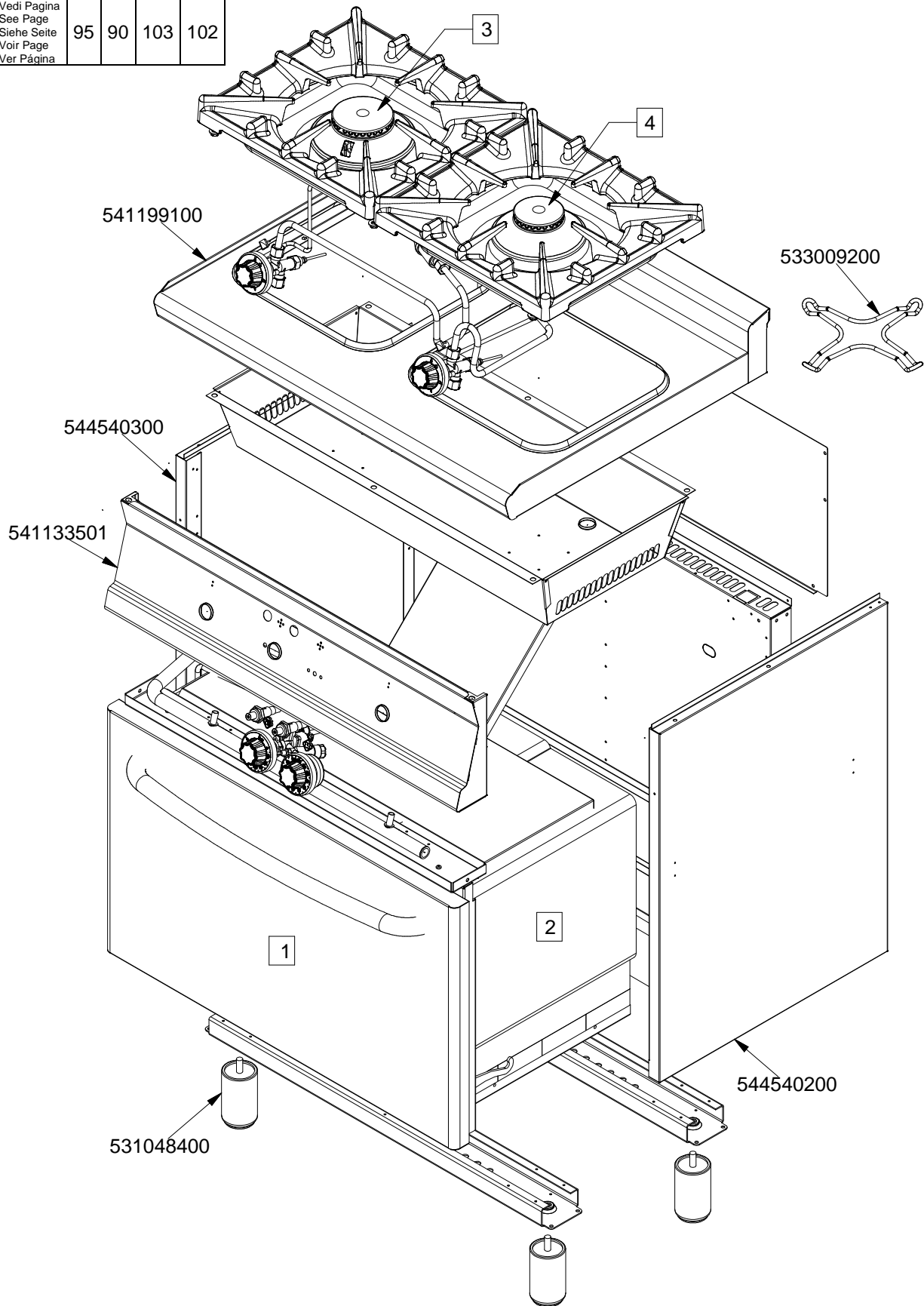


MAGICLOTUS 60

CUCINE / RANGES / HERDE / CUISINIÈRES

CF2-68G

	1	2	3	4
Vedi Pagina See Page Siehe Seite Voir Page Ver Pàgina	95	90	103	102

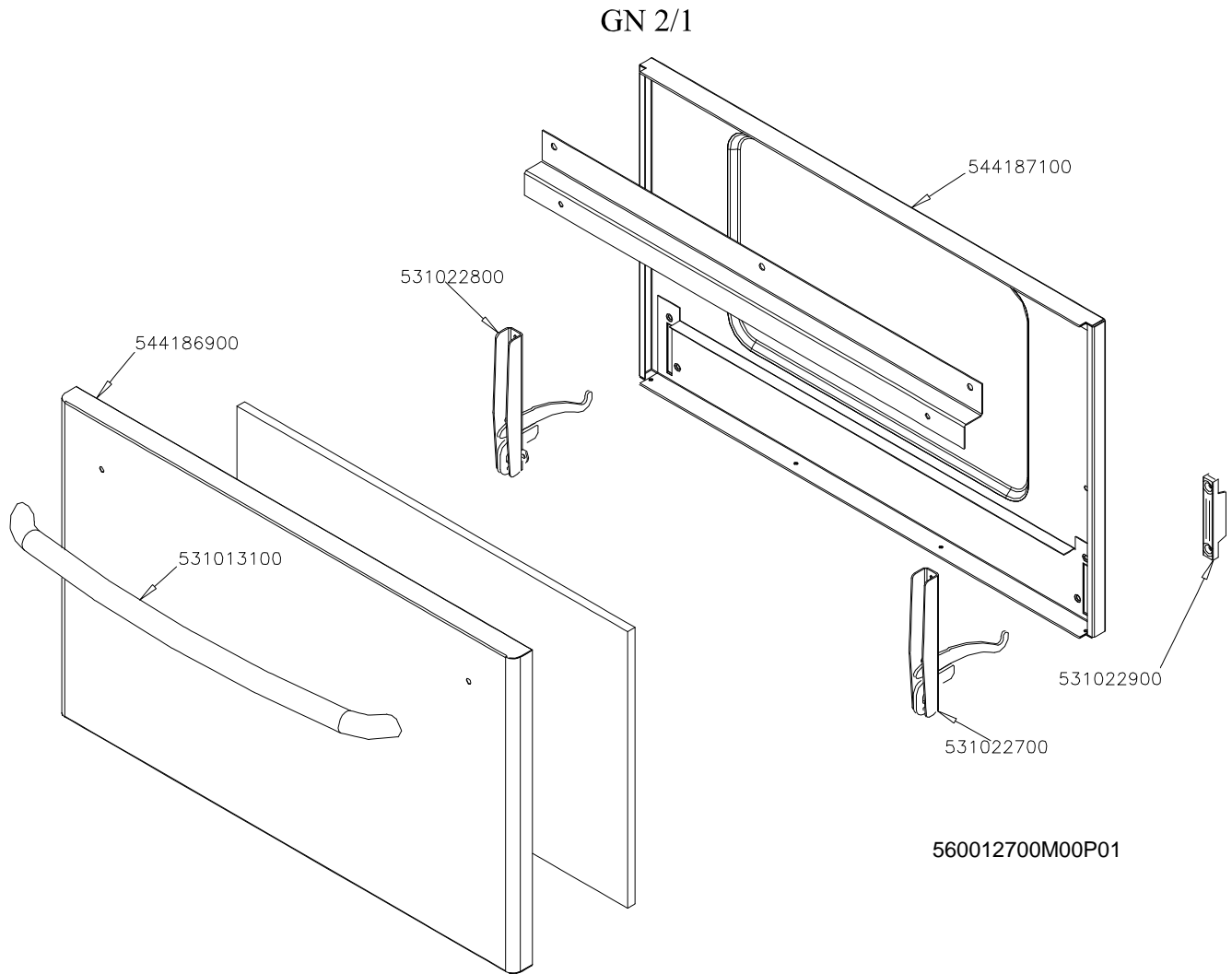


560084400M00P00

MAGICLOTUS 60

CUCINE / RANGES / HERDE / CUISINIÈRES
FORNO / OVEN / BACKOFEN / FOUR / CF...-68 CF...-610

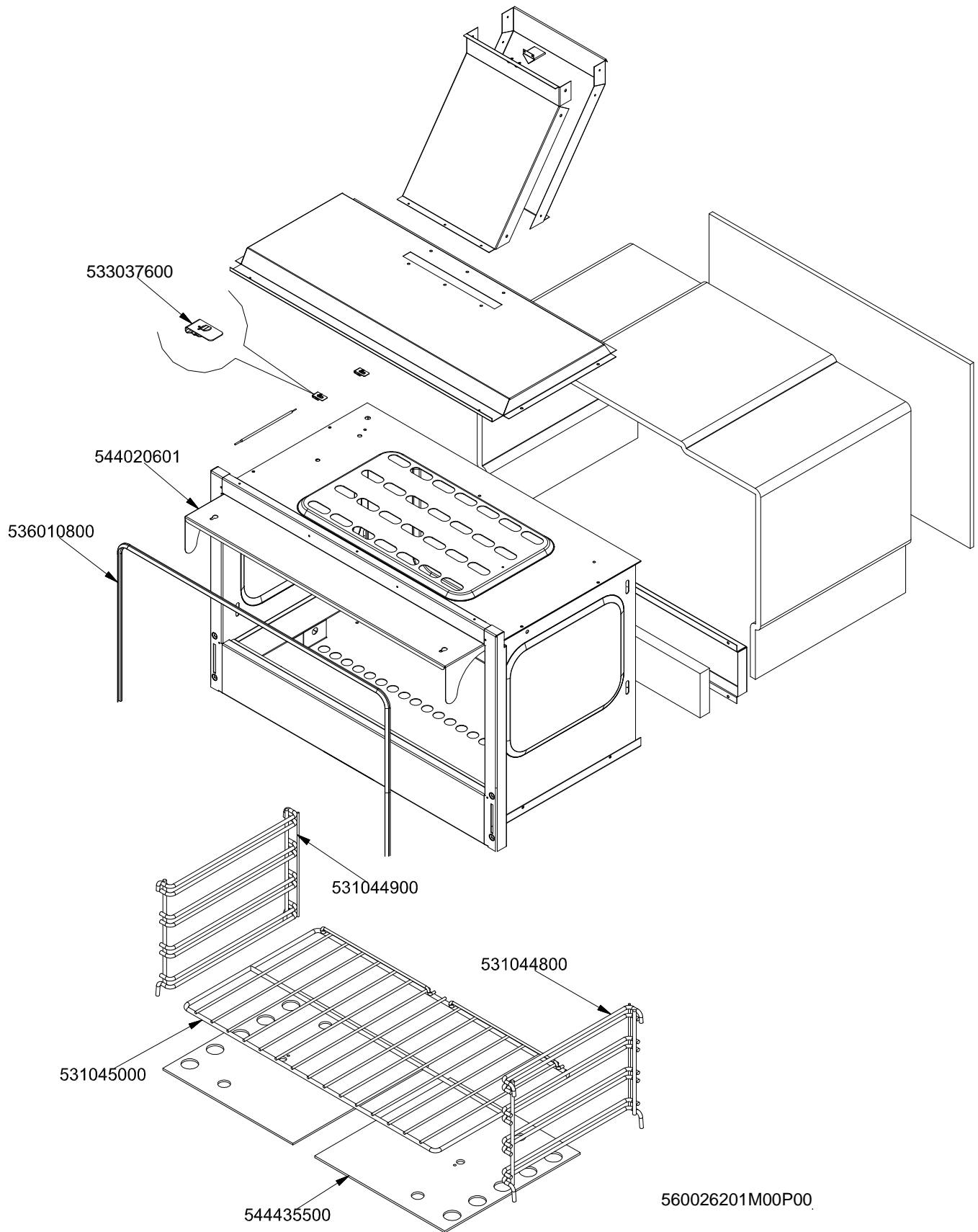
PORTE / DOORS / TÜREN / PORTES / GN2/1 (CF2-CF3)



MAGICLOTUS 60

CUCINE / RANGES / HERDE / CUISINIÈRES
FORNO / OVEN / BACKOFEN / FOUR / CF...-68 CF...-610 CF...-612

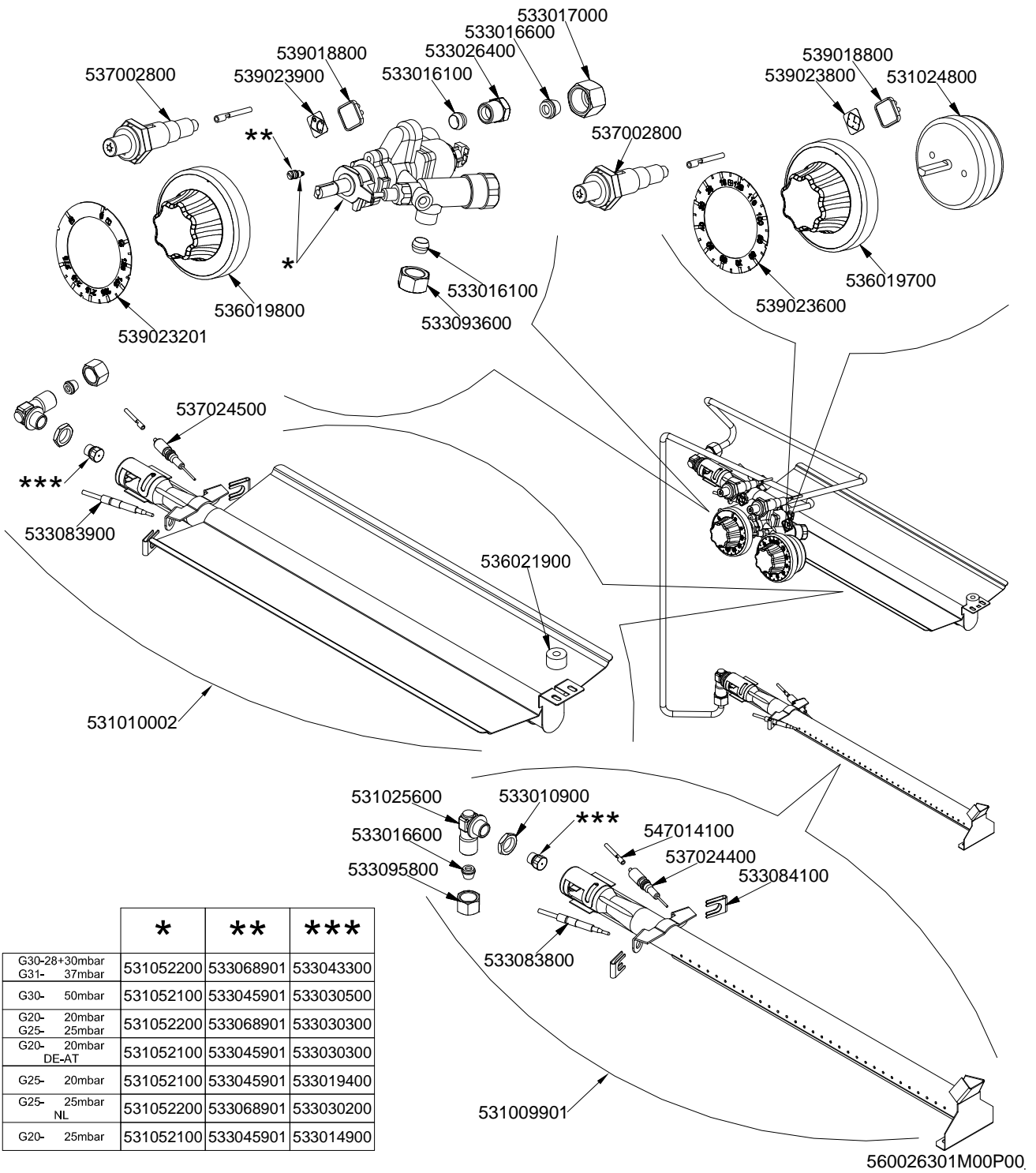
GAS / GAS / GAS / GAZ / GN 2/1 (CF2-CF3)



MAGICLOTUS 60

CUCINE / RANGES / HERDE / CUISINIÈRES
 FORNO / OVEN / BACKOFEN / FOUR / CF...-68 CF...-610 CF...-612

GAS / GAS / GAS / GAZ / GN 2/1 (CF2-CF3)

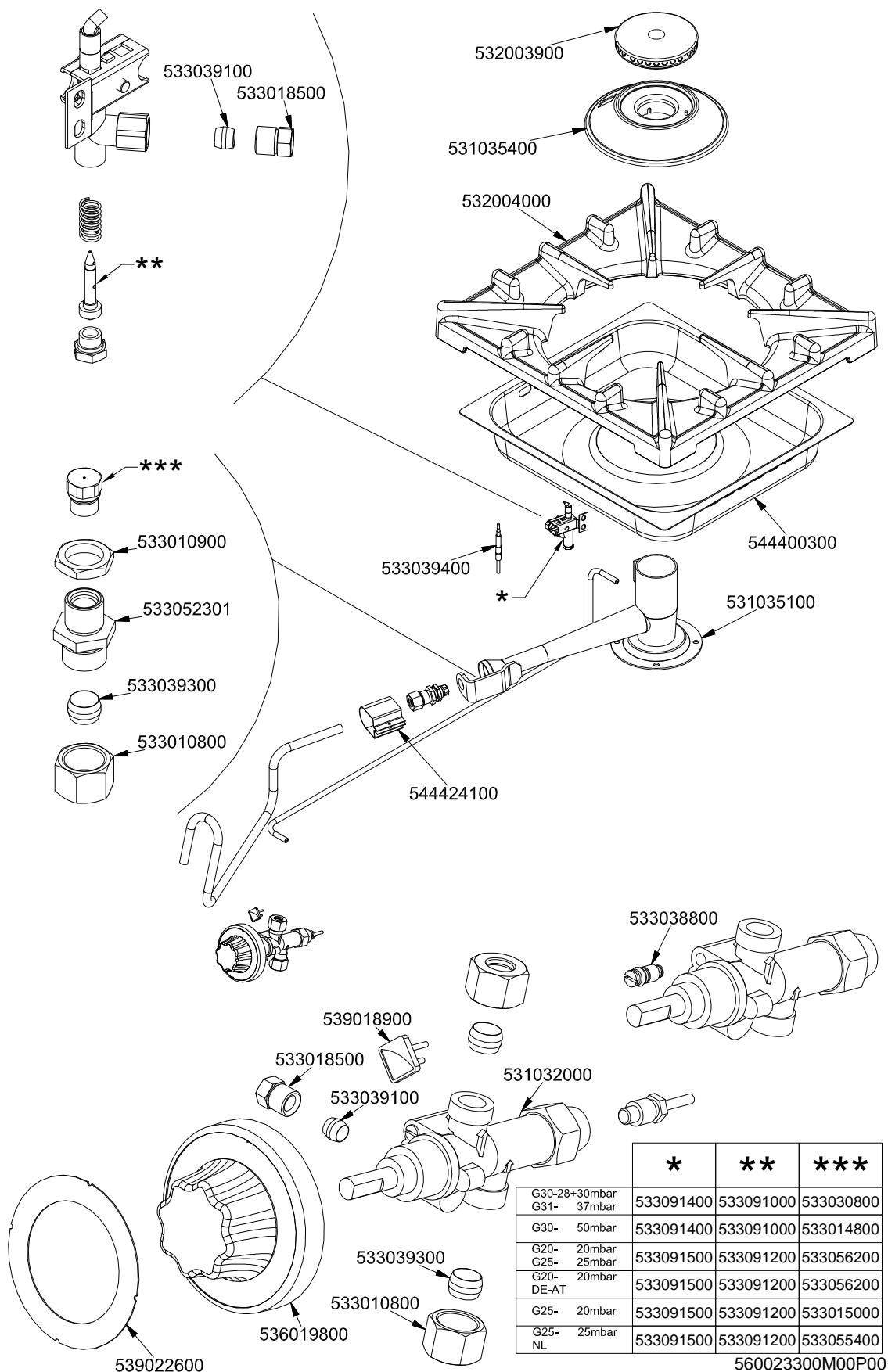


MAGICLOTUS 60

CUCINE / RANGES / HERDE / CUISINIÈRES

COMPONENTI COMUNI / STANDARDS PARTS / UEBLICHE TEILE / COMPOSANTS COMMUNS

PC-G 10KW



	*	**	***
G30-28+30mbar	533091400	533091000	533030800
G31- 37mbar	533091400	533091000	533014800
G30- 50mbar	533091400	533091000	533014800
G20- 20mbar	533091500	533091200	533056200
G25- 25mbar	533091500	533091200	533056200
G20- 20mbar	533091500	533091200	533056200
G20- DE-AT	533091500	533091200	533056200
G25- 20mbar	533091500	533091200	533015000
G25- 25mbar	533091500	533091200	533055400
G25- NL	533091500	533091200	533055400

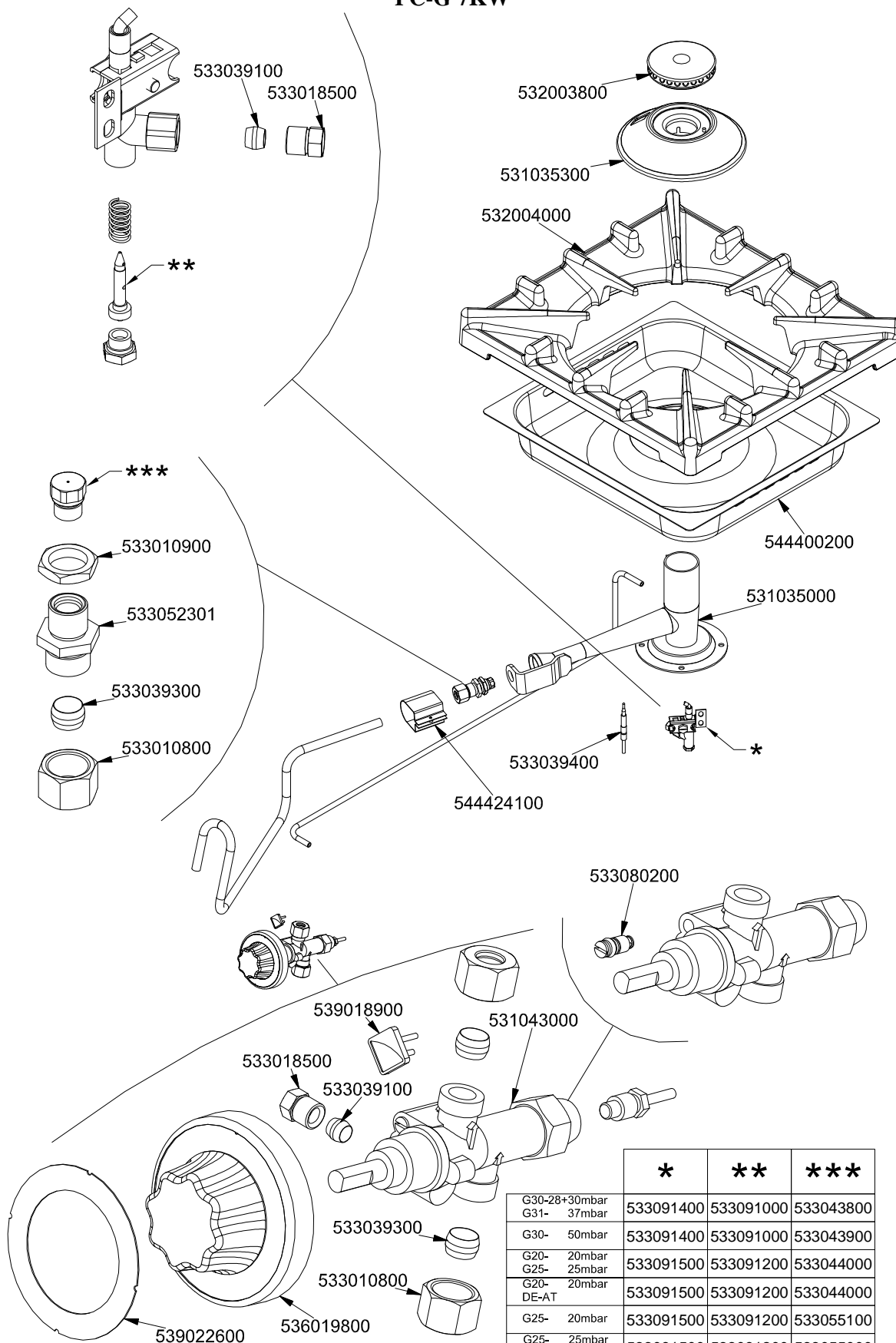
560023300M00P00

MAGICLOTUS 60

CUCINE / RANGES / HERDE / CUISINIÈRES

COMPONENTI COMUNI / STANDARDS PARTS / UEBLICHE TEILE / COMPOSANTS COMMUNS

PC-G 7KW



	*	**	***
G30-28+30mbar	533091400	533091000	533043800
G31- 37mbar	533091400	533091000	533043900
G30- 50mbar	533091400	533091000	533043900
G20- 20mbar	533091500	533091200	533044000
G25- 25mbar	533091500	533091200	533044000
G20- 20mbar	533091500	533091200	533044000
G25- 20mbar	533091500	533091200	533055100
G25- 25mbar	533091500	533091200	533055000

560023200M00P00

Page	Pos	Code	Description
001		541199100	UPPER PLATE FOR 60T CF 2-6 8 G
001		533009200	REDUCTION FOR 65 AND 70 LINE
001		544540300	
001		541133501	CONTROL PANEL CF2-58G
001		544540200	
001		531048400	INOX LEG Ø1"3/4 100-165 M10
002		531013100	OVEN DOOR HANDLE OF 70/90-LINE
002		544186900	OVEN DOOR GN 2/1 S.70
002		531022800	LEFT OVEN DOOR HINGE S.70
002		544187100	OVEN INNER DOOR GN 2/1 S.70
002		531022900	HINGE DOOR WHEEL HOLDER S.70
002		531022700	RIGHT OVEN DOOR HINGE 70LINE
003		533037600	LOCK SPRING FOR BULB
003		544020601	HANDLEPROTECTION FOR CF-55
003		536010800	OVEN GASKET GN 2/1 (1261)
003		544435500	55 GAS OVEN BOTTOM GN1/1
003		531044900	LHD SUPPORT GRID OVEN S55
003		531044800	RHD SUPPORT GRID OVEN S55
003		531045000	GRID OVEN GN 1/1 S55
004		533026400	ELBOW FOR BICONE D.8 M13X1
004		533016100	BICONE D.8
004		539018800	INDEX FOR OVEN KNOB
004		539023800	SIGN PLATE FOR OVEN TIMER
004		531024800	TIMER 120' - 360°
004		533017000	THREADED FITTING FOR BICONE 8S
004		533016600	BICONE §8 H.6 SABAF DIS.688
004		539023900	SIGN PLATE FOR OVEN TEMPERATURE
004		537002800	PIEZOELECTRIC IGNITION M18
004		536019700	BLACK KNOB §70 PIN §6*5
004		539023600	ADHESIVE GRADUATED DISC FOR KNOB
004		536019800	BLACK KNOB §70 PIN §8*6,5
004		533093600	BICONE FITTING §8 M13 FEM.SABAF
004		539023201	ADHESIVE GRADUATED DISC FOR KNOB
004		537024500	PLUG IGNITION FOR GRILL-BURNER
004		533010900	NUT M14*1 H.4
004		533083900	THERMOCOUPLE 1000 M8*1 OVEN BURNER
004		547014100	HIGH-VOLTAGE CABLE §2 L=100
004		531010002	GRILL BURNER FOR CF-55/60
004		533084100	LOCK SPRING FOR PLUG-THERMOCOUPLE
004		531025600	ELBOW 90° NOZZLE-HOLDER §10 PIPE
004		537024400	PLUG IGNITION FOR OVEN-BURNER
004		533095800	TUBE NUT D.08 M16*1,5
004		533083800	THERMOCOUPLE 1200 M8*1 OVEN BURNER
004		531009901	OVEN BURNER CF-8/10G
004		531052200	§50 BY-PASS SAFETY COCK S55
004		533068901	§50 BY-PASS COCK F.OVEN CF60/65/55
004		533043300	NOZZLE §103 CH12*14 F-PC4 UR
004		531052100	§45 BY-PASS SAFETY COCK S55
004		533045901	§45 BY-PASS THERMOSTATIC TAP
004		533030500	NOZZLE §90 CH12X14 G30/CE
004		533030300	NOZZLE §160 CH12*14 M-FPG

Page	Pos	Code	Description
004		533019400	NOZZLE §180 CH12*14 L-FQ5
004		533030200	NOZZLE §170 CH12*14 MH-FG L-FP/CW
004		533014900	NOZZLE §150 CH12*14 F-FQ5 L-FQ6
005		533039100	BICONE §6
005		533018500	FITTING FOR BICONE D.6 M10*1
005		532003900	BURNER COVER RING §100
005		531035400	BIG BURNER BODY 90 LINE
005		532004000	1 FLAME GRILL 396X366 (90)
005		544400300	BURNER DRIP PAN 2/3
005		531035100	BIG BURNER VENTURI 90 LINE
005		544424100	
005		533010900	NUT M14*1 H.4
005		533052301	JOINT FOR NOZZLE HOLDER
005		533039300	BICONE §10
005		533010800	TUBE NUT D.10 M16*1,5
005		539018900	INDEX FOR KNOB
005		531032000	GAS COCK P.V.BY-PASS Ø075
005		533038800	75 BY-PASS FOR 21S TAP
005		536019800	BLACK KNOB §70 PIN §8*6,5
005		539022600	GRADUATED STICKER FOR KNOB
005		533091400	P.NOZZLE S100 UG.§20 PC90 LPG-FLUS
005		533091000	NOZZLE 0.100 §20
005		533030800	NOZZLE §155 CH12X14 M-CW
005		533014800	NOZZLE §135 CH12*14,0
005		533091500	PILOT NOZZLE S.100 §30 PC90 NAT.GAS
005		533091200	PILOT NOZZLE 0100 Ø35 PIL.PC
005		533056200	NOZZLE §230 CH12*14
005		533015000	NOZZLE D.I 260 G110 (TOWN GAS)
005		533055400	NOZZLE §245 CH12*14
006		533039100	BICONE §6
006		533018500	FITTING FOR BICONE D.6 M10*1
006		532003800	BURNER COVER RING §082
006		531035300	MEDIUM BURNER BODY 90 LINE
006		532004000	1 FLAME GRILL 396X366 (90)
006		533010900	NUT M14*1 H.4
006		533052301	JOINT FOR NOZZLE HOLDER
006		533039300	BICONE §10
006		533010800	TUBE NUT D.10 M16*1,5
006		544400200	BURNER DRIP PAN 2/3
006		531035000	MEDIUM BURNER VENTURI 90 LINE
006		533039400	THERMOCOUPLE M9*1*850
006		544424100	
006		533080200	BY PASS COCK §65 20S-21S
006		531043000	GAS COCK 21S P.V. BY-PASS §065
006		539018900	INDEX FOR KNOB
006		536019800	BLACK KNOB §70 PIN §8*6,5
006		539022600	GRADUATED STICKER FOR KNOB
006		533091400	P.NOZZLE S100 UG.§20 PC90 LPG-FLUS
006		533091000	NOZZLE 0.100 §20
006		533043800	NOZZLE §130 CH12*14 G-CW4
006		533043900	NOZZLE §115 CH12*14 F-CW4

Page	Pos	Code	Description
006		533091500	PILOT NOZZLE S.100 §30 PC90 NAT.GAS
006		533091200	PILOT NOZZLE 0100 Ø35 PIL.PC
006		533044000	NOZZLE §195 CH12*14 M-CW4
006		533055100	NOZZLE §215 CH12*14 L-CW4
006		533055000	NOZZLE §205 CH12*14 G25 CW4