



TOAST-MAX[®]

Electric Conveyor Toasters

TM-5H, -10H Series

REPLACEMENT

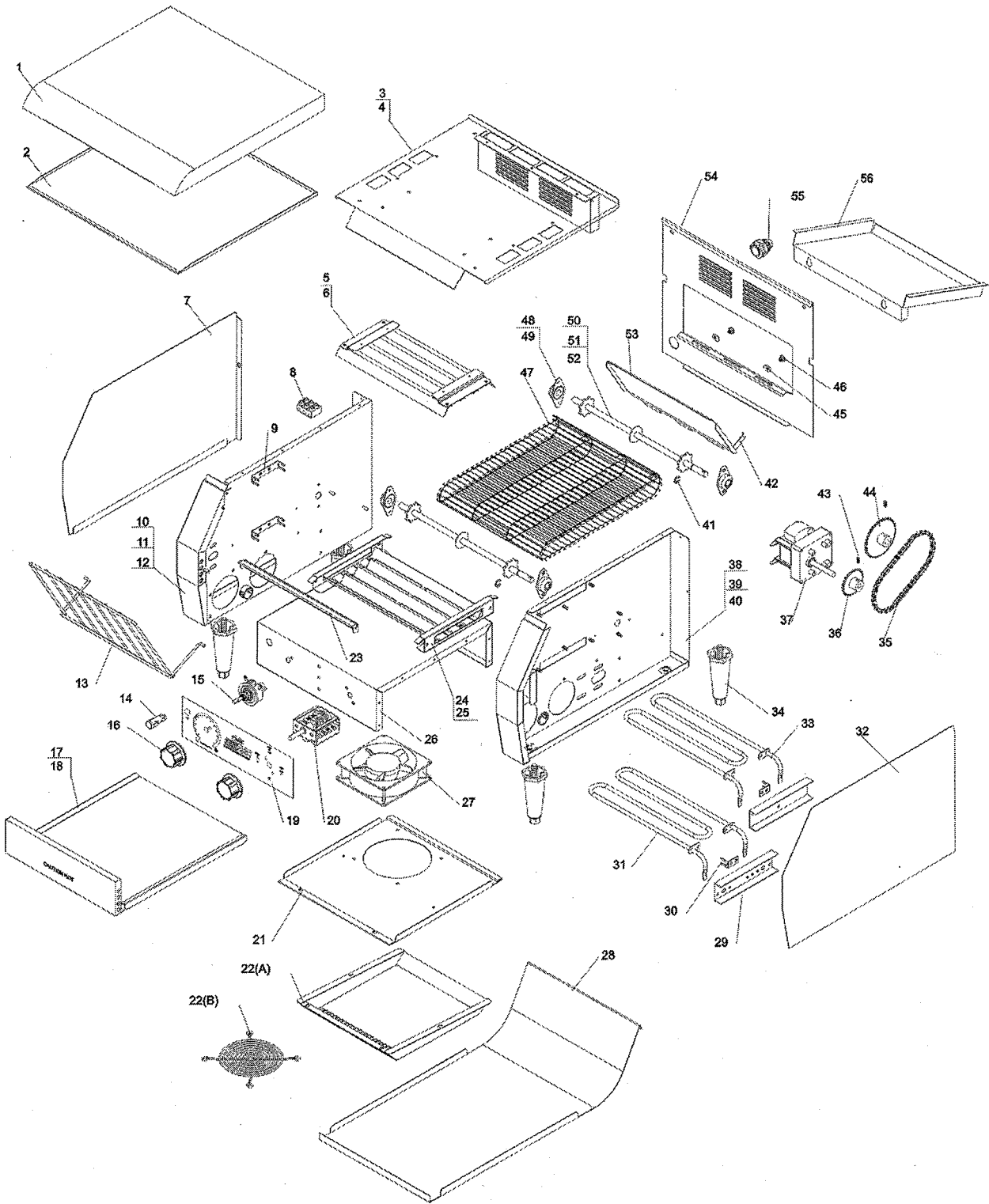
PRICE (Euro)

&

PARTS LIST

INFORMATION

HATCO TM10H / TM5H Parts Diagram



MODEL TM-5H & TM-10H

<u>Item</u>	<u>Description</u>	<u>Hatco Part Number</u>
1 & 2	Top Cover with Insulation, TM-5H	X04.05.435.00
1 & 2	Top Cover with Insulation, TM-10H	X04.05.434.00
7	Side Panel (LH)	X04.05.436.00
8	Terminal Block - 3 Pole	X02.15.052.00
13	Wire Feed Ramp, TM-5H	X04.05.447.00
13	Wire Feed Ramp, TM-10H	X04.05.448.00
14	Indicator Light - Green	X02.19.175.00
14	Indicator Light - Red	X02.19.176.00
15	Rheostat Speed Control - 120V	X02.13.331.00
15	Rheostat Speed Control - 220V	X02.13.330.00
16	Control Knob	X05.30.093.00
17	Crumb Tray, TM-5H	X04.05.445.00
18	Crumb Tray, TM-10H	X04.05.444.00
19	Decal-Control, TM-5H	X07.03.465.00
19	Decal-Control, TM-10H	X07.03.466.00
20	Selector Switch	X02.19.174.00
22A	Cover, Cooling Fan, TM-10H	X04.05.446.00
22B	Fan Guard, TM-5H	X02.12.084.00
27	Fan, Circulating, 120V	X02.12.085.00
27	Fan, Circulating, 220V	X02.12.082.00
28	Discharge Chute, TM-5H	X04.05.443.00
28	Discharge Chute, TM-10H	X04.05.442.00
29	Bracket, Heat Element	X04.05.449.00
31	Heat Element, Bottom, TM-5H, 120V	X02.09.264.00
31	Heat Element, Bottom, TM-5H, 220V	X02.09.259.00
31	Heat Element, Bottom, TM-10H, 120V	X02.09.265.00
31	Heat Element, Bottom, TM-10H, 220V	X02.09.261.00
32	Side Panel (RH)	X04.05.437.00
33	Heat Element, Top, TM-5H, 120V	X02.09.262.00
33	Heat Element, Top, TM-5H, 220V	X02.09.258.00
33	Heat Element, Top, TM-10H, 120V	X02.09.263.00
33	Heat Element, Top, TM-10H, 220V	X02.09.260.00
34	Leg 10cm (4")	X05.30.092.00
35	Drive Chain, TM-5H	X05.03.040.00
35	Drive Chain, TM-10H	X05.03.044.00
36	Sprocket-Motor, TM-5H	X05.09.052.00
36	Sprocket-Motor, TM-10H	X05.09.053.00
37	Gear Motor, 120V	02.12.081.00
37	Gear Motor, 220V	02.12.079.00
41	Retaining Ring	X05.03.043.00
44	Sprocket Conveyor, TM-5H	X05.09.054.00
44	Sprocket Conveyor, TM-10H	X05.09.055.00
46	Thumb Screw	X05.04.488.00
47	Wire Belt, TM-5H	X05.03.041.00
47	Wire Belt, TM-10H	X05.03.042.00
48	Bearing Assembly	X05.02.024.00
50	Shaft Assembly, TM-5H	X05.07.025.00
51	Shaft Assembly, TM-10H	X05.07.026.00
53	Discharge Vane, TM-5H	X04.05.440.00
53	Discharge Vane, TM-10H	X04.05.441.00
55	Cord Grip	X02.20.322.00
56	Rear Discharge Tray, TM-5H	X04.05.439.00
56	Rear Discharge Tray, TM-10H	X04.05.438.00
-	Diode, TM	X02.40.046.00
-	Power Cord - Shuko Plug	X02.18.164.00
-	Power Cord - British Plug	X02.18.165.00
-	Power Cord - No Plug	X02.18.166.00

March05

*Prices are subject to change without notice.