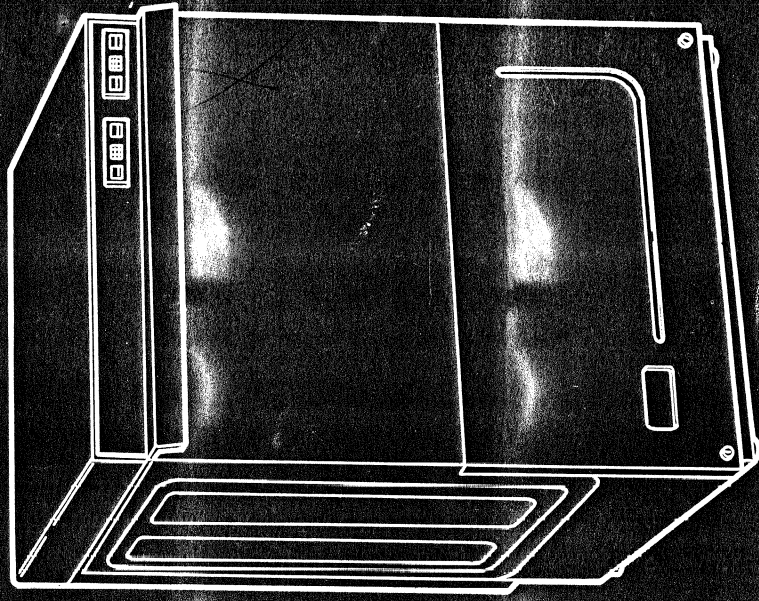


**WOLK**

500  
50



**500 f - fd**  
**50 f - fd electronic**

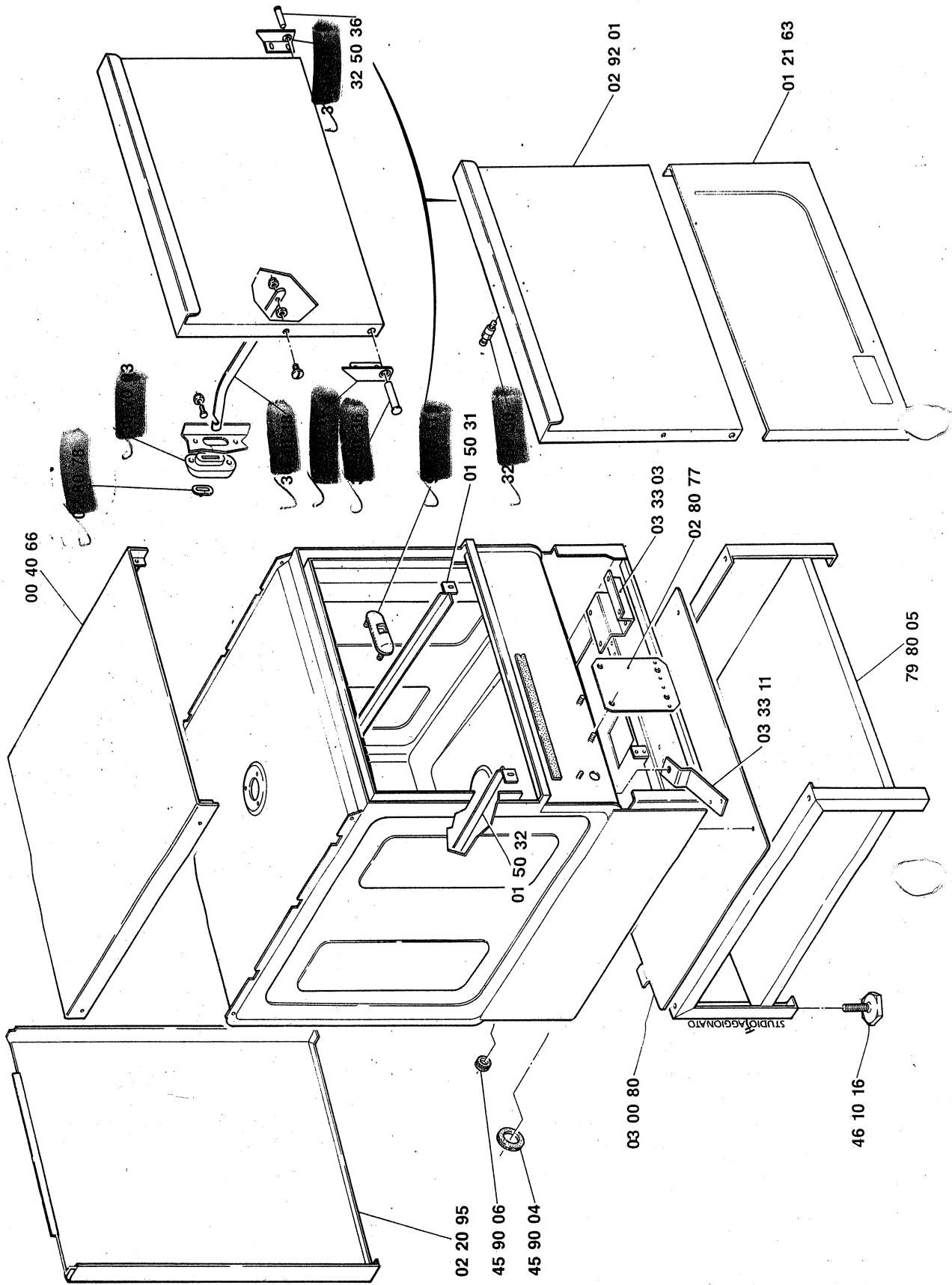
**WOLK**

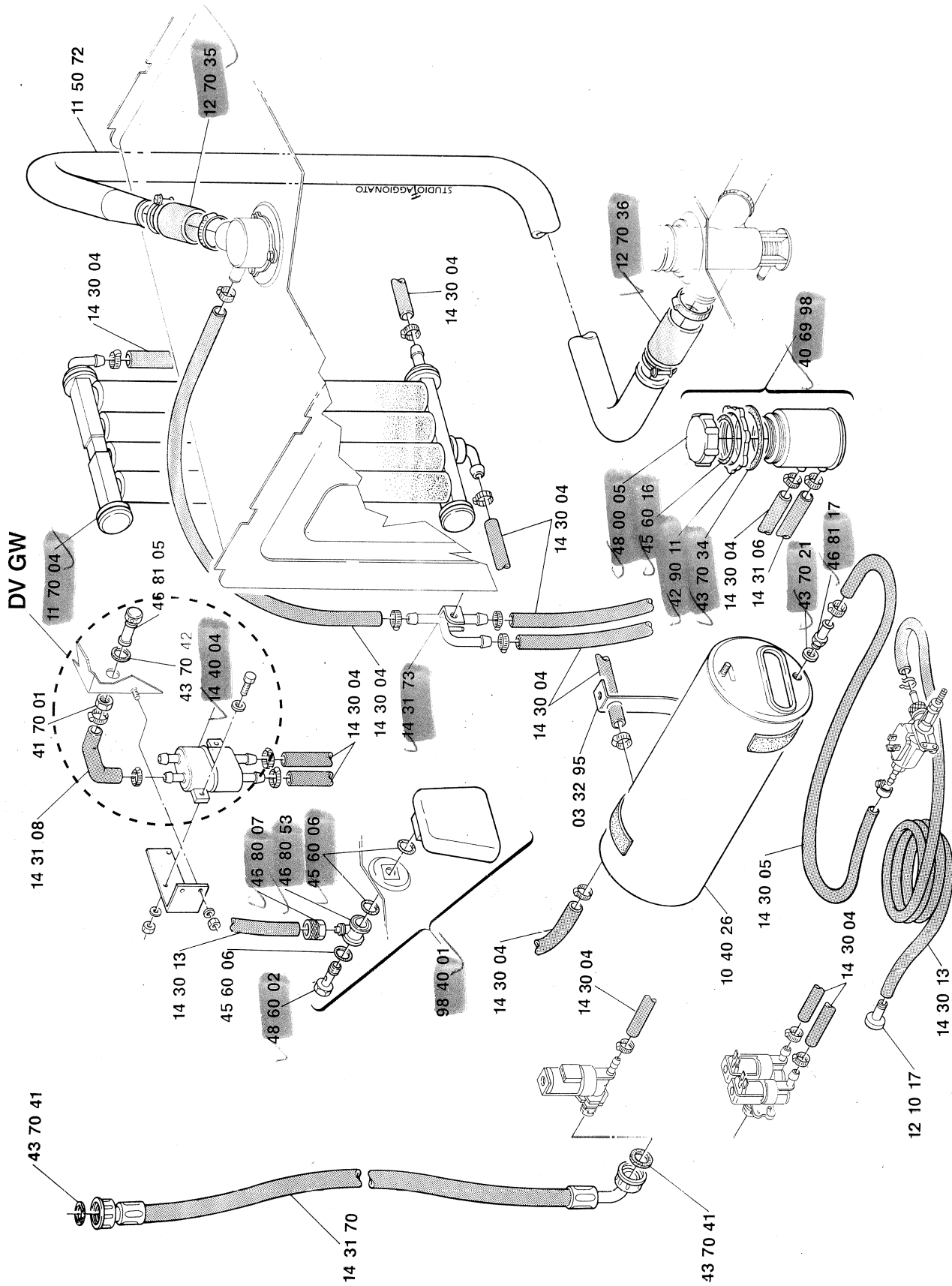
**500 f - fd**

**50 f - fd - electronic**

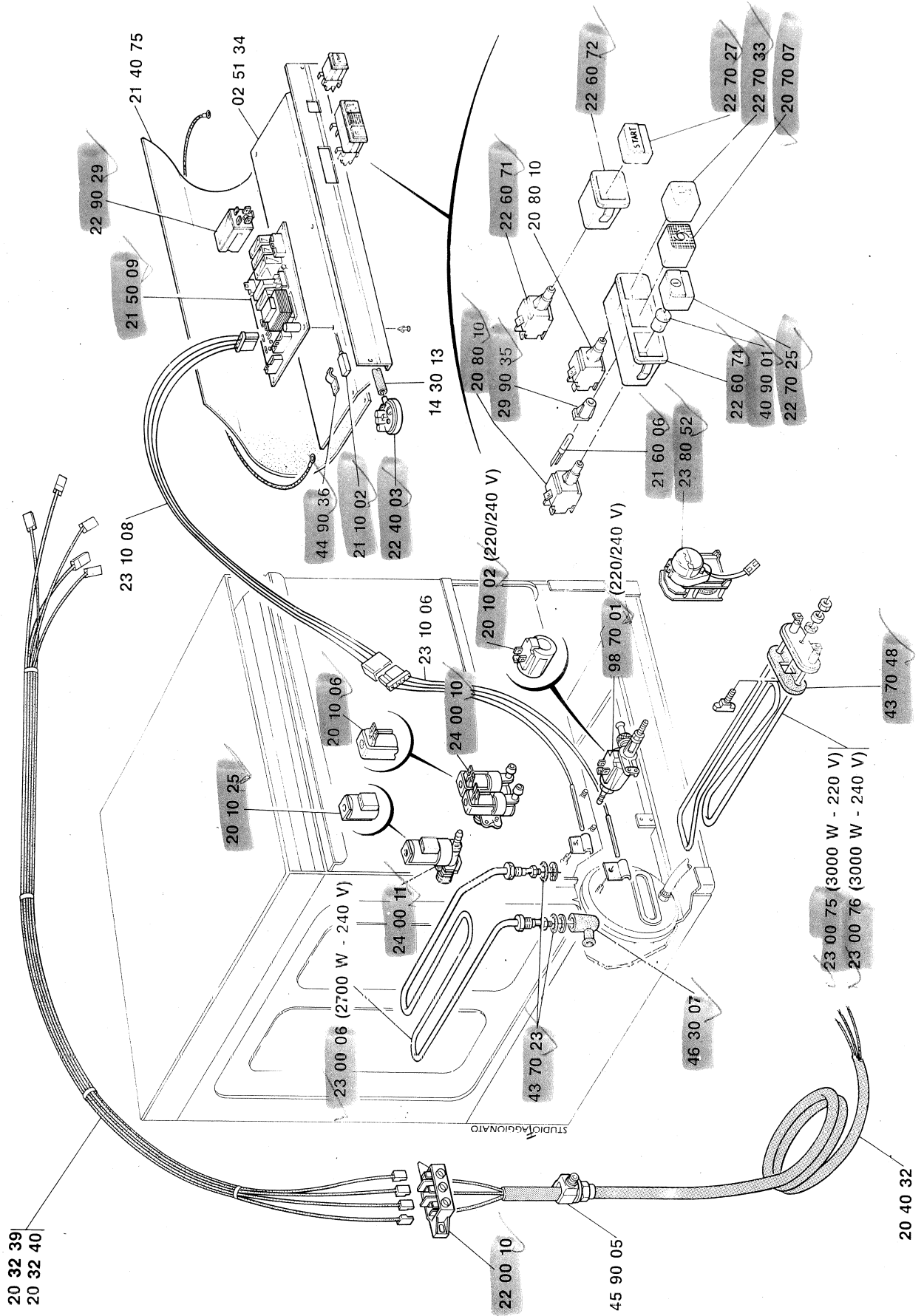
**1**

07.93

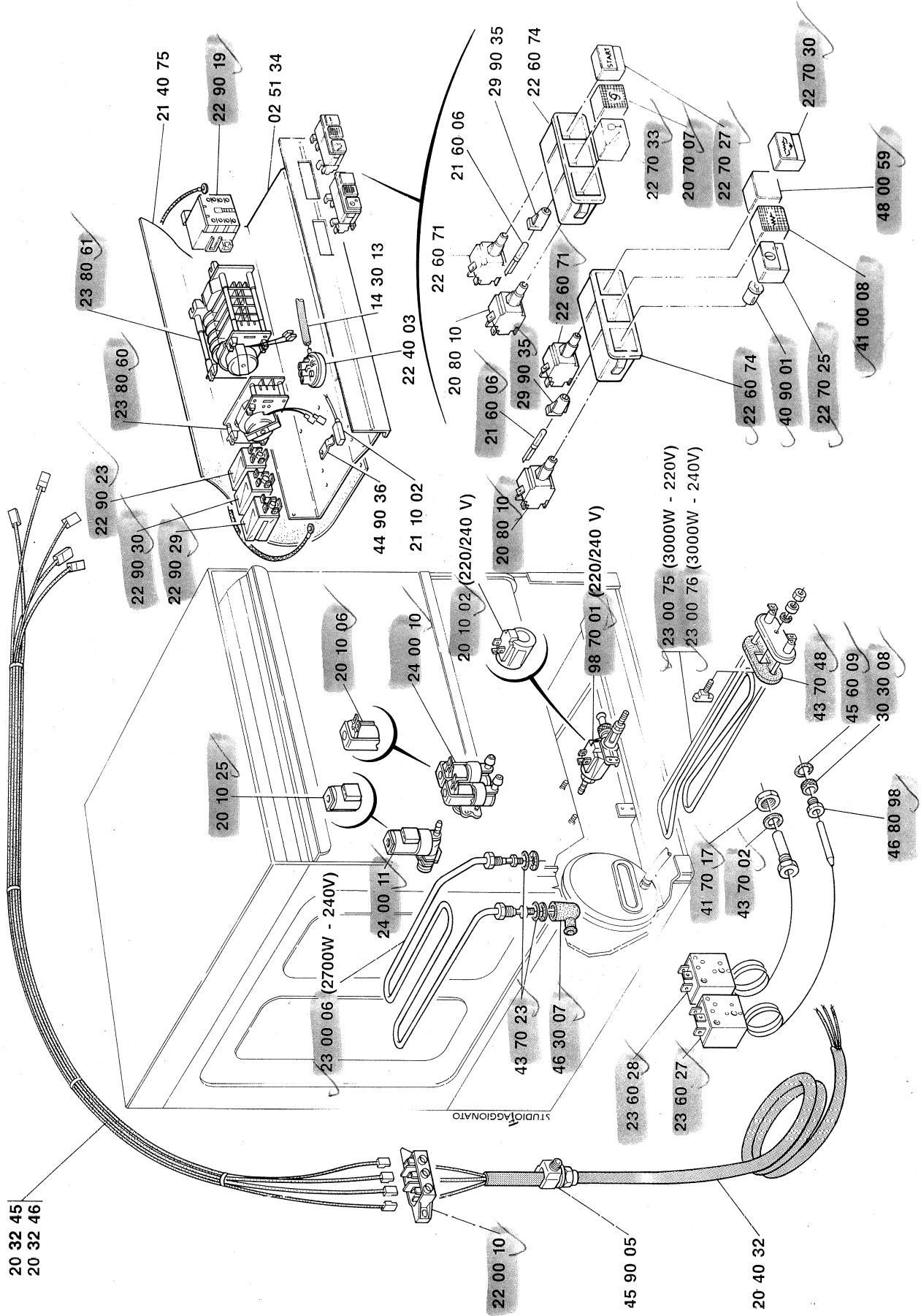


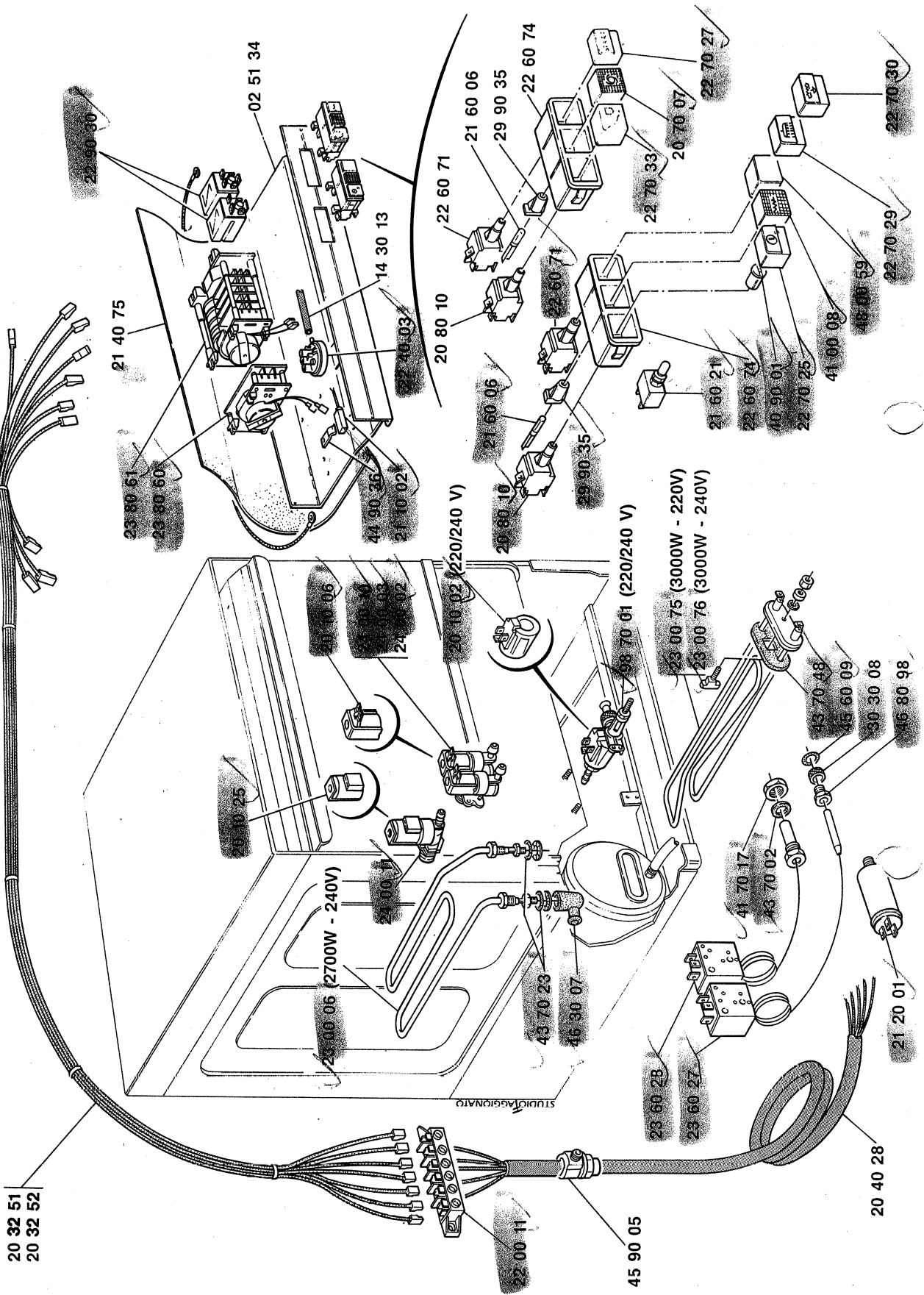




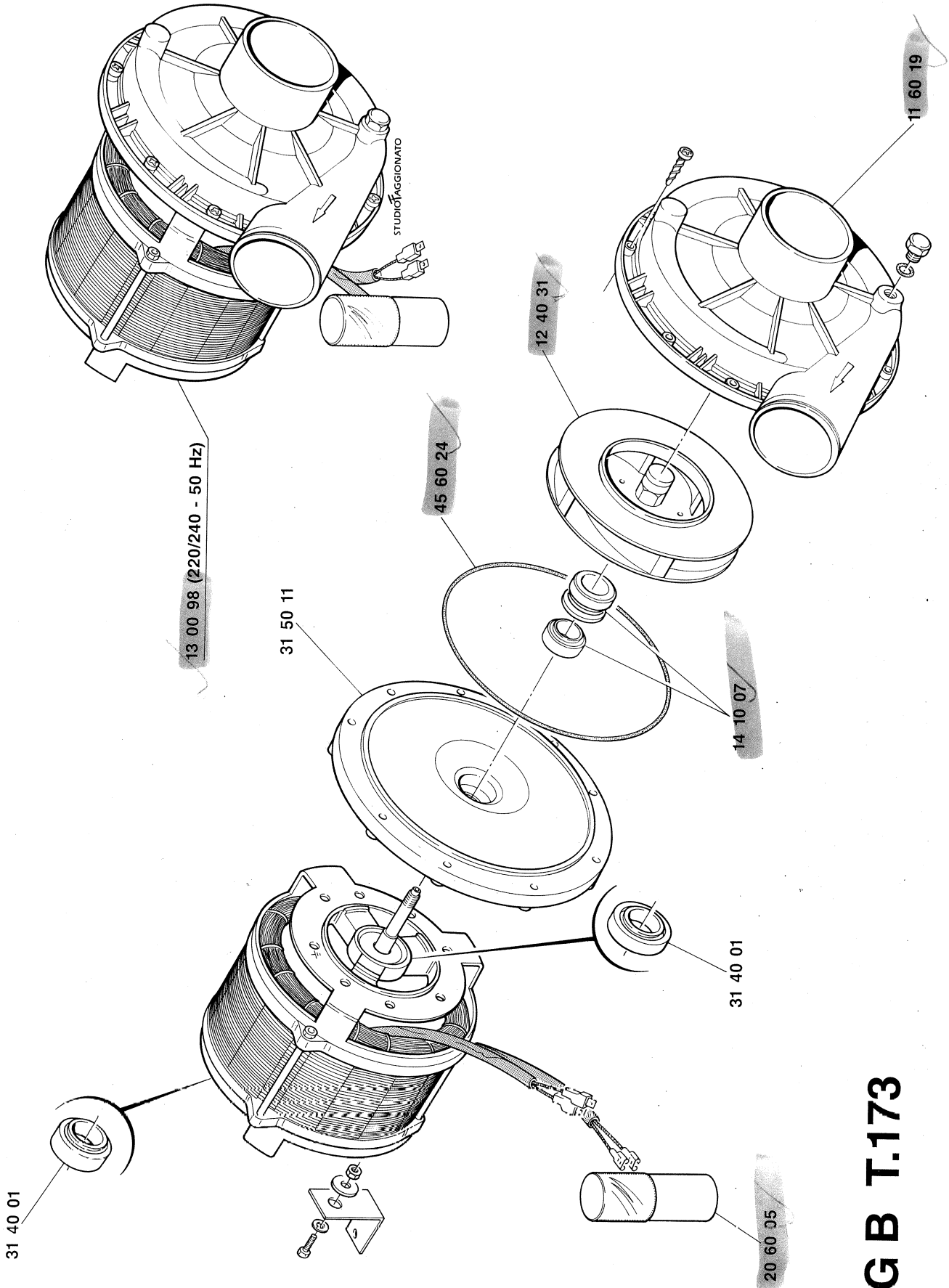












**LGB T.173**