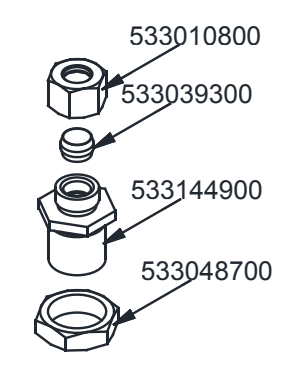
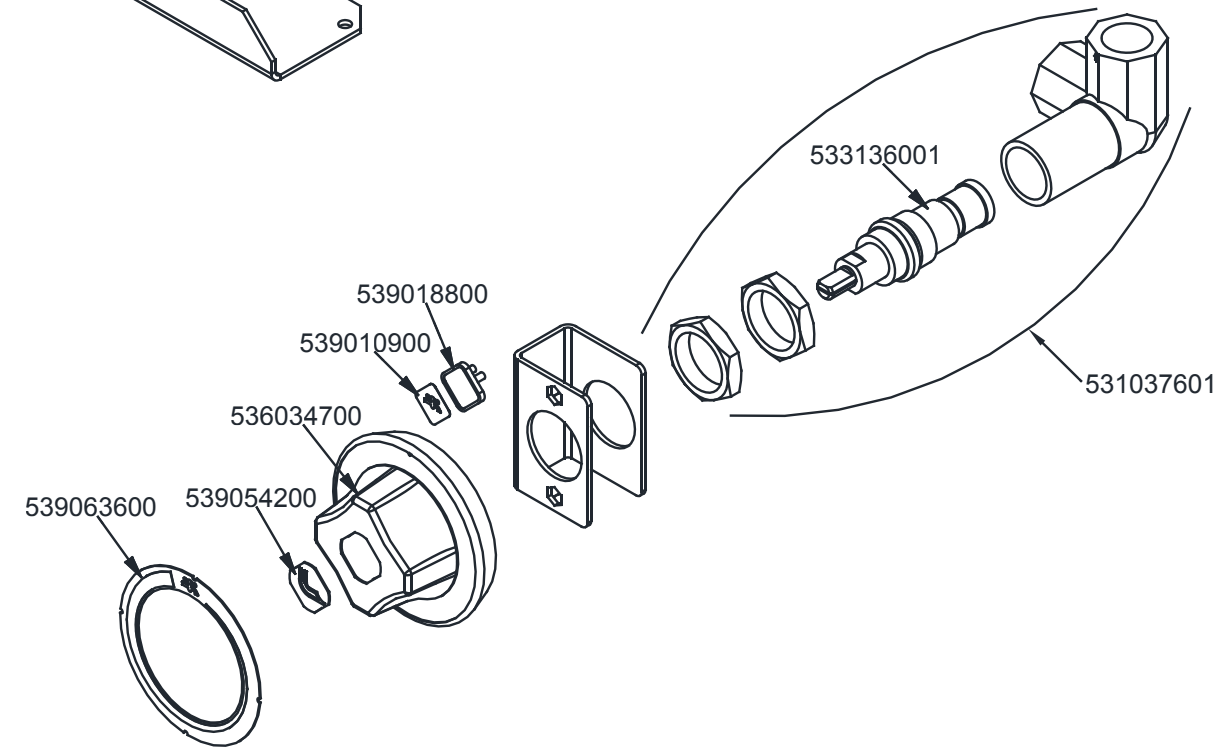
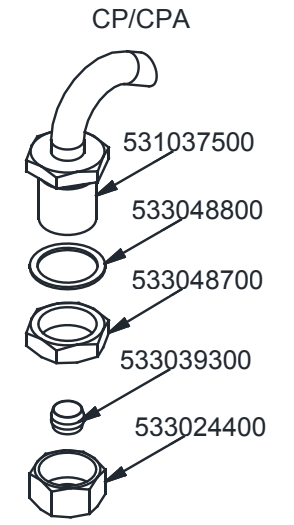
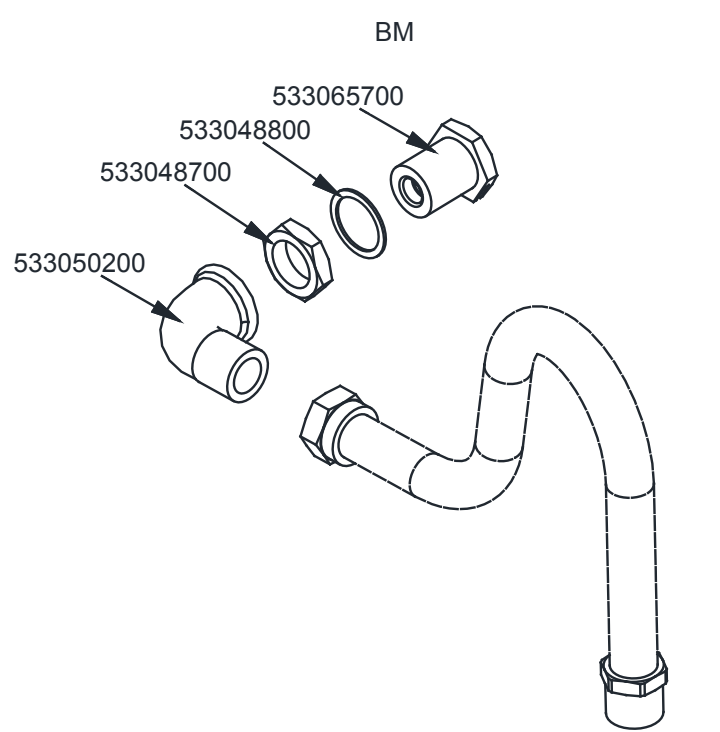
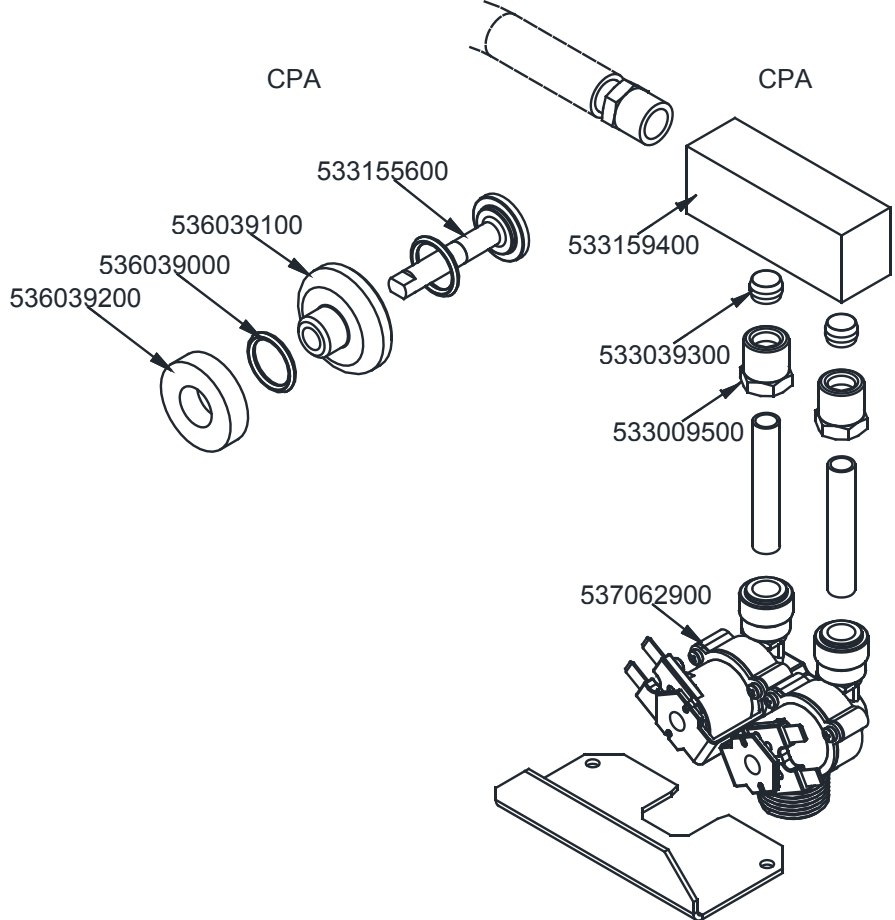


560086101M00P00



560101700M02P00

Page	Pos	Code	Description
001		531021501	BASKET SUPPORT GRID CP S.70
001		544412900	BASKET HOLDER FOR DRAINAGE OF CP90
001		531042800	SEMISPHERE FILTER
001		541271001	UPPER PLATE DROP IN CPD-64ET
001		539018900	INDEX FOR KNOB W/RED SIGN
001		537036500	TERMINAL BLOCK 4POLES 40A SCREW-SCR
001		537027400	TERMINAL BLOCK THREEPHASE 40A
001		537037600	COMMUTATOR 4 POS.3PHASE S.43 32A
001		536034400	KNOB §77 4P. §06*4,6 C/M
001		539054200	STAMP Ø20,5 CR."L" LOTUS R.
001		537048900	HEATING EL. 9000W 230V 3 ROTAT.EL.
001		537014200	GREEN WARNING LIGHT 250V
001		537014100	WHITE WARNING LIGHT 250V
001		539060100	RED ADESIVE DISK FOR CPT-ET
001		537050400	SAFETY THERMOSTAT 185°C THREEPHASE
001		531018600	BALL VALVE 1"G M-F CPM-62G
001		533040000	1"G F-F-F "T" FITTING
001		536009800	GASKET O-RING 47,22X3,53 VITON
001		533039900	PIPE HOLDER 1" G M D.24
001		533038200	1" G M-F ELBOW FITTING
002		536039100	GUIDA PER SENSORE ACQUA
002		536039000	GUARNIZ.O-RING 12,42X1,78 SILIC.
002		536039200	DISTANZIALE PER SENSORE ACQUA
002		533159400	RACC.UN.2 U.ELETTROV.ACQUA CP
002		533039300	BICONE §10
002		533009500	NIPPLE FOR BICONE 10S
002		537062900	ELETTROV.A.3/4GM-2Ø10JG 230V RPV
002		533065700	FITTING FOR WATER INPUT 1/2G
002		533048800	GASKET §30*§21*2 FIBRE
002		533048700	NUT 1/2G ZN
002		533050200	90° 1/2 M/F ELBOW FITTING
002		531037500	RACCORD CA.H2O 1/2G CAN.D10
002		533024400	HEXAGONAL NUT 1/2G TUBE D.10
002		533010800	TUBE NUT D.10 M16*1,5
002		533144900	MALE FITTING WATER INLET M16X1,5
002		539018800	BLANK INDEX FOR KNOB
002		539010900	ADHESIVE LABEL FOR DRAIN COCK
002		536034700	KNOB §77 4P. §08*6,5 F§30
002		539063600	ADHESIVE DISK 72 FOR DRAIN COCK
002		539054200	STAMP Ø20,5 CR."L" LOTUS R.
002		531037601	TAP FOR WATER 90°DX CP