

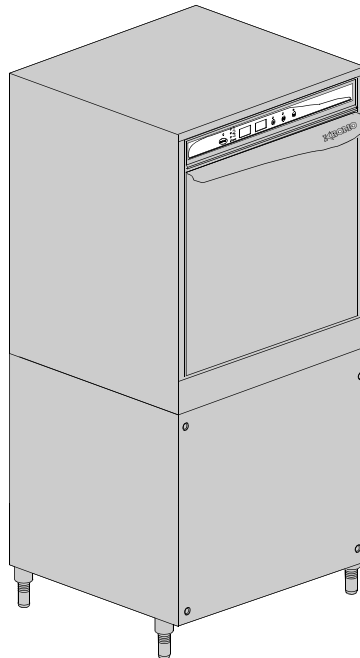
DISHWASHER

ELECTRONICAL SWITCHES
LOWER AND UPPER WASHING

TYPE: LUX 85EL

Accessories
BREAK TANK
BOOSTER PUMP
DVGW
WATER SOFTNER
DETERGENT DISPENSER
DRAIN PUMP

Spare parts manual



INFORMAZIONI GENERALI

Questo catalogo serve per richiedere con esattezza le parti di ricambio

Nelle ordinazioni indicare:

1) il numero dei codici dei particolari seguito dalla descrizione e la quantità desiderata;

2) Il codice alfa-numerico presente nella seconda colonna della tabella ;

I disegni delle parti di ricambio sono solo indicativi e non rappresentano il pezzo in oggetto.

I dati contenuti in questo catalogo sono indicativi e possono essere soggetti a modifiche senza impegno di preavviso.

ALLGEMEINE INFORMATIONEN

Dieser Ersatzteilkatalog dient zur genauen Angabe der Teile bei Ersatzteilbestellungen.

Bei Ersatzbestellung ist folgendes anzugeben:

1) Die Bestellnummer der Ersatzteile mit der entsprechenden Beschreibung genaue Menge;

2) Der alpha-numerischer Code auf der zweiten Reihe in dein Spclud;

Die Zeichnungen der Ersatzteile sind nur als Hinweise gedacht und stellen nicht das betroffene Teil dar.

Bei den im Katalog angeführten Daten handelt es sich um Anhaltsdaten, die jederzeit, ohne Vorankündigung, geändert werden können.

GENERAL INFORMATION

The present spare parts order exactly the right spare parts

When ordering specify:

1) the part's code number followed by its description and quantity needed;

2) The alpha-numeric code is in the second column in the chart;

Spare parts drawings are general and do not represent the part.

The contents of this catalogue are general and can undergo changes without prior notice.

INFORMACIONES GENERALES

El presente catálogo sirve para pedir con exactitud las partes de repuesto

En los pedidos se debe indicar:

1) el número de código de la parte y a continuación la descripción cantidad deseada;

2) El código alfanumerico presente en la segnada columna de la tabla;

Los diseños de las partes de recambio son solo indicativos y no representan la pieza en cuestión.

Los datos contenidos en el presente catálogo son indicativos y pueden modificarse sin aviso previo.

INFORMATIONS GENERALES

Ce catalogue permet de commander correctement les pièces détachées

Les commandes doivent être passées en indiquant:

1) le numero de code des pièces détachées suivi de leur description quantité désirée;

2) le code alphanumérique dans la deuxième colonne du tableau;

Les plans des pièces détachées sont fournis seulement à titre indicatif et ne représentent pas la pièce concernée.

Les données de ce catalogue sont citées seulement à titre indicatif et peuvent être l'objet de modifications sans avis préalable.

ESEMPIO
EXAMPLE
EXEMPLE
BEISPIEL

Rif.	Codici
MODULE:Particolari	
10505	540903
10510	540908
10515	15065/A
10520	540086
10525	540028

Note

Tutte le informazioni riportate si intendono aggiornate alla data di stampa. Il Produttore si riserva il diritto di apportare qualsiasi modifica richiesta dallo sviluppo evolutivo dei suddetti prodotti.

Per la sicurezza, la garanzia, l'affidabilità ed il valore della lavastoviglie usa solo ricambi originali. **Per alcuni codici, sono richieste quantità minime d'ordine.**

Attenzione

Questo libretto è parte integrante della lavastoviglie e, in caso di passaggio di proprietà, deve essere consegnato al nuovo acquirente.

Remarque

Toutes les informations contenues dans ce manuel s'entendent mises à jour à la date d'impression. En raison du développement constant de ses produits, usine se réserve le droit d'apporter à tout instant les modifications qu'elle jugera utiles.

Pour la sécurité, la garantie, la fiabilité et la valeur de votre lavevaisselles n'utilisez que des pièces de rechange d'origine. **Pour quelque référence on demande un minimum de pièces par commande**

Attention

Ce manuel doit être considéré comme partie intégrante de la la lavevaisselles, en cas de transfert de propriété, doit toujours être remis au nouveau propriétaire.

Note

The information contained herein is valid at the time of going to print. The Company reserves the right to make any changes required by the future development of the above-mentioned products.

For your safety, as well as to preserve the warranty reliability and worth of your dishwashers, use original spare parts only. **For some codes a minimum quantity for order is required.**

Warning

This manual forms an integral part of the dishwashers and - if a transfer of title occurs - must always be handed over to the new owner.

Hinweis

Die Der Hersteller behält sich das Recht vor, jegliche, durch eine Weiterentwicklung der genannten Produkte bedingte Änderungen vornehmen zu können.

Verwenden Sie für Ihre Sicherheit, die Garantie, die Zuverlässigkeit und den Wert Ihrer machine originale Ersatzteile. **Für bestimmte Code nummer werden mindesten bestellungen verlangt.**

Achtung

Diese Betriebsanleitung ist Bestandteile des machine und muss bei seinem Weiterverkauf dem neuen Besitzer ausgehändigt werden.



Code 999XYYYY **CL/Part**

Model DESCRIPTION 

S/N 04012345 **Type**

400VAC3N 50HZ 8A
3500W 500W

 16A

IPX3

Pressione Dinamica alimentazione idrica **200-500**
 Pression dynamique arrivee d'eau
 Dynamic pressure water supply
 Dymanischer Druck assereinlauf

Pressione dinamica vapore saturo
 Pression dynamique vapeur satuee
 Dymanischer Druck gesattigter Dampf
 Pression Dinamica Vapor Saturado

TECHICAL SPECIFICATION

MADE IN ITALY

Temperatura massima acqua in ingresso **60°C**
 Temperature max eau a l'entre
 Maximale Temperatur Wasseranschlu
 Maximum Water temperature in-feeding

Model 

S/N 

CODE 999 XX YYYY

FAMIGLIA PRODOTTO
 FAMILY PRODUCT
 FAMILLE DU PRODUIT
 FAMILIA PRODUCTO
 FAMILIE DES PRODUKTES

CODICE MODELLO
 CODE MODEL
 CODE ARTICLE
 CODIGO MODELO
 KODE VON MODELL

S/N 04 012345

ANNO
 YEAR
 ANNÉE
 AN^o
 JAHR

NUMERO DI SERIE
 SERIAL NUMBER
 NUMÉRO DI SÉRIE
 NUMERO DI SERIE
 SERIENNUMMER

1. Spare parts

General body parts.....	7
Lockup system	9
Electric control components.....	11
Electric control ELEKTRO.....	13
Solenoid valve group	15
Solenoid valve group	17
Break Tank	19
Booster pump.....	21
DVGW	23
Water softner group.....	25
Rinse aid dispenser group.....	27
Boiler group	29
Wash pump	31
Dosing detergent group.....	33
Dosing detergent group.....	35
Drain pump group.....	37

Pressure switch group with air trap ...39

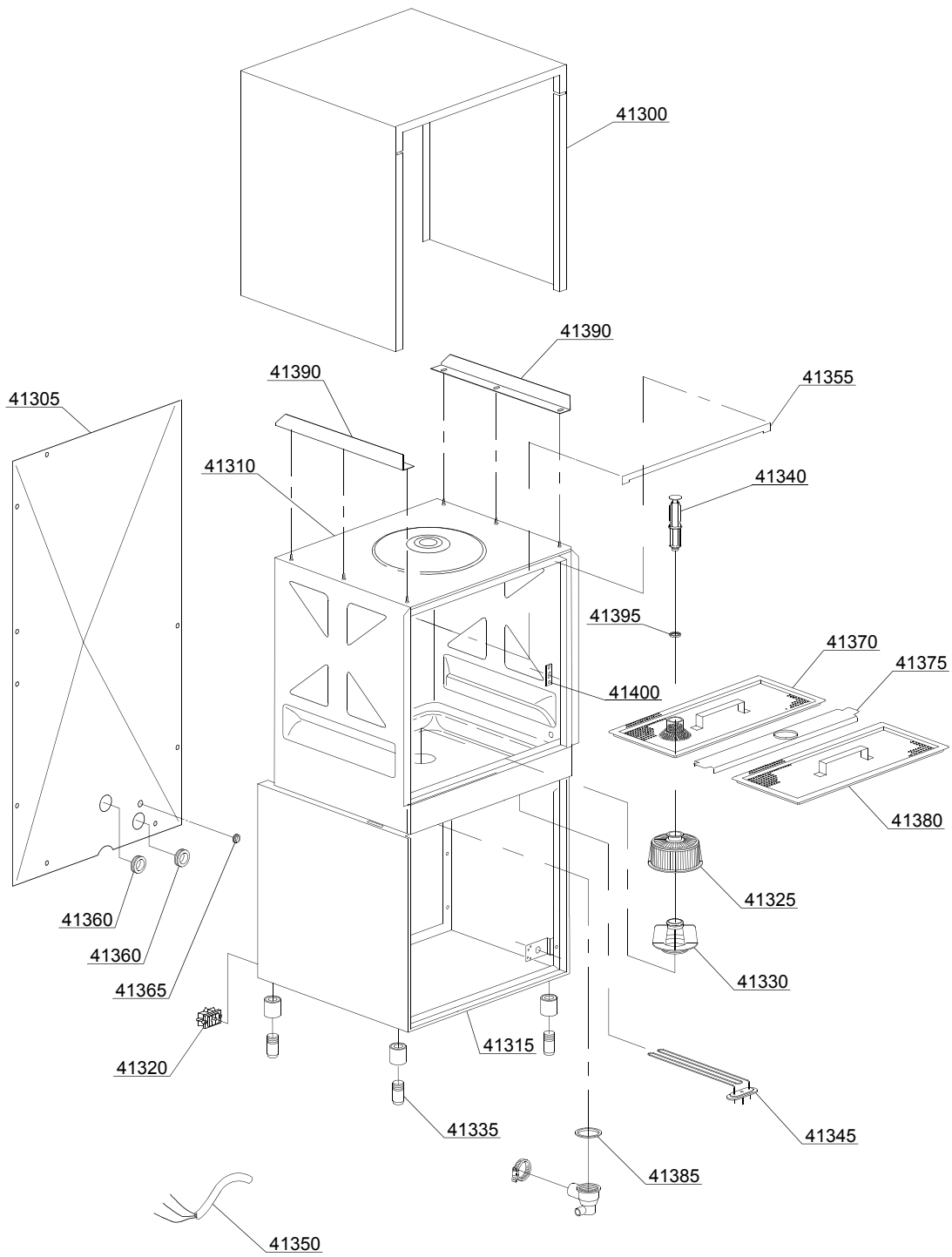
Turret group with rotating arms41

1.1 Voltage codes

Voltage code	Voltage
A	3/N/PE~400/230V 50Hz
B	~250V 16A 50Hz
C	3/N/PE~380/220V 50Hz
D	3/PE~200V 50-60Hz
F	2/PE 220-240V 50Hz
G	3/N/PE~415/240V 50Hz
H	3/PE~230V 50Hz
I	3/PE~220V 60Hz
J	3/PE~380 50Hz
K	3/PE~400V 50Hz
L	3/PE~415V 50Hz
M	3/PE~440V 60Hz
N	3/PE~460V 60Hz
O	3/PE~480V 60Hz
P	1/N/PE~220-240V 50Hz
R	2/PE~220-230V 60Hz
S	3/N/PE~400/230V 50Hz
T	3/PE~230V 60Hz

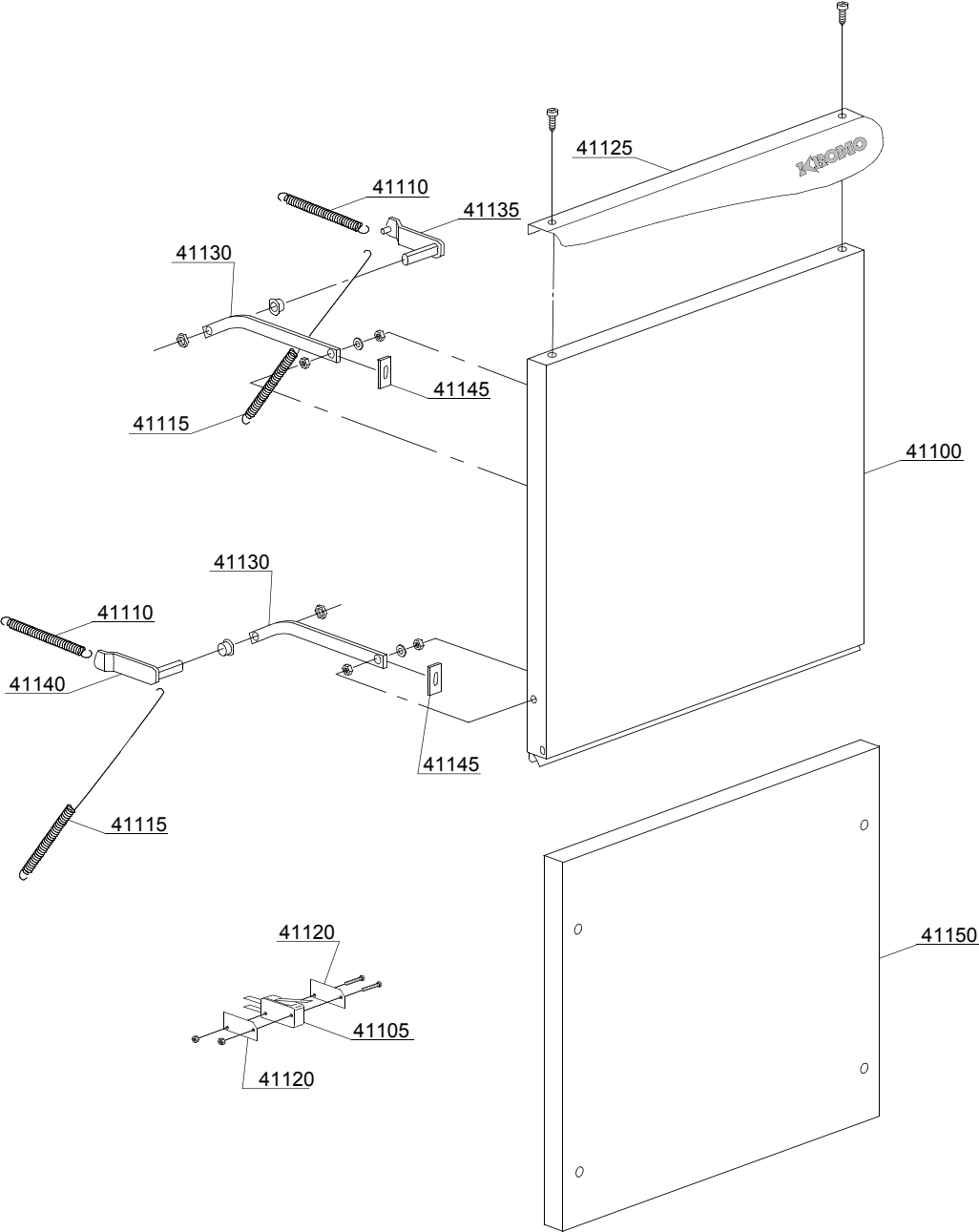
1.2 Product codes

Product code	Full name
Model codes	
ec	ELECTRONICAL SWITCHES
ls	LOWER AND UPPER WASHING
Type codes	
LUX85EL	LUX 85EL
Accessory codes	
bt	BREAK TANK
pap	BOOSTER PUMP
dvgw	DVGW
d	WATER SOFTNER
dde	DETERGENT DISPENSER
ps	DRAIN PUMP



Spare parts

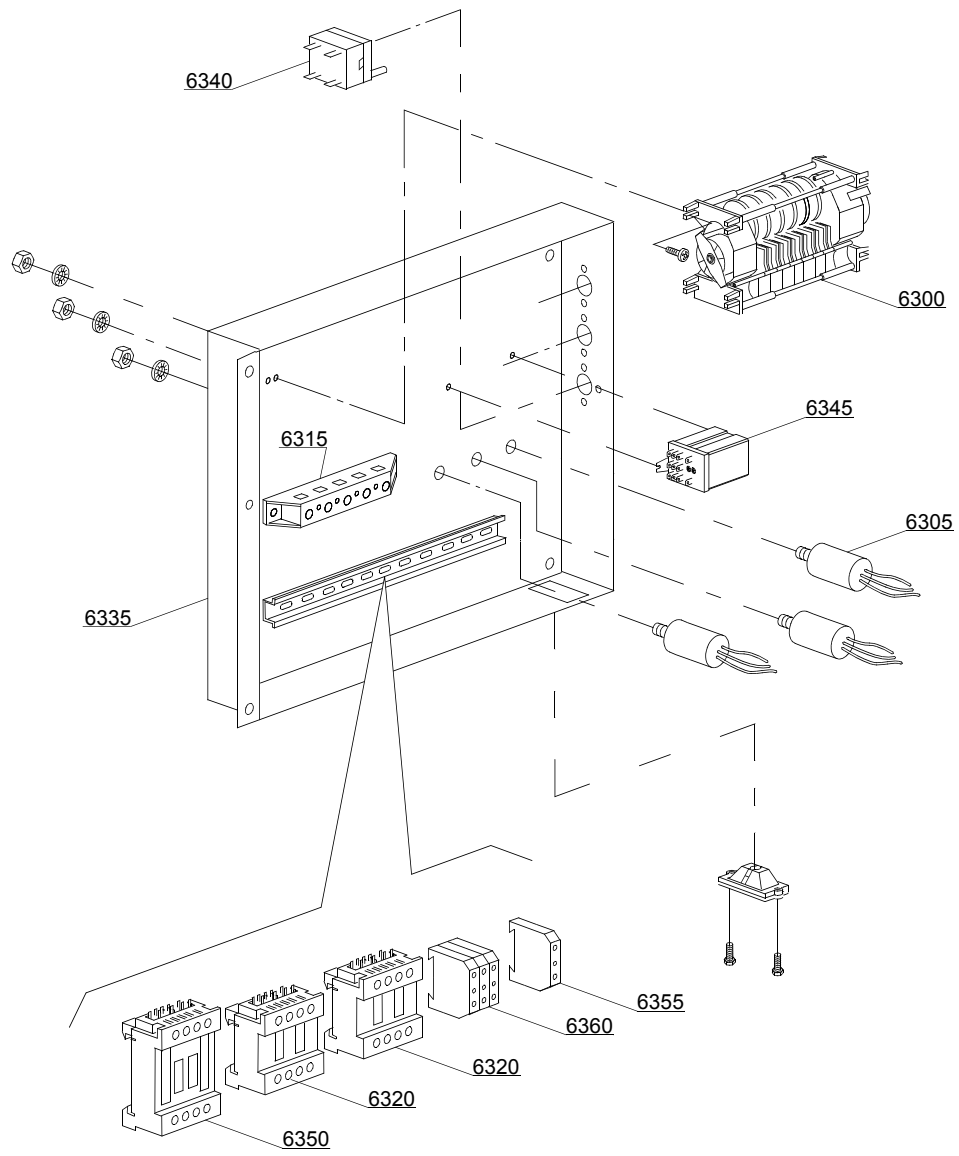
ID	P-code	Model	Type	Accessory	Voltage	Description
MODULE:General body parts						
41300	550944		LUX85EL			Cover
41305	550945		LUX85EL			Back panel
41310	550900		LUX85EL			Body
41315	550903		LUX85EL			Steel base
41315	550937		LUX85EL			Body assembly + steel base
41320	15065/A		LUX85EL			Cable-fastener with screw
41325	500616		LUX85EL			Suction filter
41330	500615		LUX85EL			Ferrule with filter
41335	15116		LUX85EL			Foot
41340	500619		LUX85EL			Overflow pipe
41345	150047		LUX85EL			2,7/2,94KW 230/240V heating element
41350	80200		LUX85EL			5x4x3400 cable
41355	550207		LUX85EL			Door ledge O-ring
41360	13324		LUX85EL			Ø46 mm lead through rubber
41365	13323		LUX85EL			Ø13 mm lead through rubber
41370	550912		LUX85EL			Surface filter for overflow
41375	75926		LUX85EL			Sleeper holder-filter
41380	75626		LUX85EL			Surface half-filter
41385	80208		LUX85EL			95x75x3 O-ring
41390	550947		LUX85EL			Right/left internal slide
41395	13021		LUX85EL			DEM 40 O-ring
41400	150401		LUX85EL			Door rod slide



02_306_e

Spare parts

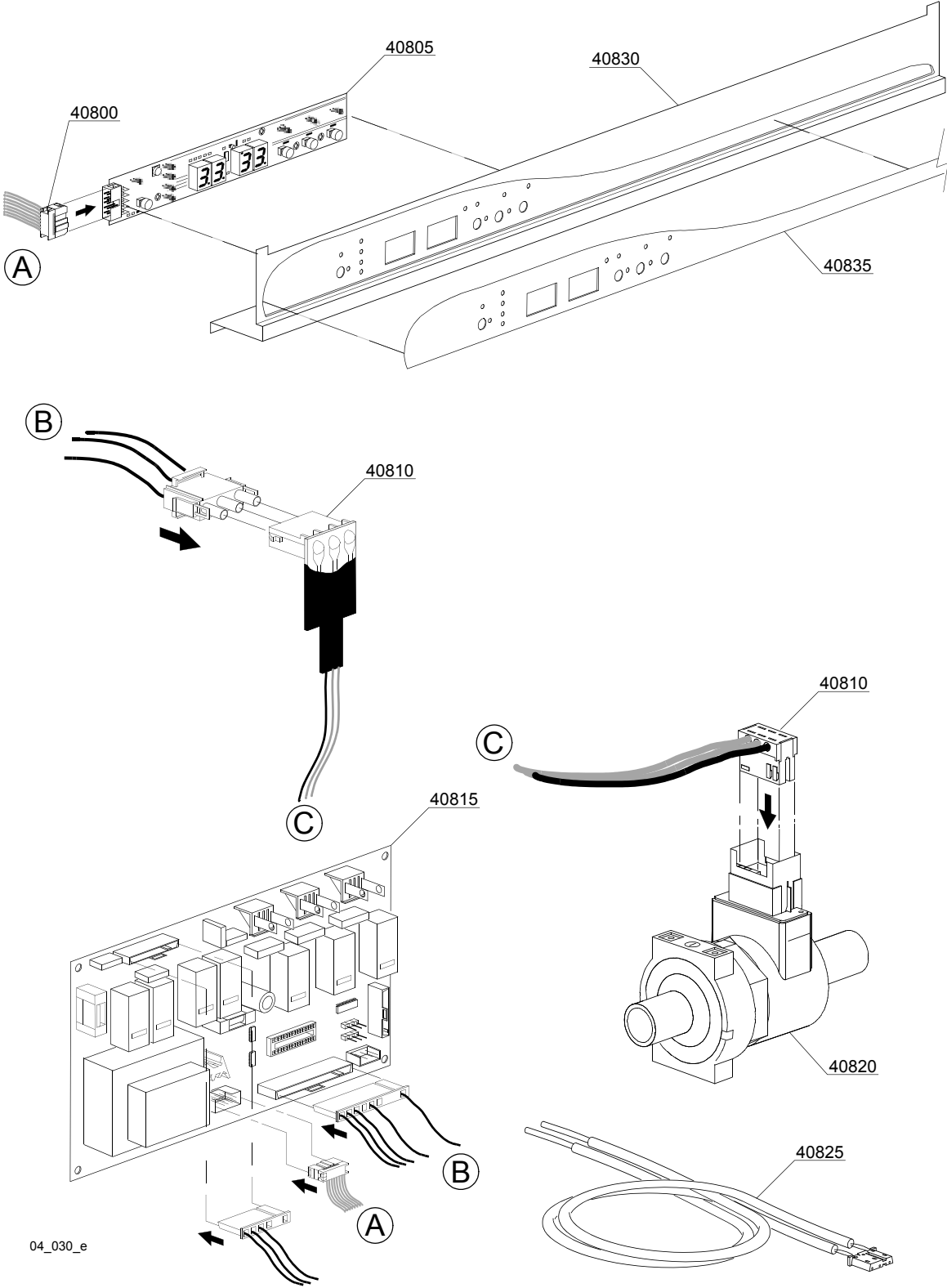
ID	P-code	Model	Type	Accessory	Voltage	Description
MODULE:Lockup system						
41100	550950		LUX85EL			Door
41105	10704		LUX85EL			Door microswitch
41110	550206/A		LUX85EL			Short spring door
41115	550212		LUX85EL			Long spring door
41120	10770		LUX85EL			Insulation for door microswitch
41125	550952		LUX85EL			Steel handle
41130	150221/A		LUX85EL			Door rod
41135	550908		LUX85EL			Right hinge door
41140	550909		LUX85EL			Left hinge door
41145	135222		LUX85EL			Hinge door seal
41150	550955		LUX85EL			Under door
41150	550956		LUX85EL			Under door
41150	550957		LUX85EL			Under door



04_008be

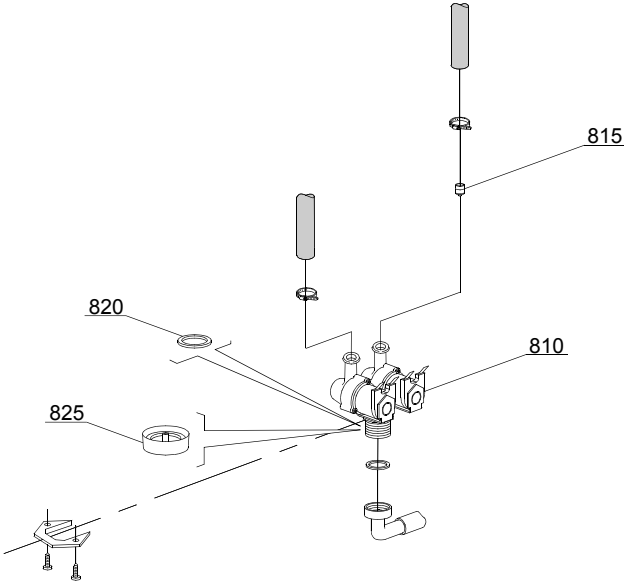
Spare parts

ID	P-code	Model	Type	Accessory	Voltage	Description
MODULE:Electric control components						
6300	10300123		LUX85EL		A	90/180"" timer
6300	22011		LUX85EL			120/240" timer with thermostop
6305	15149		LUX85EL			Low noise filter
6315	500551		LUX85EL			6 poles terminal board
6315	500550		LUX85EL			3 poles terminal board
6320	15086		LUX85EL			Contactora 230V 50/60Hz 4C
6320	15086/B		LUX85EL			Contactora 240V 50Hz
6335	550907		LUX85EL			Electric components panel
6340	2000430		LUX85EL			Safety thermostat
6345	15620		LUX85EL			Bipolar relay in deviation
6350	10300050		LUX85EL			25A/12A contactora - 230V 50/60HZ
6350	10300052		LUX85EL			36A/20A contactora - 230V 50/60HZ



Spare parts

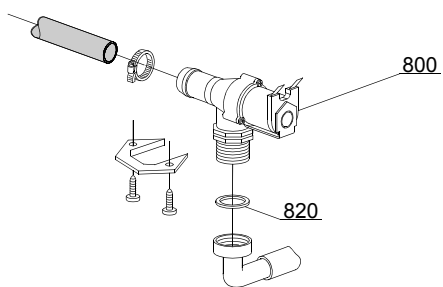
ID	P-code	Model	Type	Accessory	Voltage	Description
MODULE:Electric control ELEKTRO						
40800	50582		LUX85EL			"Elite""plug
40805	50581		LUX85EL			Touche sensitive "Elite"
40810	50584		LUX85EL			"Elite""water flow board
40815	50580		LUX85EL			"Elite"electronic timer+main board
40820	50583		LUX85EL			Water flow meter for "Elite""board
40825	50562		LUX85EL			Temperature probe set
40830	550954		LUX85EL			LUX 85 Control Panel
40835	560968		LUX85EL			Silkscreen processed grill LUX-85 EL



05_003_e

Spare parts

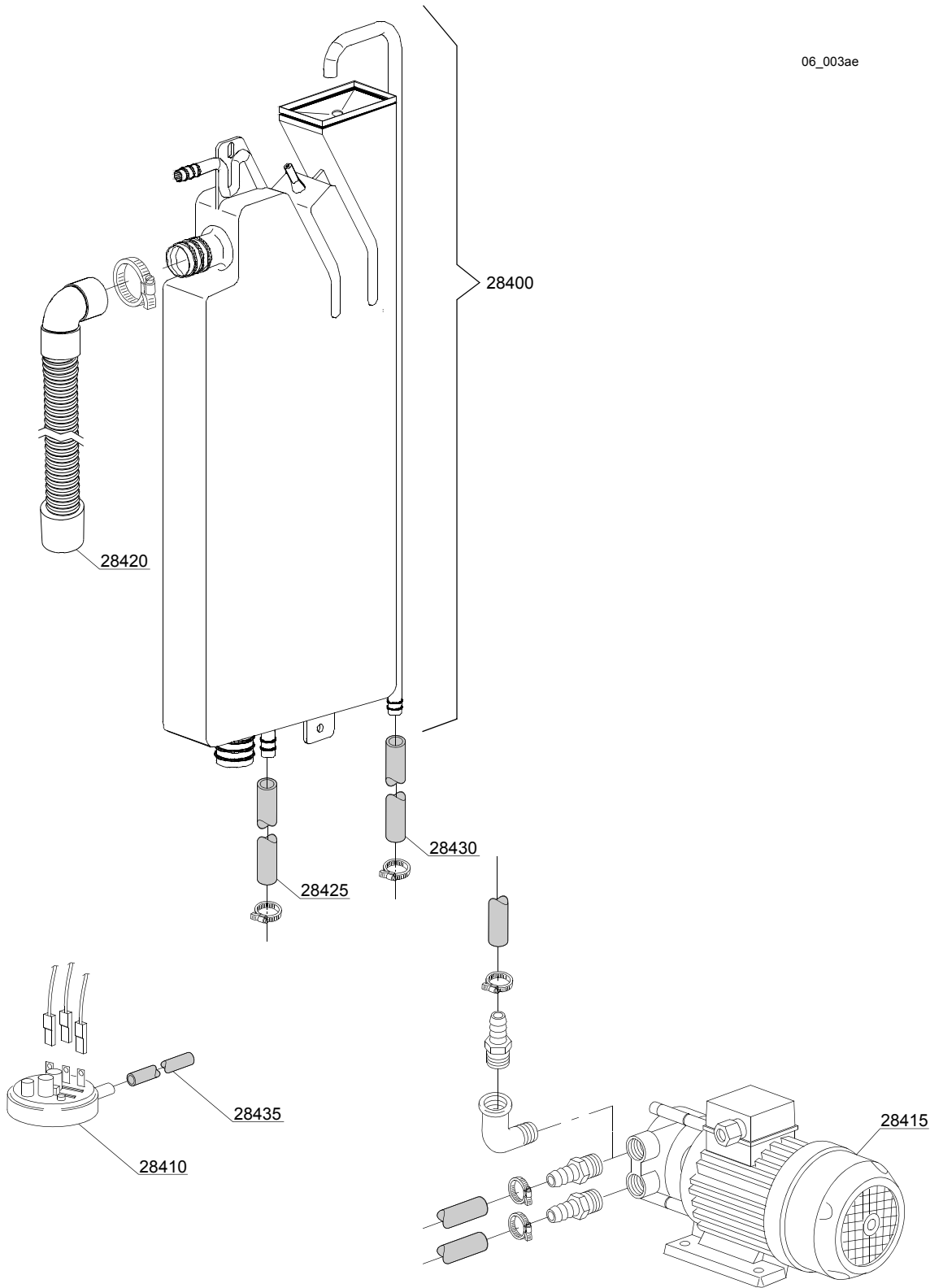
ID	P-code	Model	Type	Accessory	Voltage	Description
MODULE:Solenoid valve group						
810	15098		LUX85EL	cr,ws		Double solenoid valve - Ø10
815	15115		LUX85EL	cr,ws		Green pression solenoid valve
820	N.C.		LUX85EL	cr,ws		Pression reducing valve



05_005_e

Spare parts

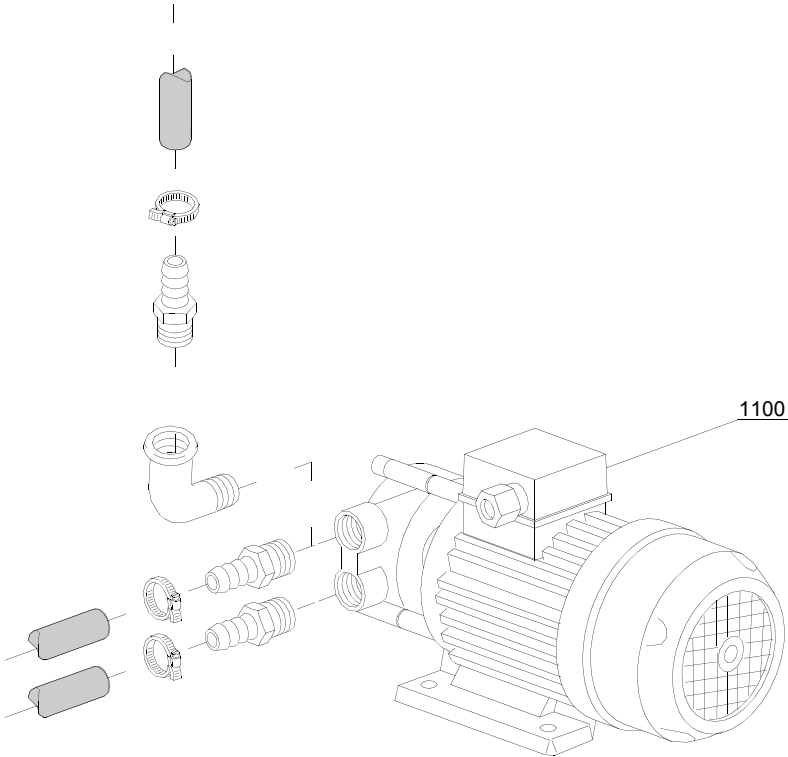
ID	P-code	Model	Type	Accessory	Voltage	Description
MODULE:Solenoid valve group						
800	30001000		LUX85EL			Single solenoid valve
820	N.C.		LUX85EL			Pression reducing valve



Spare parts

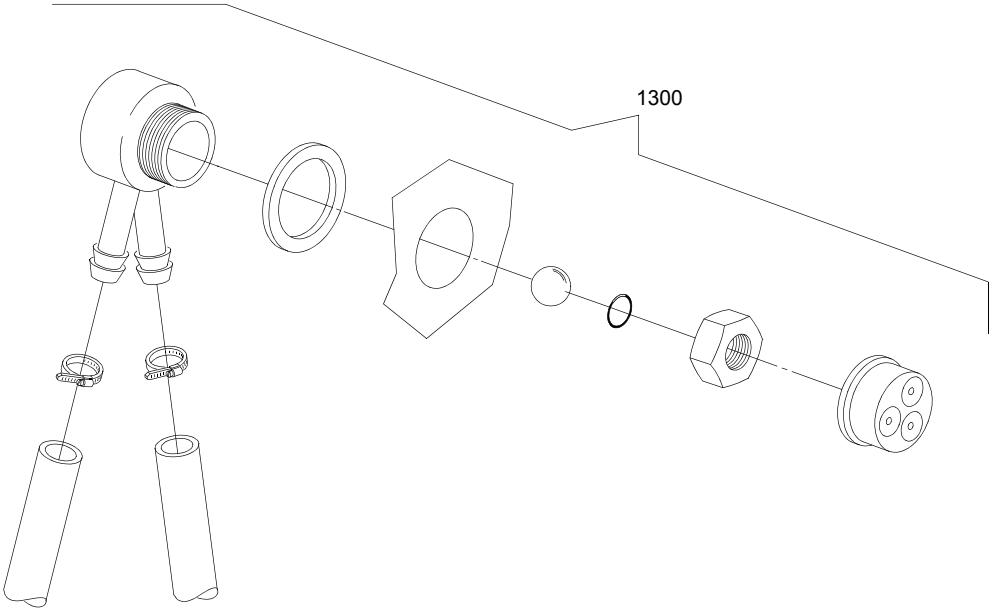
ID	P-code	Model	Type	Accessory	Voltage	Description
MODULE:Break Tank						
28400	15720		LUX85EL	bt		Break tank assembly
28410	10706/A		LUX85EL	bt		47-27 pressure switch
28415	15100		LUX85EL	bt		Booster pump 0,5HP 220/240V
28420	15721		LUX85EL	bt		BT long pipe L=1070
28420	15722		LUX85EL	bt		BT middle pipe L=920
28420	15723		LUX85EL	bt		BT small pipe L=920
28425	2907350		LUX85EL	bt		12x20 EPDM rubber hose
28430	2907352		LUX85EL	bt		PVC WRAS rubber hose
28435	14508		LUX85EL	bt		4,5x9 EPDM rubber hose

07_002_e



Spare parts

ID	P-code	Model	Type	Accessory	Voltage	Description
MODULE:Booster pump						
1100	15100		LUX85EL	bp		Booster pump 0,5HP 220/240V

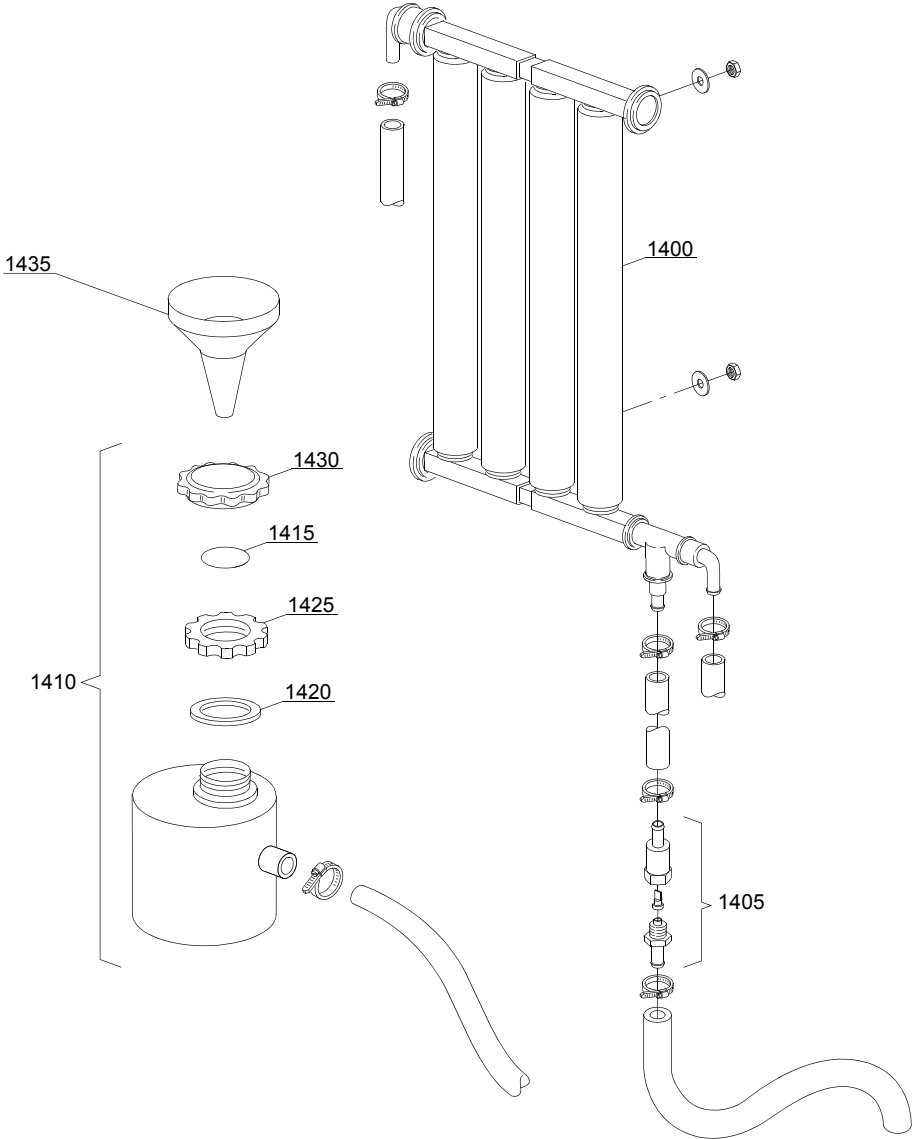


08_005_e

Spare parts

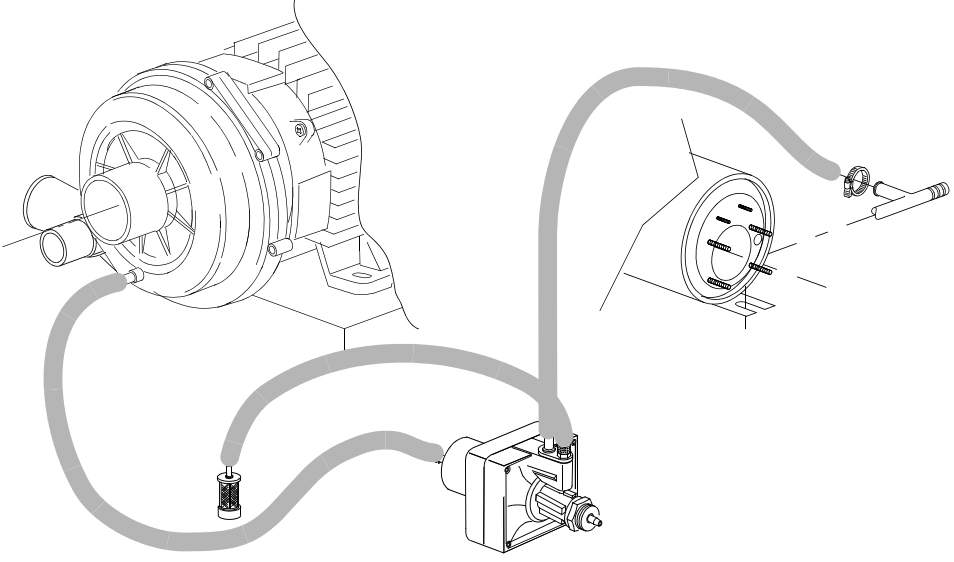
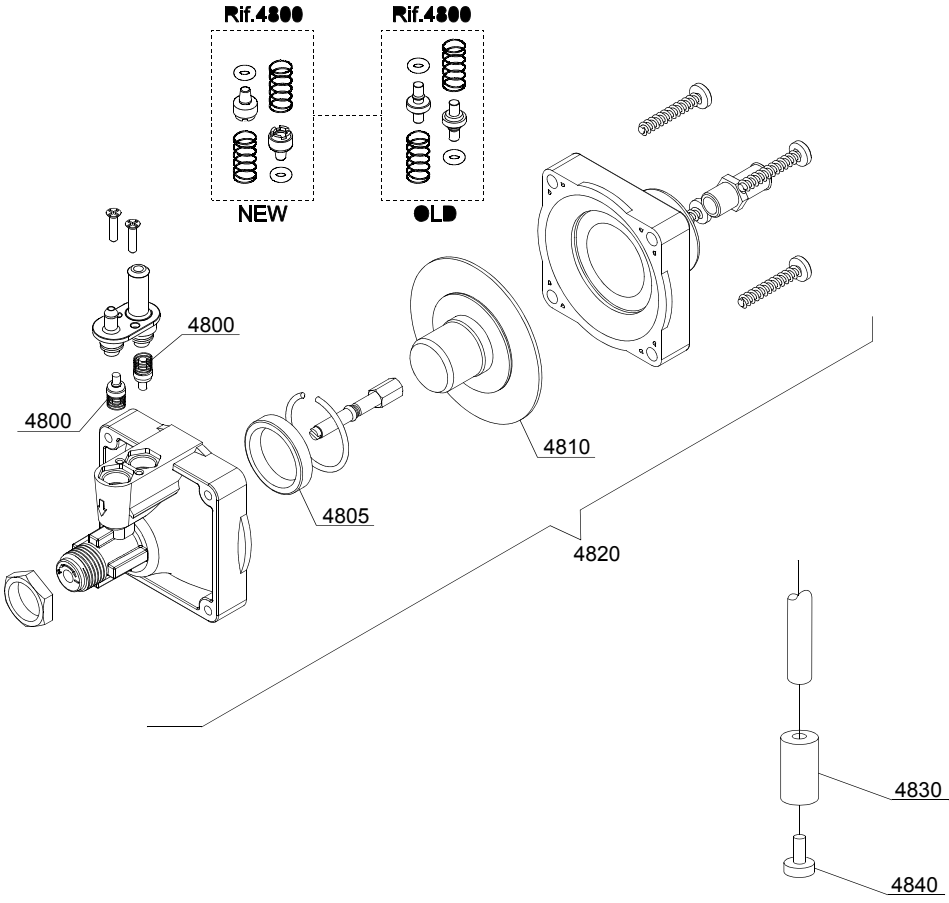
ID	P-code	Model	Type	Accessory	Voltage	Description
MODULE:DVGW						
1300	999900006		LUX85EL	dvgw		DVGW assembly

09_001_e



Spare parts

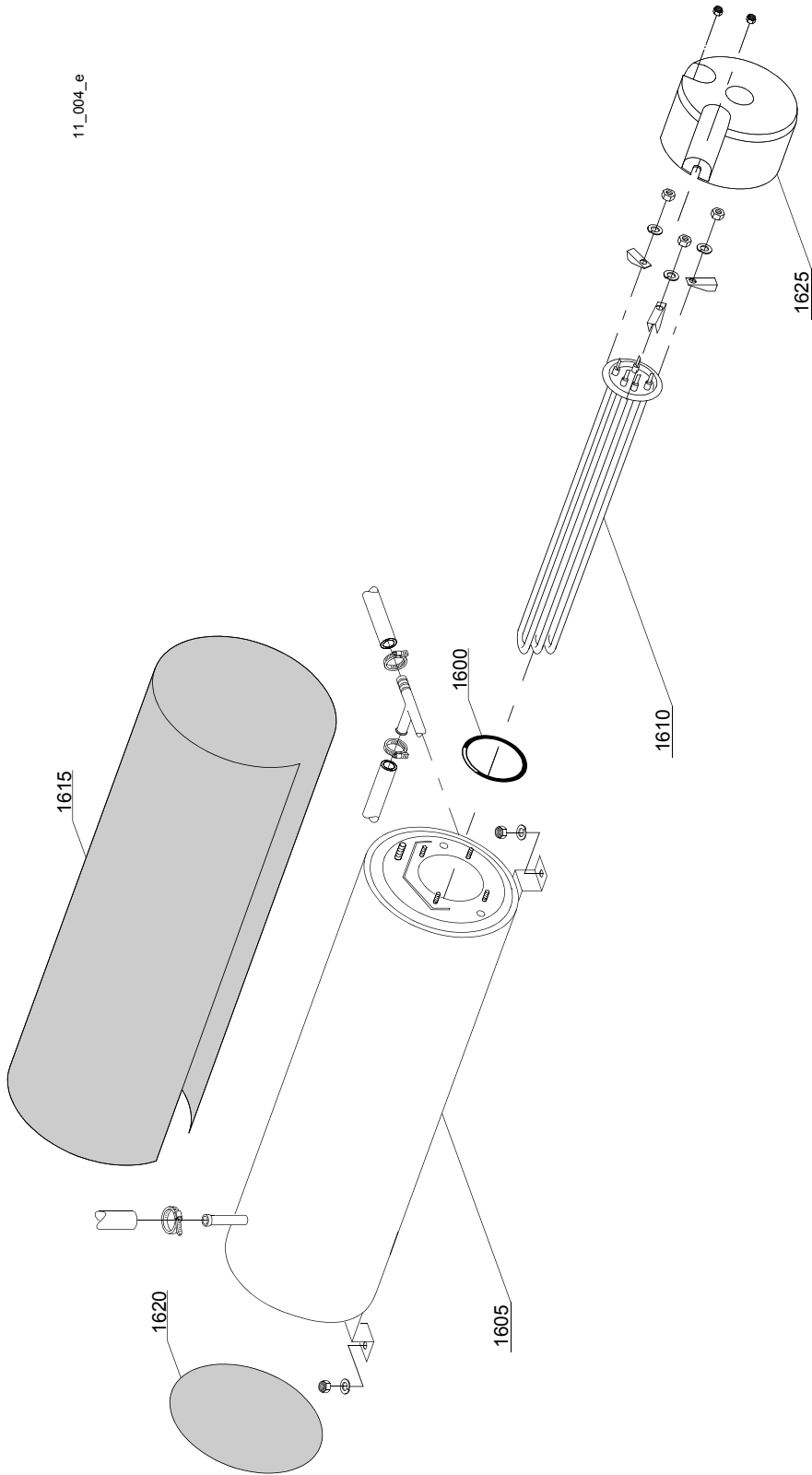
ID	P-code	Model	Type	Accessory	Voltage	Description
MODULE:Water softner group						
1400	16066		LUX85EL	ws		4 elements water softner
1405	16070		LUX85EL	ws		Nonreturn valve
1410	16065		LUX85EL	ws		Salt container
1415	16067/A		LUX85EL	ws		OR O-ring
1420	16067/B		LUX85EL	ws		O-ring
1425	16067/C		LUX85EL	ws		Ring nut
1430	16067/D		LUX85EL	ws		Plug
1435	16082		LUX85EL	ws		Funnel



10_004ae

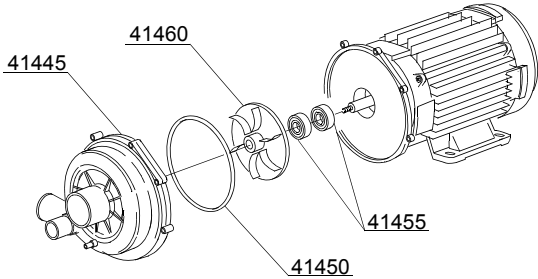
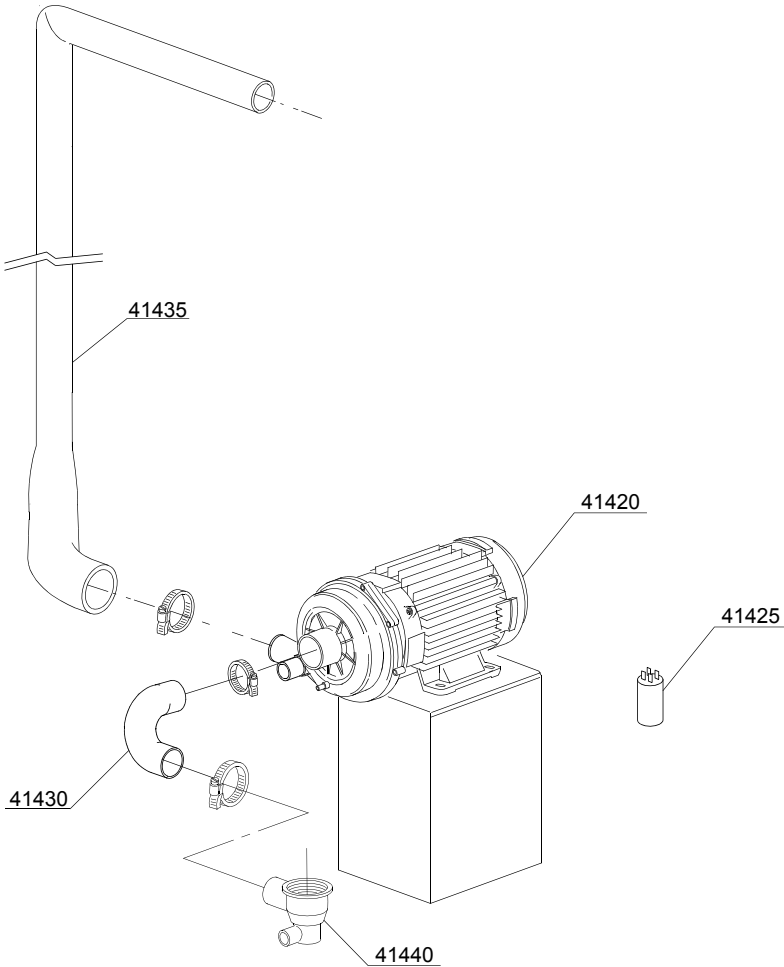
Spare parts

ID	P-code	Model	Type	Accessory	Voltage	Description
MODULE: Rinse aid dispenser group						
4800	10805		LUX85EL			Tecnopro non return valve
4805	10806		LUX85EL			Ø22 O-ring
4810	10807		LUX85EL			Membrane
4820	10799		LUX85EL			Rinse aid dispenser
4830	12525		LUX85EL			Counter-weight
4840	15058		LUX85EL			Small filter



Spare parts

ID	P-code	Model	Type	Accessory	Voltage	Description
MODULE:Boiler group						
1600	13015		LUX85EL			6225 OR 160 NBR O-ring
1605	22002		LUX85EL			Boiler
1610	30001010		LUX85EL			6/6,53KW 230/240/3 heating element
1610	30001011		LUX85EL			9/9,8KW 230/240/3 heating element
1615	30002030		LUX85EL			Insulation boiler
1620	75205		LUX85EL			Ø160 end piece
1625	75311		LUX85EL			Heating element cover

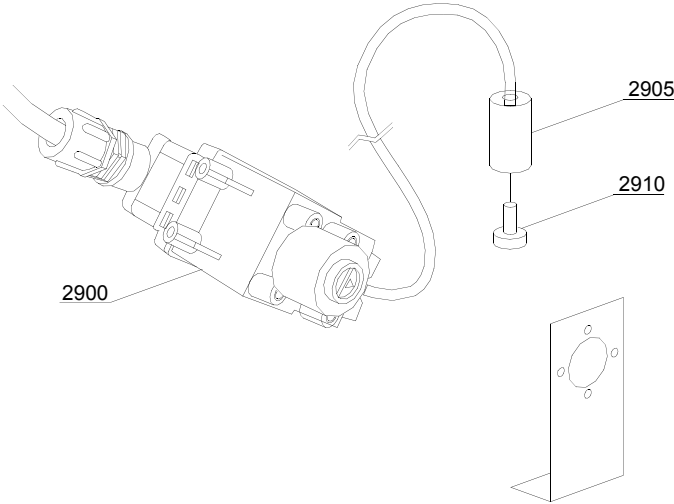
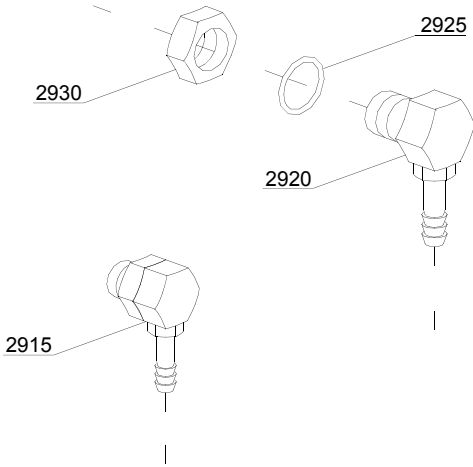


13_123_e

Spare parts

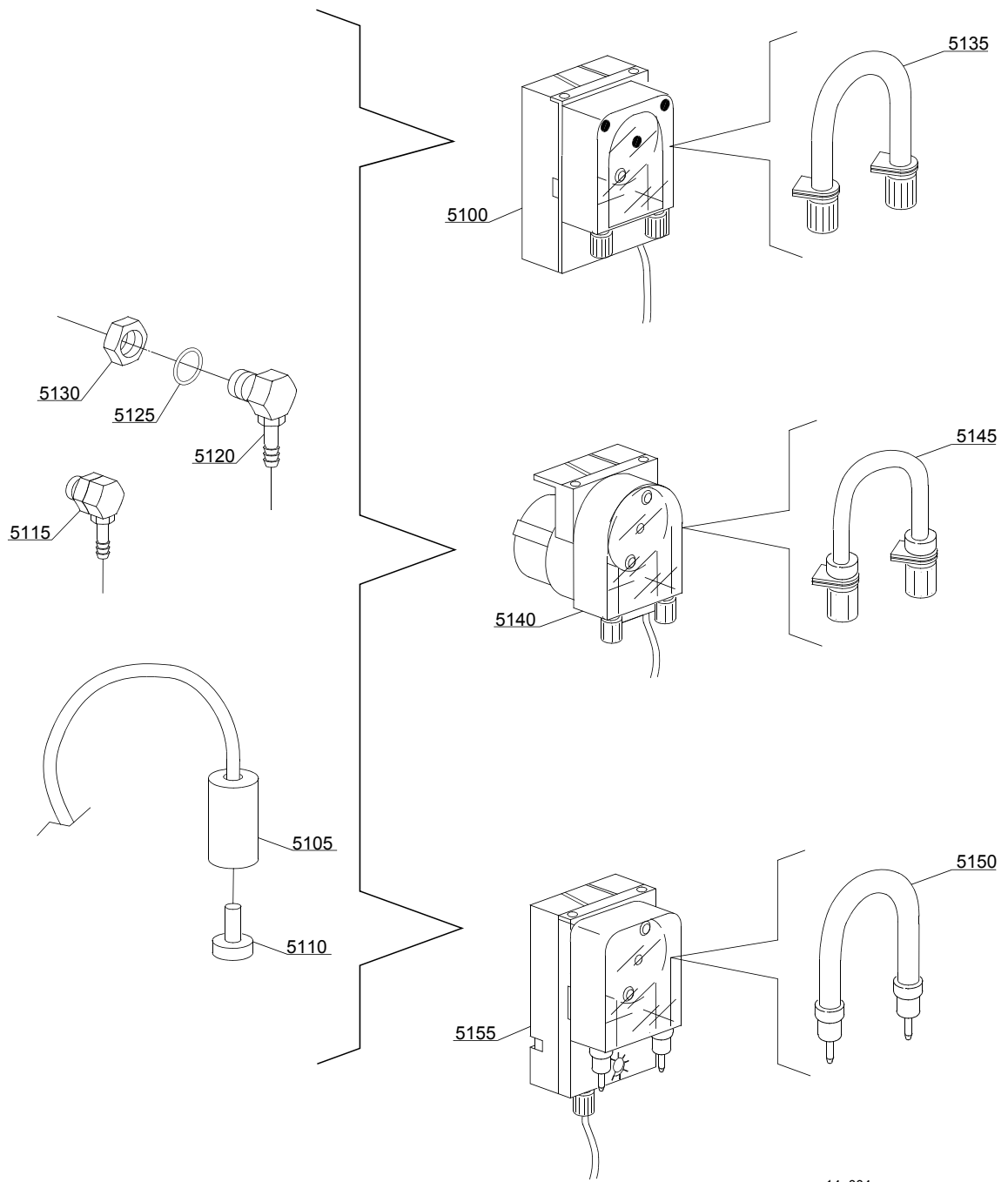
ID	P-code	Model	Type	Accessory	Voltage	Description
MODULE:Wash pump						
41420	22009		LUX85EL		A	1,5 Hp wash pump
41425	15081/A		LUX85EL		H	16 uF condenser
41430	550227		LUX85EL			Pump pipe coupling
41435	550228		LUX85EL			Top delivery pipe
41440	500603		LUX85EL			Scrap tray
41445	15078		LUX85EL			Scroll
41450	15080/A		LUX85EL			O-ring
41455	15080		LUX85EL			Rotating seals
41460	22009/A		LUX85EL			Pump rotor

14_002_e



Spare parts

ID	P-code	Model	Type	Accessory	Voltage	Description
MODULE:Dosing detergent group						
2900	15108/L		LUX85EL	dd		Lang detergent pump
2905	12525		LUX85EL	dd		Counter-weight
2910	15058		LUX85EL	dd		Small filter
2915	15123		LUX85EL	dd		Complet plastic injector
2920	15148		LUX85EL	dd		Steel injector
2925	15159		LUX85EL	dd		OR O-ring
2930	10200205		LUX85EL	dd		M12x1 stainless steel nut

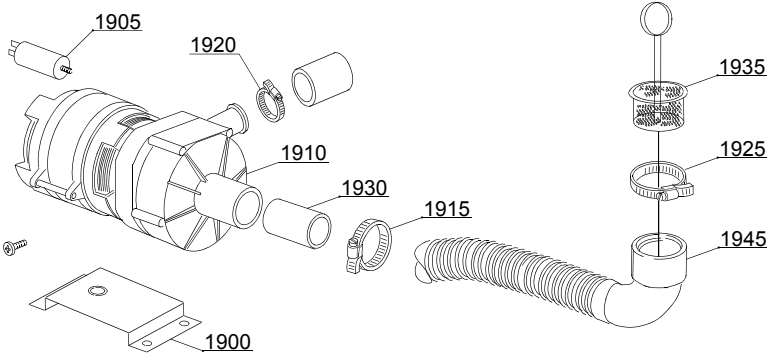


14_004_e

Spare parts

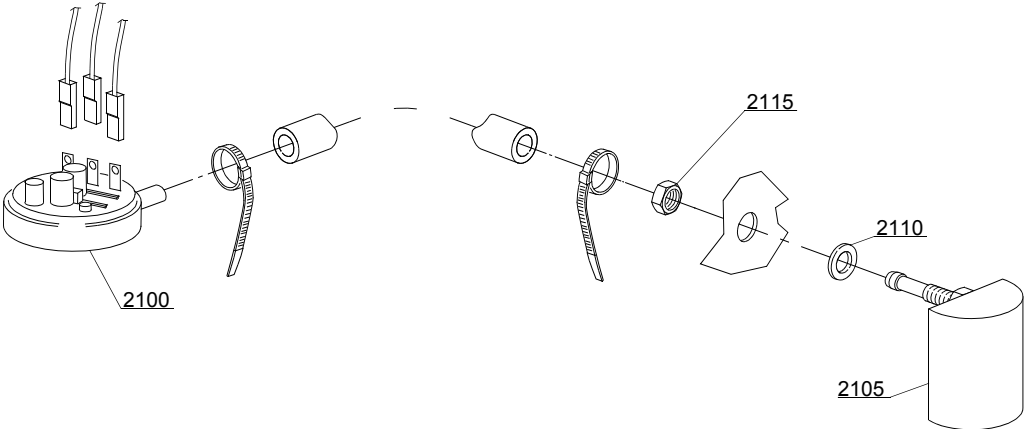
ID	P-code	Model	Type	Accessory	Voltage	Description
MODULE:Dosing detergent group						
5100	15985		LUX85EL	dd		Seko detergent pump
5105	12525		LUX85EL	dd		Counter-weight
5110	15058		LUX85EL	dd		Small filter
5115	15123		LUX85EL	dd		Compleat plastic injector
5120	15148		LUX85EL	dd		Steel injector
5125	15159		LUX85EL	dd		OR O-ring
5130	10200205		LUX85EL	dd		M12x1 stainless steel nut
5135	15185		LUX85EL	dd		Seko thermoplastic pipe
5140	15985		LUX85EL	dd		Germac detergent pump
5145	15108/E		LUX85EL	dd		Germac thermoplastic pipe
5150	15985/A		LUX85EL	dd		PLAS CONT detergent pump
5155	15985		LUX85EL	dd		PLAS CONT thermoplastic pipe

15_003_e



Spare parts

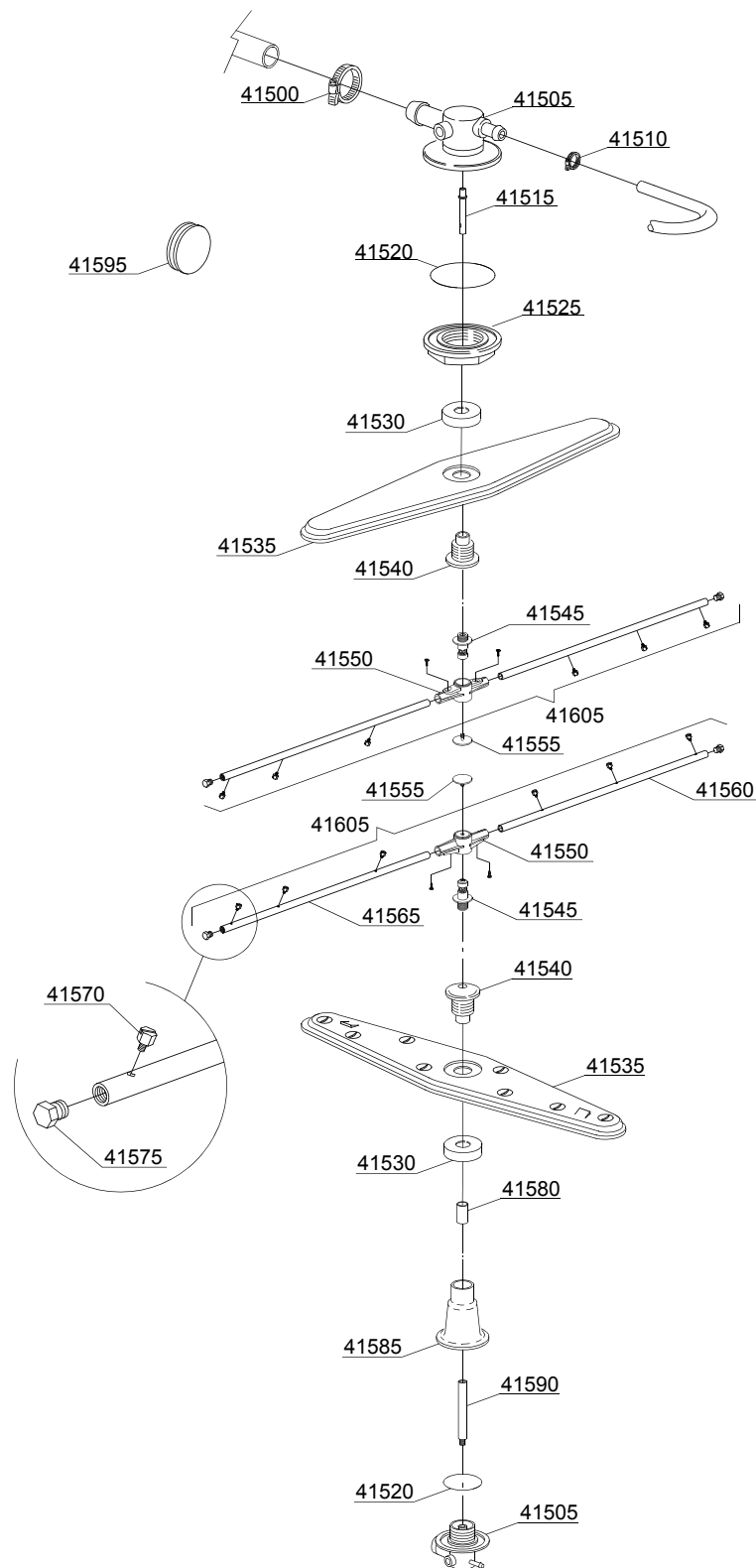
ID	P-code	Model	Type	Accessory	Voltage	Description
MODULE:Drain pump group						
1900	440122		LUX85EL	dp		Pump support
1905	10702		LUX85EL	dp		5 uF condenser
1910	10501/A		LUX85EL	dp		190W 230V drain pump
1915	11806		LUX85EL	dp		25/40 clamp
1920	11836		LUX85EL	dp		20/32 clamp
1925	11809		LUX85EL	dp		30/45 clamp
1930	15131		LUX85EL	dp		Suction pipe
1945	18767		LUX85EL	dp		Drain coude/pump connection pipe



16_001_e

Spare parts

ID	P-code	Model	Type	Accessory	Voltage	Description
MODULE:Pressure switch group with air trap						
2100	10300026		LUX85EL			76-38 pressure switch
2105	10911/C		LUX85EL			Air trap assembly
2110	13301		LUX85EL			O-ring
2115	11702		LUX85EL			M8 stainless steel nut



17_127_e

Spare parts

ID	P-code	Model	Type	Accessory	Voltage	Description
MODULE:Turret group with rotating arms						
41500	11806		LUX85EL			25/40 clamp
41505	500612		LUX85EL			Top/lower turret
41510	11807		LUX85EL			12/22 clamp
41515	75315		LUX85EL			Rinse axle extension
41520	13015		LUX85EL			6225 OR 160 NBR O-ring
41525	500610		LUX85EL			Ring nut for fixing turret
41530	75317		LUX85EL			Nut for wash arm bearing
41535	75915		LUX85EL			Stainless steel wash rotor
41540	75316		LUX85EL			Hub for rotor
41545	10651		LUX85EL			Rinse axle
41550	10650		LUX85EL			Rinse arm
41555	10652		LUX85EL			Rinse arm screw
41560	10657		LUX85EL			Right rinse arm - stainless steel nozzle
41565	10658		LUX85EL			Left rinse arm - stainless steel nozzle
41570	560018		LUX85EL			Stainless steel rinse nozzle
41575	560017		LUX85EL			Rinse arm plug
41580	550220		LUX85EL			Hub rotor/pipe coupling spacer
41585	550223		LUX85EL			Lower pipe coupling
41590	550219		LUX85EL			Rinse lower distributor connection axle
41595	13316/A		LUX85EL			DVGW hole O-ring
41605	75918		LUX85EL			Top lower rinse arm complete