

Dois modelos vocacionados, respectivamente para:

- Sobremesas (1)
- Peixes e mariscos (2)

Convecção natural de ar e compressor incorporado.

Two models designed, respectively for

- Desserts (1)
- Sea food (2)

Natural convection system and built-in compressor unit.

Deux modèles, respectivement pour:

- Desserts (1)
- Fruits de mer (2)

Convection naturelle de l'air et groupe compresseur incorporé.

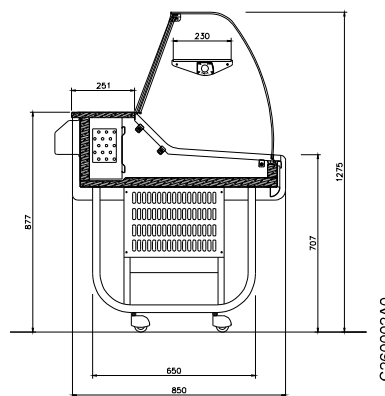
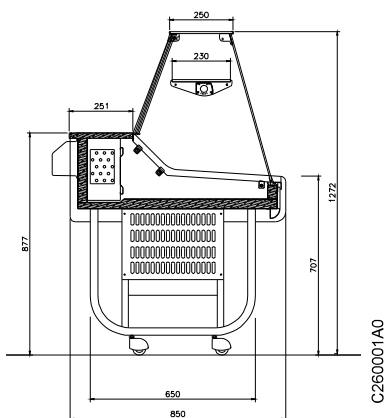
Zwei modelle geeignet für:

- Dessert (1)
- Fisch / Meeresfrüchte (2)

Ohne Belüftung. Kühlshrank integriert.

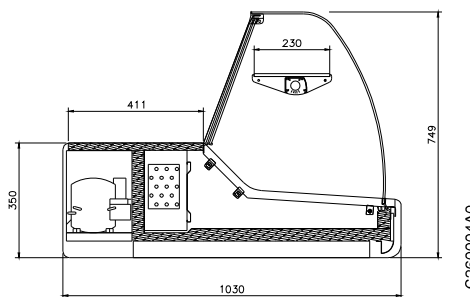
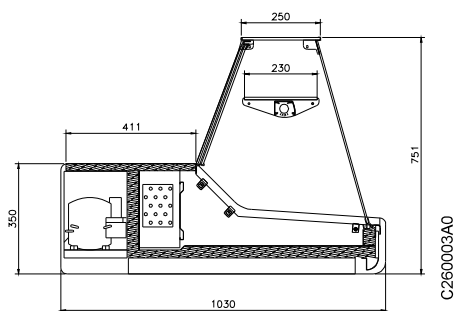
**(1) Versão "Self sobremesa"**

**(1) Version "For desserts"**



Com base / with base	
CÓD. Code	DESIGNAÇÃO Designation
926000300	V SELF SOBREMESA 1050 CB-VPR
926000800	V SELF SOBREMESA 1300 CB-VPR
926001400	V SELF SOBREMESA 1510 CB-VPR

Com base / with base	
CÓD. Code	DESIGNAÇÃO Designation
926002000	V SELF SOBREMESA 1050 CB-VCR
926002600	V SELF SOBREMESA 1300 CB-VCR
926003100	V SELF SOBREMESA 1510 CB-VCR



Com base / with out base	
CÓD. Code	DESIGNAÇÃO Designation
926000200	V SELF SOBREMESA 1050 SB-VPR
926000700	V SELF SOBREMESA 1300 SB-VPR
926001300	V SELF SOBREMESA 1510 SB-VPR

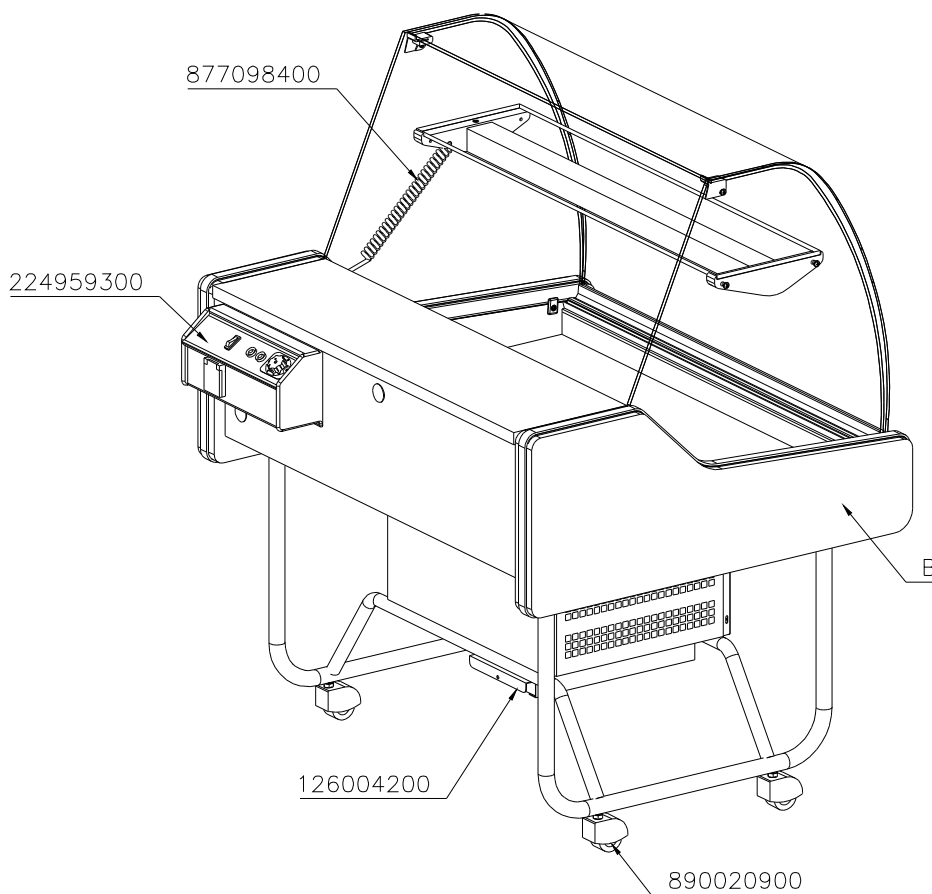
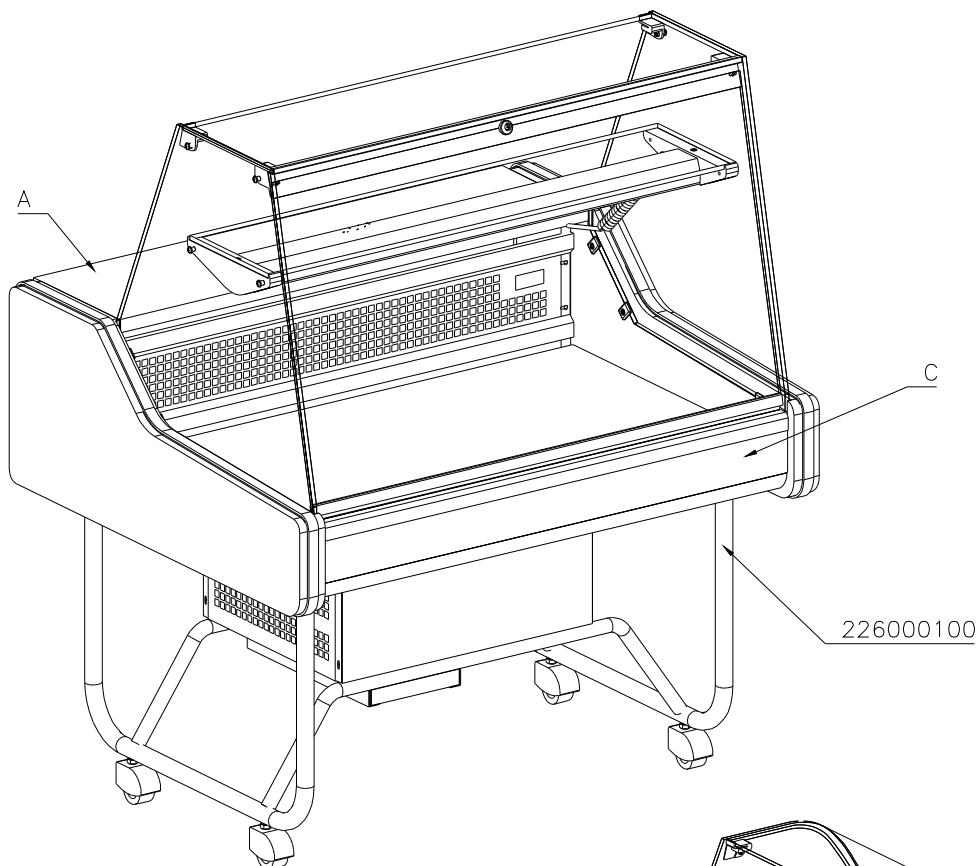
Com base / with out base	
CÓD. Code	DESIGNAÇÃO Designation
926001900	V SELF SOBREMESA 1050 SB-VCR
926002500	V SELF SOBREMESA 1300 SB-VCR
926003000	V SELF SOBREMESA 1510 SB-VCR

Dimensões em mm / Dimensions in mm / Dimensions in mm / Abmessungen in

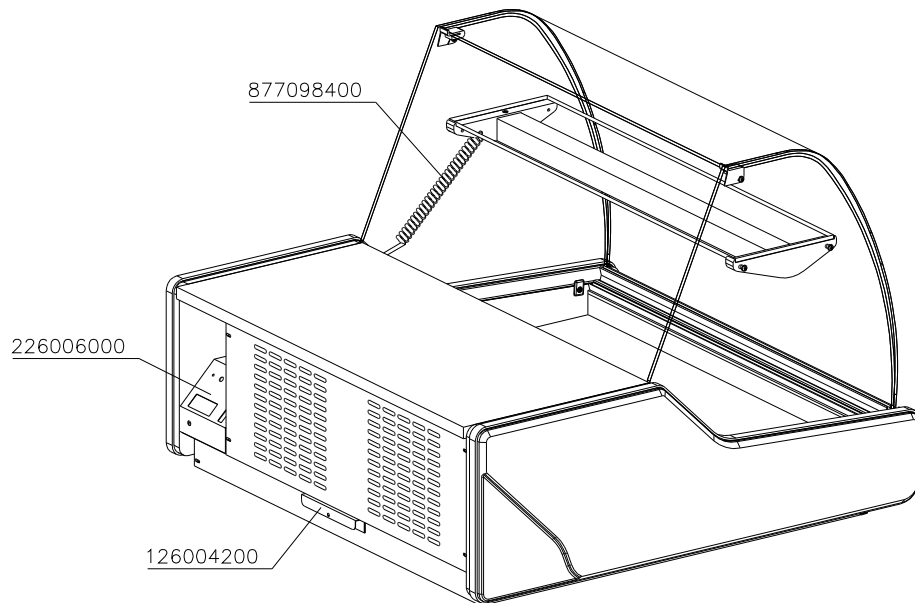
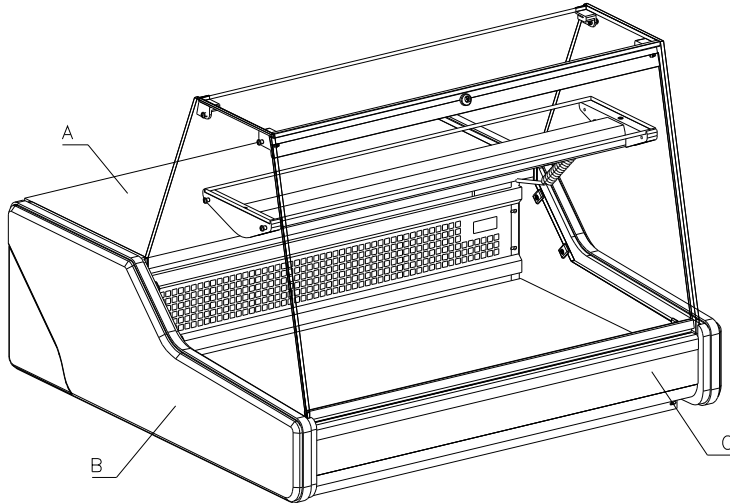
Dado o carácter dinâmico dos processos, a Mafrol reserva o direito de alterar o conteúdo deste documento sem aviso prévio. Subject to change without notice.

Elements Remplaçables  
Austauschbare Teile

Sobremesa / Desserts / Dessert



Dado o carácter dinâmico dos processos, a Mafrol reserva o direito de alterar o conteúdo deste documento sem aviso prévio. Subject to change without notice.



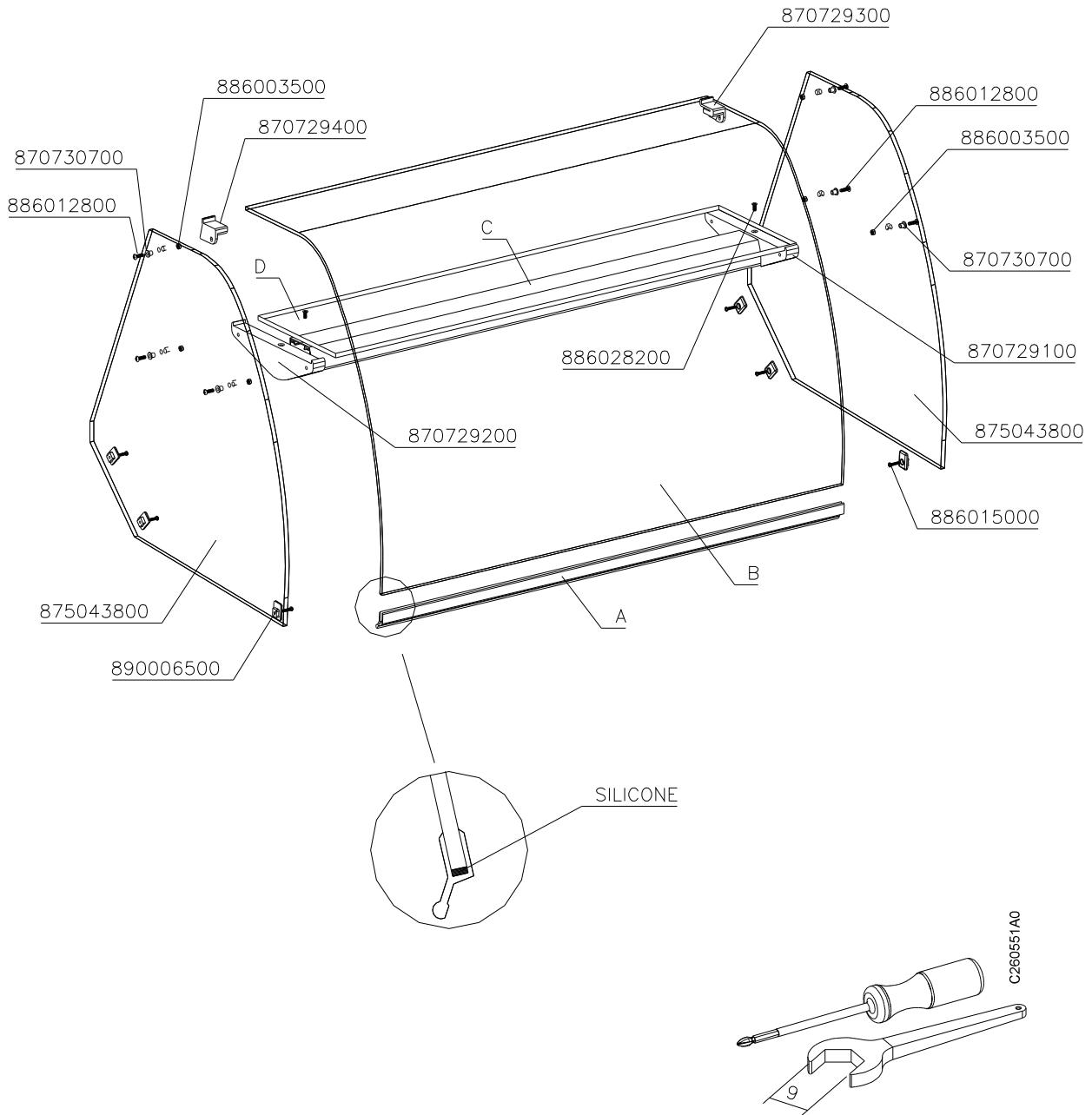
C260402A1

Dado o carácter dinâmico dos processos, a Mafirof reserva o direito de alterar o conteúdo deste documento sem aviso prévio. Subject to change without notice.

COD/KODE	DESIGNAÇÃO	DESIGNATION	DENOMINATION	BEZEICHNUNG
875307400(A)	TAMPO MÁRMORE 960X435X30	MARBLE PLATE	TABLETTE DE SERVICE EN MARBRE	DECKEL NORMAL MARMOR
875307500(A)	TAMPO MÁRMORE 1210X435X30	MARBLE PLATE	TABLETTE DE SERVICE EN MARBRE	DECKEL NORMAL MARMOR
875307600(A)	TAMPO MÁRMORE 1420X435X30	MARBLE PLATE	TABLETTE DE SERVICE EN MARBRE	DECKEL NORMAL MARMOR
226004000(B)	LAT. DIR. CZ. MURETE	GREY RIGHT LATERAL	LATERAL DROITE CHASSIS	SEITE GRAU RECHTS
226004100(B)	LAT. ESQ. CZ. MURETE	GREY LEFT LATERAL	LATERAL GAUCHE CHASSIS	SEITE GRAU LINKS
126015500(C)	VISTA FR. AZUL RAL 5018 960	BLUE FRONT VIEW	VUE FRONTALE BLEU	VORDERANSICHT BLAU
126016500(C)	VISTA FR. AZUL RAL 5018 1210	BLUE FRONT VIEW	VUE FRONTALE BLEU	VORDERANSICHT BLAU
126017500(C)	VISTA FR. AZUL RAL 5018 1420	BLUE FRONT VIEW	VUE FRONTALE BLEU	VORDERANSICHT BLAU
226006000	CX COMANDO STD MURETE	STANDARD COMMAND BOX	CAISSE DE COMMANDEMENT STD	BEDIENPULT
126004200	GAV. DE ESGOTO 352X182 CZ	DRAINAGE DRAWER GREY	TIROIR POUR L'EGOUT GRIS	LADE GRAU FÜR ABLAUF
877098400	EXTENSÃO BRANCA	WHITE EXTENSION	EXTENSION BLANCHE	VERLÄNGERUNGSKABEL

**Assembly Scheme – Curved Glass**  
**Schema d'assemblage – Vitres Bombées**  
**Aufbauschemas – Gebogenes Glas**

**Sobremesa, Desserts, Dessert**



Dado o carácter dinâmico dos processos, a Mafirof reserva o direito de alterar o conteúdo deste documento sem aviso prévio. Subject to change without notice.

Dado o carácter dinâmico dos processos, a Mafrol reserva o direito de alterar o conteúdo deste documento sem aviso prévio. Subject to change without notice.

## Esquema de Montagem Assembly Scheme

## Self Sobremesa VC

M2EX005A2

COD/KODE	DESIGNAÇÃO	DESIGNATION	DENOMINATION	1000	1300	1500
124912800(A)	PERFIL AL AMOVIVEL FR VID 1419	FRONT GLASS MOVABLE ALUMINIUM PROFILE	PROFIL D'ALUMINIUM AMOVIBLE VITRE FRONTALE			X
124912900(A)	PERFIL AL AMOVIVEL FR VID 959	FRONT GLASS MOVABLE ALUMINIUM PROFILE	PROFIL D'ALUMINIUM AMOVIBLE VITRE FRONTALE	X		
124913000(A)	PERFIL AL AMOVIVEL FR VID 1209	FRONT GLASS MOVABLE ALUMINIUM PROFILE	PROFIL D'ALUMINIUM AMOVIBLE VITRE FRONTALE		X	
875040900(B)	FRENTE VIDRO CURVO 958X837X6	FRONT GLASS	VITRE FRONTALE	X		
875041000(B)	FRENTE VIDRO CURVO 1208X837X6	FRONT GLASS	VITRE FRONTALE		X	
875041100(B)	FRENTE VIDRO CURVO 1417X837X6	FRONT GLASS	VITRE FRONTALE			X
224959900(C)	GAMB AL NAT 952	ALUMINIUM LAMP SUPPORT NATURAL COLOUR	SUPPORT LUMINAIRE ALUMINIUM NAT.	X		
224960000(C)	GAMB AL NAT 1202	ALUMINIUM LAMP SUPPORT NATURAL COLOUR	SUPPORT LUMINAIRE ALUMINIUM NAT.		X	
224960100(C)	GAMB AL NAT 1412	ALUMINIUM LAMP SUPPORT NATURAL COLOUR	SUPPORT LUMINAIRE ALUMINIUM NAT.			X
875082300(D)	PRATEL. VIDRO 958X230X8	GLASS SHELF	ETAGERE EN VITRE	X		
875082400(D)	PRATEL. VIDRO 1208X230X8	GLASS SHELF	ETAGERE EN VITRE		X	
875082500(D)	PRATEL. VIDRO 1418X230X8	GLASS SHELF	ETAGERE EN VITRE			X
890006500	ENCOSTO PLAST CINZ. P/ VID COD. PP261	GREY PLASTIC SUPPORT FOR GLASS	APPUI PLASTIQUE GRIS POUR VITRE	X	X	X
875043800	LAT VIDRO 586X582X8 ( 3 FUIROS )	SIDE GLASS	LATERAL EN VERRE	X	X	X
886012800	PARAF CAB MEN M5X17 INOX A2	STAINLESS STEEL SCREW	VIS DIN INOXYDABLE	X	X	X
870730700	CASQUILHO DE PLAST	PLASTIC BUSH	DOUILLE PLASTIQUE	X	X	X
886003500	PORCA DIN 934 M5 INOX A2	STAINLESS STEEL NUT DIN 934 M5	ECROU DIN 934 M5 INOXYDABLE A2	X	X	X
870729400	SUP PLAST 45.7X38X25 CINZA (DIR)	GREY PLASTIC SUPPORT (RIGHT)	SUPPORT PLASTIQUE GRIS (DROITE)	X	X	X
870729200	SUP PLAST 242X63 CINZA (DIR)	GREY PLASTIC SUPPORT (RIGHT)	SUPPORT PLASTIQUE GRIS (DROITE)	X	X	X
886028200	PARAF DIN 965 M5X12 ZN	SCREW DIN 965 M5X12 ZINC	VIS DIN 965 M5X12 ZINGUÉ		X	X
870729300	SUP PLAST 45.7X38X25 CINZA (ESQ)	GREY PLASTIC SUPPORT (LEFT)	SUPPORT PLASTIQUE GRIS (GAUCHE)		X	X
870729100	SUP PLAST 242X63 CINZA (ESQ)	GREY PLASTIC SUPPORT (LEFT)	SUPPORT PLASTIQUE GRIS (GAUCHE)		X	X
886015000	PARAF DIN 7981 3/4X8 INOX A2	STAINLESS STEEL SCREW	VIS DIN INOXYDABLE		X	X

SELF & SELF\_PEIXE

<b>SELF Dessert</b>	<b>1050 CB</b>	<b>1300 CB</b>	<b>1510 CB</b>	<b>1050 SB</b>	<b>1300 SB</b>	<b>1510 SB</b>
1x Compressor	8802180	8802167	8802167	8802180	8802167	8802167
1x Dryer	8804098	8804098	8804098	8804098	8804098	8804098
1x Evaporator	8802541	8802542	8802543	8802541	8802542	8802543
1x Condenser	8802311	8802302	8802302	8802311	8802302	8802302
1x fan of the condenser	8801021	8801021	8801021	8801021	8801021	8801021
1x motor for fan of condensor	8801003	8801003	8801003	8801012	8801012	8801012
1x balastr	8770002	8770003	8770005	8770002	8770003	8770005
1x switch	8770202	8770202	8770202	8770202	8770202	8770202
1x Drain collector	1260042	1260042	1260042	1260042	1260042	1260042
1x Microprocessor	8803105	8803105	8803105	8803105	8803105	8803105

<b>SELF Fish</b>	<b>1050 CB</b>	<b>1300 CB</b>	<b>1510 CB</b>	<b>1050 SB</b>	<b>1300 SB</b>	<b>1510 SB</b>
1x Compressor	8802180	8802167	8802167	8802180	8802167	8802167
1x Dryer	8804098	8804098	8804098	8804098	8804098	8804098
1x Evaporator	<b>Cold plate</b>	<b>Cold plate</b>	<b>Cold plate</b>	<b>Cold plate</b>	<b>Cold plate</b>	<b>Cold plate</b>
1x Condenser	8802311	8802302	8802302	8802311	8802302	8802302
1x fan of the condenser	8801021	8801021	8801021	8801021	8801021	8801021
1x motor for fan of condensor	8801003	8801003	8801003	8801012	8801012	8801012
1x balastr	8770002	8770003	8770005	8770002	8770003	8770005
1x switch	8770202	8770202	8770202	8770202	8770202	8770202
1x Drain collector	1260042	1260042	1260042	1260042	1260042	1260042
1x Microprocessor	8803105	8803105	8803105	8803105	8803105	8803105

**CB = With base and castors**

**SB = Without base and castors**