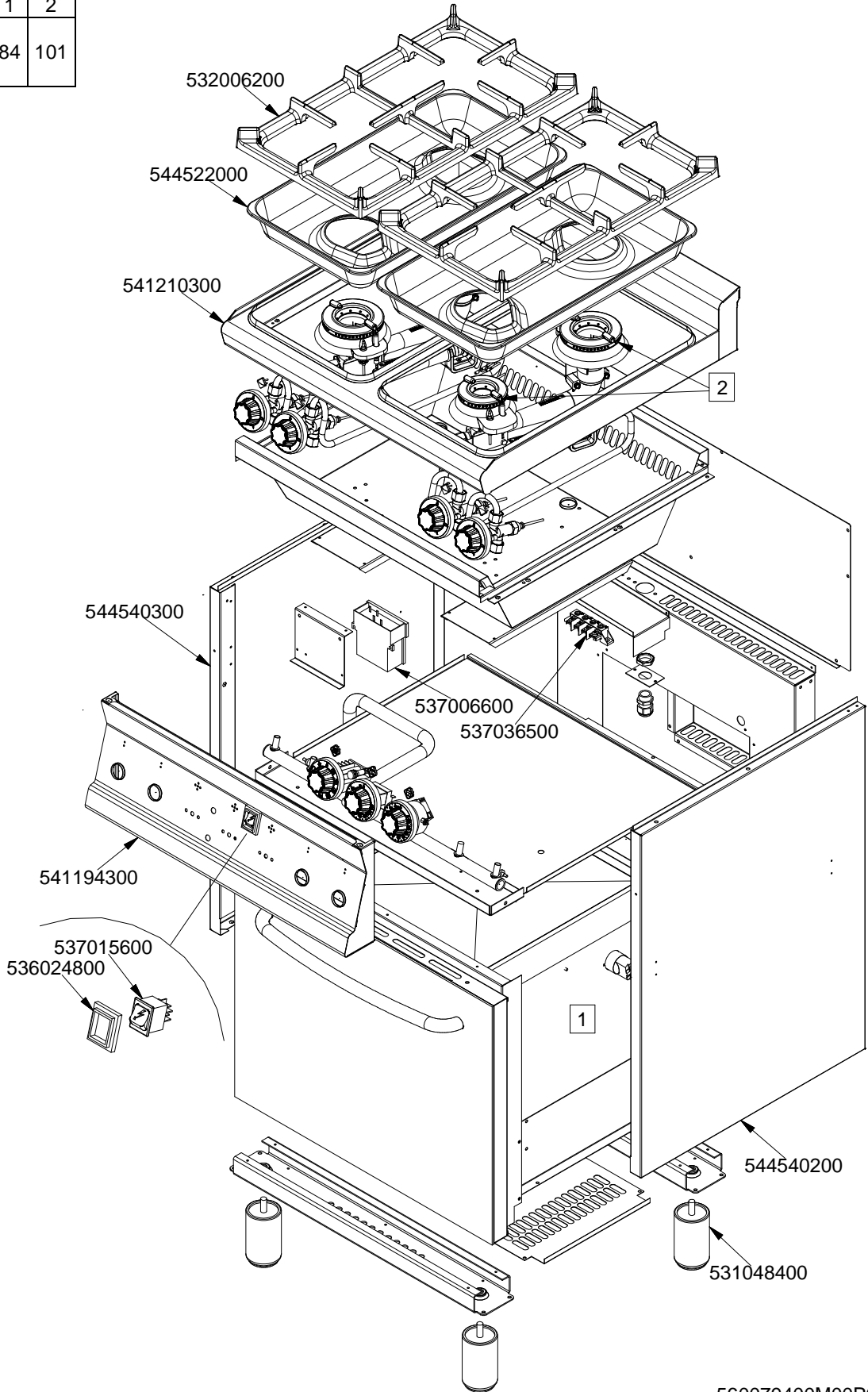


MAGICLOTUS 60

CUCINE / RANGES / HERDE / CUISINIÈRES

CFM4-66GEM

	1	2
Vedi Pagina See Page Siehe Seite Voir Page Ver Pàgina	84	101



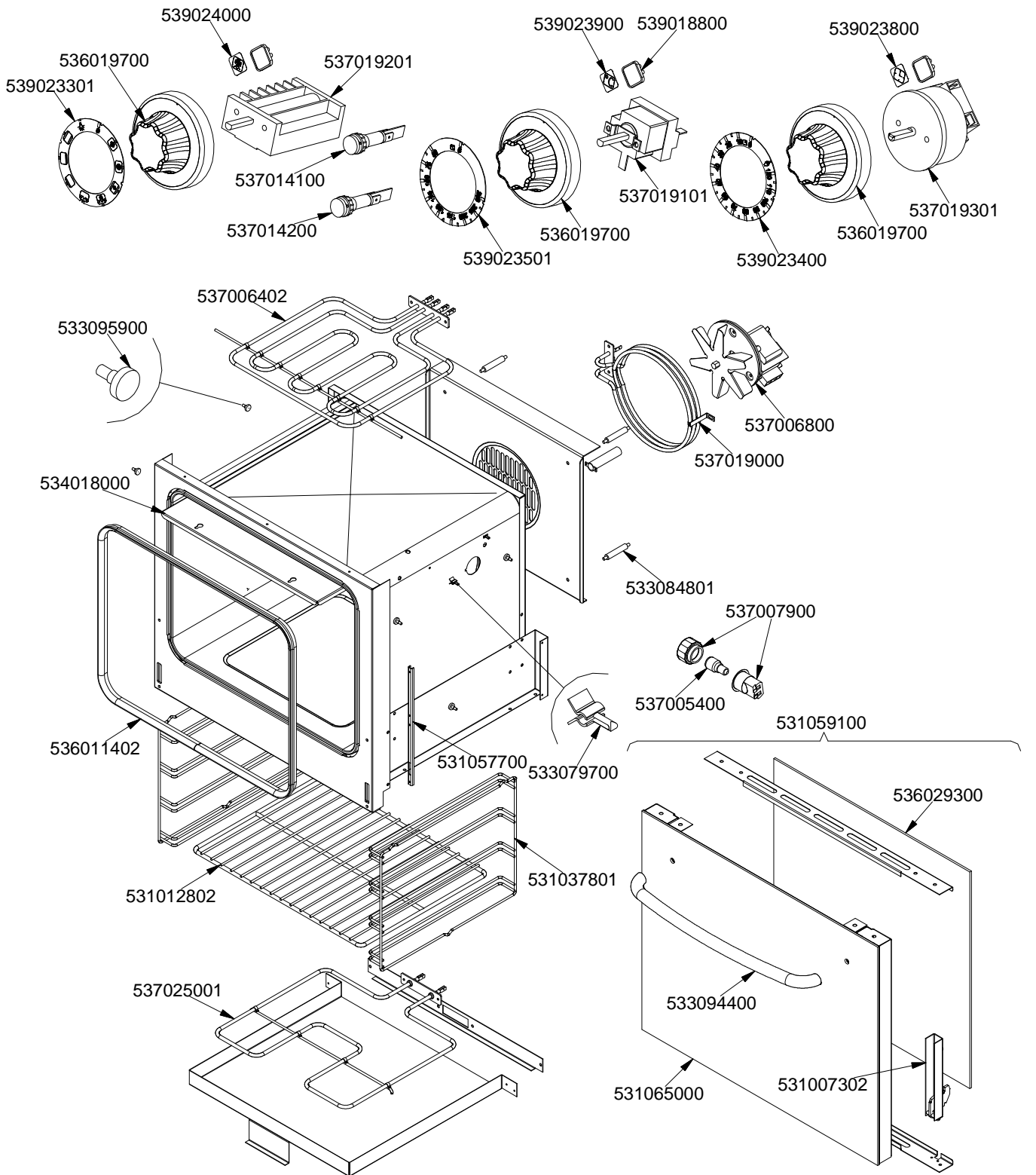
560079400M00P00

MAGICLOTUS 60

CUCINE / RANGES / HERDE / CUISINIÈRES

FORNO / OVEN / BACKOFEN / FOUR / CF...-66

ELETTRICO MULTIFUNZIONE / MULTIFUNCTION ELECTRIC / MULTIFUNKTIONS
ELEKTRO / ELECTRIQUE A FONCTIONS MULTIPLES



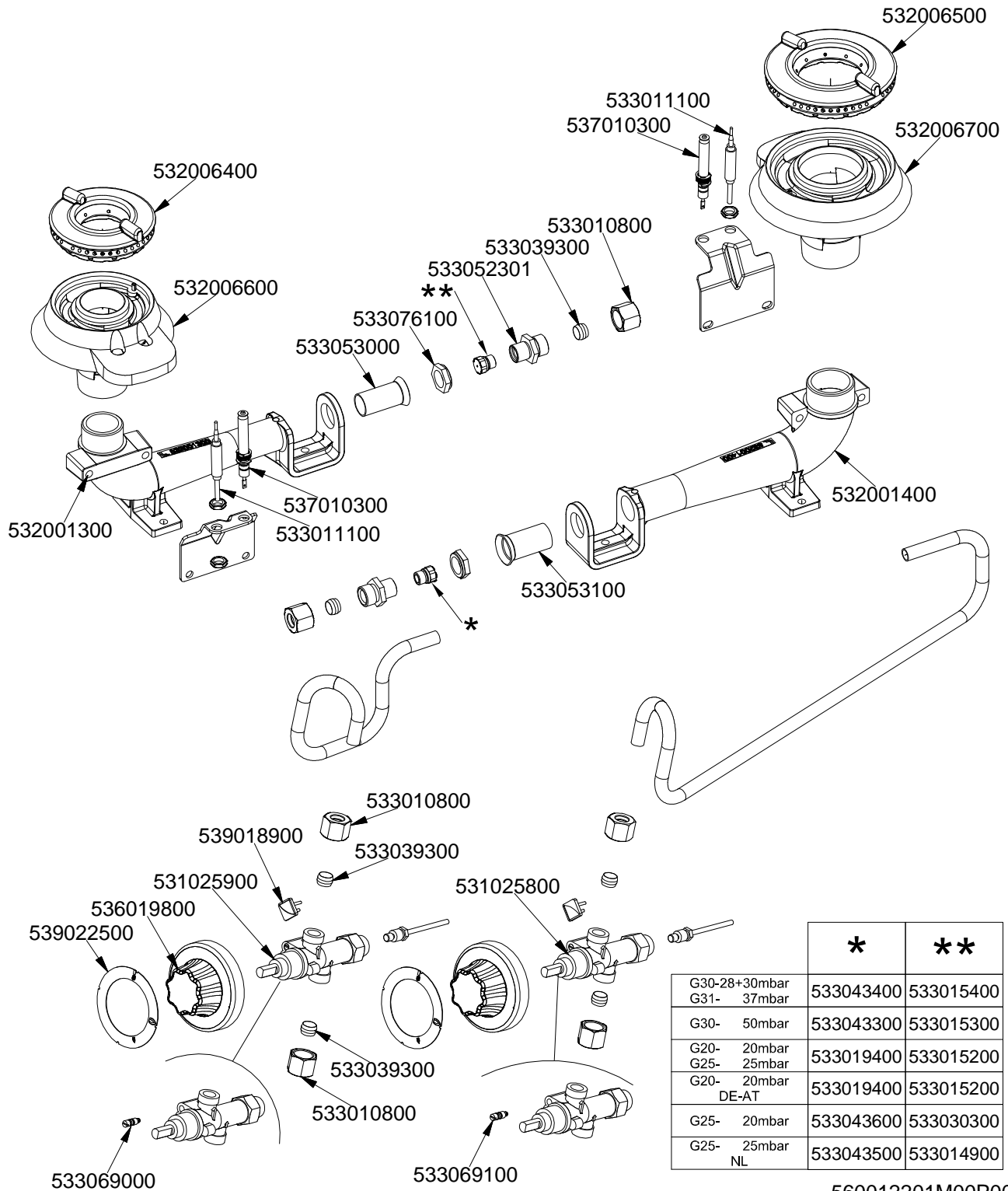
560080700M00P00.

MAGICLOTUS 60

CUCINE / RANGES / HERDE / CUISINIÈRES

COMPONENTI COMUNI / STANDARDS PARTS / UEBLICHE TEILE / COMPOSANTS COMMUNS

PCT-G



	*	**
G30-28+30mbar G31- 37mbar	533043400	533015400
G30- 50mbar	533043300	533015300
G20- 20mbar G25- 25mbar	533019400	533015200
G20- 20mbar DE-AT	533019400	533015200
G25- 20mbar	533043600	533030300
G25- 25mbar NL	533043500	533014900

560012201M00P00

Page	Pos	Code	Description
001		544522000	BURNER DRIP PAN OF PCT-60
001		541210300	UPPER PLATE FOR PCT-6 6G
001		532006200	2 BURNERS GRID 290X505 60T RAF
001		544540300	
001		544540200	
001		531048400	INOX LEG Ø1"3/4 100-165 M10
001		537006600	IGNITION UNIT 4 FLAMES V230
001		537036500	TERMINAL BLOCK 4POLES 40A SCREW-SCR
001		541194300	CONTROL PANEL 607090 CF4-6 6GE
001		537015600	BIPOLAR SWITCH
001		536024800	
002		539024000	SIGN PLATE FOR OVEN SELECTOR
002		539018800	INDEX FOR OVEN KNOB
002		539023800	SIGN PLATE FOR OVEN TIMER
002		539023900	SIGN PLATE FOR OVEN TEMPERATURE
002		536019700	BLACK KNOB §70 PIN §6*5
002		539023301	ADHESIVE GRADUATED*EL.MULTIF.COMM.
002		537019201	OVEN COMMUTATOR MULTIF.60+65
002		537014100	WHITE WARNING LIGHT 250V
002		537019101	THERMOSTAT MONOPHAS.050-320°C F.MF
002		537019301	
002		537014200	GREEN WARNING LIGHT 250V
002		539023501	ADHESIVE GRAD.DISC *E.MULTIF.TERM.
002		539023400	ADHESIVE GRADUATED DISC F.KNOB
002		537006402	OVEN ELEMENT * 62 SUP. 2500W 230V
002		533095900	PIN FOR GRIDSHOLDER SUPPORT CF 60
002		537006800	FAN 240V CF-62
002		537019000	CIRCULAR HEATING ELEMENT FOR OVEN
002		534018000	
002		533084801	PANEL SPACER OF AIR DIFF.MAXI OVEN
002		537007900	OVEN BULB-SOCKET
002		537005400	OVEN BULB 15W 300°C
002		531059100	
002		536011402	OVEN GASKET CF-62
002		531057700	DOOR WHEEL HOLDER F.MAXI OVEN 60T
002		533079700	LOCK SPRING FOR BULB §3/§4
002		536029300	
002		531007302	DOOR HINGE FOR MAXI OVEN 60.LINE
002		531037801	SUPPORT GRID OVEN NEW CF-62E
002		531012802	OVEN GRID CF-62E
002		537025001	OVEN HEATING EL.W1600 V230 62
002		533094400	S/S OVEN DOOR HANDLE FOR 60T-LINE
002		531065000	
003		532006500	QUICKBURNER 2 RING Ø102 3 Z
003		532006700	BURNER BODY 5,5 KW WITH PLUG
003		533011100	THERMOCOUPLE 600 M8*1
003		537010300	PLUG IGNITION WITH SPRING PC65
003		532006400	QUICKBURNER 2 RING Ø082 3 Z
003		533010800	TUBE NUT D.10 M16*1,5
003		533039300	BICONE §10
003		533052301	JOINT FOR NOZZLE HOLDER

Page	Pos	Code	Description
003		532006600	BURNER BODY 3,5 KW WITH PLUG
003		533076100	HEXAGONAL NUT M14X1 H4 + BUSHING
003		533053000	AIR ADJUSTMENT BUSHING §18
003		532001400	BURNER VENTURI 5,5 KW
003		532001300	BURNER VENTURI 3,5 KW
003		533053100	AIR ADJUSTMENT BUSHING §20
003		539018900	INDEX FOR KNOB
003		533069000	BY PASS COCK §70 20S-21S
003		533069100	BY PASS COCK §60 20S
003		531025800	SAFETY TAP 20S-B PEL20S2160
003		531025900	SAFETY TAP 20S-B PEL20S21070
003		536019800	BLACK KNOB §70 PIN §8*6,5
003		539022500	ADHESIVE GRADUATED DISC FOR KNOB
003		533043400	NOZZLE §117 CH12*14 G-PC4 UR
003		533015400	NOZZLE §93 CH12*14 G-PC4 R
003		533043300	NOZZLE §103 CH12*14 F-PC4 UR
003		533015300	NOZZLE §82 CH12*14 F-PC4 R
003		533019400	NOZZLE §180 CH12*14 L-FQ5
003		533015200	NOZZLE §145 CH12*14 F-FP/CP6
003		533043600	NOZZLE §200 CH12*14 L-PC4 UR
003		533030300	NOZZLE §160 CH12*14 M-FPG
003		533043500	NOZZLE §190 CH12*14 G25 PC4R
003		533014900	NOZZLE §150 CH12*14 F-FQ5 L-FQ6