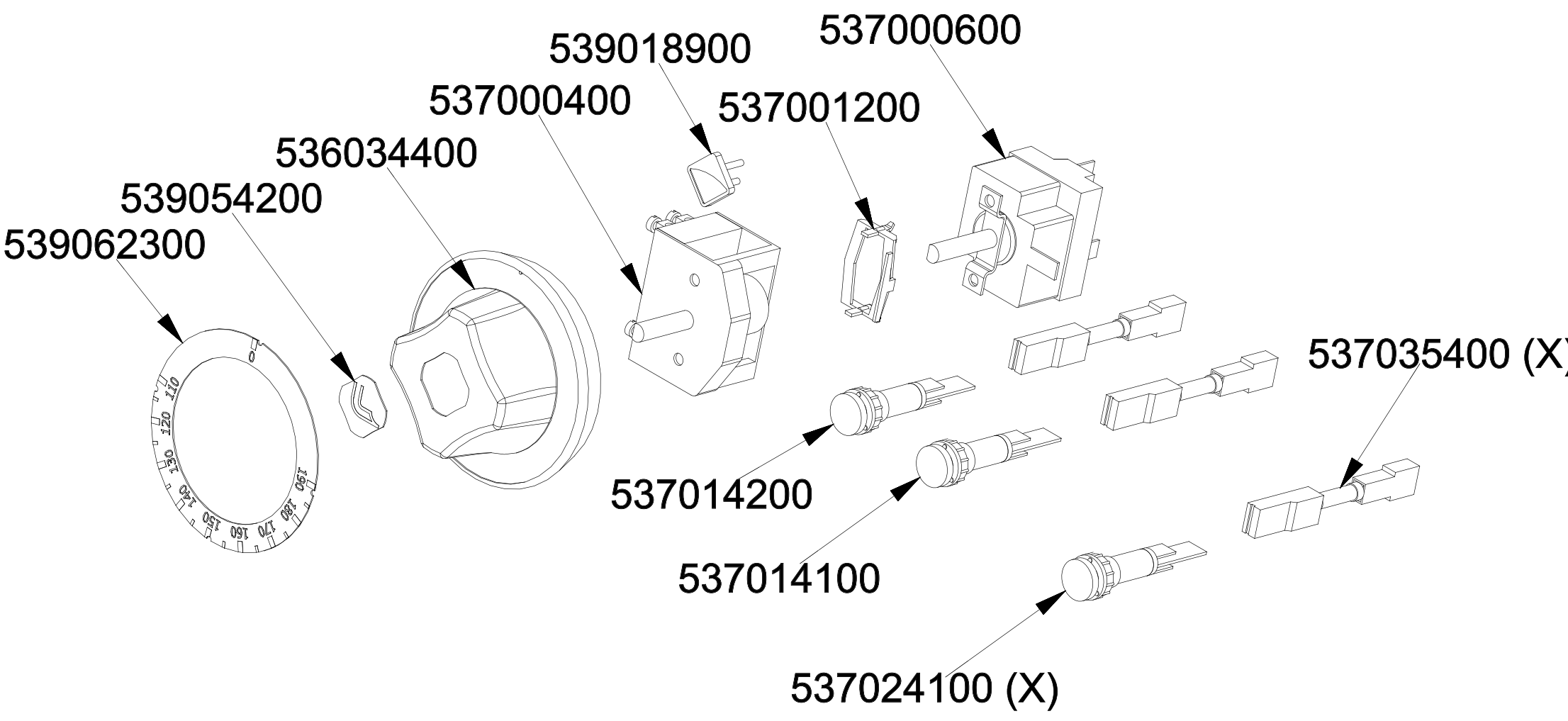
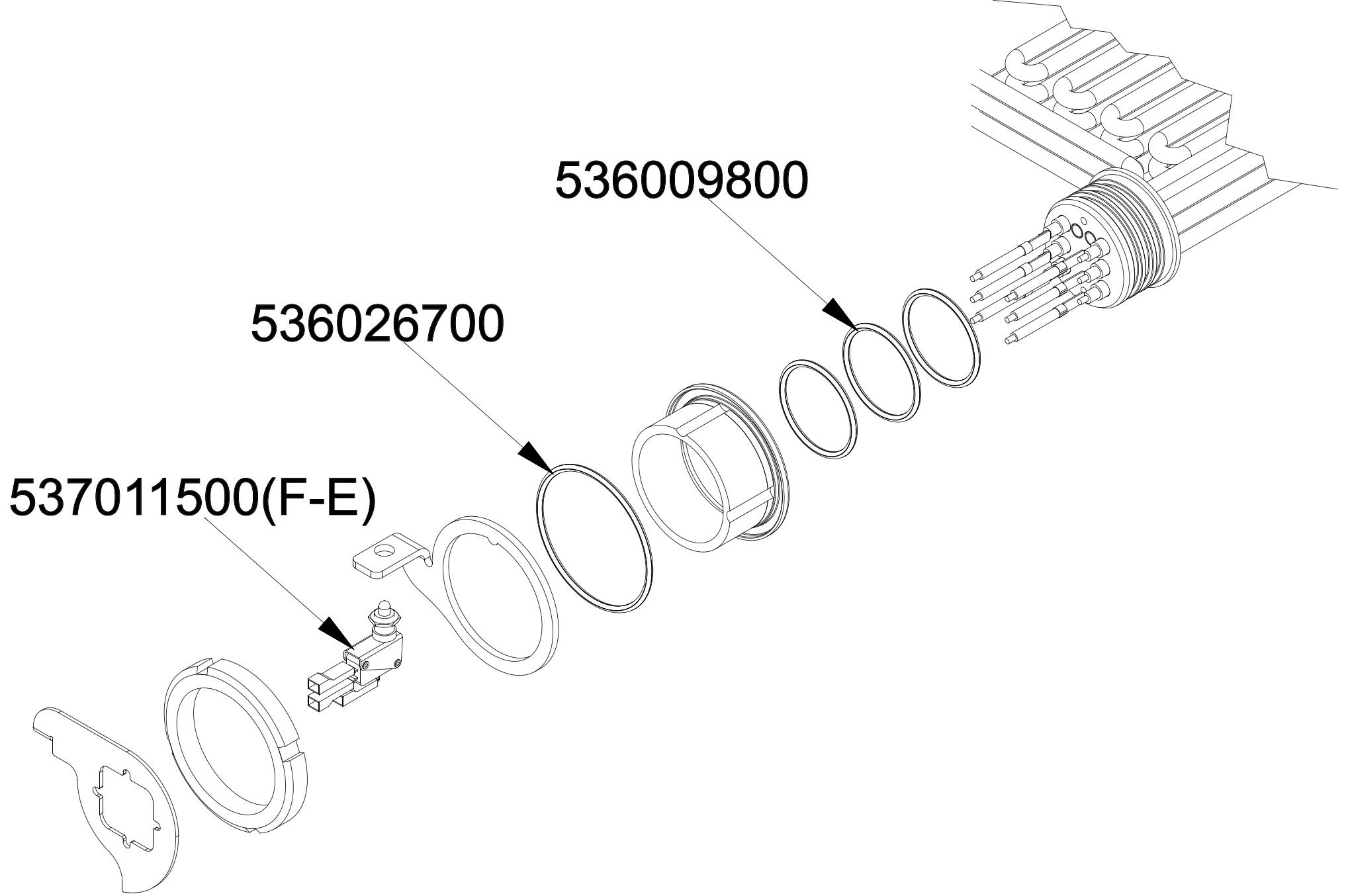


560075000M01P00



560100200M01P00



560111000 M00P00

Page	Pos	Code	Description
001		533094200	S/S HANDLE FOR 70/90 SERIES
001		531049100	BASKET F 121X285X115 F2/8T-74E
001		531054201	TANK FILTER/BASKET SUPPORT F2/8TE70
001		544329900	
001		537032600	ELEMENT F2/8 S70/90ROT.6000W 230V
001		537032700	HEATING ELEMENT F2/8 6000W 440V3
001		536009800	GASKET O-RING 47,22X3,53 VITON
001		541134000	NEUTRAL LOW SPACER 74
001		536026700	GASKET O-RING 74,61X3,53 VITON
001		537011500	MICRO-SWITCH 10A 400V
001		537036500	TERMINAL BLOCK 4POLES 40A SCREW-SCR
001		537001400	SAFETY THERMOSTAT 235°C THREEPHASE
001		541158101	UPPER PLATE F2/ 8T-74ET
001		533010100	3/4 D. 18 PIPE UNION
001		533010200	BICONE 18S
001		531000100	DRAIN COCK 3/4"
001		537027400	TERMINAL BLOCK THREEPHASE 40A
001		533009600	DRAIN COCK HANDLE
001		536000300	FIXED GRIP D.15*25*M6
001		537014200	GREEN WARNING LIGHT 250V
001		537014100	WHITE WARNING LIGHT 250V
001		544385600	LEFT SIDE OF 70T LINE
001		537010100	REMOTE CONTROL SWITCH 20A 230V
001		533044401	M8 THREADED CAP FOR SEC.THERMOSTAT
001		541140400	CONTROL PANEL 60/70/90 F2/ 8T-74E
001		544120300	DRAIN PIPE 22 FOR COCK 3/4"G
001		544385500	RIGHT SIDE OF 70T LINE
001		533010500	LEG M10*25 D.40
002		537000600	THERMOSTAT 90-180°C SINGLEPHASE
002		539018900	INDEX FOR KNOB W/RED SIGN
002		537000400	COMMUTATOR 1POS.SINGLEPHASE S49 16A
002		537001200	FIXING BRACKET FOR THERMOSTAT/COMM.
002		536034400	KNOB §77 4P. §06*4,6 C/M
002		539054200	STAMP Ø20,5 CR."L" LOTUS R.
002		539062300	RED STICKING DISK 72 (110,190°
002		537035400	HEATING ELEMENT 00003W 330KOHM W/F
002		537014200	GREEN WARNING LIGHT 250V
002		537014100	WHITE WARNING LIGHT 250V
002		537024100	RED WARNING LIGHT LOW BUD 110V
003		536009800	GASKET O-RING 47,22X3,53 VITON
003		536026700	GASKET O-RING 74,61X3,53 VITON
003		537011500	MICRO-SWITCH 10A 400V