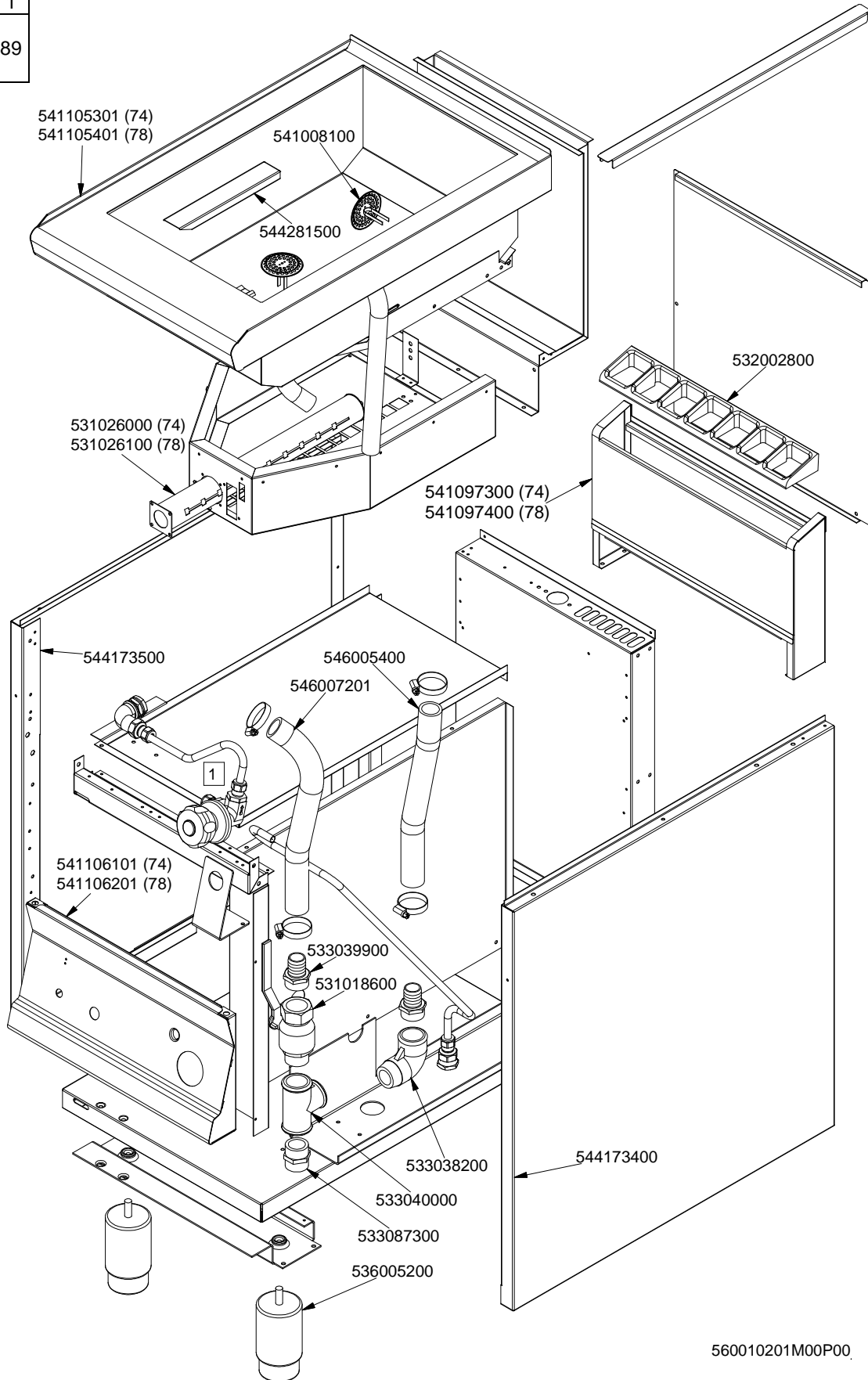


SUPERLOTUS 70≤0601

GAS / GAS / GAS / GAZ

BM-74G BM-78G N°≥0501

	1
Vedi Pagina See Page Siehe Seite Voir Page Ver Página	89

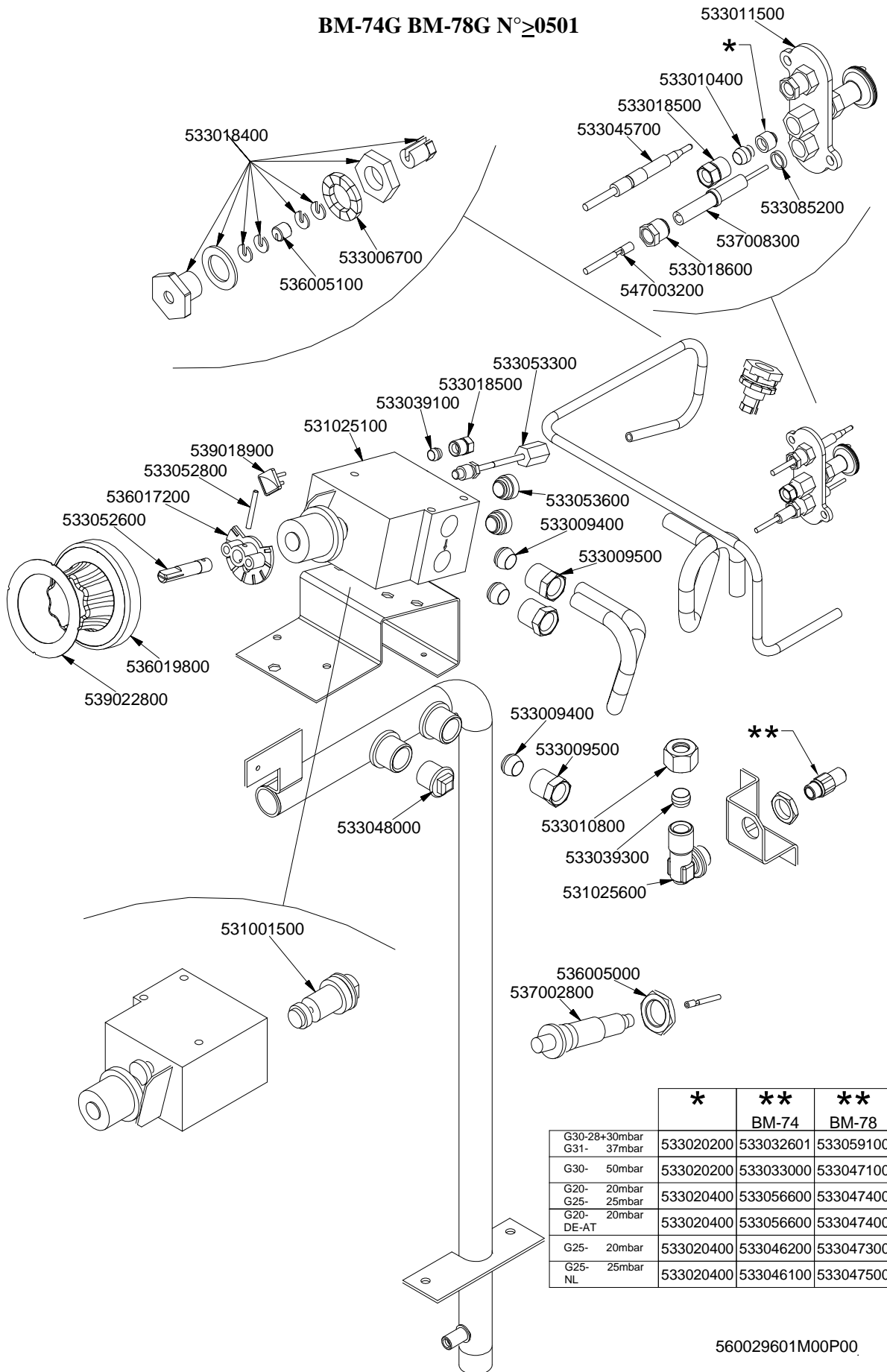


560010201M00P00

SUPERLOTUS 70≤0601

GAS / GAS / GAS / GAZ

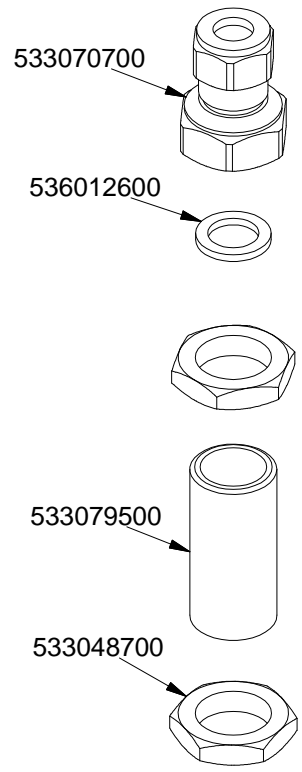
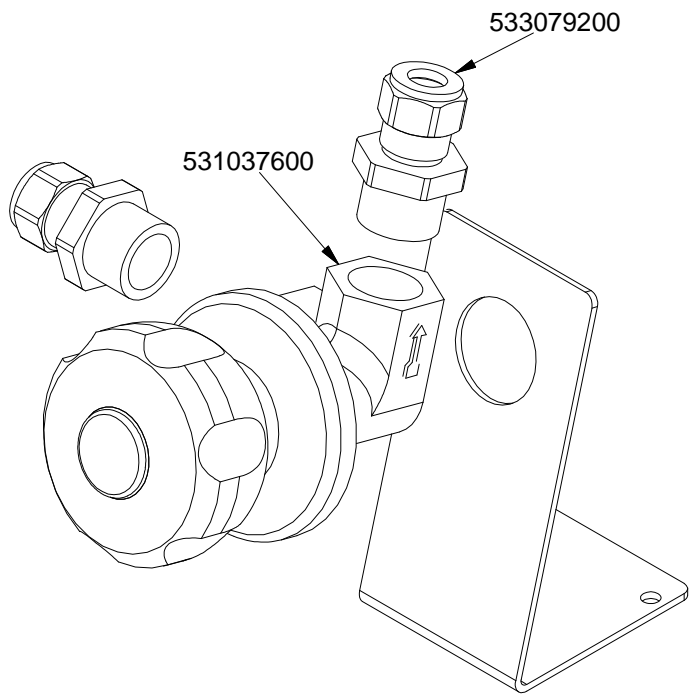
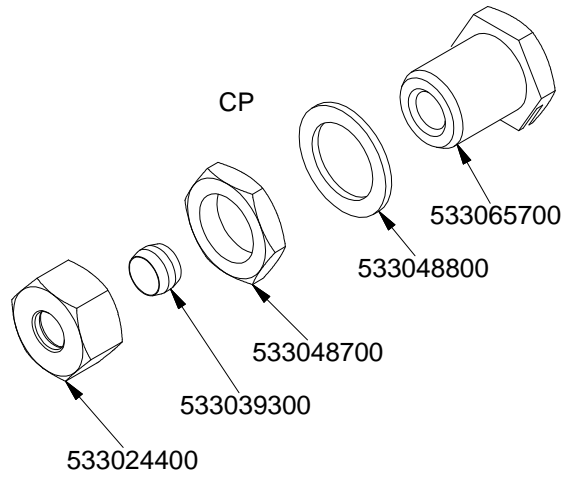
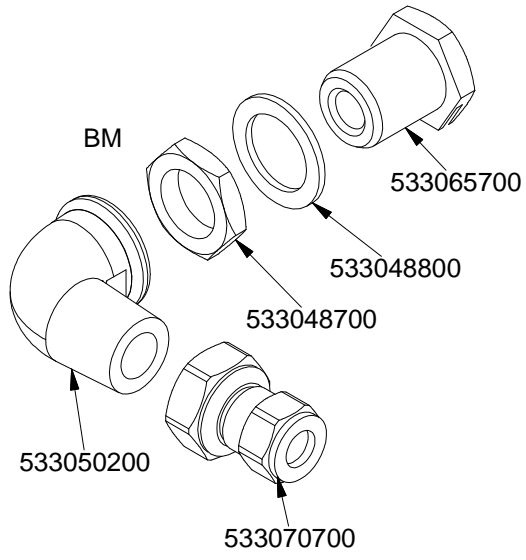
BM-74G BM-78G N°≥0501



	*	**	**
		BM-74	BM-78
G30-28+30mbar G31- 37mbar	533020200	533032601	533059100
G30- 50mbar	533020200	533033000	533047100
G20- 20mbar G25- 25mbar	533020400	533056600	533047400
G20- 20mbar DE-AT	533020400	533056600	533047400
G25- 20mbar	533020400	533046200	533047300
G25- 25mbar NL	533020400	533046100	533047500

560029601M00P00

BM CP



560024000M00P00

Page	Pos	Code	Description
001		541105401	UPPER PLATE BM-78G
001		541008100	DRAIN FILTER TANK CP 700LINE
001		544281500	PROBE PROTECTION BM/BS-65
001		532002800	GRID FOR PIPE L=370 S.70
001		531026100	BURNER BM-6/8G
001		541097400	SPACER 78G - 2 DRAINS
001		544173500	LEFT SIDE PANEL S.70
001		546005400	RUBBER TUBE §25INT.*§33EXT.*L=540
001		546007201	RUBBER TUBE §25INT.*§33EXT.*L=360
001		533039900	PIPE HOLDER 1" G M D.24
001		544173400	RIGHT SIDE PANEL S.70
001		531018600	BALL VALVE 1"G M-F CPM-62G
001		541106201	CONTROL PANEL BM-78/98G
001		533038200	1" G M-F ELBOW FITTING
001		533040000	1"G F-F-F "T" FITTING
001		533087300	HEXAGONAL BICONE 1G
001		536005200	INOX LEG 2" 120-180 M10
002		533011500	PILOT BURNER 2 FLAMES 220
002		533045700	THERMOCOUPLE M9*1 500
002		547003200	HIGH-VOLTAGE CABLE TUBE.§2 L=500
002		533010400	BICONE D.6
002		533018400	THREADED FITTING
002		533018500	FITTING FOR BICONE D.6 M10*1
002		533053600	EUROSIT VALVE PLUG
002		533009400	BICONE 10S
002		533085200	
002		537008300	ROUND PLUG §2,4- LONG ELECTRODE
002		533006700	NOTCHED WASHER D.14
002		533018600	PLUG FITTING
002		536005100	GRAPHITE §07,4 GASKET
002		533053300	THERMOCOUPLE EXTENSION M9*1
002		533039100	BICONE §6
002		531025100	EUROSIT VALVE BM 30-100°C
002		539018900	INDEX FOR KNOB
002		533052800	ELASTIC PEG §2,5*26
002		536017200	MATCHER REMOTE CONTROL EUROSIT
002		533052600	PIN FOR KNOB 65LINE
002		533048000	THREADED CAP 3/8"G
002		533009500	NIPPLE FOR BICONE 10S
002		536019800	BLACK KNOB §70 PIN §8*6,5
002		539022800	ADHESIVE GRADUATED DISC FOR KNOB
002		533010800	TUBE NUT D.10 M16*1,5
002		533039300	BICONE §10
002		531025600	ELBOW 90° NOZZLE-HOLDER §10 PIPE
002		531001500	MAGNET FOR EUROSIT VALVE
002		536005000	NUT M18 FOR PIEZOELECTRIC IGNITION
002		537002800	PIEZOELECTRIC IGNITION M18
002		533020200	PILOT JETS 0160 FOR LPG §30
002		533059100	NOZZLE §125A CH12*30 G-BM8
002		533047100	NOZZLE §100A CH12*30 GF-BM6/8
002		533020400	NOZZLE 0160 (NATURAL GAS) 51

Page	Pos	Code	Description
002		533047400	NOZZLE §195 CH12*30 M-BM8
002		533047300	NOZZLE §215 CH12*30 L-BM8
002		533047500	NOZZLE §205 CH12*30 ML-BM-8G
003		533065700	FITTING FOR WATER INPUT 1/2G
003		533048800	GASKET §30*§21*2 FIBRE
003		533048700	NUT 1/2G ZN
003		533050200	90° 1/2 M/F ELBOW FITTING
003		533070700	FITTING 1/2G TUBE D10 + O-RING
003		536012600	GASKET §12,5*§18,5*2 1/2G
003		533079500	
003		533079200	FITTING 1/2G F.TUBE D10 + O-RING
003		531037600	TAP FOR WATER LOADING 1/2"GF CP 90