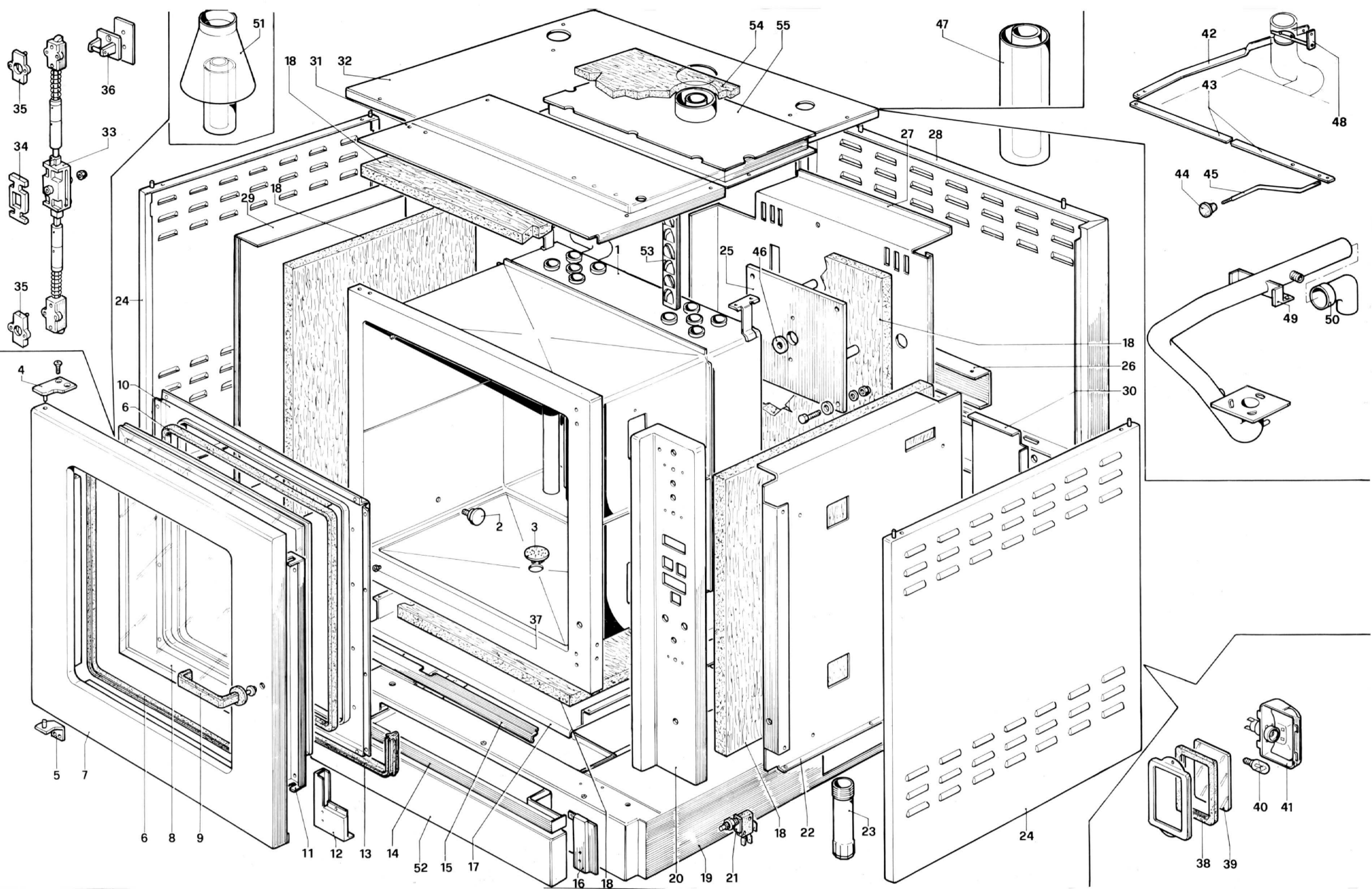


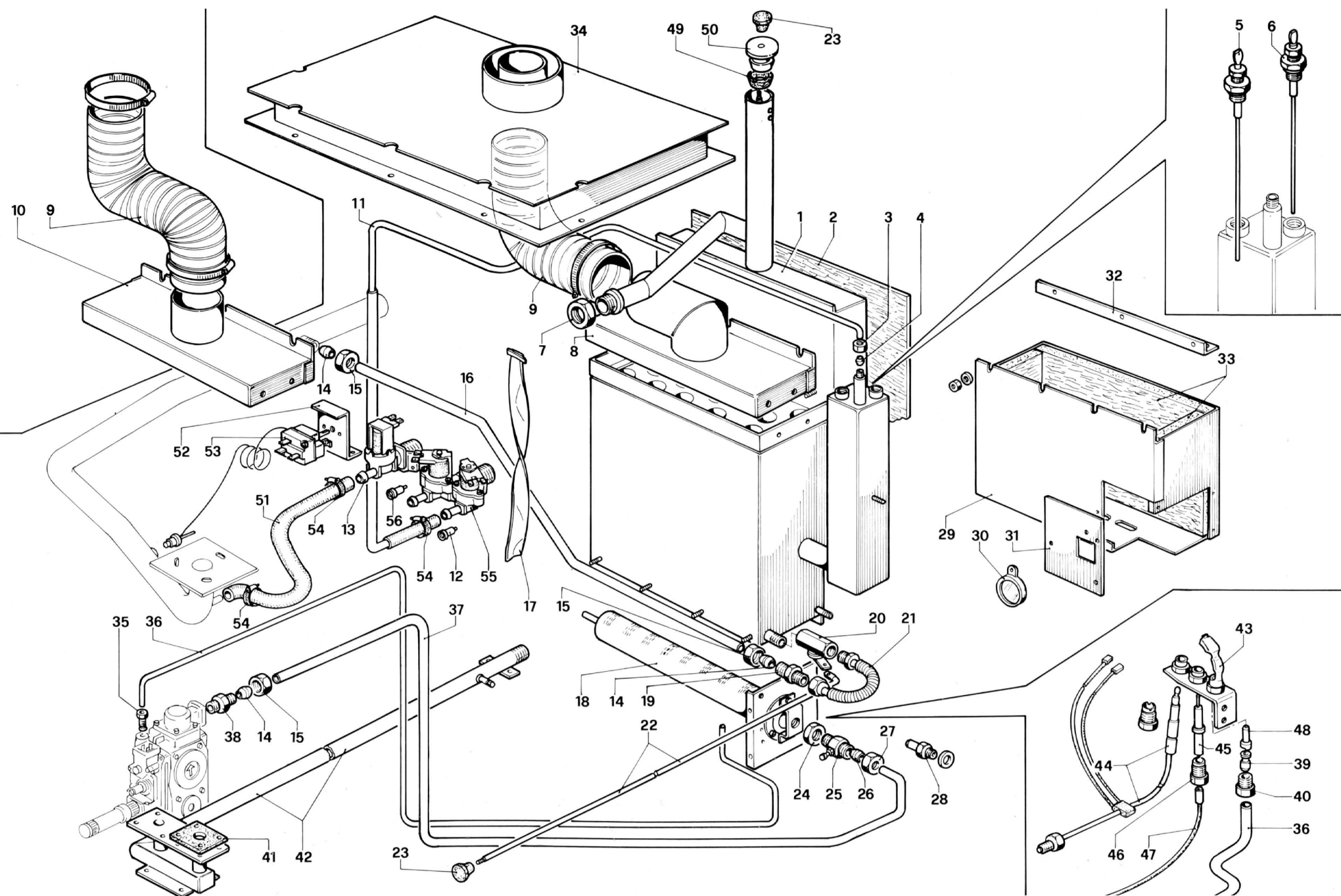
TAV.211		Griglie e impianto gas	Grilles et installation gaz	Grilles and gas system	Gitter und Gasanlage	FGC100/FGP080	FGM100/101	FMM100/101
Codice	Denominazione	Denominaton	Denominaton	Bezeichnung				
1	RTFOC00014	Griglia protezione ventilatore	Grille ventilateur	Fan grille	Inox Rückwand	x	x	x
2	GAFOC00054	Convogliatore aria	Coiffe ventilateur air	Air duct	Innenschornstein	x	x	x
3	RTFOC00071	Umidificatore	Humidificateur	Humidifier	Schornsteinrost	x	x	x
4	GAFOC00073	Brucciatore	Brûleur	Burner	Ablasshahn	x	x	x
5	RTFOC00118	Vite fissaggio girante	Vis de fixation couronne mobile	Wheel attachment screws	Lautradbefestigungsschraube	x	x	x
6	RTFOC00067	Girante ventilatore	Couronne mobile ventilateur	Fann wheel	Ventilatorlaufrad	x	x	x
7	RTFOC00066	Motore elettrico	Moteur électrique	Electric motor	E-Motor	x	x	x
8	RTFOC00156	Nebulizzatore	Nébulisateur	Atomizer	Zersträuber	x	x	x
9	RTFOC00019	Iniettore umidificatore	Injecteur humidificateur	Injector for humidifier	Einspritzer für Befeuchter	x	x	x
10	RTCU800183	Bicono Ø 6	Bicone pour tube Ø 6	Bicone for pipe Ø 6	Zweikegel Ø 6	x	x	x
11	RTFOC00020	Calotta	Ecrou pour tube Ø 6	Nut for pipe Ø 6	Mutter für Schlauch Ø 6	x	x	x
12	RTFOC00203	Elettrovalvola 2 vie	Electrovalve 2 voies	Solenoid valve 2 ways	E-Ventil	x	x	x
13	RTFOC00072	Tube alimentazione umidificatore	Tube alimentation	Feeding pipe	Versorgungsrohr	x	x	x
15	RTFOC00070	Griglia laterale destra (FGC100)	Grille latérale droite (FGC100)	Right lateral grate (FGC100)	Rechter Seitenrost (FGC100)	x		
15	RTFOC00178	Griglia laterale destra	Grille latérale droite	Right lateral grate	Rechter Seitenrost		x	x
15	RTFOC00069	Griglia laterale sinistra (FGC100)	Grille latérale gauche (FGC100)	Left lateral grate (FGC100)	Linker Seitenrost (FGC100)	x		
16	RTFOC00181	Griglia laterale sinistra	Grille latérale gauche	Left lateral grate	Linker Seitenrost		x	x
17	RTFOC00017	Griglia forno (FGC100)	Grille du four (FGC100)	Oven grate (FGC100)	Ofenrost (FGC100)	x		
17	RTFOC00175	Griglia forno	Grille du four	Oven grate	Ofenrost		x	x
18	RTFOC00114	Griglia laterale destra (FGP080)	Grille latérale droite (FGP080)	Right lateral grate (FGP080)	Rechter Seitenrost (FGP080)		x	x
19	RTFOC00113	Griglia laterale sinistra (FGP080)	Grille latérale gauche (FGP080)	Right lateral grate (FGP080)	Linker Seitenrost (FGP080)		x	x
20	RTFOC00083	Griglia forno (FGP080)	Grille du four (FGP080)	Oven grate (FGP080)	Ofenrost (FGP080)		x	x
21	RTBF800054	Visore con vetro	Doville	Viewer	Monitor	x	x	x
22	PAFOC00123	Coperchio camera combustione	Panneau antérieur chambre comb.	Combustion chambre face	Brennkammervorderwand	x	x	x
23	PAFOC00124	Deflettore bruciatore	Défecteur pour brûleur	Burner deflector	Deflektor	x	x	x
24	MPIS000012	Pannello isolante	Panneau isolant	Insulating panel	Isolier tafel	x	x	x
25	GAFOC00072	Camera di combustione	Chambre de combustion	Combustion chamber	Brennkammer	x	x	x
26	RTBF800197	Iniettore Ø 2.10K per GPL	Injecteur Ø 2.10 K pour GPL	LPG injecteur Ø 2.10K	Flüssiggas-Einspritzer Ø 2.10K	x	x	x
26	RTCP800049	Iniettore Ø 3.40 gas metano	Injecteur Ø 3.40 pour méthane	Methane pilot injector Ø 3.40K	Methangas-Einspritzer Ø 3.40K	x	x	x
27	RTCP800099	Bicono Ø 14	Bicone Ø 14	Bicone Ø 14	Zweikegel Ø 14	x	x	x
28	RTCP800013	Controdado 1/2"	Countre écron 1/2"	Lock nut 1/2"	Gegenmutter 1/2"	x	x	x
29	RTCP800012	Supporto iniettore	Support injecteur	Injector support	Einspritzerhalterung	x	x	x
30	RTBF800137	Bicono Ø 14	Bicone Ø 14	Bicone Ø 14	Zweikegel Ø 14	x	x	x
31	RTBF800015	Calotta Ø 14	Ecrou pour tube Ø 14	Nut for tube Ø 14	Mutter für Schlauch Ø 14	x	x	x
32	RTCP900087	Niples 1/2"-M20	Niples 1/2"-M20	Niples 1/2"-M20	Nippel 1/2"-M20	x	x	x
33	RTCU900217	Raccordo + bicono Ø 6	Ecrou et bicone Ø 6	Nut and bicone Ø 6	Mutter und Zweikegel Ø 6	x	x	x
34	PAFOC00098	Tube pilota	Tube pour veilleuse	Pilot pipe	Pilotbrennerrohr	x	x	x
35	PAFOC00097	Tube alimentazione bruciatore	Tube alimentation du brûleur	Burner feeding pipe	Brennerversorgungsrohr	x	x	x
36	RTCP800034	Corpo pilota	Corps veilleuse	Pilot body	Pilotbrenner	x	x	x
37	RTCP800041	Iniettore pilota Ø 0,19 per GPL	Injecteur veilleuse Ø 0.19 pour GPL	LPG pilot injector Ø 0.19	Flüssiggas-Einspritzer Ø 0.19	x	x	x
37	RTCP800040	Iniettore Ø 0.36 gas metano	Injecteur veilleuse Ø 0.36 pour méth.	Methane pilot injector Ø 0.36	Methangas-Einspritzer Ø 0.36	x	x	x
38	RTCU800183	Bicono Ø 6	Bicone Ø 6	Bicone Ø 6	Zweikegel Ø 6	x	x	x
39	RTCU800182	Calotta Ø 6	Ecrou pou tube Ø 6	Nut for pipe Ø 6	Mutter für Schlauch Ø 6	x	x	x

TAV.211		Griglie e impianto gas	Grilles et installation gaz	Grilles and gas system	Gitter und Gasanlage	FGC100/FGP080	FGM100/101	FMM100/101
Codice	Denominazione	Denominaton	Denominaton	Denominaton	Bezeichnung			
40	RTCP800032	Candela accensione	Bugie d'allumage	Spark plug	Zündkerze	×	×	×
41	RTCU900215	Raccordo candela accensione	Raccord pour bugie veilleuse	Fitting for pilot spark plug	Anschlußstück	×	×	×
42	RTFOC00128	Cavo accensione	Cable d'allumage	Lighting cable	Zündkabel	×	×	×
43	RTCP900089	Calotta Ø 14	Ecrou pour tube Ø 14	Nut for pipe Ø 14	Mutter für Schlauch Ø 14	×	×	×
44	RTFOC00241	Termocoppia 100cm	Thermocouple 100cm	Thermocouple 100cm	Thermoelement 100cm	×	×	×
45	RTFOC00091	Rampa alimentazione	Collecteur du four	Oven collector	Speiserampe	×	×	×
46	RTFOC00100	Guarnizione rampa	Garniture	Gasket	Dichtung	×	×	×
47	RTMIN00121	Fascetta Ø 14-22	Collier Ø 14-22	Clamp Ø 14-22	Windel Ø 14-22	×	×	×
48	RTFOC00120	Regolatore elettrovalvola Ø 0,25	Regulateur electrovanne Ø 0,25	Solenoid valve regulator Ø 0,25	E-Ventil Regler Ø 0,25	×	×	×
49	RTFOC00275	Termostato elettrico	Thermostat	Thermostat	Thermostat	×	×	×
50	PACP800062	Squadretta portaremostato	Egierre de fixage therm.	Bracket to fix thermostat	Winkel	×	×	×
51	MPGOM10T00	Tubo gomma Ø 10x17	Tuyau Ø 10x17	Pipe Ø 10x17	Rohr Ø 10x17	×	×	×



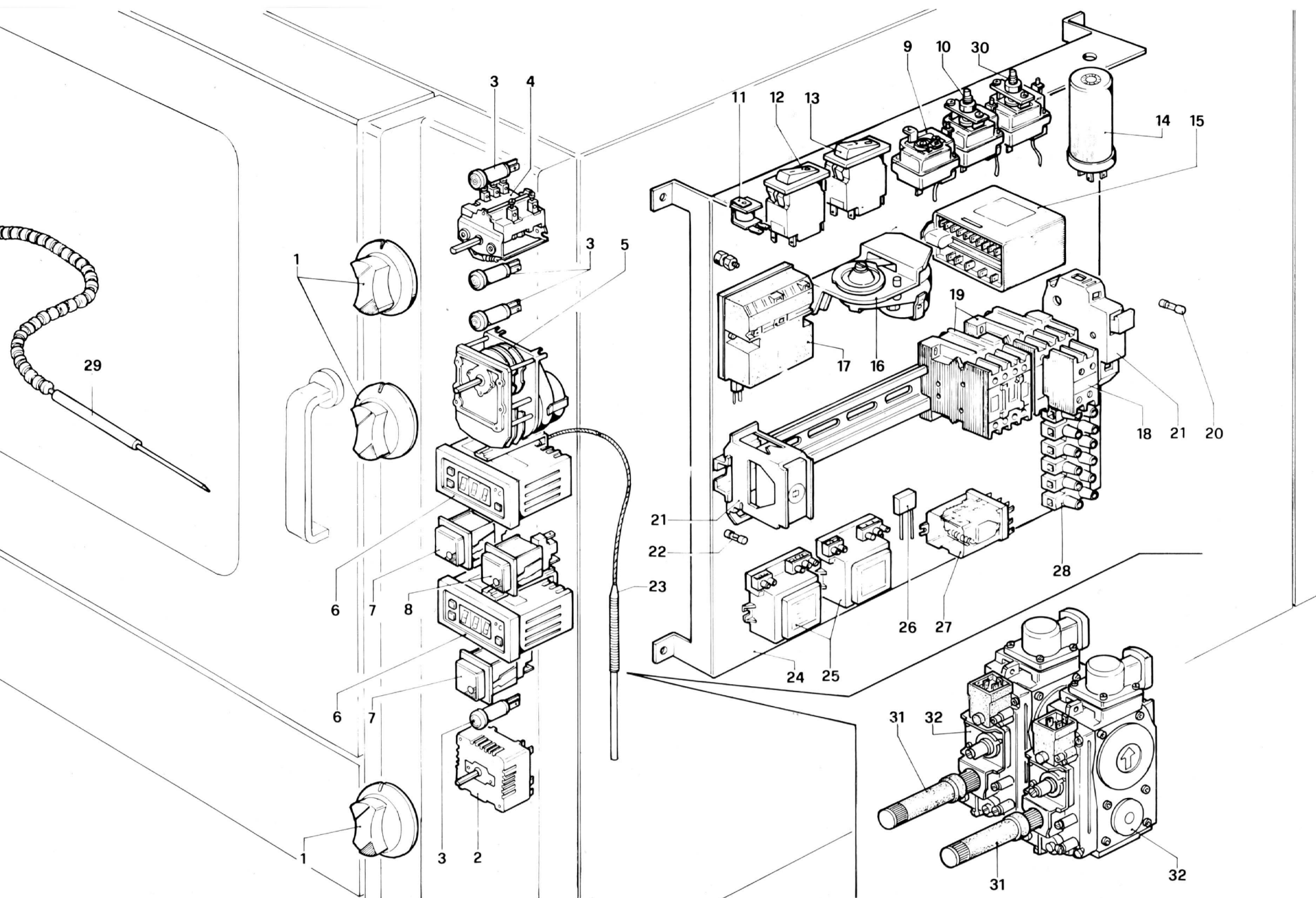
TAV.216		Struttura	Structure	Structure	Struktur	FGM100/101
	Codice	Denominazione	Denominaton	Denominaton	Bezeichnung	
1	GAFOC00065	Cassone forno	Caisson du four	Oven body	Ofenschublade	×
2	RTCU700002	Attacco griglia laterale	Attaque latérale	Lateral connection	Seitenanschluß	×
3	GAFOC00027	Disco copriforo	Disque	Disk	Scheibe	×
4	GAFOC00030	Cerniera superiore porta	Charnière supérieure	Upper hinge	Linke Türangel	×
5	GAFOC00031	Cerniera inferiore porta	Charnière inférieure	Lower door hinge	Untere Türangel	×
6	MPGOM03P00	Guarnizione vetro porta	Guarniture porte	Oven door gasket	Türdichtung	×
7	GAFOC00049	Porta forno	Porte du four	Oven door	Ofentür	×
8	RTFOC00065	Cristallo porta forno	Verre porte four	Oven door glass	Ofentürglas	×
9	RTFOC00007	Maniglia serratura	Poignée porte four	Oven door handle	Ofentürgriff	×
10	PAFOC00064	Controporta forno	Contre porte du four	Oven counter door	Gegentür	×
11	PAFOC00063	Protezione serratura porta	Protection de la serrure	Lock guard	Schloßschutz	×
12	PAFOC00085	Prolunge sinistra facciata	Rollonge gauche facade	Left facade extension	Verlängerung linke Front	×
13	RTFOC00094	Guarnizione porta forno	Guarniture porte du four	Oven door gasket	Türdichtung	×
14	GAFOC00048	Cassetto	Tiroir	Drawer	Kasten	×
15	PAFOC00181	Traversa antigoccia	Traverse anti-goutte	Anti-drip crosspiece	Tropfschutzquerstange	×
16	PAFOC00084	Prolunga destra facciata	Rollonge droite facade	Right facade extension	Verlagerung rechte Front	×
17	PAFOC00080	Coprilana inferiore	Panneau couvre isolant	Insulating panel cover	Isoliermaterialverkleidung	×
18	PACU800150	Pannello isolante	Panneau isolant	Insulating panel	Isolierplatte	×
19	GAFOC00068	Basamento	Soubassement	Base	Untergestell	×
20	GAFOC00113	Cruscotto	Panneau de contrôle	Control panel	Stirnbrett	×
21	RTFOC00035	Microinterruttore	Microswitch	Microswitch	Microswitch	×
22	PAFOC00066	Coprilana destro	Panneau couvre isolant	Insulating panel cover	Isoliermaterialverkleidung	×
23	RTFOC00086	Piedino	Pied	Foot	Inox-Fuß	×
24	PAFOC00120	Fianco inox	Côté inox	Inox side	Inox-Seite	×
25	GAFOC00053	Supporto ventola	Support ventilateur	Fan support	Lautradsupport	×
26	PAFOC00081	Coprilana inf. posteriore	Panneau couvre isolant	Insulating panel cover	Isoliermaterialverkleidung	×
27	PAFOC00067	Coprilana posteriore	Panneau couvre isolant	Insulating panel cover	Isoliermaterialverkleidung	×
28	GAFOC00081	Posteriore inox	Panneau postérieur inox	Inox back panel	Inox-Rückwand	×
29	PAFOC00065	Coprilana sinistro	Panneau couvre isolant	Insulating panel cover	Isoliermaterialverkleidung	×
30	PAFOC00137	Protezione comp. elettrici	Protection composant électriques	Electrical components guard	Schutz elektrischer Komponenten	×
31	PAFOC00141	Coprilana superiore	Panneau couvre isolant	Insulating panel cover	Isoliermaterialverkleidung	×
32	GAFOC00114	Coperchio	Couvercle	Cover	Topfdeckel	×
33	GAFOC00051	Serratura porta forno	Serrure porte four	Over door lock	Ofentürschloß	×
34	RTFOC00057	Zoccolo centrale serratura	Prise centrale serrure	Central connection lock	Mittlerer Anschluß	×
35	RTFOC00005	Zoccolo esterno serratura	Prise extérieure serrure	External connection lock	Außerer Anschluß	×
36	RTFOC00009	Gancio fisso serratura	Crochet fixe de la serrure	lock fixed hook	Fester Schloßnaken	×
37	RTBF800021	Gommino porta forno	Bouchon de la porte	Door rubber cap	Türgummi	×
38	RTFOC00202	Guarnizione portalamпада	Garniture	Gasket	Dichtung	×
39	RTFOC00201	Vetro portalamпада	Verre protège ampoule	Lamp-holder glass	Leuchtenhaltungsglas	×
40	RTFOC00037	Lampada 25W 220V	Ampoule 25W 220V	Lamp 25W 220V	Leuchte 25W 220V	×
41	RTFOC00036	Portalamпада	Douille	Lamp-holder	Leuchtenhalterung	×
42	RTFOC00078	Asta posteriore scarico cond.	Antenne arrière	Rear rod	Hintere Stange	×
43	RTFOC00109	Asta trasversale scarico conden.	Antenne transversale	Transverse rod	Querstange	×
44	RTFOC00056	Manopola scarico condensa.	Manette évacuation condens.	Moisture drain knob	Drehknopf Kondenswasserablaß	×
45	RTFOC00080	Asta anteriore scarico cond.	Antenne avant	Front rod	Vordere Stange	×

TAV.216		Struttura	Structure	Structure	Struktur	FGM100/101
	Codice	Denominazione	Denominaton	Denominaton	Bezeichnung	
46	RTFOC00301	Anello tenuta perno motore	Rondelle de joint	Ring	Ring	×
47	RTFOC00227	Comino superiore	Cheminée supérieure	Upper chimney	Linker Schornstein	×
48	RTFOC00105	Asta posteriore scarico cond.	Antenne arrière	Rear rod	Hintere Stange	×
49	RTFOC00157	Rampa scarico cond.	Rampe évacuation condensation	Moisture drain ramp	Kondenswasserablaßrampe	×
50	RTFOC00124	Gomito scarico condensa.	Rampe évacuation condensation	Moisture drain elbow	Kondenswasserablaßkniestück	×
51	AFC0000408	Camino antivento	Cheminée antirefuleur	Chimney	Schornstein	×
52	PAFOC00092	Porta inferiore	Porte inférieur	Lower door	Untere Tafel	×
53	PAFOC00122	Deviatore fumi	Aiguilleur des fumées	Throttle	Rauchabweiser	×
54	MPISO00013	Pannealo isolante	Panneau isolant	Insulating panel	Isolier tafel	×
55	GAFOC00112	Camino interno	Cheminée extérieure	External chimney	Außenschornstein	×

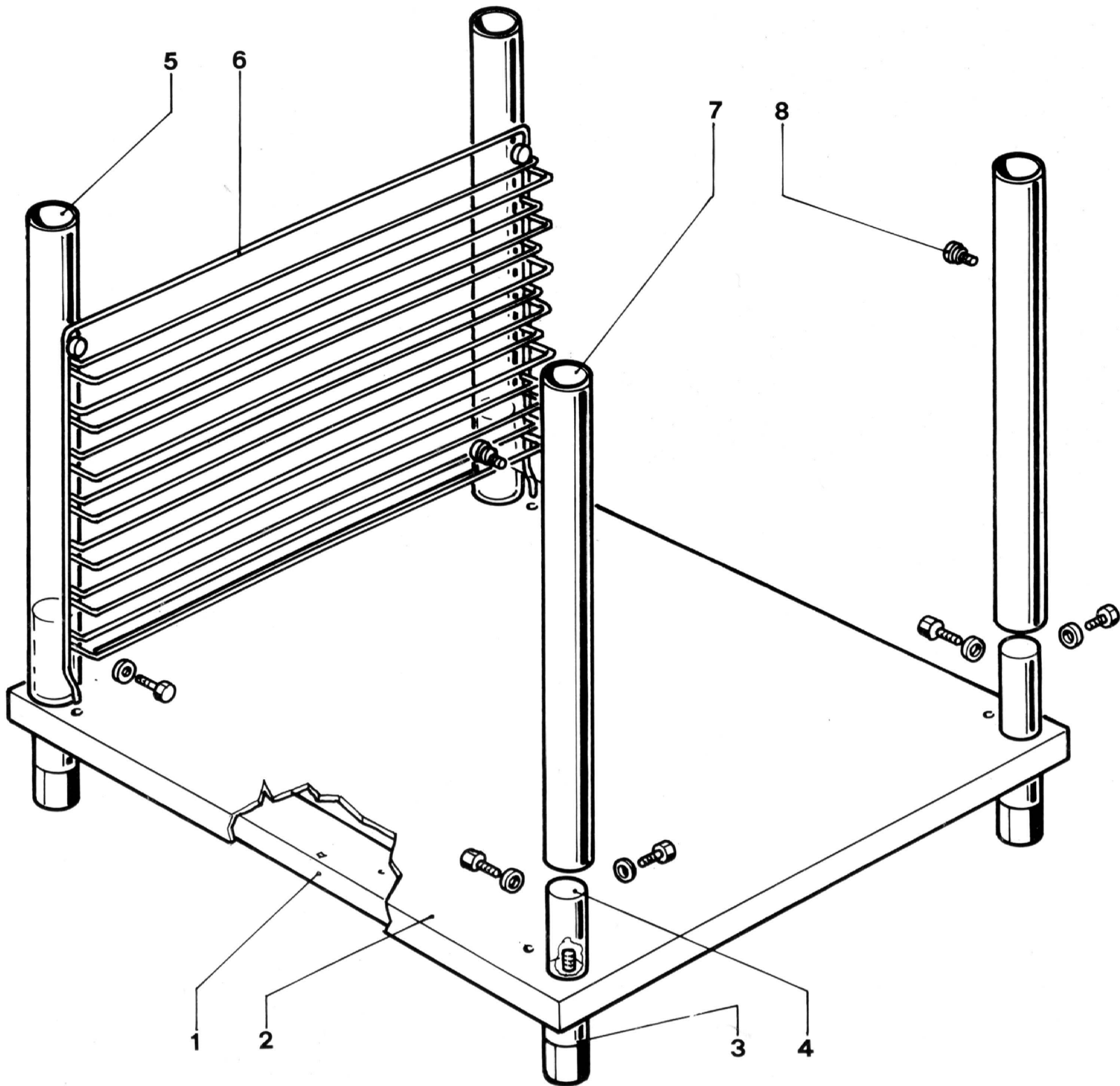


TAV.217		Boiler gas	Bouilleur gaz	Gas boiler	Gasboiler	FGM060/061	FGM100/101
	Codice	Denominazione	Denominaton	Denominaton	Bezeichnung		
1	RTFOC00215	Boiler gas	Bouilleur gazaz electric	Gas boiler	Gasboiler	x	
1	RTFOC00225	Boiler gas	Bouilleur gaz	Gas boiler	Gasboiler		x
2	MPISO00011	Isolante	Panneau isolant	Insulating panel	Isolier tafel	x	x
3	RTCU900013	Calotta per tubo Ø 10	Ecrou Ø 10	Nut Ø 10	Mutter Ø 10	x	x
4	RTCU900010	Bicono per tubo Ø 10	Bicone Ø 10	Bicone Ø 10	Zweikegel Ø 10	x	x
5	RTFOC00207	Sonda livello 160cm	Sonde niveau 160cm	Level probe 160cm	Niveaufühler 160cm	x	
6	RTFOC00210	Sonda livello 130cm	Sonde niveau 130cm	Level probe 130cm	Niveaufühler 130cm	x	x
7	RTFOC00186	Dado 3/4"	Ecrou 3/4"	Nut 3/4"	Mutter 3/4"	x	x
8	GAFOC00111	Camino boiler	Cheminée bouilleur	Boiler chimney	Außenschornstein	x	
9	RTFOC00216	Tube flessibile per camino	Tube flexible	Flexible pipe	Wasserablaßrohr	x	x
10	GAFOC00116	Camino boiler	Cheminée bouilleur	Boiler chimney	Außenschornstein	x	x
11	RTFOC00226	Tube alimentazione acqua	Tube alimentation eau	Water feeding pipe	Versorgungsrohr	x	x
12	RTFOC00120	Regolatore elettrovalvola 0,25	Régulateur electrovanne 0,25	Solenoid valve regulator 0,25	E-Ventil regler 0,25	x	x
13	RTFOC00022	Elettrovalvola 1 vie	Electrovanne 1 voies	Solenoid valve 1 way	E-Ventil	x	x
14	RTCP900088	Bicone per tubo Ø 14	Bicone pour tube Ø 14	Bicone for pipe Ø 14	Zweikegel Ø 14	x	x
15	RTCP900089	Calotta per tubo Ø 14	Ecrou pour tube Ø 14	Nut for pipe Ø 14	Mutter für Schlauch Ø 14	x	x
16	PAFOC00204	Tube scarico acqua	Tube de decharge de l'eau	Water discharge pipe	Wasserablaßrohr	x	x
17	PAFOC00207	Deviatore fumi	Aiguilleur des fumées	Throttle	Rauchabweiser	x	x
18	GAFOC00108	Brucciato boiler	Brûleur	Burner	Brenner	x	x
19	RTCP900087	Nipples 1/2"-M20	Nipples 1/2"-M20	Nipples 1/2"-M20	Nippel 1/2"-M20	x	x
20	RTFOC00136	Rubinetto scarico	Robinet de decharge	Water discharge pipe	Ablaßhahn	x	x
21	PACP800010	Tube flessibile	Tube flexible	Flexible pipe	Wasserablaßrohr	x	x
22	RTFOC00138	Asta rubinetto boiler	Antenne robinet de decharge	Tap rod	Ablaßhahn Stange	x	x
23	RTFOC00056	Manopola scarico condensa.	Manette évacuation condens.	Moisture drain knob	Drehknopf Kondenswaaerablaß	x	x
24	RTCP800013	Controdado 1/2"	Countre écrou 1/2"	Lock nut 1/2"	Gegenmutter 1/2"	x	x
25	RTCP800012	Supporto iniettore	Support injecteur	Injector support	Einspritzerrhalterung	x	x
26	RTBF800137	Bicono Ø 14	Bicone Ø 14	Bicone Ø 14	Zweikegel Ø 14	x	x
27	RTBF800015	Calotta Ø 14	Ecrou pour tube Ø 14	Nut for pipe Ø 14	Mutter für Schlauch Ø 14	x	x
28	RTFOC00206	Iniettore Ø 1,55 per GPL	Injecteur Ø 1,55 pour GPL	Injector GPL Ø 1,55	Flüssiggas-Einspritzer Ø 1,55	x	x
28	RTFOC00205	Iniettore Ø 2,40 gas metano	Injecteur veilleuse Ø 2,40	Methane pilot injector Ø 2,40	Methangas-Einspritzer Ø 2,40	x	x
29	GAFOC00115	Camera di combustione	Chambre de combustion	Combustion chamber	Brennkammer	x	x
30	RTBF900054	Visore con vetro	Douille	Viewer	Monitor	x	x
31	PAFOC00221	Coperchio ispezione boiler	Couvercle du bouilleur	Boiler cover	Topfdeckel	x	x
32	PAFOC00210	Sostegno boiler	Support du bouilleur	Boiler support	Boilerhalterung	x	x
33	MPISO00012	Pannello isolante	Panneau isolant	Insulating panel	Isolier tafel	x	x
34	GAFOC00112	Camino interno	Cheminée intérieur	Internal chimney	Innenschornstein	x	x
34	GAFOC00105	Camino interno	Cheminée intérieur	Internal chimney	Innenschornstein	x	
35	RTCU900217	Raccordo + bicone Ø 6	Ecrou et bicone Ø 6	Nut and bicone Ø 6	Mutter und Zweikegel Ø 6	x	x
36	PAFOC00214	Tube alimentazione pilota	Tube pour veilleuse	Pilot pipe	Pilotbrennerrohr	x	x
37	PAFOC00213	Tube alimentazione bruciatore	Tube alimentation du brûleur	Burner feeding pipe	Brennerversorgungsrohr	x	x
38	RTCP900087	Nipples 1/2"-M20	Nipples 1/2"-M20	Nipples 1/2"-M20	Nippel 1/2"-M20	x	x
39	RTCU800183	Bicono Ø 6	Bicone Ø 6	Bicone Ø 6	Zweikegel Ø 6	x	x
40	RTCP800038	Raccordo tubo pilota	Raccord pour tube veilleuse	Fitting ffor pilot pipe	Mutter Ø 6	x	x
41	RTFOC00100	Rampa	Guarnizione	Gasket	Dichtung	x	x
42	RTFOC00204	Rampa alimentazione	Collecteur d'alimentation	Oven collector	Speiserampe	x	x

TAV.217		Boiler gas	Bouilleur gaz	Gas boiler	Gasboiler	FGM060/061	FGM100/101
	Codice	Denominazione	Denominaton	Denominaton	Bezeichnung		
43	RTCP800034	Corpo pilota	Corps veilleuse	Pilot body	Pilotbrenner	×	×
44	RTFOC00241	Termocoppia 100cm	Thermocouple 100cm	Thermocouple 100cm	Thermoelement 100cm	×	×
45	RTCP800033	Candela d'accensione	Bugie d'allumage	Spark plug	Zündkerze	×	×
46	RTCU900215	Raccordo candela pilota	Raccord pour tube veilleuse	Fitting for pilot spark plug	Anschlußstück	×	×
47	RTFOC00128	Cavo accensione	Cable d'allumage	Lighting cable	Zündkabel	×	×
48	RTCP800041	Iniettore pilota Ø 0,19 per GPL	Injecteur veilleuse Ø 0,19 pour GPL	GPL pilot injecteur Ø 0,19	Flüssiggas-Einspritzer Ø 0,19	×	×
48	RTCP800040	Iniettore pilota Ø 0,36 gas met.	Injecteur veilleuse Ø 0,36 pour méthane	Methane pilot injector Ø 0,36	Methangas-Einspritzer Ø 0,36	×	×
49	RTFOC00213	Guarnizione valvola peso	Guarniture valve	Valve gasket	Dichtung	×	×
50	RTFOC00212	Valvola peso	Valve	Valve	Ventil	×	×
51	MPGOM10T00	Tube gomma Ø 10x17	Tuyau Ø 10x17	Pipe Ø 10x17	Rohr Ø 10x17	×	×
52	PAFOC800062	Squadretta portatermostato	Egierre de fixation thermostat	Bracket to fix thermostat	Winkel	×	×
53	RTFOC00275	Termostato elettrico	Thermostat	Thermostat	Thermostat	×	×
54	RTMIN00221	Fascetta Ø 14-22	Collier Ø 14-22	Clamp Ø 14-22	Windel Ø 14-22	×	×
55	RTFOC00203	Elettrovalvola 2 vies	Electrovanne 2 voies	Solenoid valve 2 ways	E-Ventil	×	×
56	RTFOC00145	Regolatore elettrovalvola 1,20	Regulateur electrovanne Ø 1,20	Solenoid valve regulator Ø 1,20	E-Ventil Ø 1,20	×	×



TAV.218		Apparecchiature elettriche	Appareillages électriques	Electrical equipment	Elektrogeräte	FGM060/061	FGM100/101
	Codice	Denominazione	Denominaton	Denominaton	Bezeichnung		
1	RTFOC00055	Manopola comando	Manette de comande	Control knob	Steuerdrehknopf	×	×
2	RTCU800066	Regolatore d'energia	Régulateur d'énergie	Power regulator	Energierегler	×	×
3	RTCU900072	Lampada spia gialla	Lampe témoin jaune	Yellow warning lamp	Gelbe konntrolleuchtenbirne	×	×
4	RTFOC00134	Commutatore	Commutateur du four	Oven warning lamp	Kommutator	×	×
5	RTFOC00030	Timer	Timer	Timer	Timer	×	×
6	RTFOC00029	Termostato elettronico	Thermostat électronique	Electronic thermostat	Elektra-Thermostat	×	×
7	RTFOC00033	Pulsante 2 velocità	Bouton 2 vitesses	Two-speed button	Taste 2 geschwind	×	×
8	RTFOC00032	Pulsante luce	Bouton lumière	Light button	Lichttaste	×	×
9	RTFOC00147	Termostato	Thermostat	Thermostat	Thermostat	×	×
10	RTFOC00230	Termostato Limit	Thermostat Limit	Limit thermostat	Limit Thermostat	×	
10	RTFOC00231	Termostato Limit	Thermostat Limit	Limit thermostat	Limit Thermostat		×
11	RTFOC00046	Ronzatore	Bourdonneur	Buzzer	Summer	×	×
12	RTFOC00044	Termica 0,8A	Interrupteur thermique 0,8A	Overload switch 0,8A	Thermoschutzschalter 0,8A	×	
12	RTFOC00129	Termica 0,6A	Interrupteur thermique 0,6A	Overload switch0,6A	Thermoschutzschalter 0,6A		×
13	RTFOC00045	Termica3A	Interrupteur thermique 3A	Overload switch 3A	Thermoschutzschalter 3A	×	
13	RTFOC00074	Termica 1,8A	Interrupteur thermique 1,8A	Overload switch 1,8A	Thermoschutzhalter1,8A		×
14	RTFOC00053	Condensatore	Condensateur	Condensator	Kondensator	×	×
15	RTFOC00146	Centralina boiler	Boîte de commandes électronique	Electronic control box	Steuereinheit	×	×
16	RTFOC00042	Ciclatore 50Hz	Cycleur 50Hz	Buzzer 50Hz	Taktvorrichtung 50Hz	×	×
17	RTBF800129	Accenditore elettrico	Allumage électrique	Electronic control box	Elektrischer Anzünder	×	×
18	RTFOC00041	Contatti ausiliari	Contacts ausiliaires	Auxiliary contacts	Nebenkontakte	×	×
19	RTFOC00171	Relais	Relais	Relais	Relais	×	×
20	RTFOC00024	Fusibile 2,5A	Fusibile 2,5A	Fuse 2,5A	Schmelzsicherung 2,5A	×	×
21	RTFOC00048	Portafusibile	Porte-fusibile	Fuse-holder	Sicherungsschalter	×	×
22	RTFOC00047	Fusibile 0,1A	Fusibile 0,1A	Fuse 0,1A	Schmelzsicherung 0,1A	×	×
23	RTFOC00034	Termocoppia 100cm	Thermocouple 100cm	Thermocouple 100cm	Thermoelement 100cm	×	×
24	PAFOC00029	Supporto componenti elettrici	Support composants électriques	Electronic components support	Halterung elektrischer Komponenten	×	×
25	RTFOC00039	Transformatore 220/12V	Transformateur el. 220/ 12V	Electric transformer 220/12V	Transformator 220/12V	×	×
26	RTFOC00023	Antidisturbo radio	Antiparasitage radio	Antijamming	Funkenstörung	×	×
27	RTFOC00144	Relais boiler	Relais bouilleur	Boiler relais	Relais	×	×
28	RTBF900045	Morsetteriera 6 poli	Groupe de com. des cables	Terminal bloc 6 poles	Klemmbrett 6 polig	×	×
29	RTFOC00130	Sonda al cuore 55cm	Sonde thermique 55cm	Thermic probe 55cm	Wärmefühler 55cm	×	×
29	RTFOC00131	Sonda al cuore 82cm	Sonde therique 82cm	Thermic probe 82cm	Wärmefühler 82 cm	×	×
30	RTFOC00232	Termostato Limit	Thermostat limit	Limit thermostat	Limit Thermostat	×	×
31	RTFOC00098	Prolunga valvola gas	Prolongateur valve	Valve sit extension	Verlängerung Gasventil	×	×
32	RTFOC00095	Valvola gas	Valve gas	Valve sit	Gasventil	×	×



TAV.204		Supporto forno	Support du four	Oven support	Ofenhalterung	
	Codice	Denominazione	Denominaton	Denominaton	Bezeichnung	
1	GAFOC00077	Basamento supporto forno	Soubassement du support	Oven support base	Untergestell	×
2	PAFOC00133	Ripiano supporto forno	Fonde support du four	Oven support bottom	Boden	×
3	RTFOC00119	Piedino	Pied	Foot	Inox-Fuß	×
4	RTFOC00121	Rinforzo gamba	Rentort jambe	Leg bracing	Verstärkung	×
5	PAFOC00134	Gamba sinistra	Jambe gauche	Left leg	Linker Fuß	×
6	RTFOC00122	Griglia laterale	Grille latérale	Lateral grate	Seitenrost	×
7	PAFOC00135	Gamba destra	Jambe droite	Right leg	Rechter Fuß	×
8	RTBF700043	Attacco griglia	Attaque grille	Grate connection	Seitenanschluß	×