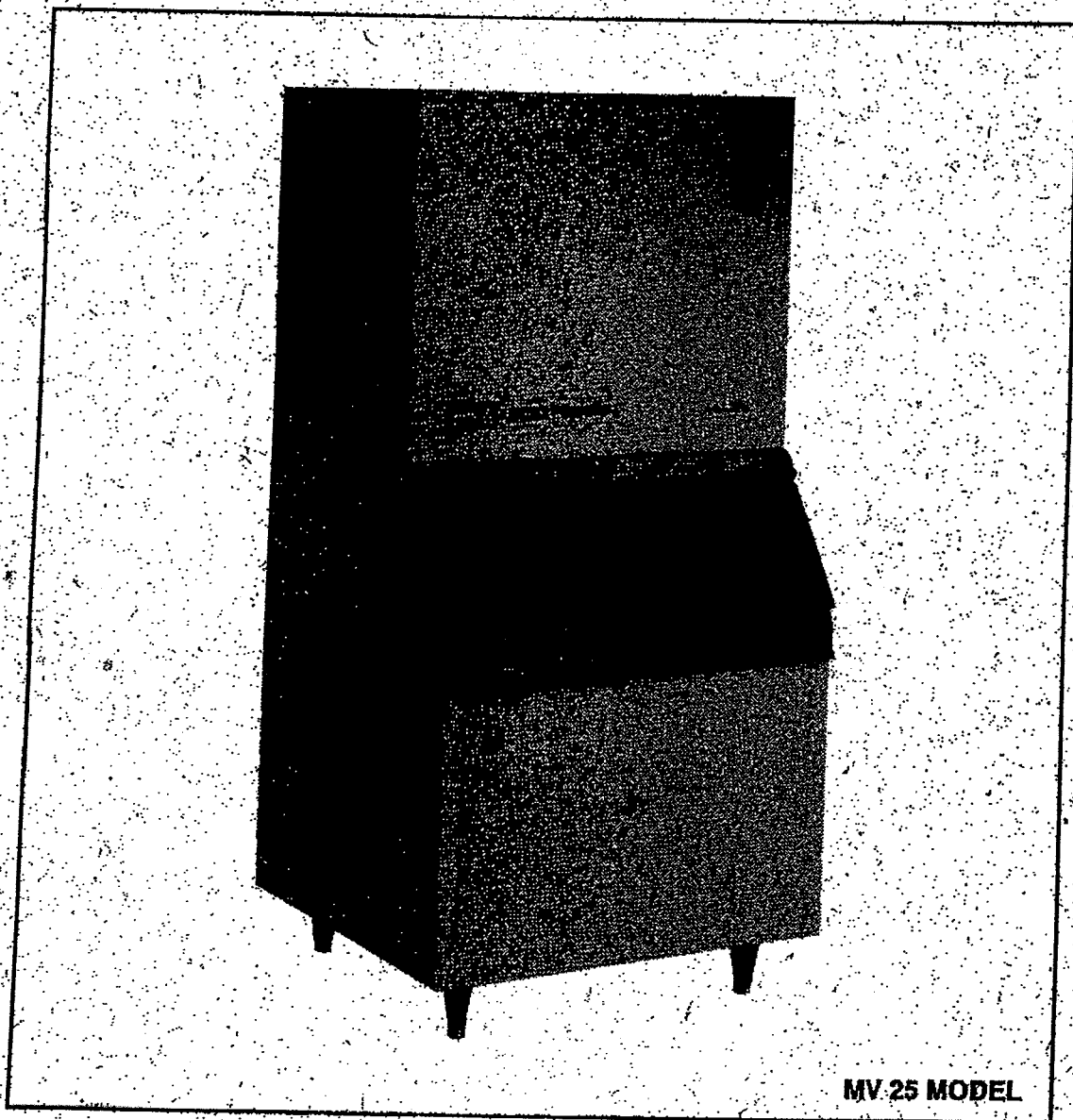


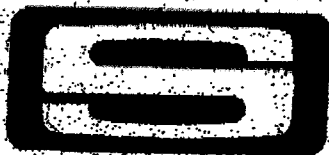
# MV 18 - MV 25

## R 22 - VERSIONS

Spare parts list  
Catalogo ricambi  
Catalogues pièces détachées  
Ersatzteilkatalog

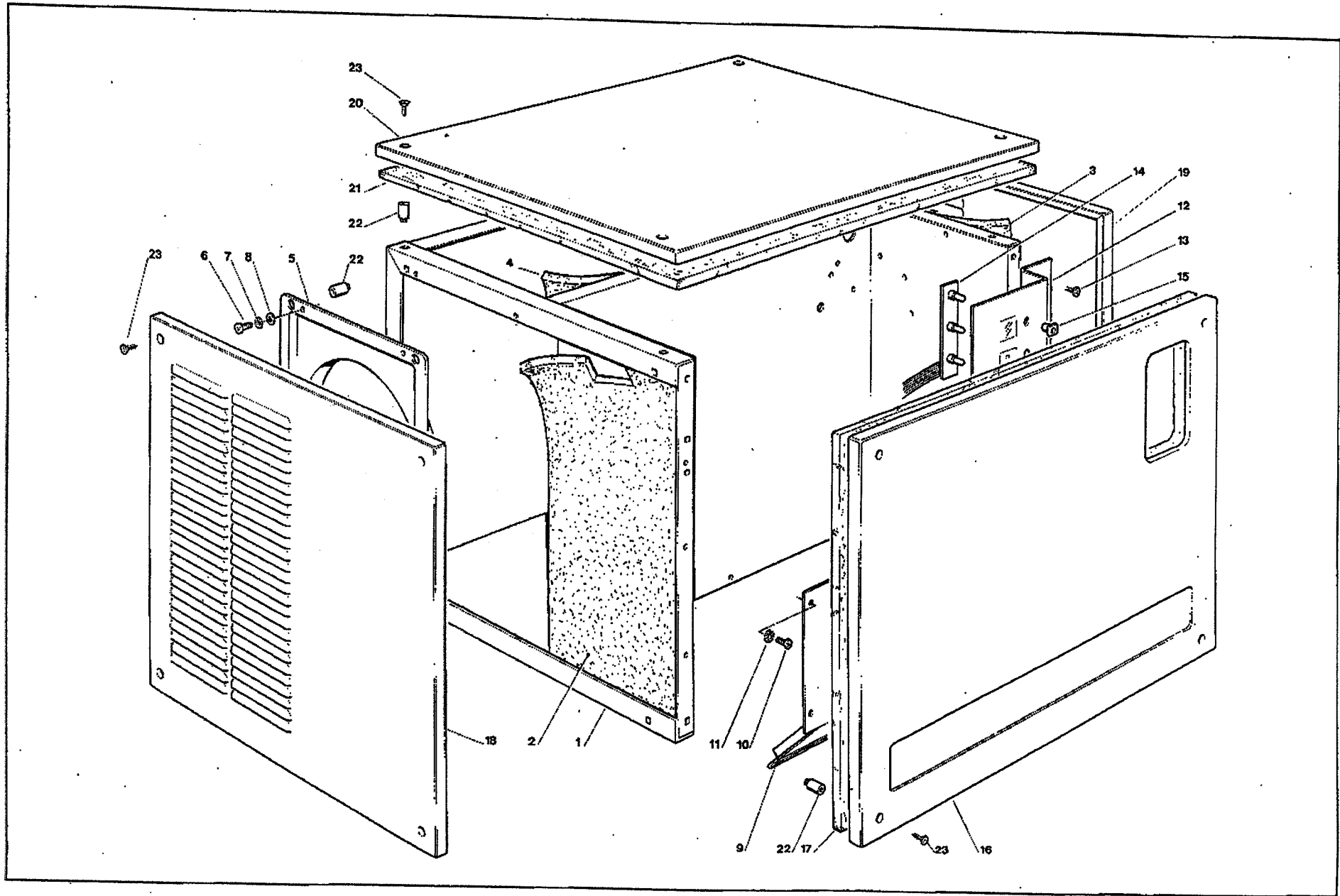


MV 25 MODEL



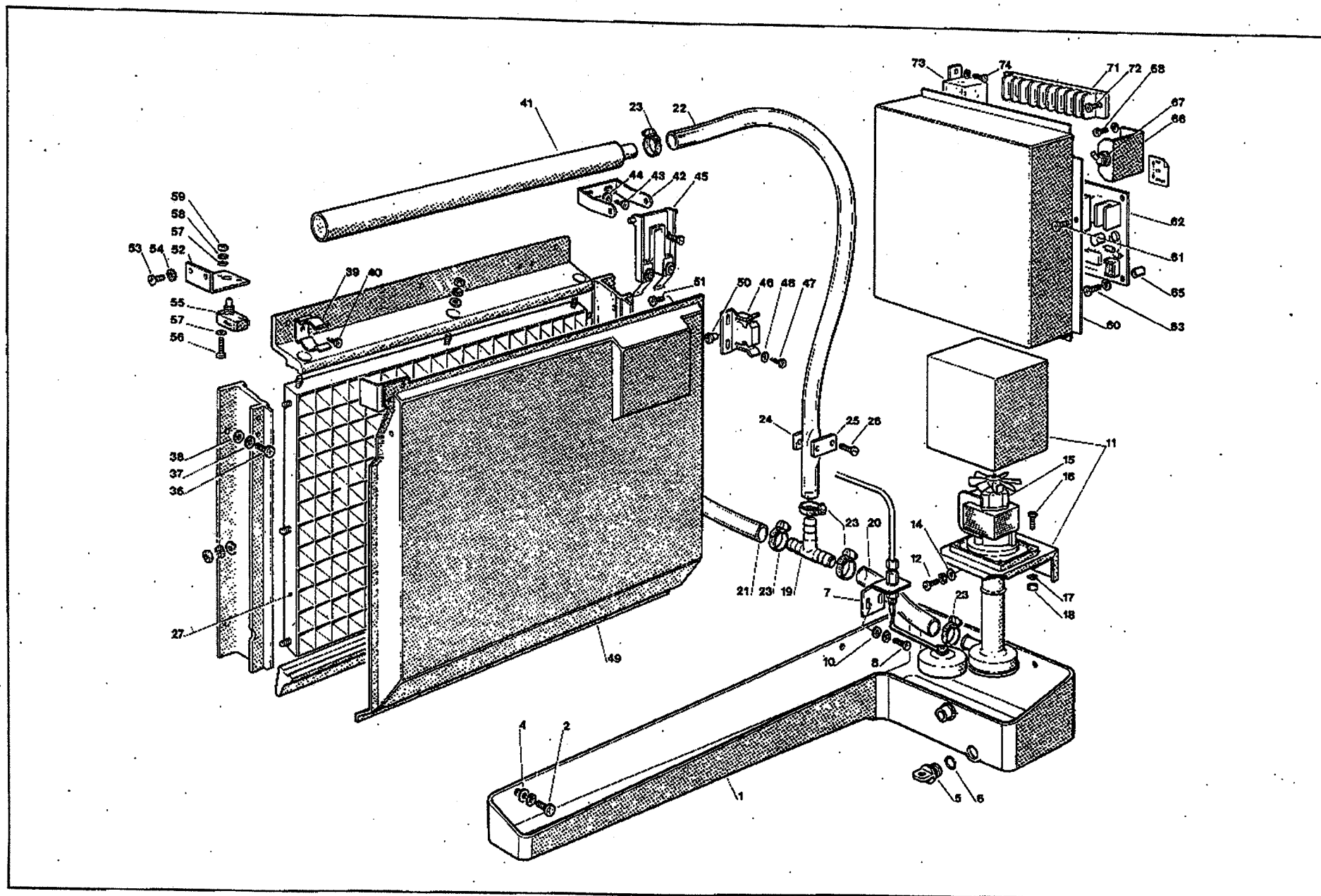
**SCOTSMAN®**

**ICE SYSTEMS**



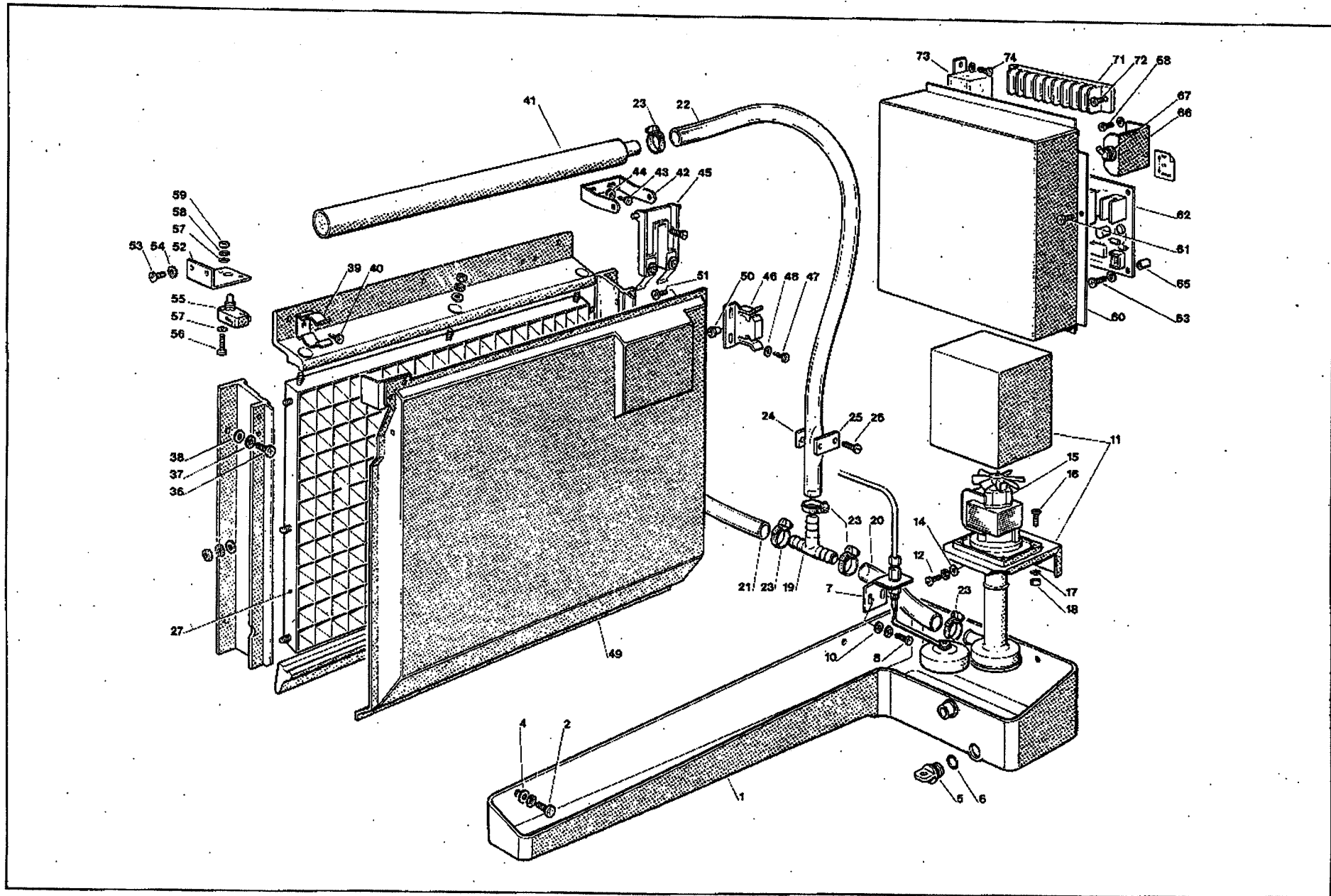
MV 18 - MV 25 - CABINET ASSEMBLY - ASSIEME MOBILE - ENSEMBLE CAROSSERIE - AUSSENWAENDE

ITEM NO POS NO REP. NO REF. NO	PART NO - CODICE REFERENCE - STUECK NR		DESCRIPTION	DESCRIZIONE	DESIGNATION	BESCHREIBUNG
	MV18	MV 25				
1	CM 81453000	CM 81453065	UNIT CHASSIS	ASS; TELAIO	ENS. CHASSIS	GEHAEUSETEILE
2	CM 25550037	CM 25550037	INSULATION	ISOLAMENTO SX	ISOLATION GAUCHE	ISOLIERUNG LINKS
3	CM 25550038	CM 25550038	INSULATION	ISOLAMENTO DX	ISOLATION DROITE	ISOLIERUNG RECHTS
4	CM 25550036	CM 25550036	INSULATION	ISOLAMENTO	ISOLATION	ISOLIERUNG
5	CM 25168758	CM 25168768	SHROUD	CONVOGLIATORE	CONVECTEUR DU CONDENSEUR	ACHAUFEL VERSTEIFUNG BAND
6	CM 12768410	CM 12768410	SCREW	VITE	VIS	SCHRAUBE
7	CM 12540730	CM 12540730	LOCK WASHER	ROSETTA	RONDELLE	SCHEIBE
8	CM 12521530	CM 12521530	WASHER	RONDELLA	RONDELLE	SCHEIBE
9	CM 81453112	CM 81453112	ICE DEFLECTOR	DEFLETTORE CUBETTI	DEVERSOIR GLACONS	EISWURFGLEITBAHN
10	CM 12726405	CM 12726405	SCREW	VITE	VIS	SCHRAUBE
11	CM 12540730	CM 12540730	LOCK WASHER	ROSETTA	RONDELLE	SCHEIBE
12	CM 25570197	CM 25570197	S.S. MONITORING CONSOLE PANEL	PANNELLO DI SEGNALAZIONE IN ACCIAIO INOX	TABEAU DE SIGNALISATION ACIER INOX	EDELSTHALÜBERWACHUNGKONSOLE
13	CM 12726405	CM 12726405	SCREW	VITE	VIS	SCHRAUBE
14	CM 33580024	CM 33580024	MONITORING LEDS ASSY	ASSIEME LED DI SEGNALAZIONE	ENSEMBLE LED DE SIGNALISATION	SIGNAL LED EINHEIT
15	CM 33500026	CM 33500026	LED FITTING	PORTA LED	PIECE DE FIXATION	LED PABSTÜCK
16	CM 25550230	CM 25550232	FRONT PANEL S.S.	PANNELLO FRONTALE ACC. INOX	PANNEAU AVANT ACIER INOX	EDELSTHALVORDERWAND
17	CM 25950062	CM 25550063	INSULATION	ISOLAMENTO	ISOLATION	ISOLIERUNG
18	CM 25330593	CM 25330603	LEFT SIDE PANEL S.S.	PANNELLO LAT. SX ACC. INOX	PANNEAU GAUCHE ACIER INOX	EDELSTHAL LINKSWAND
19	CM 25330591	CM 25330601	RIGHT SIDE PANEL S.S.	PANNELLO LAT. DX ACC. INOX	PANNEAU DROITE ACIER INOX	EDELSTHAL RECHTSWAND
20	CM 25160501	CM 25160501	TOP PANEL S.S.	PANNELLO SUPERIORE ACC. INOX	PANNEAU DESSUS ACIER INOX	EDELSTHAL ABDECKHAUBE
21	CM 25550043	CM 25550043	INSULATION	ISOLAMENTO	ISOLATION	ISOLIERUNG
22	CM 19358001	CM 19356001	PLASTIC CLIP	MADREVITE	CLIP EN PLASTIQUE	PLASTICHE MUTTER
23	CM 12727965	CM 12727965	SCREW	VITE	VIS	SCHRAUBE

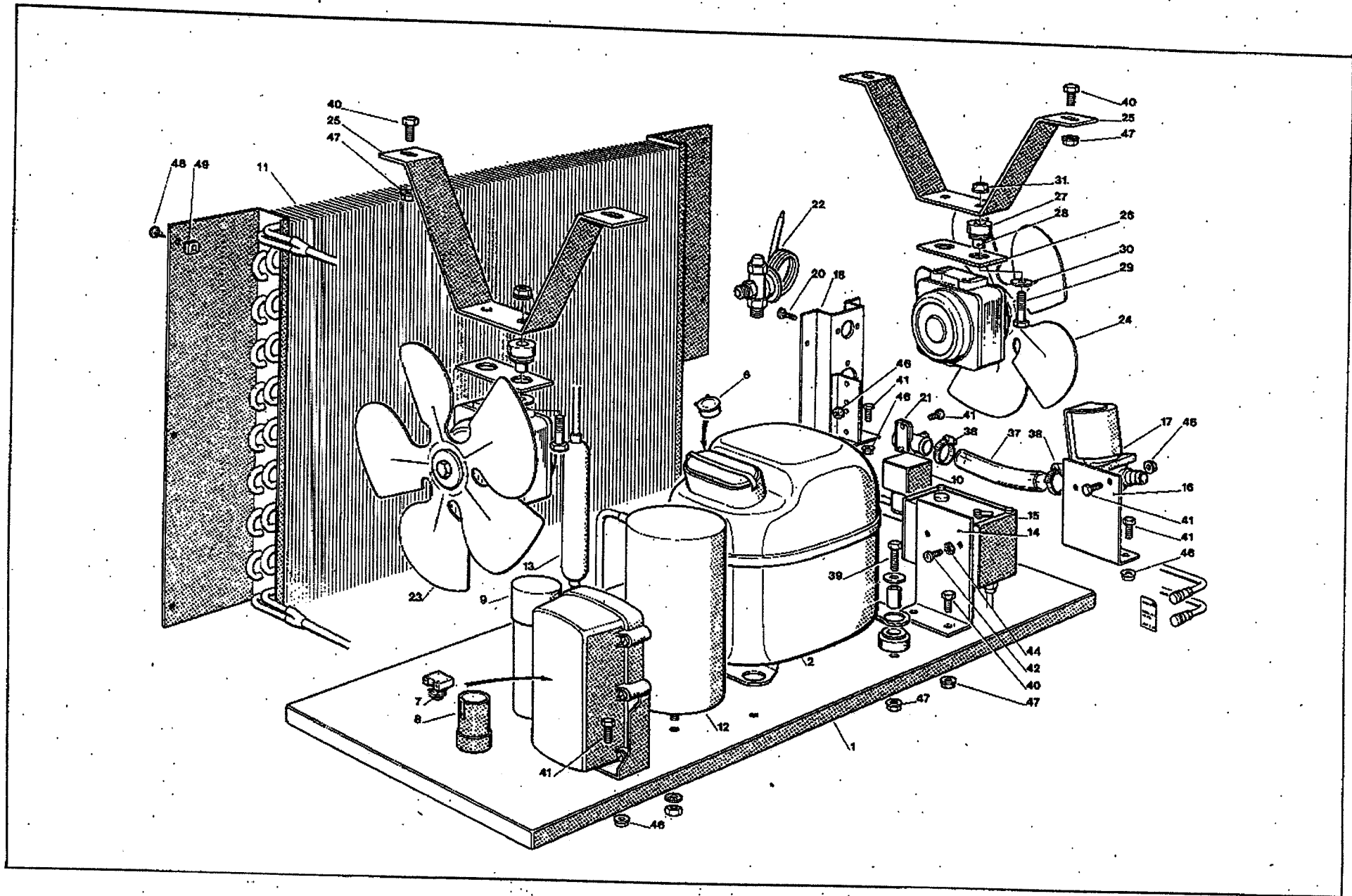


**MV 18 - MV 25 - ICE MAKING SYSTEM AND CONTROL BOX - GRUPPO EVAPORATORE E SCATOLA ELETTRICA**  
**GROUP EVAPORATEUR ET BOITIER DE COMMANDE - VERDAMPFER UND ANSCHLUSSKASTEN**

ITEM NO POS NO REP. NO REF. NO	PART NO - CODICE REFERENCE - STUECK NR		DESCRIPTION	DESCRIZIONE	DESIGNATION	BESCHREIBUNG
	MV18	MV 25				
1	CM 81453010	CM 81453010	WATER RESERVOIR	VASCHETTA ACQUA	RÉSERVOIR D'EAU	WASSERBECKEN
2	CM 12768410	CM 12768410	SCREW	VITE	VIS	SCHRAUBE
4	CM 12521530	CM 12521530	WASHER	RONDELLA	RONDELLE	SCHRAUBE
5	CM 42062035	CM 42062035	DRAIN PLUG	TAPPO SCARICO	BOUCHON DE VIDANGE	SCHEIBE
6	CM 41020448	CM 41020448	O RING	GUARNIZIONE OR	JOINT TORIQUE	VERSCHLUßSCHRAUBE FÜR WASSER BECKEN
7	02.2217.02	02.2217.02	FLOAT VALVE	GALLEGGIANTE	VANNE A FLOTTEUR	O RING
8	CM 12726405	CM 12726405	SCREW	VITE	VIS	SCHWIMMERTENTIL
10	CM 12521530	CM 12521530	WASHER	RONDELLA	RONDELLE	SCHRAUBE
11	CM 81453101	CM 81453101	PUMP BRACKET	SUPPORTO POMPA	SUPPORT POMPE	SCHEIBE
12	CM 12726405	CM 12726405	SCREW	VITE	VIS	PUMPENTRAEGER
14	CM 12521530	CM 12521530	WASHER	RONDELLA	RONDELLE	SCHRAUBE
15	793113.09	793113.09	WATER PUMP	POMPA	POMPE A EAU	SCHEIBE
16	CM 12768410	CM 12768410	SCREW	VITE	VIS	WASSERPUMPE
17	CM 12540730	CM 12540730	LOCKWASHER	ROSETTA	RONDELLE	SCHRAUBE
18	CM 12290805	CM 12290805	NUT	DADO	ECROU	SCHEIBE
19	CM 19612502	CM 19612502	T FITTING	RACCORDO A "T"	RACCORD E TÉ	MUTTER
20	CM 25790857	CM 25790857	WATER TUBE	TUBO	TUYAU	T-STUECK
21	CM 25790856	CM 25790856	WATER TUBE	TUBO	TUYAU	WASSERSCHLAUCH
22	CM 25790832	CM 25790880	WATER TUBE	TUBO	TUYAU	WASSERSCHLAUCH
23	CM 19280600	CM 19280600	CLAMP	FASCETTA	COLLIER	WASSERSCHLAUCH
24	CM 25570410	CM 25570410	PLATE	PIASTRINA	PLAQUETTE	KLEMME
25	CM 25570411	CM 25570411	PLATE	PIASTRINA	PLAQUETTE	PLATTE
26	CM 19940100	CM 19940100	SCREW	VITE	VIS	PLATTE
27	CM 81453004 CM 81453226	CM 81453069 CM 81453228	EVAPORATOR ASSY EVAPORATOR ASSY - HALD ICE	ASSIEME EVAPORATORE ASS. EVAPORATORE - MINI CUBETTO	ENS. EVAPORATEUR ENS. EVAPORATEUR - MINI GLAÇONS	VERDAMPFEREINHEIT VERDAMPFEREINHEIT MINIWÜRFEL
36	CM 12768410	CM 12768410	SCREW	VITE	VIS	SCHRAUBE
37	CM 12540730	CM 12540730	LOCK WASHER	ROSETTA	RONDELLE	SCHEIBE
38	CM 12521530	CM 12521530	WASHER	RONDELLA	RONDELLE	SCHEIBE
39	CM 25474608	CM 25474608	METAL CLIP	SUPPORTO	SUPPORT	UMKLAMMERN
40	CM 12728106	CM 12728106	SCREW	VITE	VIS	SCHRAUBE
41	CM 81453009	CM 81453009	WATER DISTRIB. TUBE	BARRA IRRORATRICE	RAMPE D'ARROGAGE	WASSERSPRUEHEINHEIT
42	CM 25725450	CM 25725450	SENSOR DEVICE BRKT	SUPPORTO DISPOSITIVO SENSORI	SUPPORT DISPOSITIF CAPTEUR	EISMEßFÜHLER KLAMMERN
43	CM 12728106	CM 12728106	SCREW	VITE	VIS	SCHRAUBE



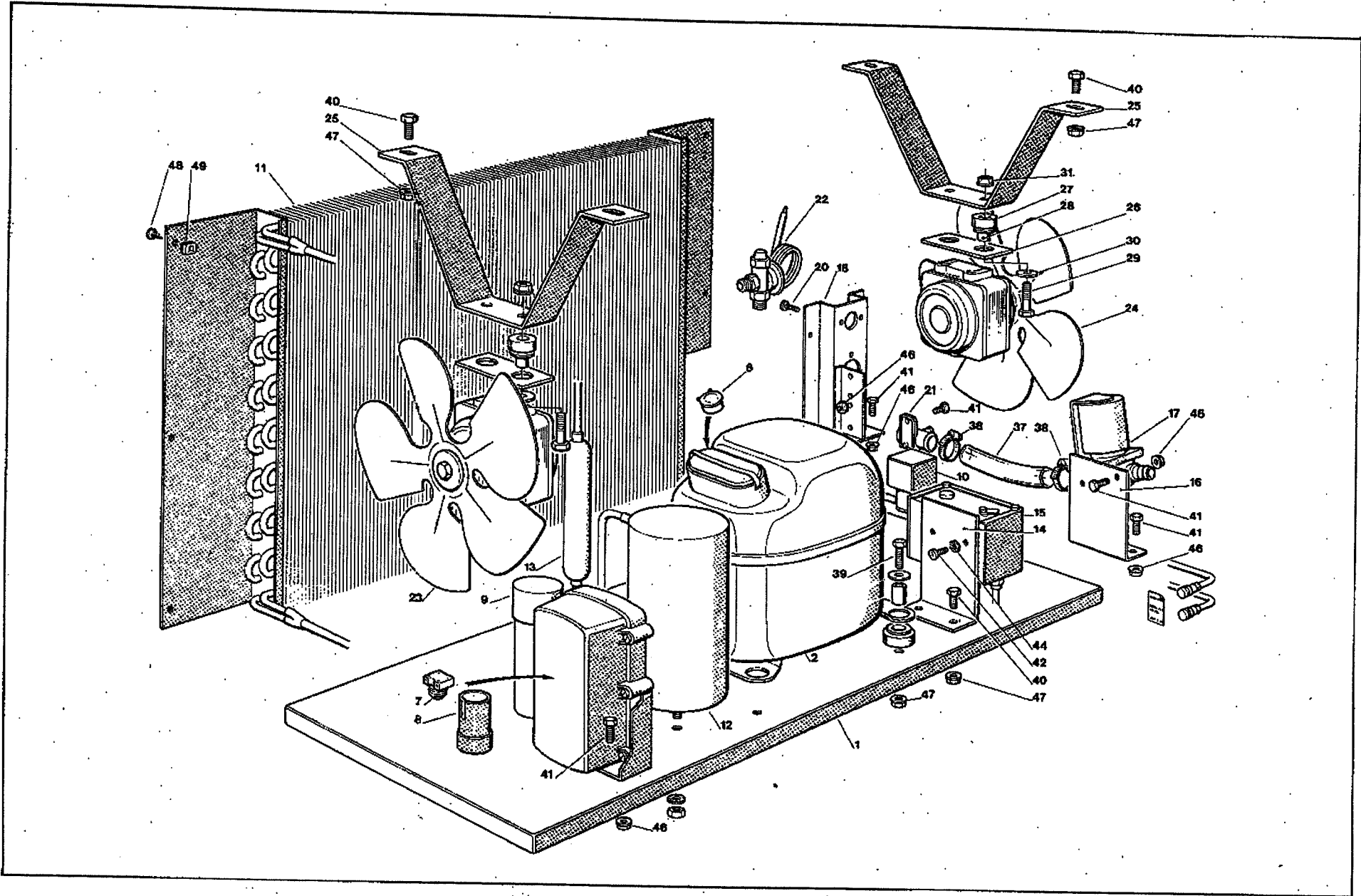
46	CM 25728470	CM 25728470	DEFLECTOR COVER/BRACKET	SUPPORTO COPERCHIO/DEFLETTORE	SUPPORT COUVERCLE/DEFLECTEUR	LENKWAND KLAMMERN
47	CM 12728106	CM 12728106	SCREW	VITE	VIS	SCHRAUBE
48	CM 12521530	CM 12521530	WASHER	RONDELLA	RONDELLE	SCHEIBE
49	CM 81453008	CM 81453072	DEFLECTOR/COVER	DEFLETTORE/COPERCHIO	COUVERCLE/DEFLECTEUR	LENKWAND
50	CM 25560133	CM 25560133	PIN	PERNO	PIVOT	STIFT
51	CM 12728101	CM 12728101	SCREW	VITE	VIS	SCHRAUBE
52	CM 25725454	CM 25725454	BRACKET	SUPPORTO	SUPPORT	ECKIGE KLAMMER
53	CM 12728405	CM 12728405	SCREW	VITE	VIS	SCHRAUBE
54	CM 12540730	CM 12540730	LOCKWASHER	ROSETTA	RONDELLE	SCHEIBE
55	CM 19410207	CM 19410207	N.C. MICROSWITCH	N.C. INTERRUPTORE	N.F. MICROINTERRUPTEUR	N.C. MIKRO-SCHALTER
56	CM 12726056	CM 12726056	SCREW	VITE	VIS	SCHRAUBE
57	CM 12521520	CM 12521520	WASHER	RONDELLA	RONDELLE	SCHEIBE
58	CM 12540720	CM 12540720	LOCKWASHER	ROSETTA	RONDELLE	SCHEIBE
59	CM 12290795	CM 12290795	NUT	DADO	ECROU	MUTTER
60	CM 25160502	CM 25160502	ELECTR. BOX COVER	COPERCHIO SC. ELETTRICA	COUVERCLE BOITIER ELECTR.	ANSCHLUSSKASTEN GEHAUSE
61	CM 12726405	CM 12726405	SCREW	VITE	VIS	SCHRAUBE
62	CM 33590043	CM 33590043	ELECTRONIC CONTROL BOARD	SCHEDA ELETTRONICA	CARTE ELECTRONIQUE	STEUERKARTE
63	CM 12726408	CM 12726408	SCREW	VITE	VIS	SCHRAUBE
65	CM 33801000	CM 33801000	SPACER	DISTANZIERS	ENTRETOISE	ENTFERNSTUECK
66	CM 25725456	CM 25725456	BRACKET	SUPPORTO	SUPPORT	TRAEGER
67	CM 33400019 CM 33400027	CM 33400019 CM 33400027	SWITCH SWITCH	INTERRUPTORE INTERRUPTORE	INTERRUPTEUR INTERRUPTEUR	SCHALTER SCHALTER
68	CM 12726405	CM 12726405	SCREW	VITE	VIS	SCHRAUBE
71	CM 33489251	CM 33489251	TERMINAL BLOCK	MORSETTIERA	BORNIER	ANSCHLUSSKASTEN
72	CM 12726408	CM 12726408	SCREW	VITE	VIS	SCHRAUBE
73	630118.00	630118.00	CONTACTOR	TELERUTTORE	CONTACTEUR	MAGNETSCHALTER
74	CM 12726405	CM 12726405	SCREW	VITE	VIS	SCHRAUBE



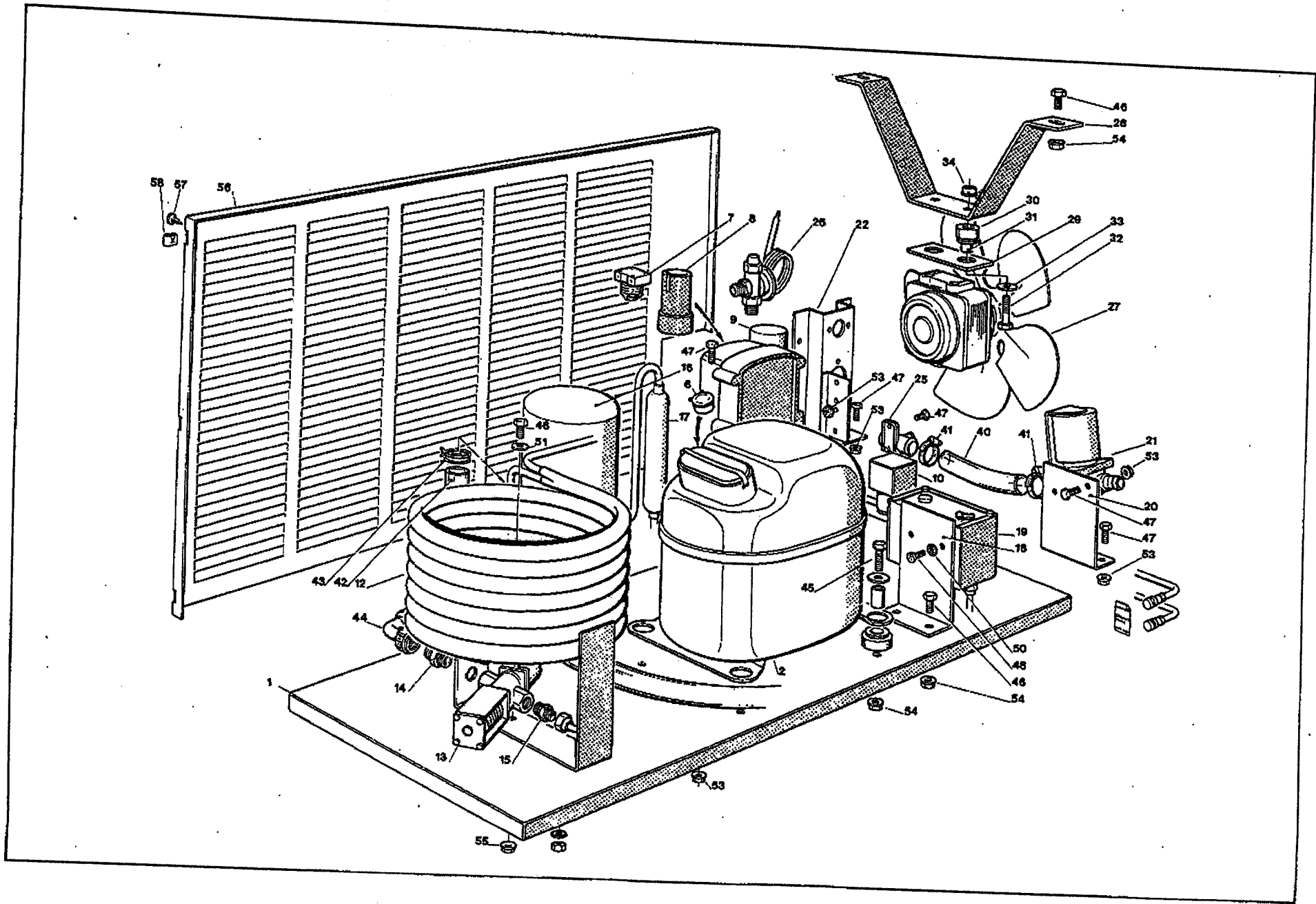


**MV 18 - MV 25 - CONDENSING UNIT-AIR COOLED - UNITA' CONDENSATRICE-RAFFR. ARIA**  
**UNITE DE CONDENSATION-REFROID. PAR AIR - LUFTGEKUEHLTES KÄLTEAGGREGAT**

ITEM NO POS NO REP. NO REF. NO	PART NO - CODICE REFERENCE - STUECK NR		DESCRIPTION	DESCRIZIONE	DESIGNATION	BESCHREIBUNG
	MV18	MV 25				
1	CM 81453000	CM 81453065	CHASSIS ASSY	ASS. TELAIO	ENS. CHASSIS	GEHAEUSETEILE
2	CM 19165528 CM 19165481	CM 19165519	COMPRESSOR ASSY - UNITÉ HERMETIQUE COMPRESSOR ASSY - ELECTROLUX	ASS. COMPRESSORE - UNITÉ HERMETIQUE ASS. COMPRESSORE - ELECTROLUX	ENS. COMPRESSEUR - UNITÉ HERMETIQUE ENS. COMPRESSEUR - ELECTROLUX	KOMPRESSOREINHET - UNITÉ HERMETIQUE KOMPRESSOREINHET - ELECTROLUX
6	CM 19560163	--	PROTECTOR - UNITÉ HERMETIQUE PROTECTOR - ELECTROLUX	PROTETTORE - UNITÉ HERMETIQUE PROTETTORE - ELECTROLUX	PROTECTEUR - UNITÉ HERMETIQUE PROTECTEUR - ELECTROLUX	SCHUTZVORRICHTUNG - UNITÉ HERMETIQUE SCHUTZVORRICHTUNG - ELECTROLUX
7	CM 19621677	CM 19621653	RELAY - UNITÉ HERMETIQUE RELAY - ELECTROLUX	RELE' - UNITÉ HERMETIQUE RELE' - ELECTROLUX	RELAIS - UNITÉ HERMETIQUE RELAIS - ELECTROLUX	RELAIS - UNITÉ HERMETIQUE RELAIS - ELECTROLUX
8	CM 19160567	CM 19180567	START CAPACITOR - UNITÉ HERMETIQUE START CAPACITOR - ELECTROLUX	CAPACITA' D'AVVIAMENTO - UNITÉ HERMETIQUE CAPACITA' D'AVVIAMENTO - ELECTROLUX	CONDENSAT. DEMARRAGE - UNITÉ HERMETIQUE CONDENSAT DEMARRAGE - ELECTROLUX	STARTKONDENSATOR - UNITÉ HERMETIQUE STARTKONDENSATOR - ELECTROLUX
9	CM 19150569	CM 19180564	RUN CAPACITOR - UNITÉ HERMETIQUE RUN CAPACITOR - ELECTROLUX	CAPACITA' DI MARCIA - UNITÉ HERMETIQUE CAPACITA' DI MARCIA - ELECTROLUX	CONDENSAT. PERMANENT - UNITÉ HERMETIQUE CONDENSAT PERMANENT - ELECTROLUX	BETRIEBSKONDENSATOR - UNITÉ HERMETIQUE BETRIEBSKONDENSATOR - ELECTROLUX
10	CM 19863034	CM 19863034	HOT GAS VALVE ASSY	ASS. VALVOLA GAS CALDO	ENS. VANNE GAZ CHAUDS	HEISSGASVENTIL
11	CM 19177050	CM 19177051	CONDENSER	CONDENSATORE	CONDENSEUR	KONDENSATOR
12	CM19635339	CM19635339	LIQUID RECEIVER	RICEVITORE DI LIQUIDO	BOUTEILLE LIQUIDE	FLÜSSIGKEITS SAMMLER
13	CM 19301230	CM 19301230	DRIER	FILTRO	DESHIDRATEUR	TROCKNER
14	CM 25725437	CM 25725437	BRACKET	SUPPORTO	SUPPORT	TRAEGER
15	CM 19550607	CM 19550607	PRESSURE SWITCH (FAN. CONT.)	PRESSOSTATO (COM. VENT.)	PRESSOSTAT H.P. (CONTR. VENT.)	PRESSOSTAT HOCHDRUCK (LUFTER MOTOR KONTR.)
16	CM 25725457	CM 25725457	BRACKET	SUPPORTO	SUPPORT	TRAEGER
17	CM 19865525	CM 19865525	WATER DRAIN VALVE	VALVOLA SCARICO ACQUA	VANNE DE VIDANGE D'EAU	WASSERABFLUSSVENTIL
18	CM 81453014	CM 81453014	METAL BRKT FOR CONNECTION FITTINGS	SUPPORTO RACCORDI DI COLLEGAMENTO	SUPPORT RACCORD DE BRANCHEMENT	ANSCHLUBSTÜCK KLAMMERN
20	CM 12725404	CM 12725404	SCREW	VITE	VIS	SCHRAUBE
21	CM 25690803	CM 25690803	DRAIN FITTING	RACCORDO SCARICO	RACCORD ÉVACUATION EAU	WASSERABFLUSSNIPPEL
22	CM 19870622	CM 19870626	THERM. EXP. VALVE	VALVOLA ESPANS. TERMOSTATICA	DETENDEUR	EXPANSION VENTIL
23-24	CM 18562058	CM 18562058	FAN MOTOR ASSY	ASS. MOTOVENTILATORE	ENS. MOTOVENTILATEUR	LUFTERMOTOR KOMPL
25	CM 25725455	CM 25725455	BRACKET	SUPPORTO	SUPPORT	TRAEGER
26	CM 25570190	CM 25570190	PLATE	PIASTRINA	PLAQUETTE	PLATTE
27	CM 19031000	CM 19031000	GROMMET/PADS	AMMORTIZZATORE	SILENT BLOCS	GUMMBUCHSE
28	CM 19060306	CM 19060306	SLEEVE	BUSSOLA	ENTRETOISE	BUCHSE
29	CM 12792099	CM 12792099	SCREW	VITE	VIS	SCHRAUBE
30	CM 12523050	CM 12523050	WASHER	RONDELLA	RONDELLE	SCHEIBE
31	CM 12292102	CM 12292102	NUT	DADO	ECROU	MUTTER
37	CM 25790826	CM 25790826	DRAIN TUBE	TUBO SCARICO	TUYAU ÉVACUATION	ABFLUSSROHR
38	CM 19281326	CM 19281326	CLAMP	FASCETTA	COLLIER	KLEMME
39	CM12792400	CM12792400	SCREW	VITE	VIS	SCHRAUBE
40	CM12791000	CM12791000	SCREW	VITE	VIS	SCHRAUBE

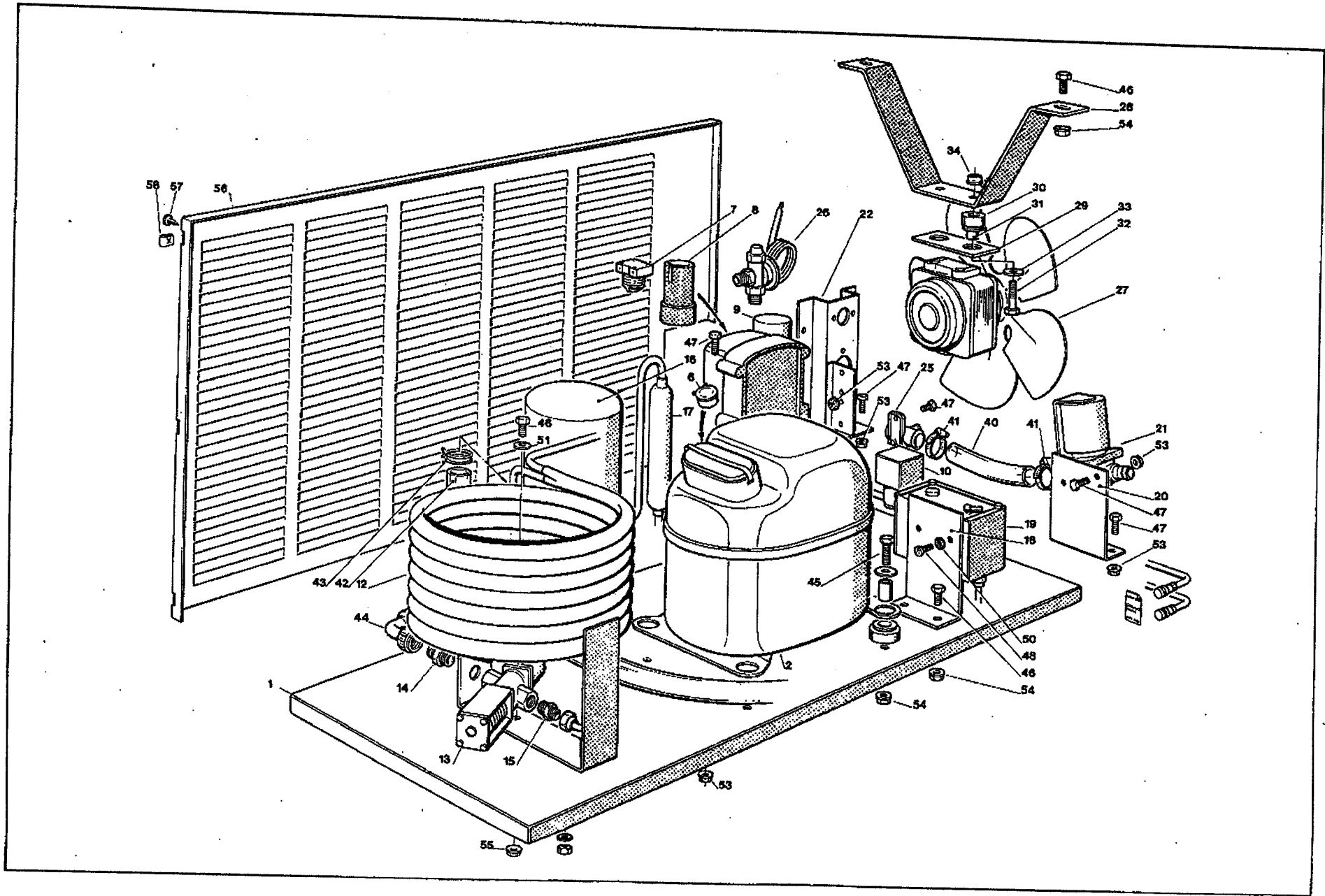


44	CM 12540020	CM 12540020	WASHER	RONDELLA	RONDELLA	SCHEIBE
45	CM 12291600	CM 12291600	NUT	DADO	ECROU	MUTTER
47	CM 12292102	CM 12292102	NUT	DADO	ECROU	MUTTER
48	CM 12728106	CM 12728106	SCREW	VITE	VIS	SCHRAUBE
49	CM 12436400	CM 12436400	NUT	DADO	ECROU	MUTTER



**MV 18 - MV 25 - CONDENSING UNIT-WATER COOLED - UNITA' CONDENSATRICE-RAFFR. AD ACQUA**  
**UNITE DE CONDENSATION-REFROID. PAR EAU - WASSER GEKUEHLTS KALTEAGGREGAT**

ITEM NO POS NO REP. NO REF. NO	PART NO - CODICE REFERENCE - STUECK NR		DESCRIPTION	DESCRIZIONE	DESIGNATION	BESCHREIBUNG
	MV18.	MV 25				
1	CM 81453000	CM 81453065	CHASSIS ASSY	ASS. TELAIO	ENS. CHASSIS	GEHAEUSETEILE
2	CM 19165528 CM 19165481	CM 19165519	COMPRESSOR ASSY - UNITÉ HERMETIQUE COMPRESSOR ASSY - ELECTROLUX	ASS. COMPRESSORE - UNITÉ HERMETIQUE ASS. COMPRESSORE - ELECTROLUX	ENS. COMPRESSEUR - UNITÉ HERMETIQUE ENS. COMPRESSEUR - ELECTROLUX	KOMPRESSOREINHET - UNITÉ HERMETIQUE KOMPRESSOREINHET - ELECTROLUX
6	CM 19660149 CM 19560163	-	PROTECTOR - UNITÉ HERMETIQUE PROTECTOR - ELECTROLUX	PROTETTORE - UNITÉ HERMETIQUE PROTETTORE - ELECTROLUX	PROTECTEUR - UNITÉ HERMETIQUE PROTECTEUR - ELECTROLUX	SCHUTZVORRICHTUNG - UNITÉ HERMETIQUE SCHUTZVORRICHTUNG - ELECTROLUX
7	CM 19621684 CM 19621677	CM 19621653	RELAY - UNITÉ HERMETIQUE RELAY - ELECTROLUX	RELE' - UNITÉ HERMETIQUE RELE' - ELECTROLUX	RELAIS - UNITÉ HERMETIQUE RELAIS - ELECTROLUX	RELAIS - UNITÉ HERMETIQUE RELAIS - ELECTROLUX
8	CM 19180573 CM 18180567	CM 19180567	START CAPACITOR - UNITÉ HERMETIQUE START CAPACITOR - ELECTROLUX	CAPACITA' D'AVVIAMENTO - UNITÉ HERMETIQUE CAPACITA' D'AVVIAMENTO - ELECTROLUX	CONDENSAT. DEMARRAGE - UNITÉ HERMETIQUE CONDENSAT. DEMARRAGE - ELECTROLUX	STARTKONDENSATOR - UNITÉ HERMETIQUE STARTKONDENSATOR - ELECTROLUX
9	CM 19180574 CM 19180569	CM 19180564	RUN CAPACITOR - UNITÉ HERMETIQUE RUN CAPACITOR - ELECTROLUX	CAPACITA' DI MARCIA - UNITÉ HERMETIQUE CAPACITA' DI MARCIA - ELECTROLUX	CONDENSAT. PERMANENT - UNITÉ HERMETIQUE CONDENSAT. PERMANENT - ELECTROLUX	BETRIEBSKONDENSATOR - UNITÉ HERMETIQUE BETRIEBSKONDENSATOR - ELECTROLUX
10	CM 19863034	CM 19863034	HOT GAS VALVE ASSY	ASS. VALVOLA GAS CALDO	ENS. VANNE GAZ CHAUDS	HEISSGASVENTIL
12	CM 81485038	CM 81453098	CONDENSER	CONDENSATORE	CONDENSEUR	KONDENSATOR
13	CM 19870815	CM 19870815	WATER REGULATING VALVE	VALVOLA REGOLAZIONE ACQUA	VANNE RÉGULATION EAU	WASSER REGLER VENTIL
14	CM 25631013	CM 25631013	WATER FITTING-IN	RACCORDO IDRAULICO	RACCORD-ARRIVÉE EAU	WÄSSEREINLAUFSTUECK
15	CM 19320310	CM 19320310	WATER FITTING-OUT	RACCORDO IDRAULICO	RACCORD-ÉVACUATION EAU	WASSERABFLUSSSTUECK
16	CM 19635339	CM 19635339	LIQUID RECEIVER	RICEVITORE DI LIQUIDO	BOUTEILLE LIQUIDE	FLUSSIGKEITSSAMMLER
17	CM 19301230	CM 19301230	DRIER	FILTRO	DESHYDRATEUR	TROCKNER
18	CM 25725437	CM 25725437	BRACKET	SUPPORTO	SUPPORT	TRAEGER
19	CM 19550606	CM 19550606	HIGH PRESSURE CONTROL	PRESSOSTATO DI ALTA	PRESSOSTAT H.P.	HOCKDRUCKPRESSOSTAT
20	CM 25725457	CM 25725457	BRACKET	SUPPORTO	SUPPORT	TRAEGER
21	CM 19865525	CM 19865525	WATER DRAIN VALVE	VALVOLA SCARICO ACQUA	VANNE DE VIDANGE D'EAU	WASSERABFLUSSVENTIL
22	CM 81453014	CM 81453014	METAL BRKT FOR CONNECTION FITTINGS	SUPPORTO RACCORDI DI COLLEGAMENTO	SUPPORT RACCORD DE BRANCHEMENT	ANSCHLUßSTÜCK KLAMMERN
25	CM 25690803	CM 25690803	DRAIN FITTING	RACCORDO SCARICO	RACCORD ÉVACUATION EAU	WASSERABFLUSSNIPPEL
26	CM 19870622	CM 19870626	THERM. EXP. VALVE	VALVOLA ESPANS. TERMOSTATICA	DETENDEUR	EXPANSION VENTIL
27	CM 18562060	CM 18562060	FAN MOTOR ASSY	ASS. MOTOVENTILATORE	ENS. MOTOVENTILATEUR	LÜFTERMOTOR KOMPL
28	CM 25725455	CM 25725455	BRACKET	SUPPORTO	SUPPORT	TRAEGER
29	CM 25570190	CM 25570190	PLATE	PIASTRINA	PLAQUETTE	PLATTE
30	CM 19031000	CM 19031000	GROMMET/PADS	AMMORTIZZATORE	SILENT BLOCS	GUMMIBUCHSE
31	CM 19060306	CM 19060306	SLEEVE	BUSSOLA	ENTRETOISE	BUCHSE
32	CM 12792099	CM 12792099	SCREW	VITE	VIS	SCHRAUBE
33	CM 12523050	CM 12523050	WASHER	RONDELLA	RONDELLE	SCHEIBE
34	CM 12292102	CM 12292102	NUT	DADO	ECROU	MUTTER
40	CM 25790855	CM 25790855	DRAIN TUBE	TUBO SCARICO	TUYAU ÉVACUATION	ABFLUSSROHR
41	CM 19281326	CM 19281326	CLAMP	FASCETTA	COLLIER	KLEME



44	CM 81453099	CM 81453099	WATER TUBE	TUBE	TUYAU	ROHR
45	CM 12792400	CM12792400	SCREW	VITE	VIS	SCHRAUBE
46	CM 12768410	CM12768410	SCREW	VITE	VIS	SCHRAUBE
47	CM 12788880	CM12788880	SCREW	VITE	VIS	SCHRAUBE
48	CM 12726389	CM12726389	SCREW	VITE	VIS	SCHRAUBE
50	CM 12540020	CM 12540020	LOCK WASHER	ROSETTA	RONDELLE SCHEIBE	SCHRAUBE
51	CM 12523040	CM 12523040	WASHER	RONDELLA	RONDELLE	SCHRAUBE
53	CM 122918C0	CM 12291600	NUT	DADO	ECROU	MUTTER
54	CM 12292102	CM 12292102	NUT	DADO	ECROU	MUTTER
55	CM 12291600	CM 12291600	NUT	DADO	ECROU	MUTTER
56	CM 25550049	CM 25550060	REAR PANEL	PANNELLO POSTERIORE	PANNEAU ARRIERE	MUTTER
57	CM 12728106	CM 12728106	SCREW	VITE	VIS	RUECKWAND
58	CM 12436400	CM 12436400	METAL CLIP	PIASTRINA METALLICA	PLAQUETTE	SCHRAUBE
						PLATTE

**MV 18-25 - COMPRESSOR CHART - LISTA COMPRESSORI - LISTE DES COMPRESSEURS - KOMPRESSORENLISTE**

MODEL MODELLO MODELE MODELL	VOLTS VOLTAGGIO TENSION SPANNUNG	COMPRESSOR MODEL MODELLO COMPRESSORE TYPE DU COMPRESSEUR KOMPRESSOR TYP	COMPRESSOR ASSY ASS. COMPRESSORE ENS. COMPRESSEUR NUR KOMPRESSOR	COMPRESSOR ONLY SOLO COMPRESSORE COMPRESSEUR SEUL NUR KOMPRESSOR	RELAY RELE' RELAIS RELAIS	PROTECTOR PROTETTORE PROTECTEUR SCHUTZGERAT	START CAPACITOR CAPACITA' D'AVV. CAPACITE DE DEMARR. START KONDENSATOR	RUN CAPACITOR CAPACITA' DI MARCIA CAPACITE PERMANENT BETRIEB KONDENSATOR	AUTOTRANSFORMER AUTOTRANSFORMAT. AUTOTRANSFORMAT. AUTOTRAFO
MV 18 - 1A	115/60/1		-	-	-	-	-	-	-
MV 25 - 1A	115/60/1		-	-	-	-	-	-	-
MV 18 - 2A	220/60/1	U.H. CAJ 9513 T	CM 19165527	-					-
MV 25 - 2A	220/60/1	Coopeland CRA1-0150	CM 19166024	-	18.1903.46	-	18.1901.43	18.1902.45	-
MV 18 - 6A	220/50/1	U.H. CAJ 9513 T Electrolux S 26 TN	CM 19165528 CM 19165481	- -	CM 19621684 CM 19621677	CM 19560149 CM 19560163	CM 19180573 CM 19180567	CM 19180574 CM 19180569	- -
MV 25 - 6A	220/50/1	U.H. AH 5522 E	CM 19165519	-	CM 19621653	-	CM 19180567	CM 19180564	-



**MV 18-25 - ELECTRIC COMPONENT CHART - LISTA COMPONENTI ELETTRICI  
LISTE DES COMPOSANTS ELECTRIQUES - ELEKTRISCHER TEILLISTE**

MODELLO MODELE MODELL	VOLTS VOLTAGGIO TENSION SPANNUNG	RELAY/CONTACTOR RELE/TELERUTTORE RELAIS/CONTACTEUR RELAIS/MAGNETSCHALTER	ELECTR. CONTR. BOARD SCHEDE ELETTR. CARTE ELECTR. STEUERKARTE	WATER DRAIN VALVE VALVOLA SCAR. ACQUA V.E.M. VIDANGE EAU W/ABFLUSSVENTIL	HOT GAS VALVE VALVOLA GAS CALDO V.E.M. GAS CHAUDS HEISS GAZ VENTIL	WATER PUMP ASSY ASS. POMPA ENS. POMPE A EAU WASSER PUMPE	PUMP MOTOR MOTORE POMPA MOTEUR POMPE PUMPEN MOTOR	FAN MOTOR ASSY ASS. MOTOVENTILATORE ENS. MOTOVENTILATEUR LUFER MOTOR KMPL.
MV 18 - 1A MV 25 - 1A	115/60/1	-	-	-	-	793113.10	620283.01	-
MV 18 - 2A MV 25 - 2A	220/60/1	630119.00	CM 33580043	CM 19865525	CM 19863034	793113.11	620283.02	CM 18562052
MV 18 - 6A MV 25 - 6A	220/50/1	630119.00	CM 33580043	CM 19865525	CM 19863034	793113.09	620283.00	CM18562058