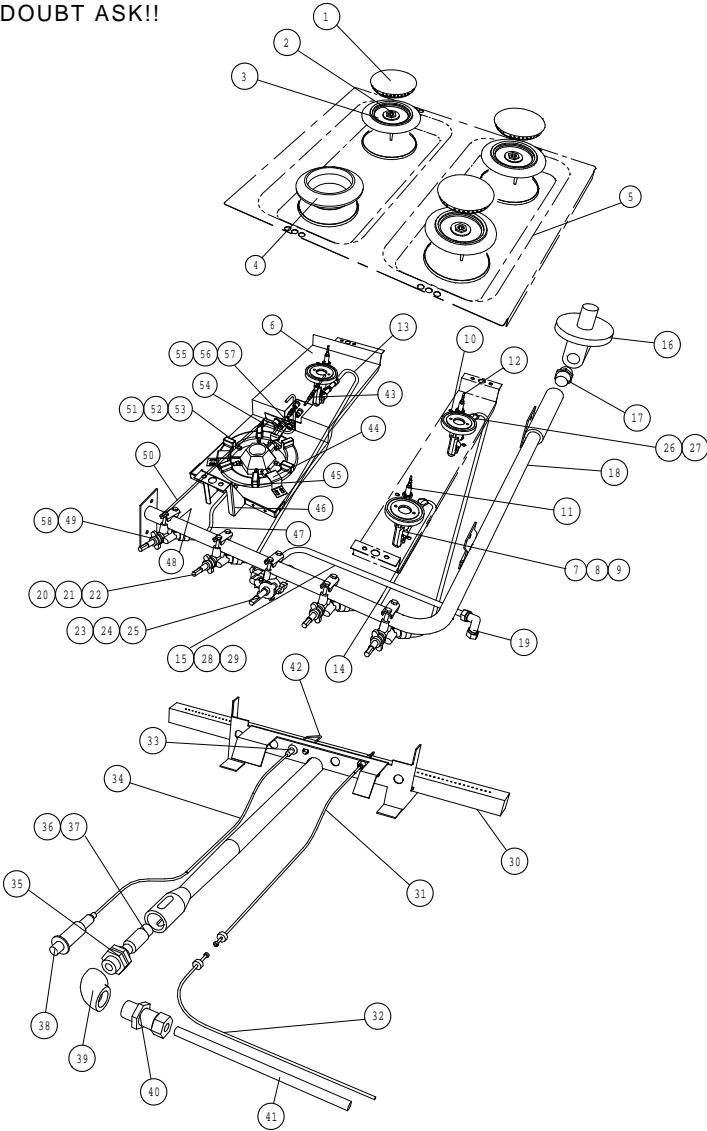
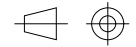


IF IN DOUBT ASK!!

DO NOT SCALE !!

First Angle Projection



G2131 OT CONTROLS

Part No	Spares No	Description			
1	535480006	Burner Cap	30	535480032	Oven burner
2	535400070	Burner Venturi	31	535400180	Oven Thermocouple
3	535400060	Burner Base	32	535400120	Extension Thermocouple
4	535520003	Burner Ring	33	535480033	Oven ignition electrode
5	535430010	Hob Panel	34	535480034	Oven ignition lead
6	535520000	Wok Burner Support	35	535480035	Injector adaptor
7	535400090	injector holder c/w Nat inj(boost)	36	535480038	Oven burner injector (Nat) 1.8
8	535480009	OT Boost injector (Nat) 1.95	37	535480039	Oven burner injector (Prop)
9	535480010	OT Boost injector (Prop) 1.2	38	535480040	Oven igniter
10	535400100	Lock Nut - injector holder	39	535480041	Elbow for Injector adaptor
11	535480011	OT Thermocouple - Short	40	535480042	Oven pipe coupling
12	535480012	OT Thermocouple - Long	41	535480043	Oven bottom feed pipe
13	535400050	Burner pipe - Rear outer	42	535480045	Oven Earth pin
14	535400040	Burner pipe - Front outer	43	535520007	Thermocouple
15	535480014	Oven top feed pipe	44	535520004	Wok Burner Bkt
16	535480015	Governor	45	535520021	1/4" x 8mm Burner Coupling
17	535480016	"3/4" Fitting"	46	535520001	Wok Burner Support Bkt
18	535480018	Float rail	47	535520015	Wok Burner - Tap Pipe
19	535480019	Oven feed pipe elbow	48	535520022	M8 Splitnut
20	535480020	Open top burner control	49	535520011	Wok Burner Tap - NG
21	535480021	Nat gas by-pass Screw 0.84	50	535520016	Wok Pilot - Tap Pipe
22	535480022	Propane by-pass screw 0.5	51	535520002	Wok Burner c/w ng Jets
23	535430020	Oven Thermostat	52	535520020	Wok Burner Injector NG
24	535480025	Nat gas by-pass Screw 0.75	53	535520018	Wok Burner Injector LP
25	535480026	Propane by-pass screw 0.45	54	535520006	Wok Pilot Bkt
26	535480027	Olive for tap pipes	55	535520005	Wok Pilot Assy NG
27	535480028	Tube nut for tap/injector holder	56	535520019	Wok Pilot Injector NG
28	535480029	Olive for Tstat	57	535520017	Wok Pilot Injector Prop
29	535480030	Tube nut for Tstat	58	535520028	Wok Burner Tap - Prop

All Dimensions in millimetres, Tolerance- Linear ±0.5mm Angular ±0.5° (or as stated)

C	4907	PROP TAP ADDED - NO.58		DJT	05/03/04	
B	5025	BIN No. WAS RZZ331		DJT	13/10/03	
A	4844	PRODUCTION ISSUE		DJT	15/08/02	
G	Issue	Mod No.	Alteration	Zone	Drawn by	Date



Drawn	DAN THORNTON	Product	G2131 OT RANGE		
Date	23/01/03	Title	G2131 CONTROLS SPARES INFO		
Scale	N.T.S				
Matl.		Drawing Number	AA41021	Issue	C
No. off		Finish			
Bin No.		Kraus No.	T100416		

No reproduction or publication of this drawing may be made and no article may be manufactured or assembled in accordance with this drawing without prior written consent. This prohibition is a condition of any contract relating to this drawing. Rights reserved under the Copyright Act 1956 as amended by the Design Copyright Act 1988.

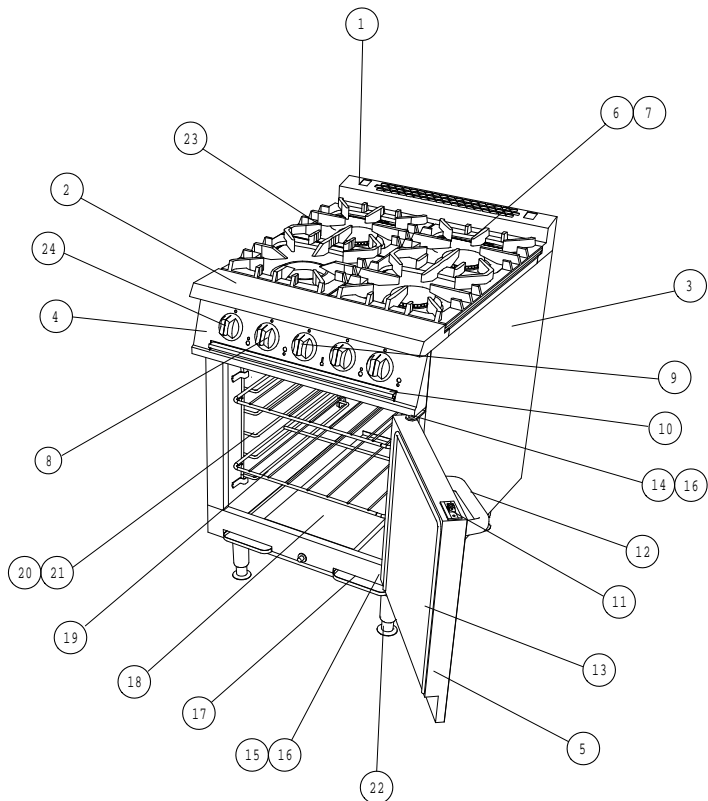
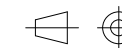
This part is common to the following units

**UNCONTROLLED**

IF IN DOUBT ASK!!

DO NOT SCALE !!

First Angle Projection



G2131 OT FITMENTS

Part No	Spares No	Description
1	535480070	Rear hob rail
2	535480071	Front hob rail
3	535480048	Outer Side Panel
4	535480072	Control panel
5	535480078	Door assy
6	535400130	Pan Support Right (Paint)
7	535400140	Pan Support Right (Enamel)
8	535400010	Control Knob (hob)
9	535480052	Control Knob (Oven)
10	535480073	Hob Drip Tray
11	535480054	Door Catch
12	535480055	Door Handle
13	535480074	Door seal
14	535480060	Top door hinge
15	535480061	Bottom door hinge
16	535480077	Door hinge bush
17	535480062	Oven Drip tray
18	535480075	Oven bottom plate
19	535480076	Oven Shelf
20	535480065	Oven Shelf hanger
21	535480066	Oven Shelf Hanger bracket
22	535480067	Adjustable Leg
23	535520014	Pan Support Left (Paint)
24	535520012	Control Knob (Wok)

All Dimensions in millimetres, Tolerance- Linear ±0.5mm Angular ±0.5° (or as stated)

B	5025	BIN No. WAS RZZ331		DJT	13/10/03
A	4844	PRODUCTION ISSUE		DJT	23/01/03
G	Issue	Mod No.	Alteration	Zone	Drawn by
					Date



Drawn	DAN THORNTON	Product	G2131 OT RANGE	
Date	23/01/03	Title	G2131 FITMENTS SPARES INFO	
Scale	N.T.S			
Matl.		Drawing Number	AA41022	Issue
No. off		Finish		B
Bin No.		Kraus No.	T100416	

No reproduction or publication of this drawing may be made and no article may be manufactured or assembled in accordance with this drawing without prior written consent. This prohibition is a condition of any contract relating to this drawing. Rights reserved under the Copyright Act 1956 as amended by the Design Copyright Act 1988.

This part is common to the following units

**UNCONTROLLED**

Falcon Foodservice Equipment. Wallace View Hillfoots Road Stirling Scotland