



ELECTRIC OVEN
ELEKTROBACKOFEN
FOUR ÉLECTRIQUE
HORNO ELÉCTRICO
FORNO ELÉCTRICO
FORNO ELETRTRICO

GAS OVEN
GASBACKOFEN
FOUR À GAZ
HORNO DE GAS
FORNO A GÁS
FORNO A GAS

OVEN WITH BOILER
BACKOFEN MIT BOILER
FOUR AVEC CHAUFFE-EAU
HORNO CON BOILER
FORNO COM BOILER
FORNO CON BOILER

DIRECT OVEN
DIREKTER BACKOFEN
FOUR DIRECT
HORNO DIRECTO
FORNO DIRECTO
FORNO DIRETTO

OVEN WITH WASH CYCLE
BACKOFEN MIT SPÜLUNG
FOUR AVEC LAVAGE
HORNO CON CICLO DE LAVADO
FORNO COM LAVAGEM
FORNO CON LAVAGGIO

OVEN WITH CORE PROBE
BACKOFEN MIT KERNFÜHLER
FOUR AVEC SONDE À CŒUR
HORNO CON SONDA TÉRMICA
FORNO COM SONDA NO NÚCLEO
FORNO CON SONDA AL CUORE

OVEN WITH TROLLEY
BACKOFEN MIT TROLLEY
FOUR AVEC TROLLEY
HORNO CON TROLLEY
FORNO COM TROLLEY
FORNO CON TROLLEY

DRIVE 220

REV. 01/2010:

(N. MODIFICA 10-042): AGGIUNTO KIT SUPPORTO SONDA AL CUORE (RIC0004514).

(N. MODIFICA 10-043): AGGIUNTO FORO SU COPRISERRATURA COD. 171414. AGGIUNTO GOMMINO COD. 165595 E DISTANZIALE MOLLETTA 178301.

REV. 02/2010:

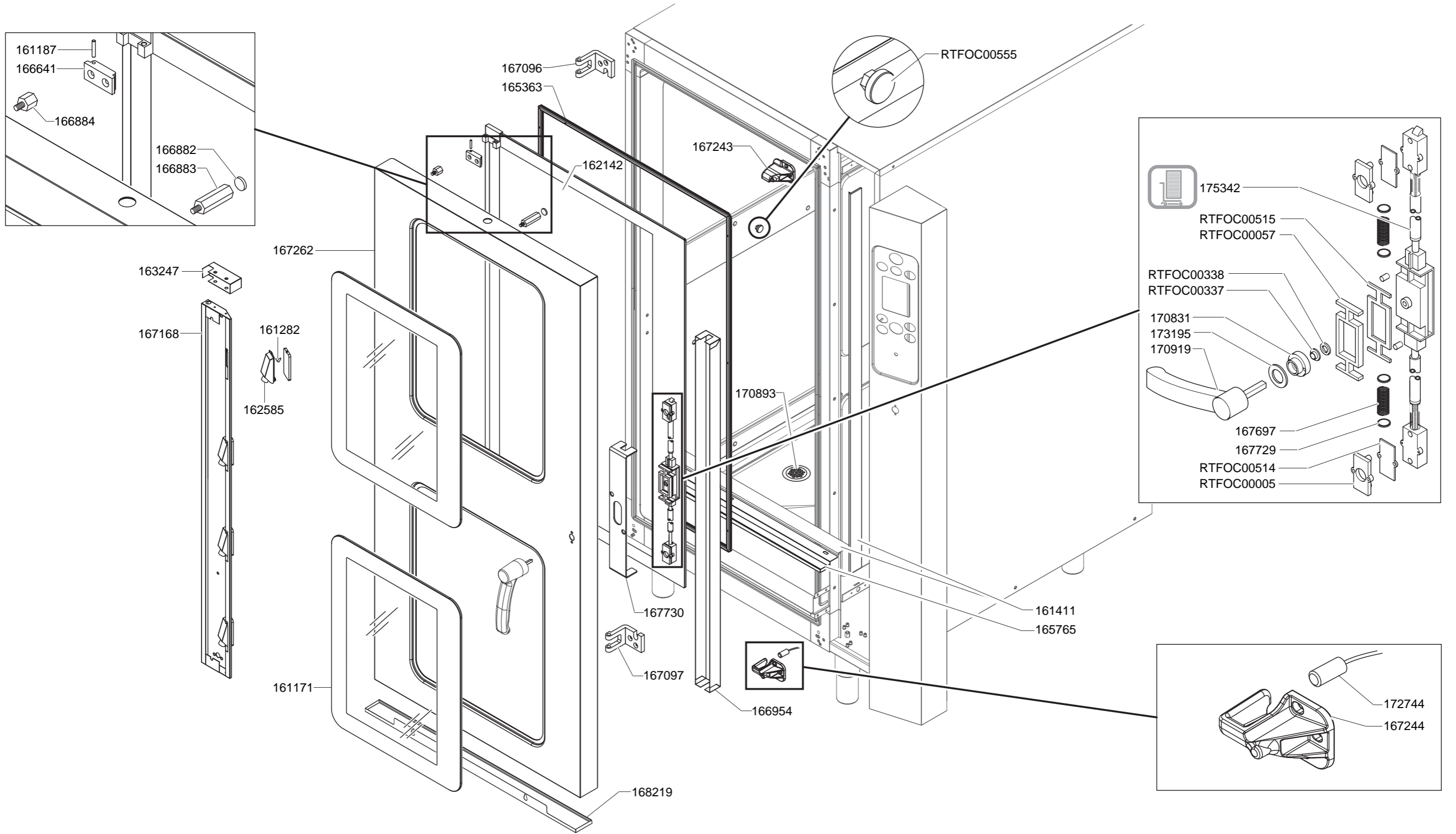
MODIFICATO GRUPPO LAVAGGIO

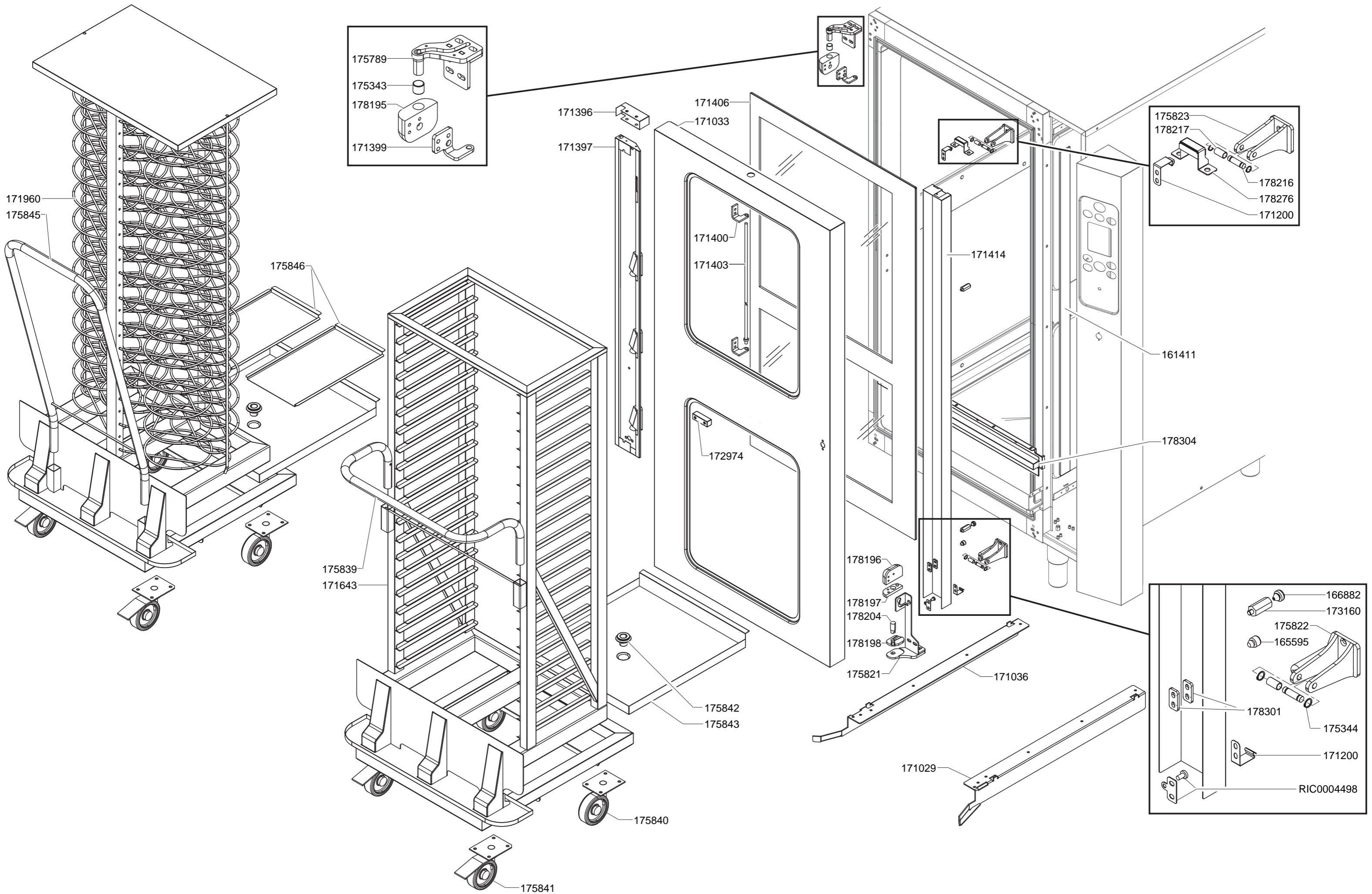
REV. 03/2010:

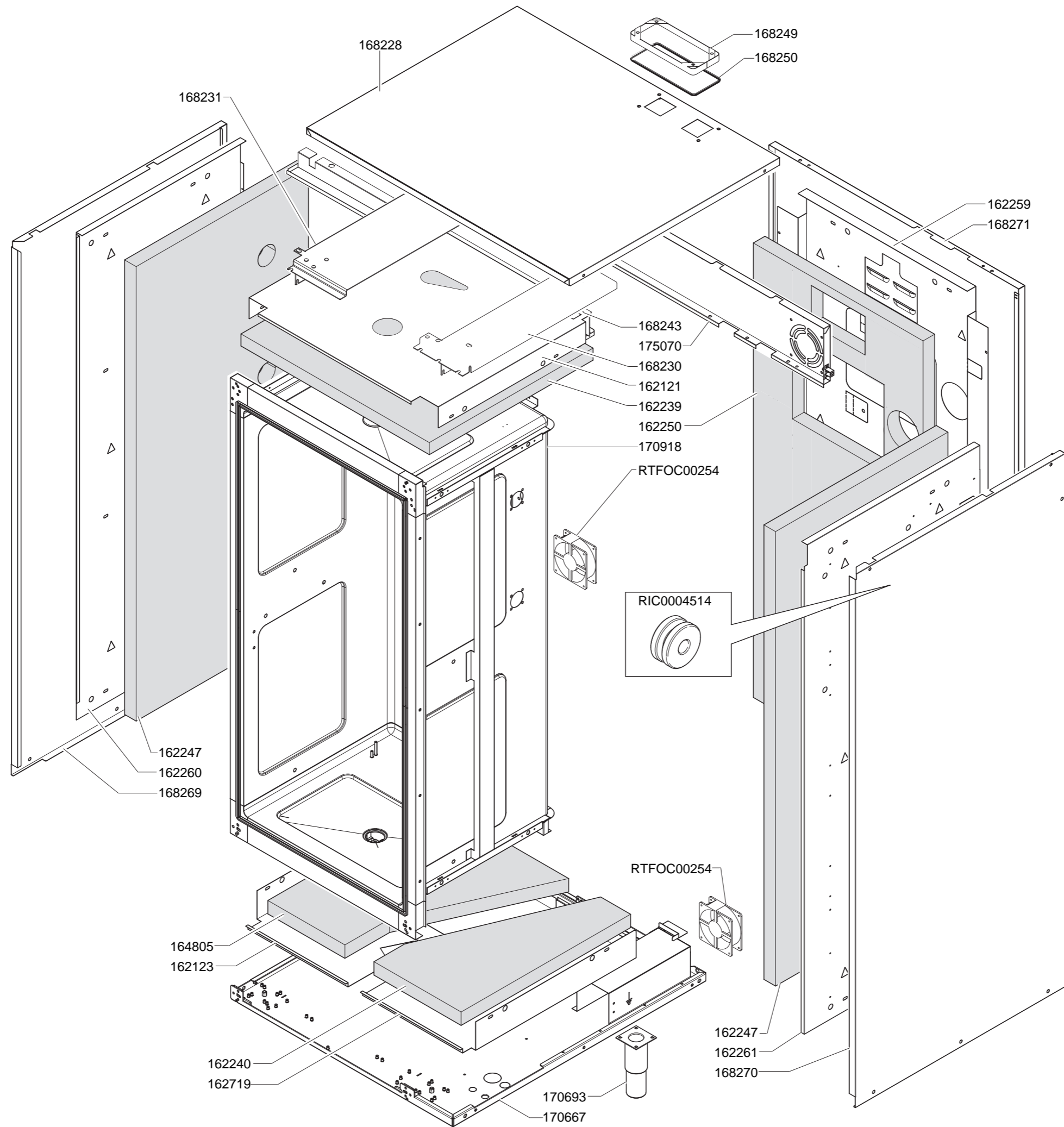
MODIFICATO MAGIC BOX ED ELIMINATO SONDA T3

REV. 04/2014:

(N. MODIFICA 13-086): SOSTITUZIONE COMPONENTI NUOVA IDRAULICA DALLA MATRICOLA N. 1055692, vd. TSB 2013-040 per maggiori dettagli.

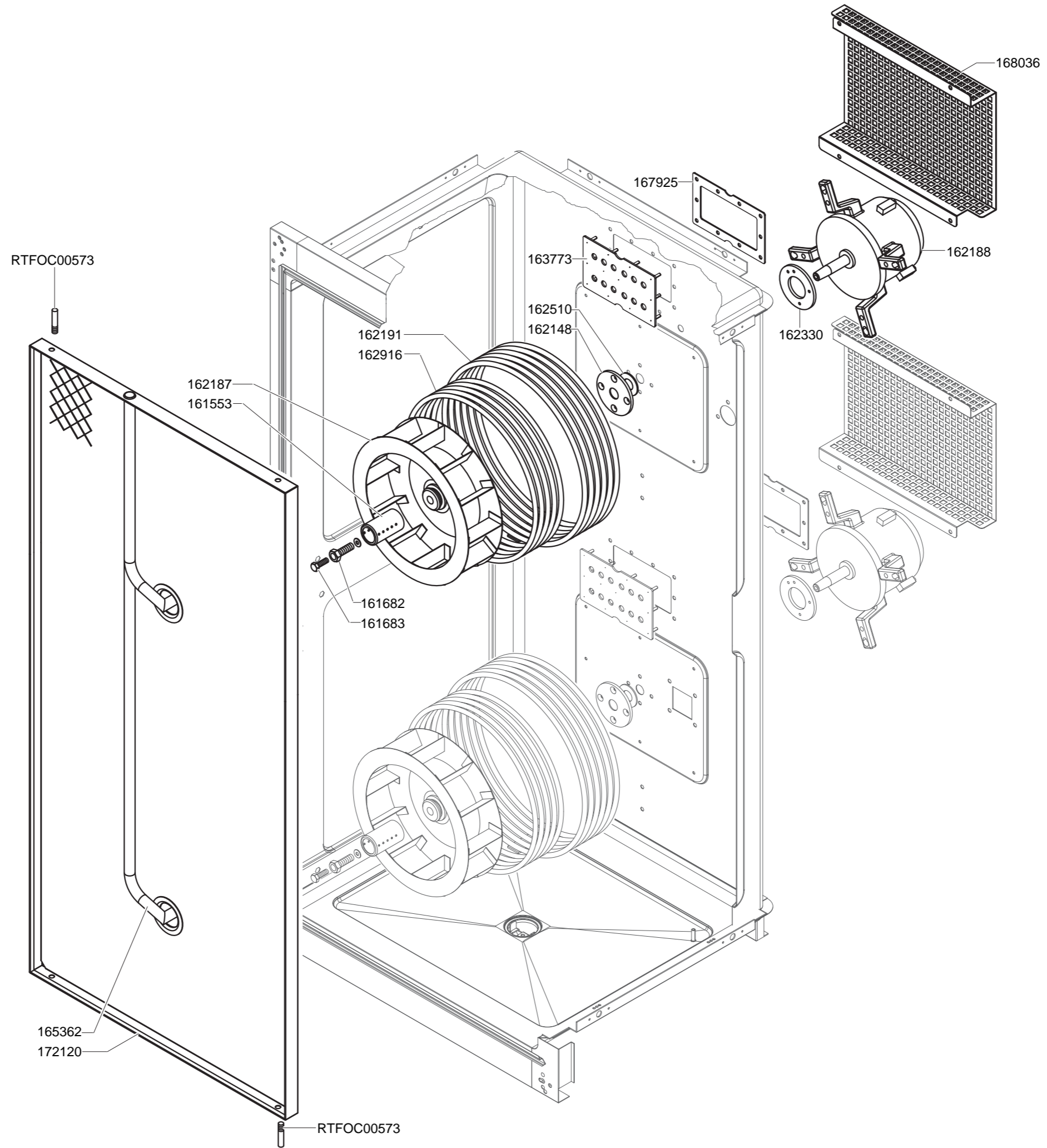


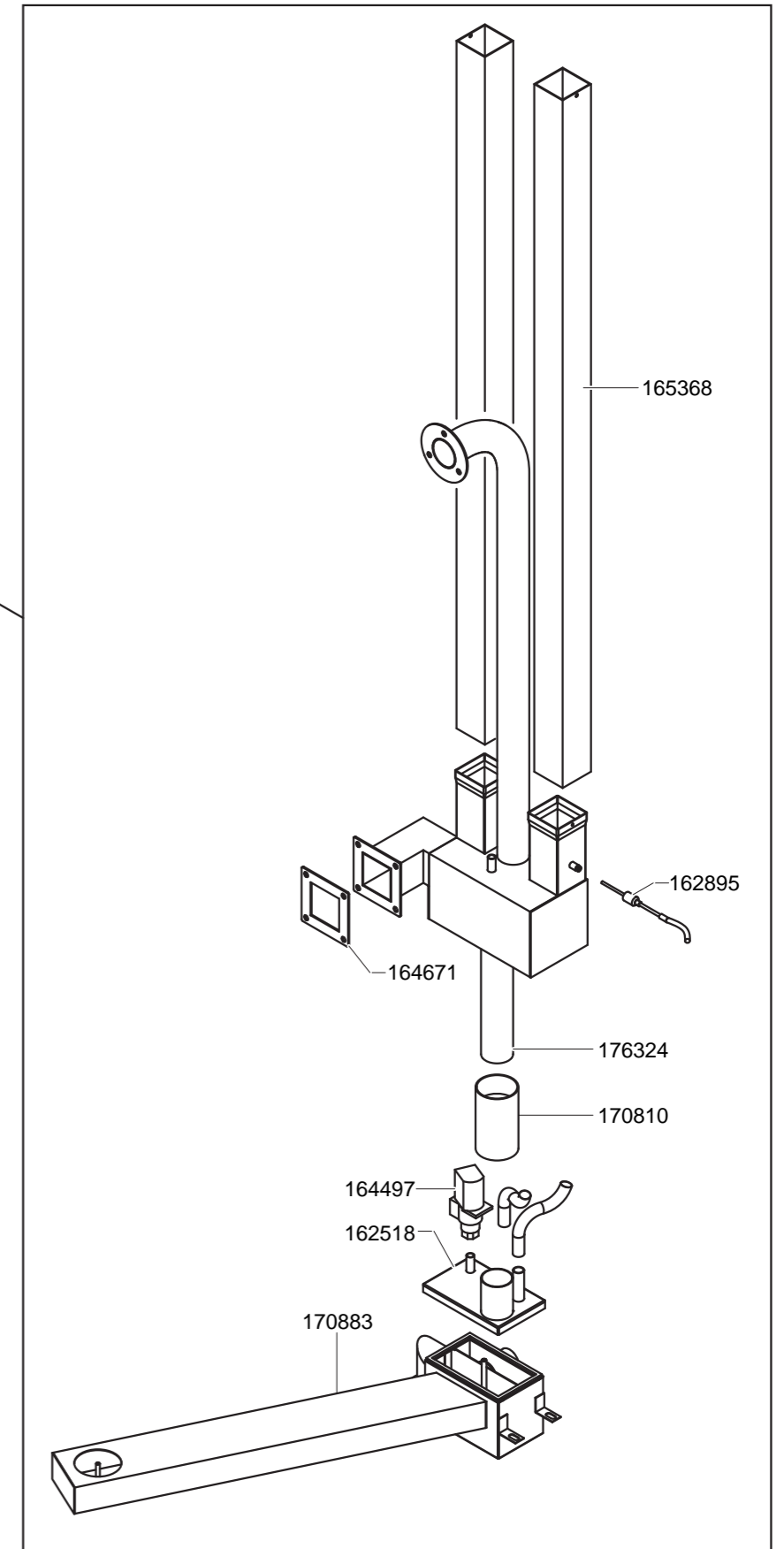
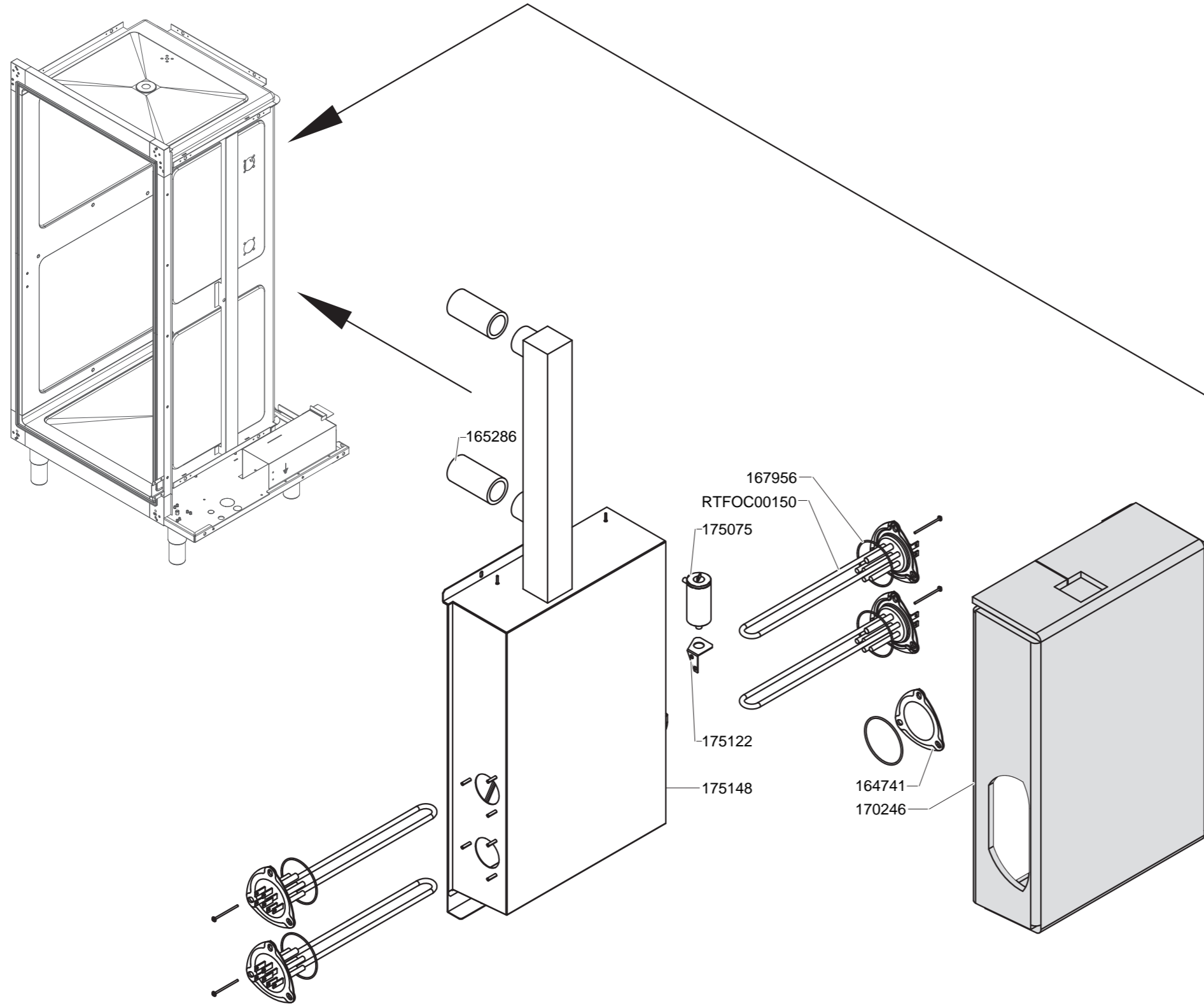


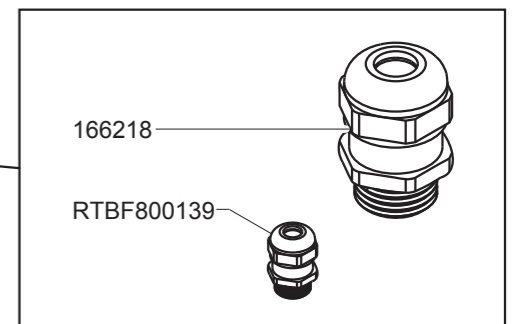
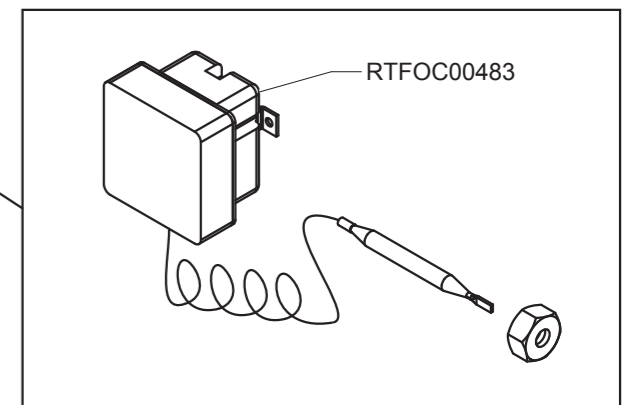
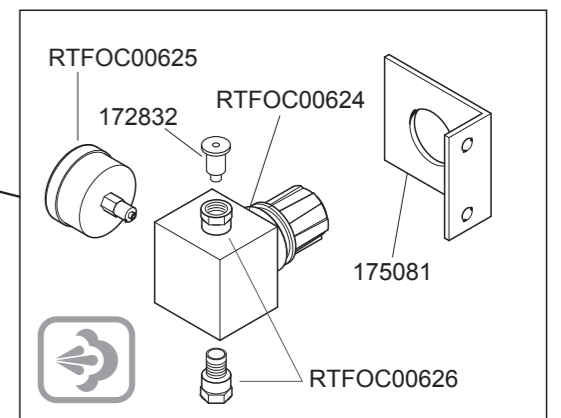
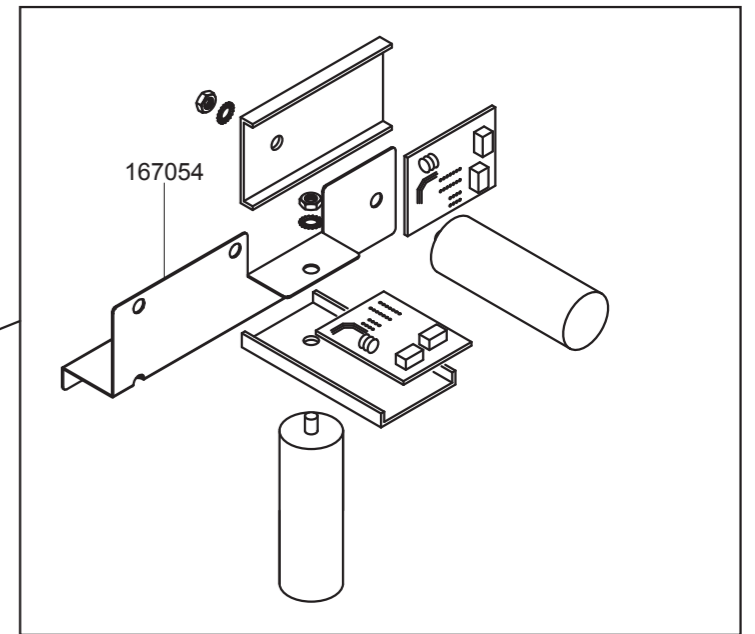
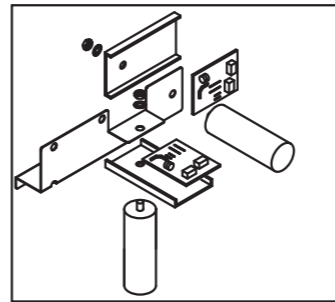
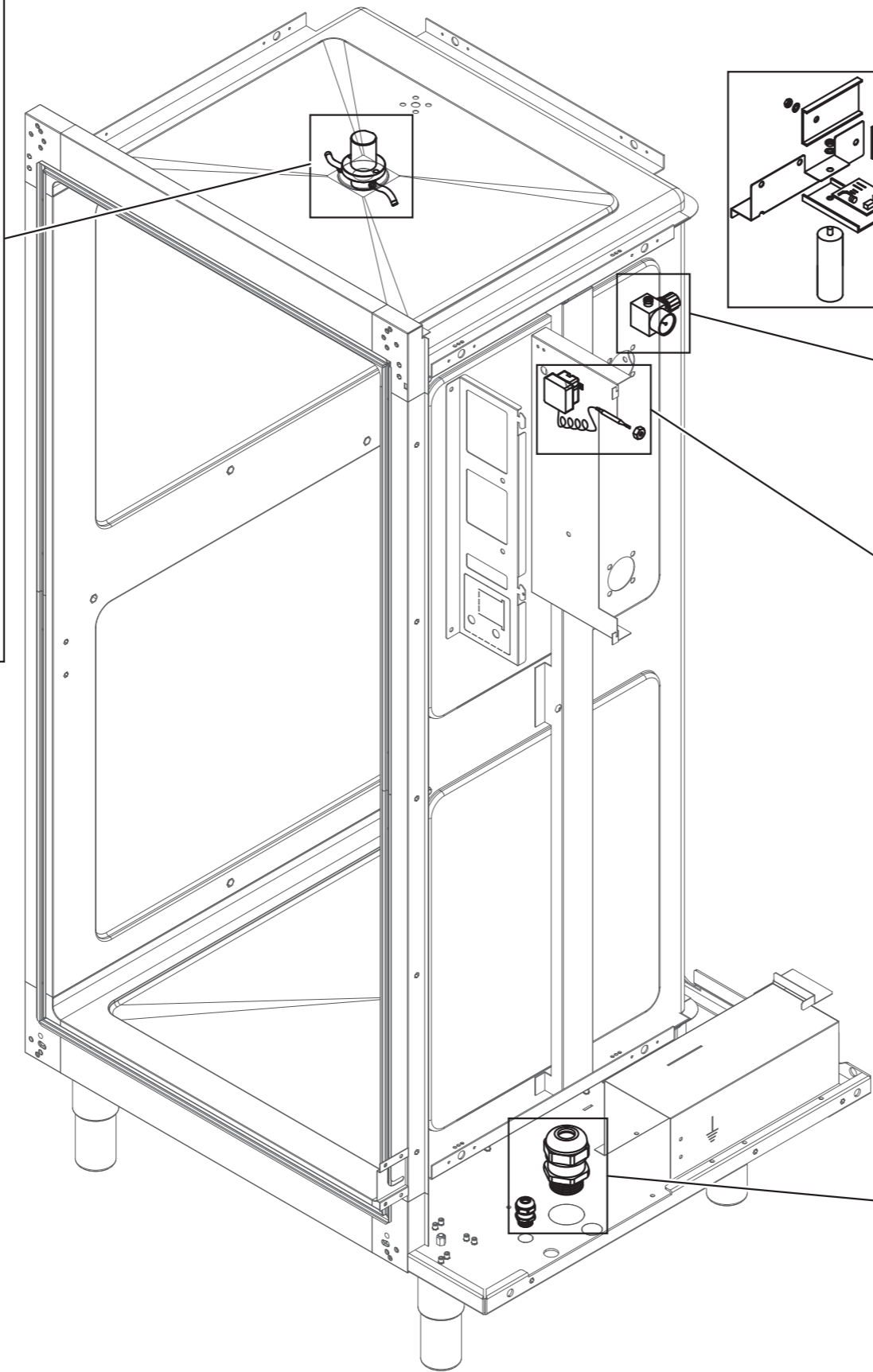
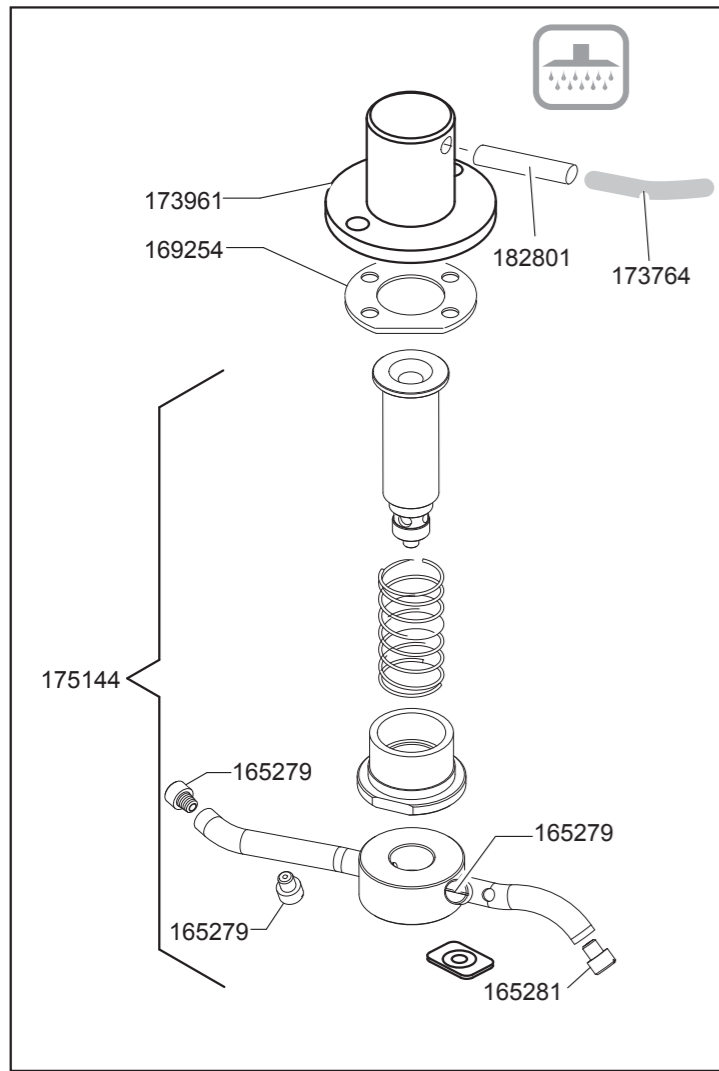


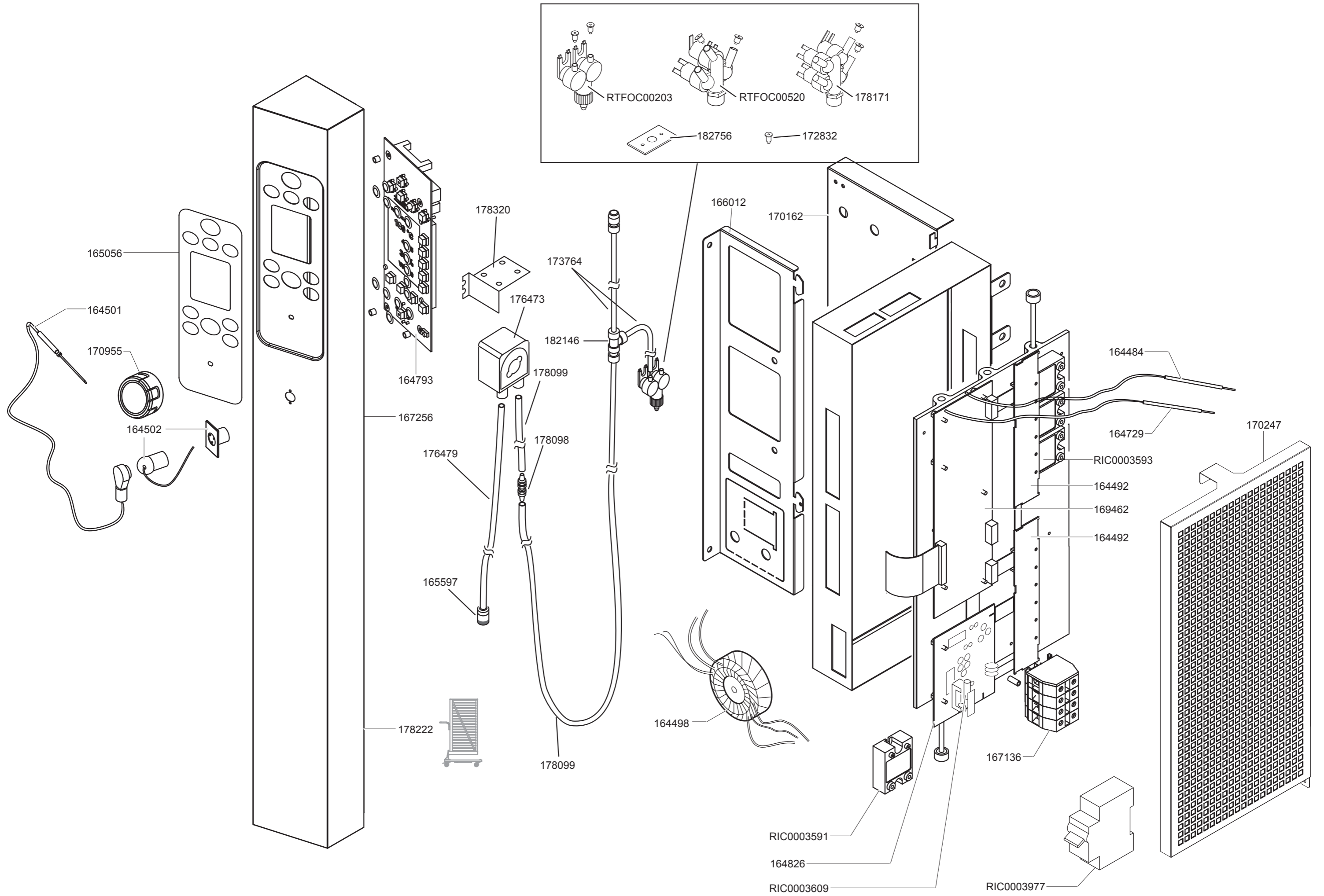
DRIVE 220

TAV.2









DRIVE 220

TAV.6

COD.	IT	FR	GB	DE
161171	CRISTALLO EST.P.F.SERIE 060	CRISTAL EXT.P.F.SERIE 060	CRYSTALL GLASS, OUT FOR OV.SERIES 060	KRISTALLGLAS, AUSS. FÜR OF.REIHE 060
161187	PERNO INF./SUP.CERN.VETRO P.FORNO	PIVOT INF./SUP. CHARN.VERRE PORTE FOUR	PIN, LOW./UPPER,GLASS HINGE FOR OVEN DOOR	ZAPFEN
161282	LAMP.ALOG.FCV 20W 12VCC	LAMPE HALOGENE FCV 20W 12VCC	QUARTZ-IODINE LAMP FCV 20W 12VCC	HALOGENLAMPE FCV 20W 12VCC
161411	PROF.GUARNIZIONE CRUSC.FORNI	JOINT	GASKET	DICHTUNG
161553	NEBULIZZATORE FEMD107	NÉBULISATEUR	DISTRIBUTOR	ZERSTÄUBER
161682	VITE SX PER GIRANTE 10G 161274	VIS GAUCHE POUR ROUE 10G 161274	SCREW, LH FOR IMPELLER 10G 161274	SCHRAUBE, LINKS FÜR LAUFRAD 10G 161274
161683	VITE DX M6X55 TCEI INOX GIR.10G	VIS DROITE M6X55 TCEI INOX PIV.10G	SCREW RH M6X55 TCEI INOX , REV.10G	SCHRAUBE RECHTS M6X55 TCEI INOX , DREH.10G
162121	COPRILANA SUP.F.GN1/1	PANNEAU COUVRE ISOLANT SUPÉRIEUR	INSULATING PANEL COVER	ISOLIERMATERIALVERKLEIDUNG
162123	COPRILANA INF.SX F.GN1/1	PANNEAU COUVRE ISOLANT	INSULATING PANEL COVERING	ISOLIERMATERIALVERKLEIDUNG
162142	CRISTALLO INT.P.F.20GN1/1-2/	CRISTAL	CRYSTALL GLASS	KRISTALLGLAS
162148	FLANGIA MOT.	BRIDE MOTEUR	MOTOR FLANGE	MOTORFLANSCH
162187	GIRANTE F.101/201/202 D350X80 12PP-70135081	ROUE VENT.101/201/202 D350X80 12PP-70135081	IMPELLER, FAN 101/201/202 D350X80 12PP-70135081	LAUFRAD, LÜFTER 101/201/202 D350X80 12PP-70135081
162188	MOTORE VENT.F.HFEI101D+COND.3068A2353	MOTEUR VENT.F.HFEI101D+COND.3068A2353	MOTOR, VENT.F.HFEI101D+COND.3068A2353	MOTOR, LÜFTER F.HFEI101D+COND.3068A2353
162191	R.D500-9,39KW 240V 1GIK3U743002	RESISTANCE D500-9,39KW 240V 1GIK3U743002	RESIST.D500-9,39KW 240V 1GIK3U743002,5 KW 230	WIDERSTAND D500-9,39KW 240V 1GIK3U743002
162239	PANNELLO IS.SUP.F.GN1/1	PANNEAU ISOLANT SUPERIEUR	UPPER INSULATING PANEL	OBERE ISOLIERTAFEL
162240	PANNELLO IS.DX FONDO F.GN1/1	PANNEAU ISOLANT	INSULATING PANEL	ISOLIERTAFEL
162247	PANNELLO IS.DX/SX F.20GN1/1	PANNEAU ISOLANT	INSULATING PANEL	ISOLIERTAFEL
162250	PANNELLO IS.POST.F.20GN1/1	PANNEAU ISOLANT POSTÉRIEUR	BACK INSULATING PANEL	ISOLIERTAFEL
162259	COPRILANA POST.F.20GN1/1	PANNEAU COUVRE ISOLANT POSTERIEUR	INSULATING PANEL COVER BACK	HINTERES COPRILANA
162260	COPRILANA SX F.20GN1/1	PANNEAU COUVRE ISOLANT GAUCHE	INSUL. PANEL COVERING	ISOLIERMATERIALVERKLEIDUNG
162261	COPRILANA DX F.20GN1/1	PANNEAU COUVRE ISOLANT DROIT	INSULATING PANEL COVERING	ISOLIERMATERIALVERKLEIDUNG
162330	C/FLANGIA MOT.	BRIDE MOTEUR	MOTOR FLANGE	MOTORFLANSCH
162510	ANELLO TENUTA ALB.MOT.	BAGUE D'ETANCHEITE ARBRE MOT.	RING, SEAL FOR DRIV.SHAFT	DICHTUNGSRING, ANTRIEBSWELLE
162518	COPERCHIO ISP.SC.INF.F.INDIR.	COUVERCLE	COVER	ABDECKUNG
162585	P/LAMPADA	PORTE-LAMPE	LAMP-HOLDER	LAMPENFASSUNG
162719	COPRILANA INF.DX F.GN1/1	PANNEAU COUVRE ISOLANT	INSULATING PANEL COVERING	ISOLIERMATERIALVERKLEIDUNG
162895	SONDA M/BOX TIPO K	SONDE M/BOX TIPO K	PROBE M/BOX TIPO K	SONDE M/BOX TIPO K
162916	R.D400-9,39KW 240V 1GIK3U745.002	RESISTANCE D400-9,39KW 240V 1GIK3U745.002	RESISTANCE D400-9,39KW 240V 1GIK3U745.002	WIDERSTAND D400-9,39KW 240V 1GIK3U745.002
163247	*SUP.MICRO LAMP.6-10-20GN	SUPPORT MICRO LAMPE 6-10-20GN	BRACKET MICRO LAMP 6-10-20GN	UNTERSETZUNGSGETRIEBE 6-10-20GN
163773	AS.SQ.FIS.RESIST.F.10GN1/1	EGUERRE DE FIXAGE	BRACKET TO FIX	BEFESTIGUNGSWINKEL
164484	TERMOCOPPIA 6X100K	THERMOCOPPIA 6X100K	THERMOCOUPLE 6X100K	WAERMEPAAR 6X100K
164492	SCHEDA RELE	CARTE RELAIS FOUR ELECTRIQUE	RELAY BOARD	RELAISKARTE ELEKTRO-BACKOFEN
164497	ELETTROVALVOLA N.C M.BOX	SOUPAPE N.C M.BOX	ELECTRIC VALVE N.C M.BOX	ELEKTROVENTIL N.C M.BOX
164498	TRASF.ROT.165VA	TRANSF.165VA	TRANSF.165VA	TRANSF.165VA

COD.	IT	FR	GB	DE
164501	SONDA C/DIAM 4X100 K	SONDE C/DIAM 4X100 K	PROBE C/DIAM 4X100 K	SONDE C/DIAM 4X100 K
164502	CONNETTORE+TAPPO SONDA	CONNECTEUR	CONNECTOR	VERBINDUNG
164671	AS.FLANGIA QUAD.FIS.INT.M/BOX	BRIDE	FLANGE	FLANSCH
164729	T/COPPIA 52 K	THERMOCOUPLE 52 K	THERMOCOUPLE 52 K	THERMOELEMENT 52 K
164741	FLANGIA C/FORO BOY.+GUARN. 570896410	BRIDE	FLANGE	FLANSCH
164793	SCHEDA EL.COMANDI DGT.FEM110	FICHE EL.COMMANDES DGT.FEM110	CARD, EL.CONTROLS DGT.FEM110	PLATINE STEUER. DGT.FEM110
164805	PANNELLO IS.SX FONDO F.GN1/1	PANNEAU ISOLANT	INSULATING PANEL	ISOLIERTAFEL
164826	SCHEDA AL.FORNO	FICHE ALIMENT.FOUR	CARD, FEED. OVEN	KARTE, VERSORGUNG OFEN
165056	MASCHER.CRUS.FEM610	MASQUE TABLEAU	COVER DASH BOARD	ABDECKUNGSTIRNBRETT
165279	UGELLO LAVAGGIO	INJECTEUR LAVAGE	INJECTOR, WASH.	EINSPRITZER, SPÜL.
165281	UGELLO LAVAGGIO D1.5	INJECTEUR LAVAGE D1.5	INJECTOR, WASH. D1.5	EINSPRITZER, SPÜL. D1.5
165286	TUBO D.50 BENASIL CON SPIRALE 4 MT.	TUBE	PIPE	ROHR
165362	TU.UMIDIFICATORE F.E.20G.	HUMIDIFIER	HUMIDIFICATEUR	BEFEUCHTER
165363	GUARNIZ.GIUNTATA F.20GN	GARNITURE	GASKET	DICHTUNG
165368	TUBO USCITA M.BOX F.20GN	TUBE	PIPE	ROHR
165595	GOMMINO PORTA A.GC49 15-615	CAPSULE	RUBBER BUFFER	GUMMIPUFFER
165597	FILTRO FONDO	FILTRE	FILTER	FILTER
165765	AS.CASS.INF.R/GOCCIA F.20GN	BASSIN	DRAWER	SCHUBLADE
166012	SUP.GRUPPO SCHEDA EL.	SUPPORT	SUPPORT	HALTERUNG
166218	F/CAVOPG36 RTA84317+D53019070	ARRÊT DU CABLE	CHOCK	KABELDURCHGANG
166641	CERN.FIS.CRISTALLO	CHARNIERE	HINGE	SCHARNIER
166882	GOMMINO VETRO INT.PORTA	CAPSULE	RUBBER BUFFER	GUMMIPUFFER
166883	DISTANZ.LUNGO VETRO INT.PORTA	ENTRTOISE	SPACER	DISTANZSTÜCK
166884	DISTANZ.CORTO VETRO INT.P.F.10-20	ENTRTOISE	SPACER	DISTANZSTÜCK
166954	PROTEZ.SERR.P.F.20GN	PROTECTION SERR.P.F.20GN	LH OV.DOOR LOCK.SAFETY P.F.20GN	SCHUTZ, OF.TÜRSCHLOSS LINKS P.F.20GN
167054	SUPP.CAVI	CABLES DE SOUTIEN	SUPPORT CABLES	HALTERUNG KABLE
167096	AS.CERN.SUP.PORTA	CHARNIERE	HINGE	SCHARNIER
167097	AS.CERN.INF.PORTA	CHARNIERE	HINGE	SCHARNIER
167136	MORSETTIERA 10P CE	CONNECTION DES CABLES	TERMINAL BOARD	KLEMMBRETT
167168	*AS.PAN.INT.SUP.LAMP.F.20GN	LAMPE DE SOUTIEN	LAMP SUPPORT	HALTERUNG
167243	GANCIO FISSO DX SER.PORTA	CROCHET	HOOK	HAKEN
167244	GANCIO FISSO SX SER.PORTA	CROCHET	HOOK	HAKEN
167256	*AS.CRUSCOTTO F.DGT 20GN	PANNEAU DE CONTRÔLE F.DGT 20GN	CONTROL PANEL F.DGT 20GN	STIRNBRETT F.DGT 20GN
167262	AS.PORTA F.20GN1/1-2/1	PORTE F.20GN1/1-2/1	DOOR F.20GN1/1-2/1	TÜR F.20GN1/1-2/1

COD.	IT	FR	GB	DE
167697	MOLLA COMP.C72 F.1,3 D.15 L=66,5 ZINC.B.	RESSORT	SPRING	FEDER
167729	RONDELLA P.12,5X18X1,5 INOX	RONDELLE	WASHER	SCHEIBE
167730	SQ.RISCONTRO MOLLE PORTA	SUPPORT	SUPPORT	HALTERUNG
167925	FLANGIA ATT.RESISTENZA F.10GN1/1	BRIDE	FLANGE	FLANSCH
167956	OR E50I7/E100I NBR 56,52X5,34 550601031	OR E50I7/E100I NBR 56,52X5,34 550601031	OR E50I7/E100I NBR 56,52X5,34 550601031	OR E50I7/E100I NBR 56,52X5,34 550601031
168036	PROTEZ.RESIST.CAMERA F.10/20GN	PROTECTION	PROTECTION	SCHUTZ
168219	*AS.CASSETTO DX/SX INT.PORTA	BASSIN	DRAWER	SCHUBLADE
168228	AS.CIELO F.GN1/1	TOP FOUR F.GN1/1	OVEN TOP F.GN1/1	OFEN TOP F.GN1/1
168230	SUPP.DX CIELO	SUPPORT	SUPPORT	HALTERUNG
168231	SUPP.SX CIELO	SUPPORT	SUPPORT	HALTERUNG
168243	GRONDAIA CIELO	FOUR TOP GUTTER	OVEN TOP GUTTER	OFEN TOP GUTTER
168249	LAM.CHIUS.SPACCHI MAGIC BOX	EAU-BOX TROUS DE FERMETURES	WATER-BOX HOLES CLOSURES	WASSER-BOX HOLES VERSCHLÜSSE
168250	GUARN.CHIUS.SPACCHI MAGIC BOX	JOINT	HOLES CLOSURES GASKET	DICHTUNG
168269	FIANCO SX F.20 GN1/1	CÔTÉ GAUCHE F.20 GN1/1	SIDEPANEL LEFT F.20 GN1/1	SEITENTEIL LINKES F.20 GN1/1
168270	FIANCO DX F.20 GN1/1	CÔTÉ DROITE F.20 GN1/1	SIDEPANEL RIGHT F.20 GN1/1	SEITENTEIL RECHTS F.20 GN1/1
168271	POSTERIORE INOX F.20GN1/1	ARRIÈRE F.20GN1/1	POSTERIOUR F.20GN1/1	HINTEN F.20GN1/1
169254	GUARNIZ.DI RACC.TUBO ALIM.BRUC.	JOINT	GASKET	DICHTUNG
169462	SCHEDA CPU 256K	SCHEDA	SCHEME	SCHALTPLAN
170162	SUP.GRUPPO SCHEDA EL.	SUPPORT GROUPE CARTE	SUPPORT DISPLAY BOARD	TRÄGER KARTENGRUPPE
170246	IS.EST.NERO PROMAGLAF G BOY.	ISOLANT	INSULATING	ISOLIERUNG
170247	PROTEZIONE GRUPPO IMPIANTI NEW	PROTECTION	PROTECTION	SCHUTZ
170667	AS.BASAMENTO F.20 GN1/1	ENSEMBLE BASE F.20 GN1/1	TOGETHER BASE F.20 GN1/1	ZUSAMMEN UNTERSEITE F.20 GN1/1
170693	PIEDINO FLANG. H.195	PIED H.195	FOOT H.195	FUSS H.195
170810	TUBO GOMMA SC.COND. D.39X6,0	TUBE	PIPE	ROHR
170831	BASETTA MANIGLIA ZAMA CR.FINITA	EPAISSEUR POIGNÉE	HANDLE	HANDGRIFF
170883	RAMPA SC.COND.INF.F.GN1/1	RAMPE DU DÉCHARGEMENT CONDENSE	RAMP OUTLET COND.	DUNSTHAUBE
170893	AS.DISCO C/FORO CASS.	DISQUE	DISC	SCHEIBE
170918	AS.CASS.F.EL.20GN1/1	CAISSON F.EL.20GN1/1	COOKING CHAMBER	KASTENGRUPPE ELEKTRO-BACKOFEN
170919	MANIGLIA F.FCV/2	POIGNÉE	HANDLE	HANDGRIFF
170955	MANOP.COM.FCV/3	POIGNEE COMMUT.F.SERIE DRIVE	KNOB, COMM.F.SERIES DRIVE	DREHKNOPF, UMSCH.F.REIHE DRIVE
171029	GUIDA INF. DX BASAMENTO F.20GN2/1 TROLLEY	INFÉRIEUR DROIT GUIDE	LOWER RIGHT GUIDE	UNTEN RECHTS GUIDE
171033	AS.PORTA SX F.20GN TROLLEY	PORTE FOUR GAUCHE F.20GN TROLLEY	DOOR, OVEN LH F.20GN TROLLEY	TÜR, OFEN LINKS F.20GN TROLLEY
171036	GUIDA INF. SX BASAMENTO F.20GN2/1 TROLLEY	INFÉRIEUR GAUCHE GUIDE	LOWER LEFT GUIDE	UNTEN LINKS GUIDE
171200	MOLLETTA BLOC.VETRO INT.	RESSORT	SPRING	FEDER

COD.	IT	FR	GB	DE
171399	CERNIERA VETRO INT.ALTA	CHARNIERE	HINGE	SCHARNIER
171400	CERN.CENT.CRISTALLO F.20GN TROLLEY MBLOC	CHARNIERE	HINGE	SCHARNIER
171403	AS.ASTA D.8 SUP.VETRO F.20GN TROLLEY	PIVOT	PIVOT	STAB
171406	CRISTALLO INT.P.F.20GN TROLLEY	CRISTAL	CRYSTALL GLASS	KRISTALLGLAS
171414	PROTEZ.SERR.P.F.20GN TROLLEY	PROTECTION SERR.P.F.20GN TROLLEY	LH OV.DOOR LOCK.SAFETY P.F.20GN TROLLEY	SCHUTZ, OF.TÜRSCHLOSS LINKS P.F.20GN TROLLEY
171643	AS. TROLLEY	TROLLEY	TROLLEY	TROLLEY
171960	AS. TROLLEY 20 GN1/1 SALDATO	TROLLEY	TROLLEY	TROLLEY
172120	AS.GRIGLIA PROT.VENT.F.E.20GN	GRILLE PROT.VENT.F.E.20GN	GRID, OVEN PROT.F.E.20GN	ROST, GEBL.SCHUTZ F.E.20GN
172657	CAB.IDRAULICO POMPA LAV. - 1235820	CABLAGE	IDRAULIC WIRING HARNESS	VERKABELUNG
172744	SENSORE MAGNETICO A061-1A-DA-T170	CAPTEUR	SENSOR	SENSOR
172832	REGOLATORE ELETTROVALVOLA	REGULATEUR DE DEBIT D'EAU	PRESSURE REDUCER	DURCHFLUSSMENGENREGLER
172974	DIST.P/LAMP.P.F. TROLLEY	ENTRTOISE	SPACER	DISTANZSTÜCK
173160	DISTANZ.L=29 VETRO INT.PORTA	ENTRTOISE	SPACER	DISTANZSTÜCK
173195	RONDELLA OTTONE	RONDELLE	WASHER	SCHEIBE
173764	TUBO ACQUA (8 MT)	TUYAU DE CHARGEMENT DE L'EAU (8 M)	PIPE WATERINLET (8 M)	ZULAUFSCHLAUCH REINIGUNGSSYSTEM (8 M)
173961	CALOTTA ROTORE LAVAGGIO	CALOTTE ROTOR LAV.	ROTOR COVER	ROTORKALOTTE
173963	ASS. ROTATIVO LAVAGGIO	MOYEU FIXATION BRAS	SUPPORT WASHING DRIVE	ARME-BEFESTIGUNGSNABE
173964	RONDELLA SPECIALE	RONDELLE	WASHER	SCHEIBE
175070	AS.POSTERIORE SUP.F.20GN	ARRIÈRE SUP.F.20GN	POSTERIOUR SUP.F.20GN	HINTEN SUP.F.20GN
175075	REGOLATORE LUNGO LIV.BOY.	RÉGULATEUR	REGULATOR	REGLER
175122	SQ.FIS.CONTROLLO LIV.BOY.	SUPPORT	SUPPORT	HALTERUNG
175144	GR.ROTORE LAV.F.	ROTOR	ROTOR	ROTOR
175148	BOYLER 20GN 1/1-2/1 C/PERNI	BOILER 20GN 1/1-2/1	BOILER 20GN 1/1-2/1	BOILER 20GN 1/1-2/1
175342	PROLUNGA SERR.P.F.TROLLEY	BUSE	SPRUE BUSH	DUESE
175343	BOCCOLA GLYCODUR SFBSF-1 15 15	BUCHSE	BUSHING	BUCHSEN
175344	SEEGER RS-6	SEEGER RS-6	SEEGER RS-6	SEEGER RS-6
175789	AS.CERNIERA SUP. TROLLEY	CHARNIERE	HINGE	SCHARNIER
175821	AS.CERNIERA INF. TROLLEY	CHARNIERE	HINGE	SCHARNIER
175822	AS.GANCIO SERR. INF.	CROCHET SERRURE	HOOK LOCK	HAKEN
175823	AS.GANCIO SERR. SUP.	CROCHET SERRURE	HOOK LOCK	HAKEN
175839	ASSIEME MANIGLIONE	MANCHE	HANDLE	HANDLE
175840	RUOTA NORMALE	NORMAL DE ROUE	NORMAL WHEEL	NORMAL WHEEL
175841	RUOTA CON FRENO	ROUE AVEC FREIN	WHEEL WITH BRAKE	RADBREMSE
175842	PILETTA 1,5"	PIVOT	PIN	ZAPFEN

COD.	IT	FR	GB	DE
175843	VASCHETTA CARRELLO F.GN201/1	CUVE	BOWL	BECKEN
175845	AS. MANIGLIONE PORTA PIATTI	MANCHE	HANDLE	HANDLE
175846	VASCHETTA SOTTO PIATTI	CUVE	BOWL	BECKEN
176324	AS.M/BOX F.FEM220/240	M/BOX F.FEM220/240	M/BOX F.FEM220/240	M/BOX F.FEM220/240
176473	POMPA LAVAGGIO	POMPE DETERGENT	DETERGENT PUMP	REINIGERDOSIERER
176479	TU.ASPIRAZIONE/MANDATA (2,5 MT)	TUYAU D'ASPIRATION (2,5 M)	INTAKE HOSE (2,5 M)	ANSAUGSCHLAUCH FÜR REINIGER (2,5 M)
178098	VALVOLA NON RITORNO	VALVE DE NON RETOUR	ONE WAY VALVE	RÜCKFLUSSVERHINDERER
178099	TUBO MANDATA (0,6 MT)	TUYAU (0,6 M)	PIPE (0,6 M)	SCHLAUCH FÜR REINIGER (0,6 M)
178171	ELETTRIVALVOLA 4 VIE	ELECTROVANNE 4 VOIES	4 WAYS SOLENOID VALVE	MAGNETVENTIL 4 WEGE
178195	BLOCCO CERNIERA SUPERIORE	BLOC DE CHARNIÈRE	BLOCK HINGE	SCHARNIER
178196	BLOCCO CERNIERA INFERIORE	BLOC DE CHARNIÈRE	BLOCK HINGE	SCHARNIER
178197	MASCHIO SALTARELLO	PLAT	FLAT	FLACHEISEN
178198	FEMMINA SALTARELLO	PLAT	FLAT	FLACHEISEN
178204	PERNO BLOCCAGGIO SALTARELLO	PIVOT	PIN	ZAPFEN
178216	RULLINO GANCIO SERRATURA	AIGUILLE	NEEDLE ROLLER	NADEL
178217	ANELLO GANCIO SERRATURA	BAGUE	RING	DICHTUNGSRING
178222	AS.CRUSCOTTO F.DGT 20GN TROLLEY	PANNEAU DE CONTRÔLE F.DGT 20GN TROLLEY	CONTROL PANEL F.DGT 20GN TROLLEY	STIRNBRETT F.DGT 20GN TROLLEY
178276	STAFFA ATTACCO MOLLA	GUIDE	GUIDE	FUEHRUNG
178301	DIST.INF.MOLLETTA TROLLEY	ENTRTOISE	SPACER	DISTANZSTÜCK
178304	GR.GUARNIZIONE TROLLEY	JOINT	GASKET	DICHTUNG
178320	SQUADRETTA	SUPPORT	SUPPORT	HALTERUNG
182146	RACCORDO A "T"	RACCORD	FITTING	T-STÜCK REIIGUNGSSYSTEM
182756	SQUADRETTA	SUPPORT	SUPPORT	HALTERUNG
182801	TUBO LAVAGGIO	TUYAU	PIPE	SCHLAUCH
RIC0003591	RELAIS ST.MOT.25A 24-520VAC-SC76211031	RELAIS ST.MOT.25A 24-520VAC-SC	RELAY, ST.MOT.25A 24-520VAC-SC	*STATISCHES RELAIS, MOT.25A 24-520VAC-SC76211031
RIC0003593	RELE' STATICO 75A 400VAC	RELAIS	RELAY	RELAIS
RIC0003609	FUSIBILE 10A RITARD. DRIVE T10AHPC	*FUSIBLE 10A RETARD. DRIVE T10AHPC	FUSE, 10A DELAY. DRIVE T10AHPC	*SICHERUNG, 10A TRÄGE, DRIVE T10AHPC
RIC0003977	MAGNETOTERMICO 230V	INTERRUPTEUR MAGNETIQUE	SWITCH	SCHALTER
RIC0004498	P/MAGNETE PORTA	PORTE-AIMANT	MAGNET-HOLDER	MAGNETFASSUNG
RIC0004514	KIT RETROFIT SUPP.S/CUORE F.	SUPPORT	SUPPORT	HALTERUNG
RTBF800134	PASSACAVO GOMMA DA200/280/10	ARRÊT DU CABLE	CHOCK	KABELDURCHGANG
RTBF800139	F/CAVOPG13 53015030+D53019030	ARRÊT DU CABLE	CHOCK	KABELDURCHGANG
RTFOC00005	ZOCOLO EST.SER.P.FCV.020945	SOCLE EXT.SERR.P. FCV.020945	SOCLE, OUT. PLINTH FCV.020945	SOCKEL, AUSS. SER.P.FCV.020945
RTFOC00057	ZOCOLO CENT.SER.P.FCV.020944	SOCLE, CENTR.PLINTH FCV.020944	SOCLE CENTR.SERR.P.FCV.020944	SOCKEL, ZENTR.SER.P.FCV.020944

COD.	IT	FR	GB	DE
RTFOC00150	R.BOY.FEM.7,5KW230 -UL- 1GEL7D201004	RESISTANCE 7,5 KW230	RESISTANCE 7,5 KW 230	WIDERSTAND 7,5KW230
RTFOC00203	ELETTROVALVOLA 2 VIE	ELECTROVANNE 2 VOIES	2 WAYS SOLENOID VALVE	MAGNETVENTIL 2 WEGE
RTFOC00254	*VENT.CALORE FEM109 VEDI RGFOC00254	VENT.CHALEUR FEM109	FAN, HEAT. FEM109	LÜFTER, WÄRME FEM109
RTFOC00337	ANELLO INT.GRADINO MAN.P.F.FCV	BAGUE INT.POUR POIGNEE PORTE FOUR FCV	RING, INS. FOR KNOB	RING, INN. FÜR DREHKNOPF
RTFOC00338	ANELLO EST.MAN.P.F.FCV.	BAGUE EXT.POIGNEE PORTE FOUR FCV.	RING, OUT.ADHESIVE FOR KNOB FCV.	RING, AUSS. DREHKNOPF FCV.
RTFOC00483	T.L.FCV/1 Tø350 -UL- 5519562030	THERM. LIMIT SW. FCV/1 Tø350 -UL- 5519562030	THERMOST.LIM.FCV/1 Tø350 -UL- 5519562030	ENDSCHALTER, THERM. FCV/1 Tø350 -UL- 5519562030
RTFOC00514	DISTANZ.INF/SUP SERR	ENTRETOISE .SERRURE FGC060/1	SPACER, LOCK.GC060/1	ABSTANDSSTÜCK, .VERRIEG.GC060/1
RTFOC00515	DISTANZ.CENT.SERR.FGC060/1	ENTRETOISE CENTR.SERRURE FGC060/1	SPACER, CENTR.LOCK.GC060/1	ABSTANDSSTÜCK, ZENTR.VERRIEG.GC060/1
RTFOC00520	ELETTROVALVOLA 3 VIE	ELECTROVANNE 3 VOIES	3 WAYS SOLENOID VALVE	MAGNETVENTIL 3 WEGE
RTFOC00555	AT.GRIGLIA LAT.F.FCV	SUPPORT	SUPPORT	HALTERUNG
RTFOC00573	PERNO GUIDA CONV.ARIA FGM100/1	PIVOT	PIN	ZAPFEN
RTFOC00624	REGOLATORE PRES.FGMD MW5208001	REGULATEUR PRESSION	PRESSURE REGULATOR	DRUCKREGLER
RTFOC00625	MANOMETRO FGMD WI8921180	MANOMÈTRE	MANOMETER	SICHERHEITSVENTIL
RTFOC00626	RACCORDO P/GOMMA	RACCORD	FITTING	STÜCK REIIGUNGSSYSTEM

= RICAMBI CONSIGLIATI

= PIÈCES DE RECHANGE RECOMMANDÉES

= RECOMMENDED SPARE PARTS

= EMPFOHLENE ERSATZTEILE