

HOOD TYPE MACHINE

INSULATED DOUBLE WALLED CAPOTE
ELECTROMECHANICAL SWITCHES

TYPE: H6U

Accessories

CAPOTE "LIFT" LIFTING SYSTEM

BREAK TANK

BOOSTER PUMP

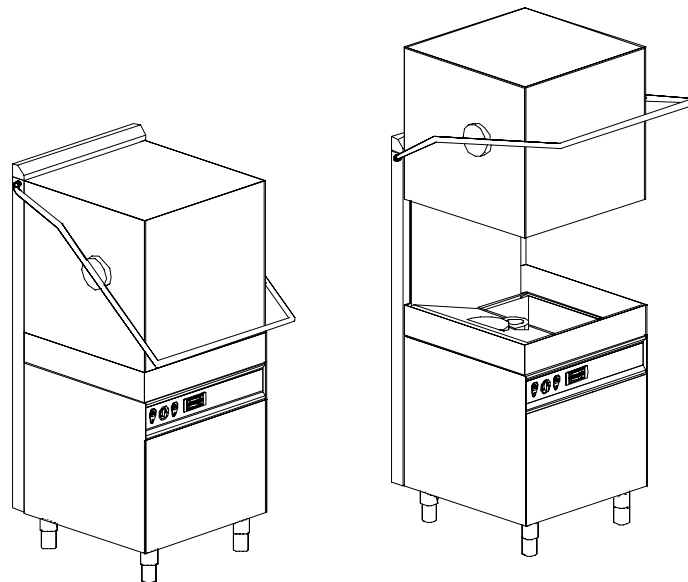
DVGW

WATER SOFTNER

DETERGENT DISPENSER

DRAIN PUMP

Spare parts manual



1. Spare parts

General body parts.....	5
Closing panelig.....	7
Control electric components.....	9
Control electric components.....	11
Solenoid valve group	13
Break Tank	15
Booster pump.....	17
DVGW	19
Water softner group.....	21
Shining product dosing device group .	23
Boiler group	25
Derivation group	27
Wash pump group.....	29
Pressure switch group with air trap ...	31
Turret group with rotating arms	33

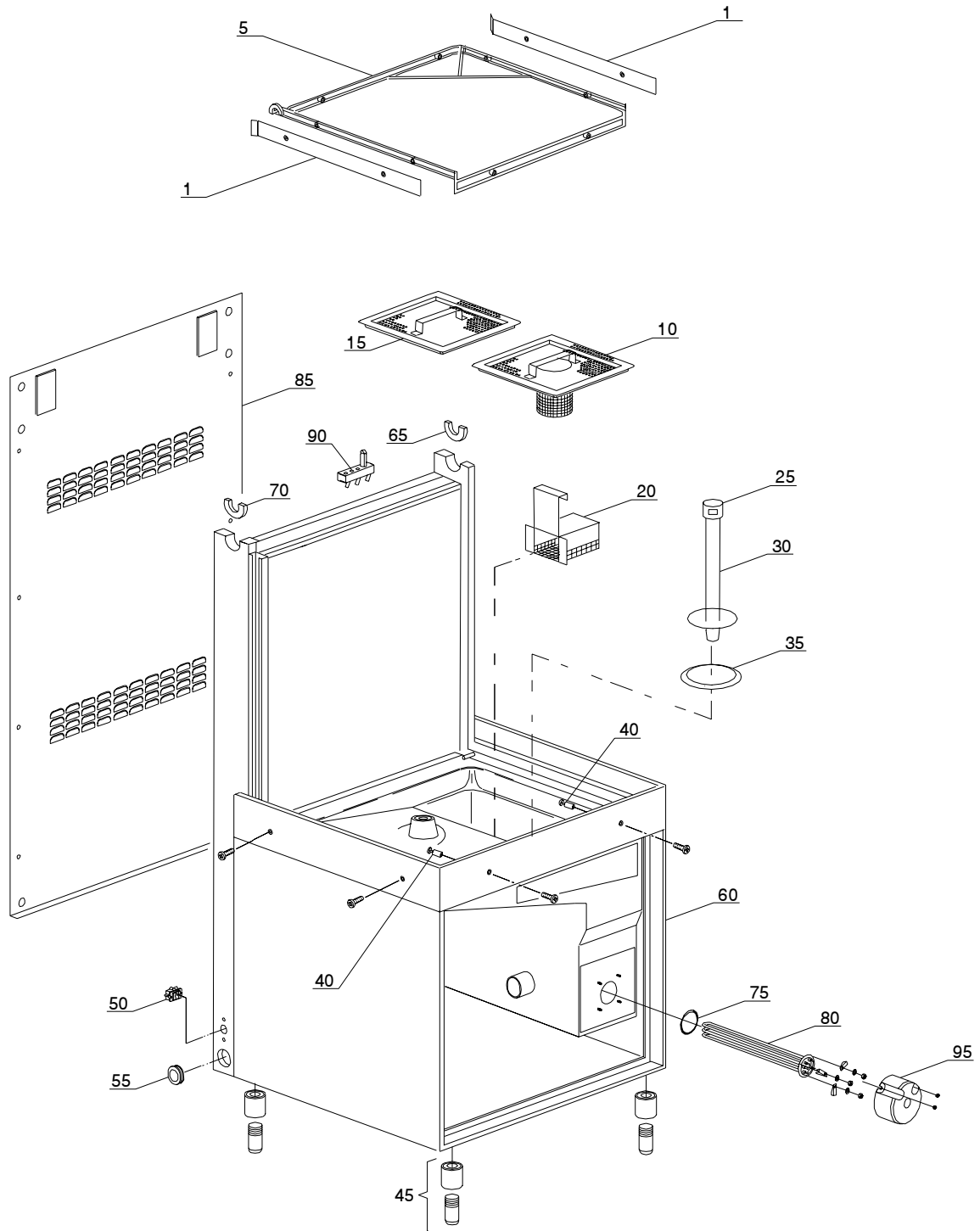
1.1 Voltage codes

Voltage code	Voltage
A	3/N/PE~400/230V 50Hz
B	~250V 16A 50Hz
C	3/N/PE~380/220V 50Hz
D	3/PE~200V 50-60Hz
F	2/PE 220-240V 50Hz
G	3/N/PE~415/240V 50Hz
H	3/PE~230V 50Hz
I	3/PE~220V 60Hz
J	3/PE~380 50Hz
K	3/PE~400V 50Hz
L	3/PE~415V 50Hz
M	3/PE~440V 60Hz
N	3/PE~460V 60Hz
O	3/PE~480V 60Hz
P	1/N/PE~220-240V 50Hz
R	2/PE~220-230V 60Hz
S	3/N/PE~400/230V 50Hz
T	3/PE~230V 60Hz

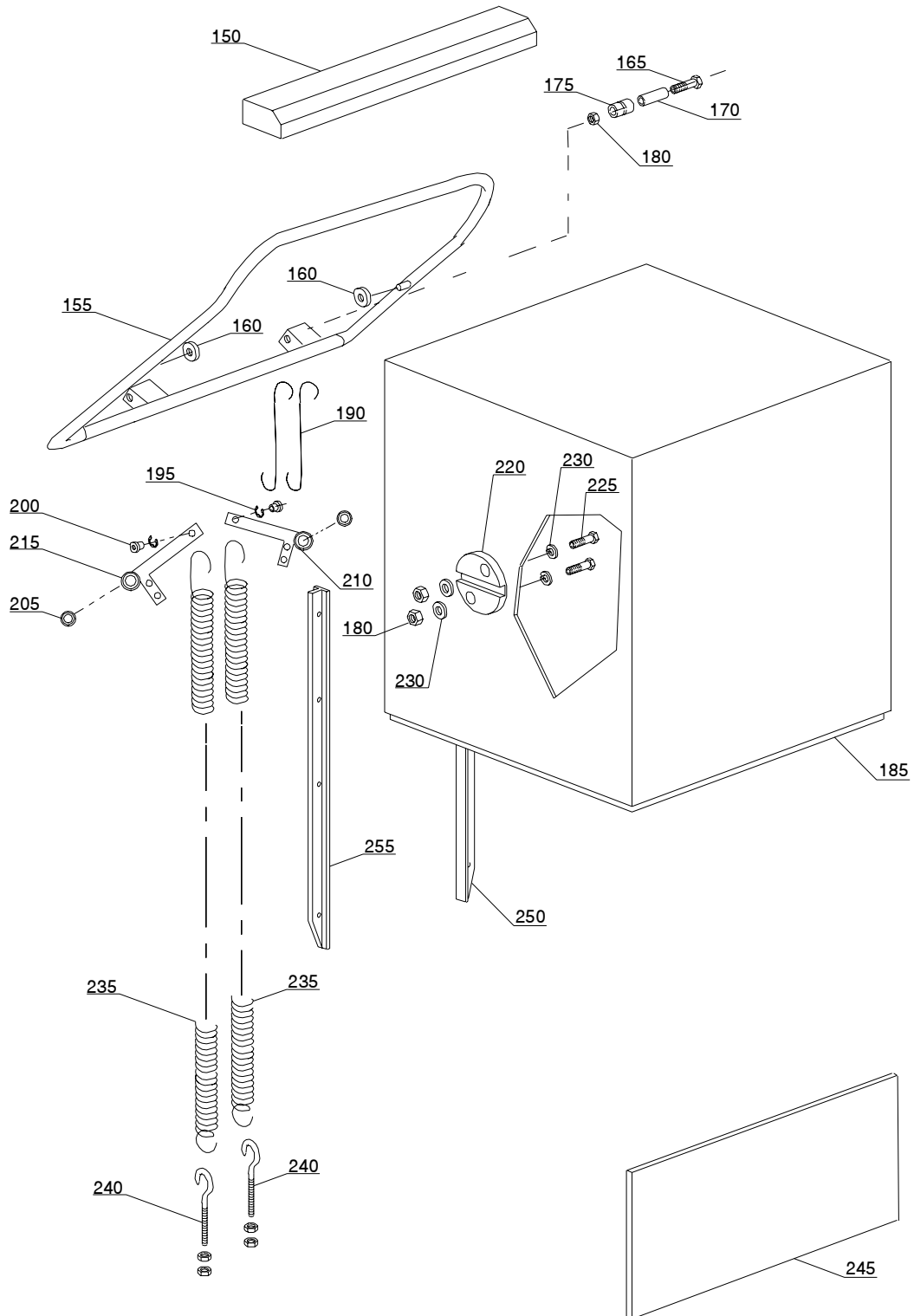
1.2 Product codes

Product code	Full name
Model codes	
is	INSULATED DOUBLE WALLED CAPOTE
em	ELECTROMECHANICAL SWITCHES
Type codes	
H6U	H6U
Accessory codes	
lift	CAPOTE "LIFT" LIFTING SYSTEM
bt	BREAK TANK
pap	BOOSTER PUMP
dvgw	DVGW
d	WATER SOFTNER
dde	DETERGENT DISPENCER
ps	DRAIN PUMP

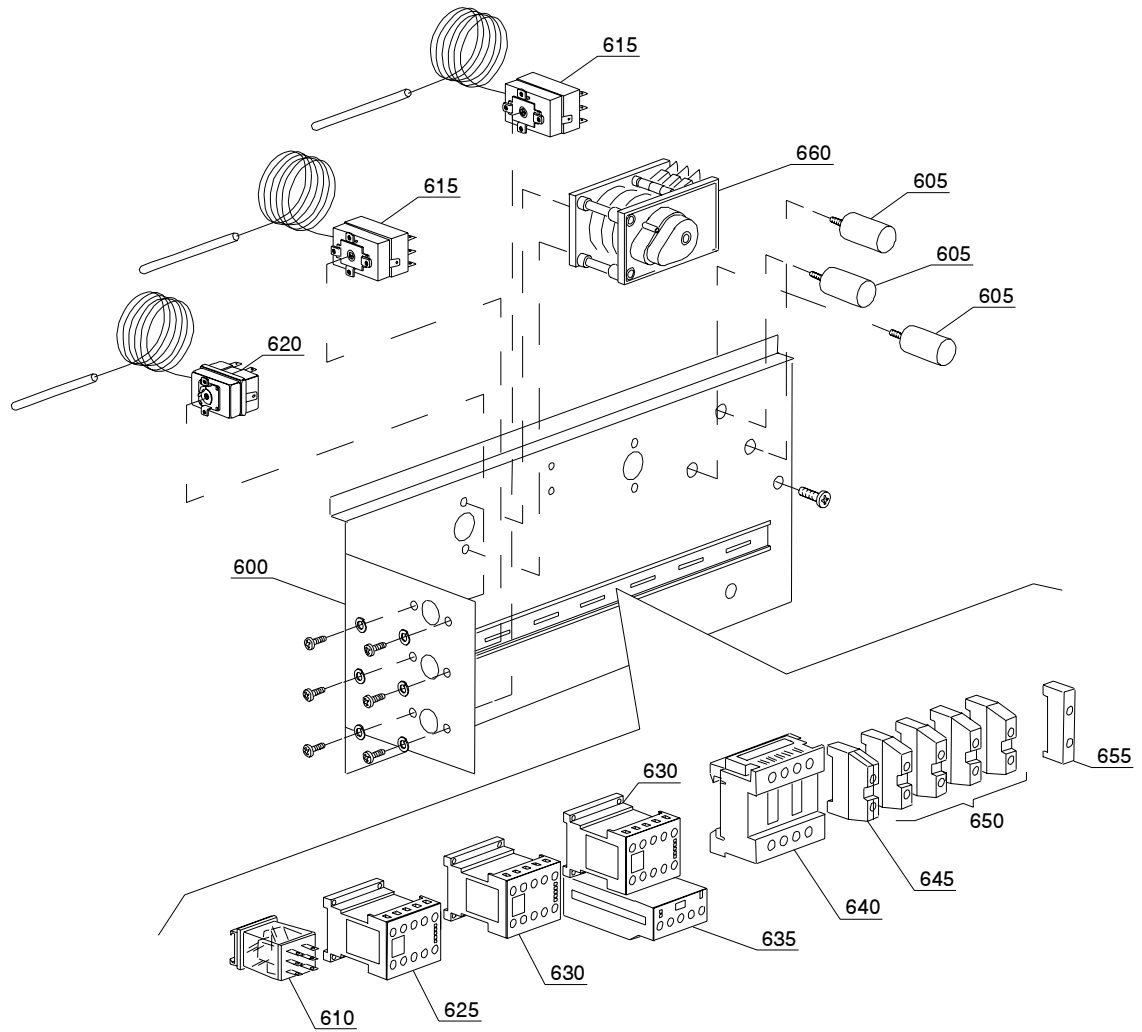
01_004_e

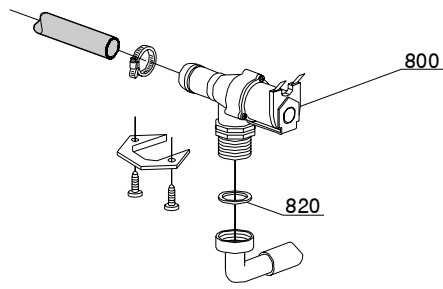


02_202_e



04_005_e



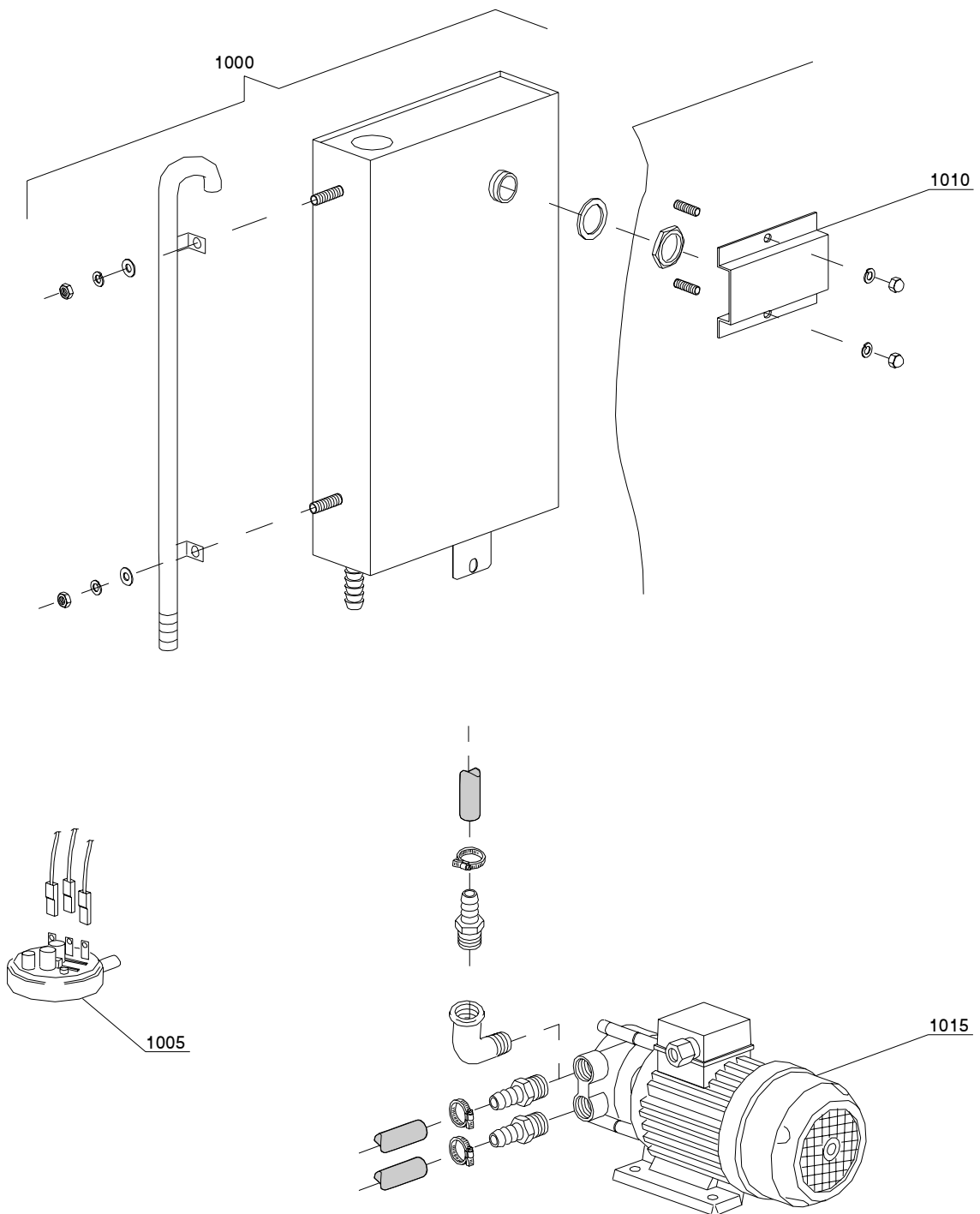


05_005_e

Spare parts

ID	P-code	Model	Type	Accessory	Voltage	Description
MODULE:Solenoid valve group						
800	30001000		H6U			Single solenoid valve
820	N.C.		H6U			Pression reducing valve

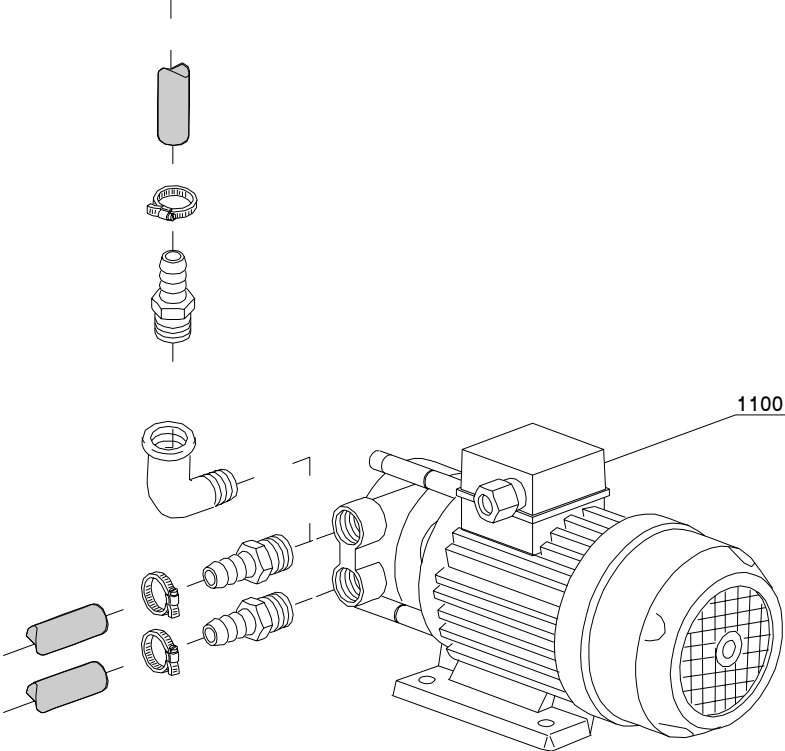
06_001_e



Spare parts

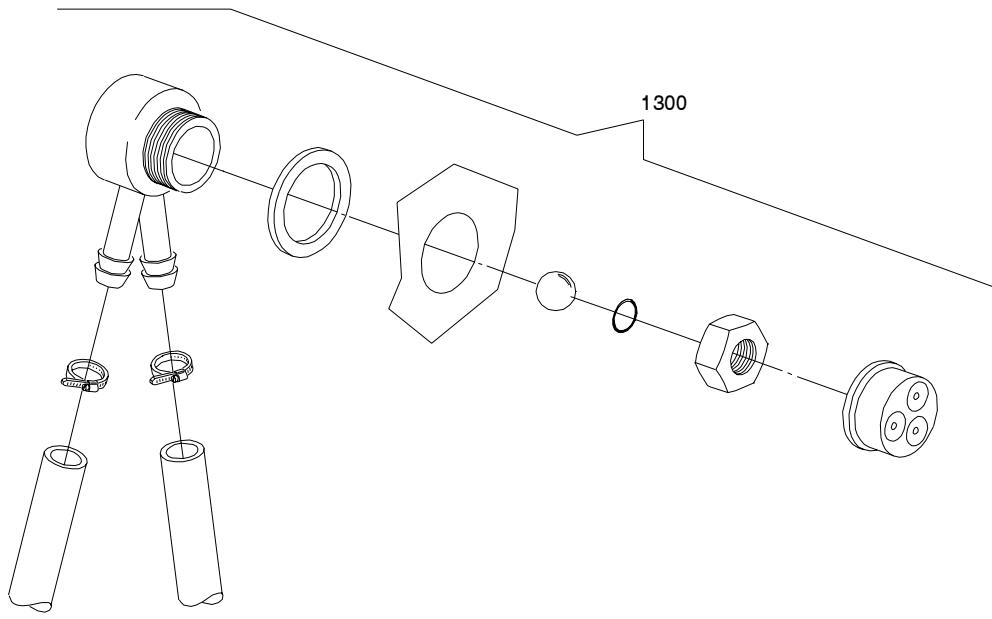
ID	P-code	Model	Type	Accessory	Voltage	Description
MODULE:Break Tank						
1000	15735		H6U	bt		Break tank assembly
1005	10706/A		H6U	bt		47-27 pressure switch
1010	15738		H6U	bt		Hole protection
1015	15100		H6U	bt		Booster pump

07_002_e



Spare parts

ID	P-code	Model	Type	Accessory	Voltage	Description
MODULE:Booster pump						
1100	15100		H6U	bp		Booster pump

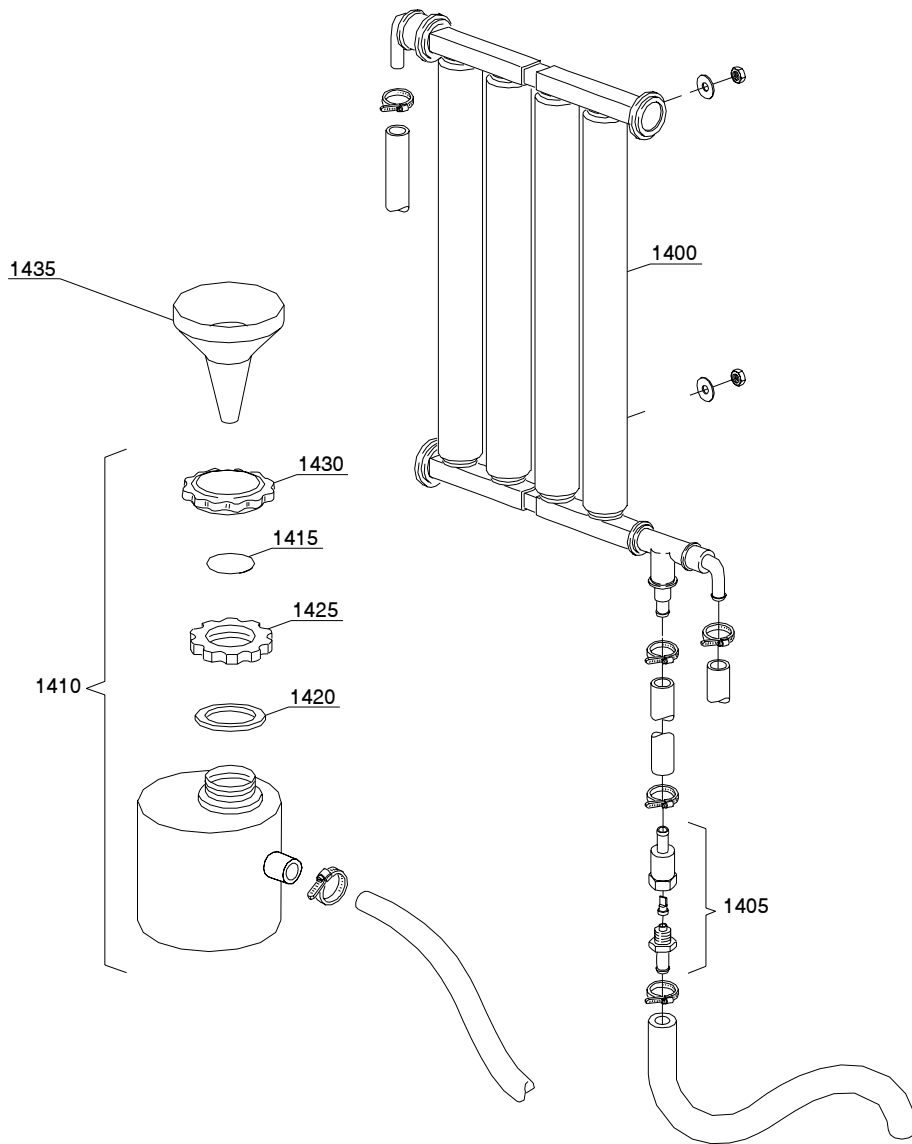


08_005_e

Spare parts

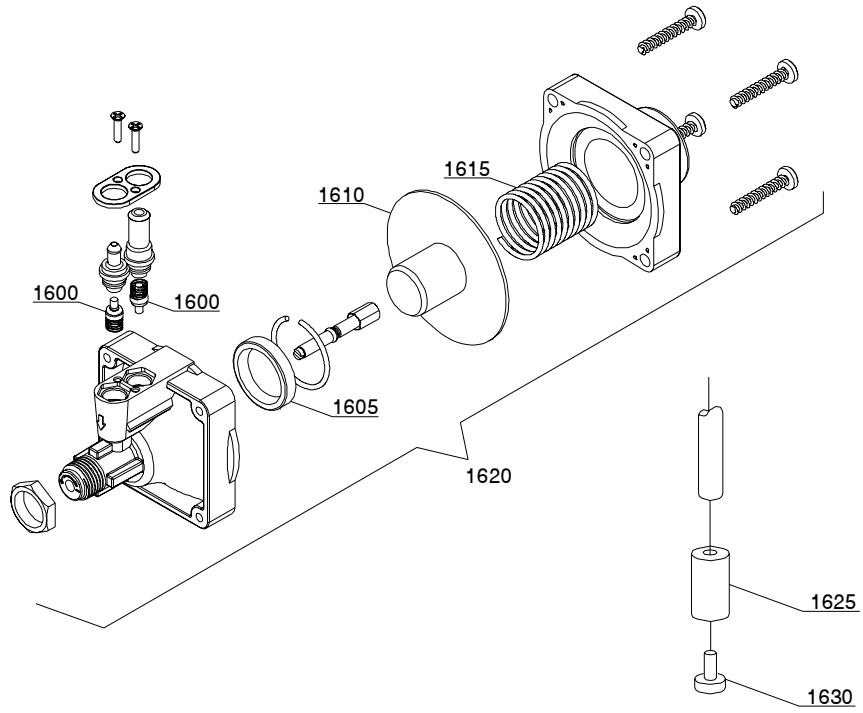
ID	P-code	Model	Type	Accessory	Voltage	Description
MODULE:DVGW						
1300	999900006		H6U	dvgw		DVGW assembly

09_001_e



Spare parts

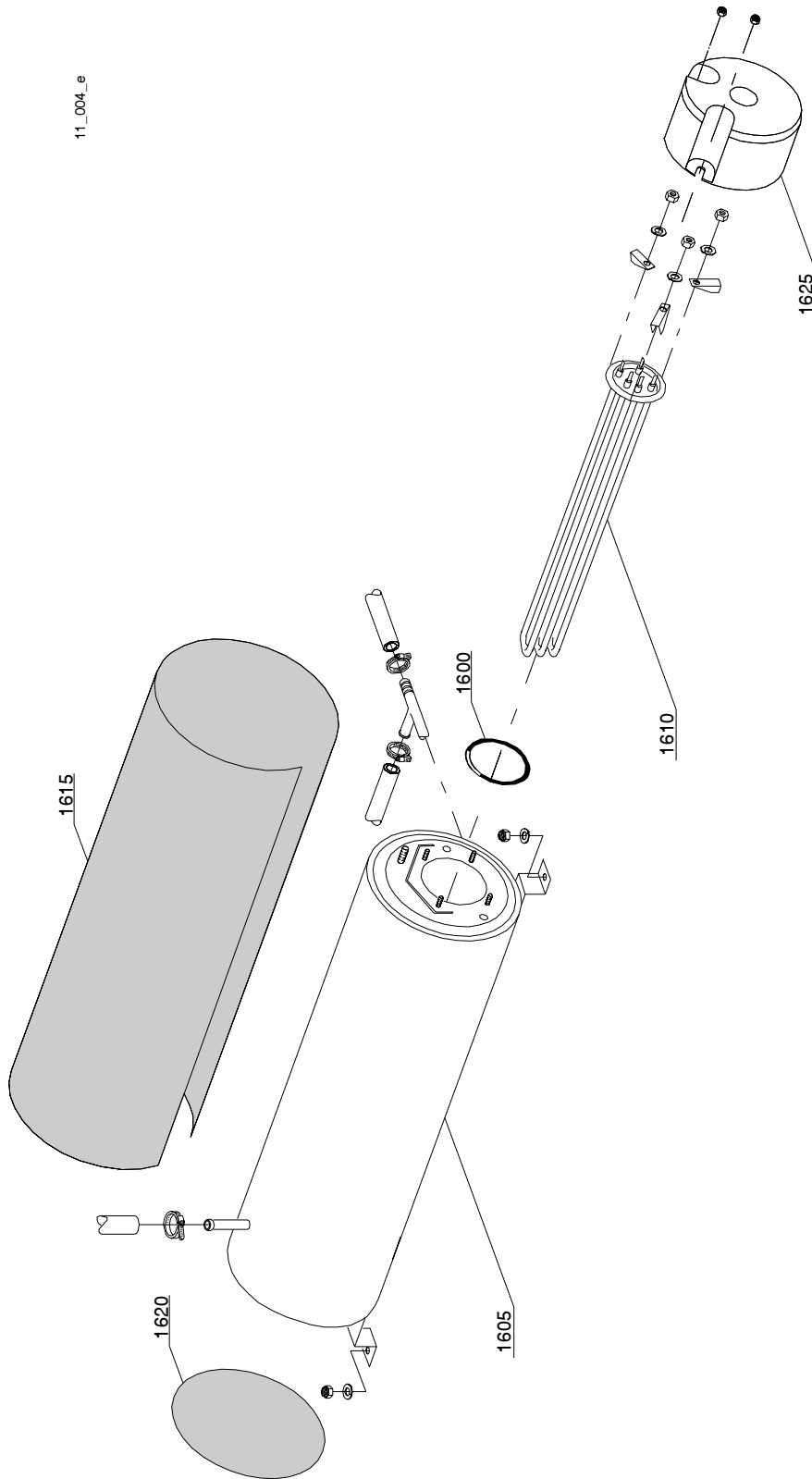
ID	P-code	Model	Type	Accessory	Voltage	Description
MODULE:Water softner group						
1400	16066		H6U	ws		4 elements water softner
1405	16070		H6U	ws		Nonreturn valve
1410	16065		H6U	ws		Salt container
1415	16067/A		H6U	ws		OR gasket
1420	16067/B		H6U	ws		Gasket
1425	16067/C		H6U	ws		Ring nut
1430	16067/D		H6U	ws		Plug
1435	16082		H6U	ws		Funnel



10_003_e

Spare parts

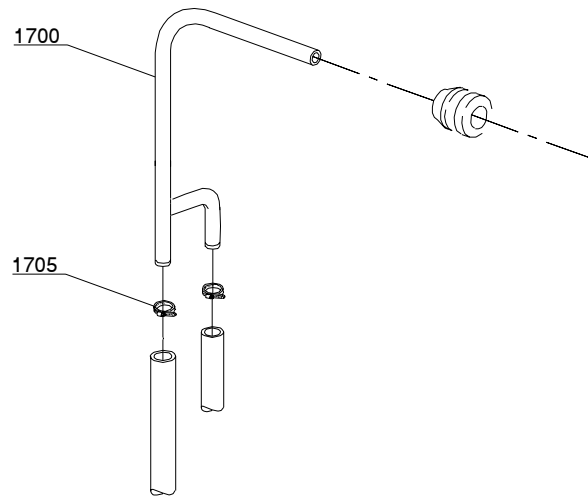
ID	P-code	Model	Type	Accessory	Voltage	Description
MODULE:Shining product dosing device group						
1600	10805		H6U			Tecnopro dosing valve
1605	10806		H6U			Ø22 gasket
1610	10807		H6U			Membrane
1615	10808		H6U			Spring
1620	10599999		H6U			Shining product dosing device
1625	12525		H6U			Counter-weight
1630	15058		H6U			Small filter



Spare parts

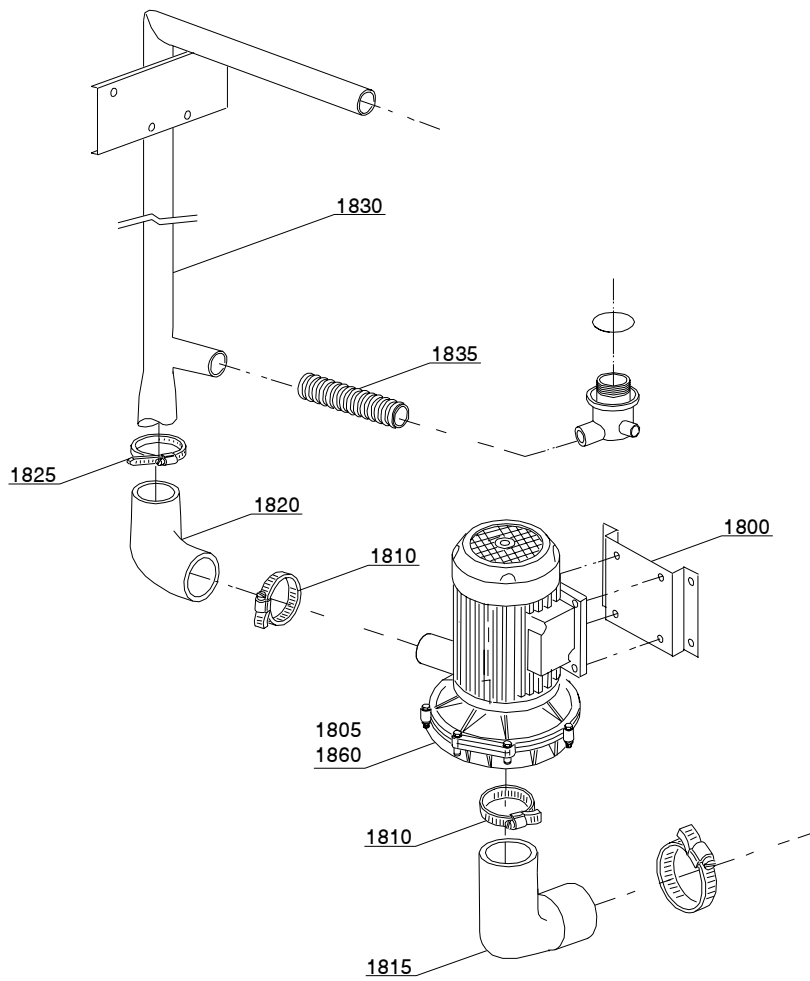
ID	P-code	Model	Type	Accessory	Voltage	Description
MODULE:Boiler group						
1600	13015		H6U			6225 OR 160 NBR gasket
1605	22002		H6U			Boiler
1610	30001011		H6U			9KW heating element
1615	30002030		H6U			Insulating boiler
1620	75205		H6U			Ø160 bottom
1625	75311		H6U			Heating element guard

12_007_e



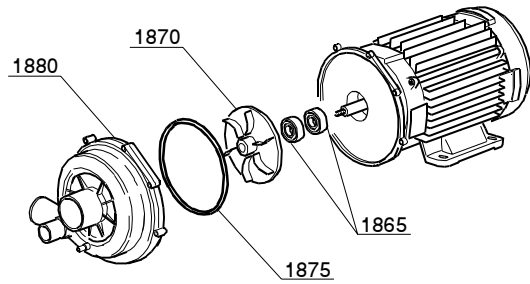
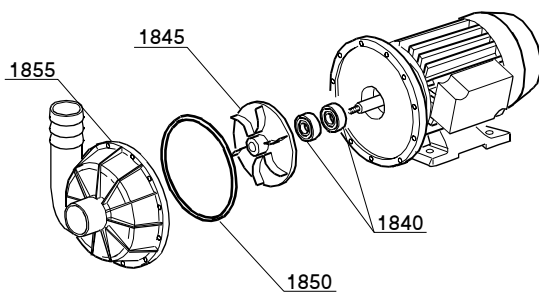
Spare parts

ID	P-code	Model	Type	Accessory	Voltage	Description
MODULE:Derivation group						
1700	15045/B		H6U			3 ways derivation
1705	11807		H6U			12/22 clamp

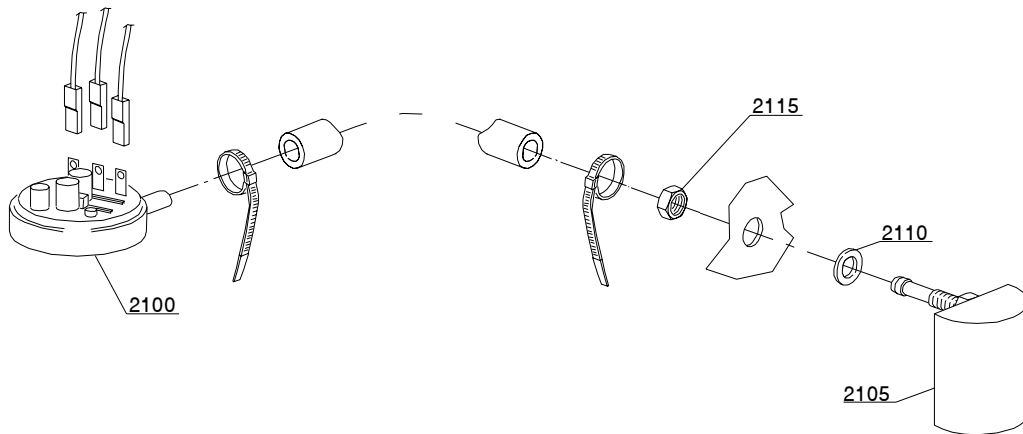


1805

1860



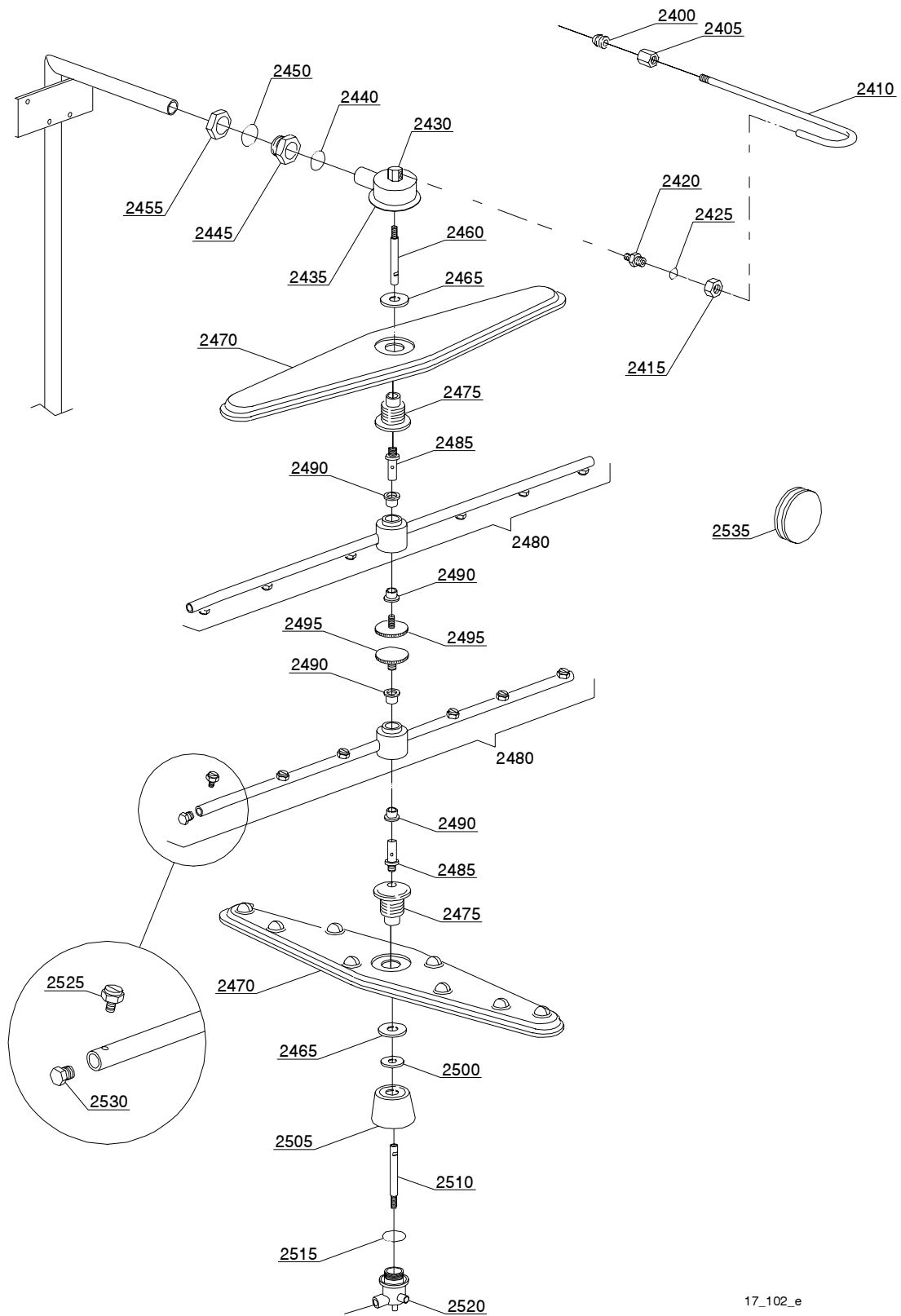
13_104_e



16_001_e

Spare parts

ID	P-code	Model	Type	Accessory	Voltage	Description
MODULE:Pressure switch group with air trap						
2100	88110		H6U			260-30 pressure switch
2105	10911/B		H6U			Air trap assembly
2110	13301		H6U			Gasket
2115	11702		H6U			M8 stainless steel nut



17_102_e

