

54404900

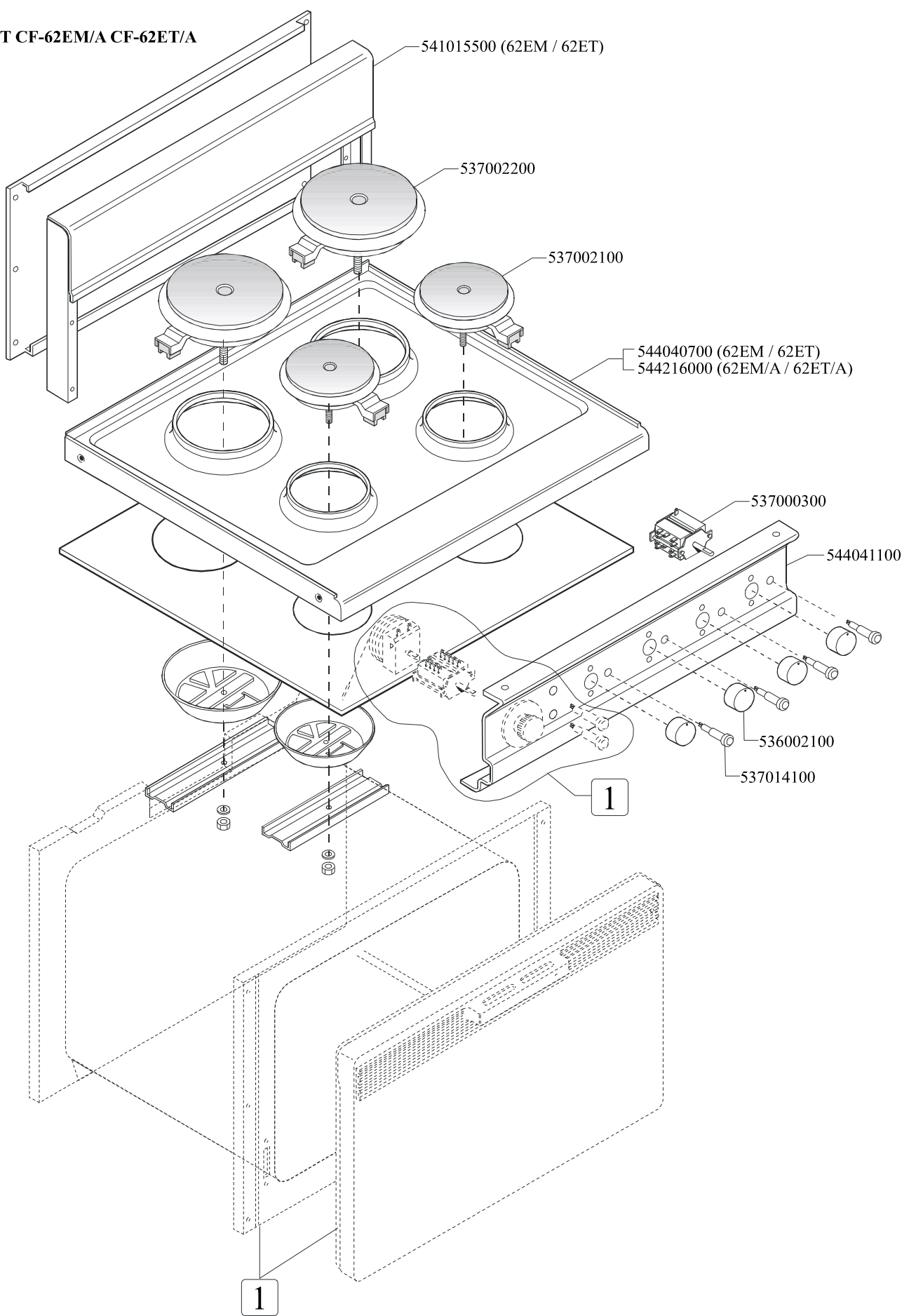
537007600 (EM)
537007700 (ET)

531008100

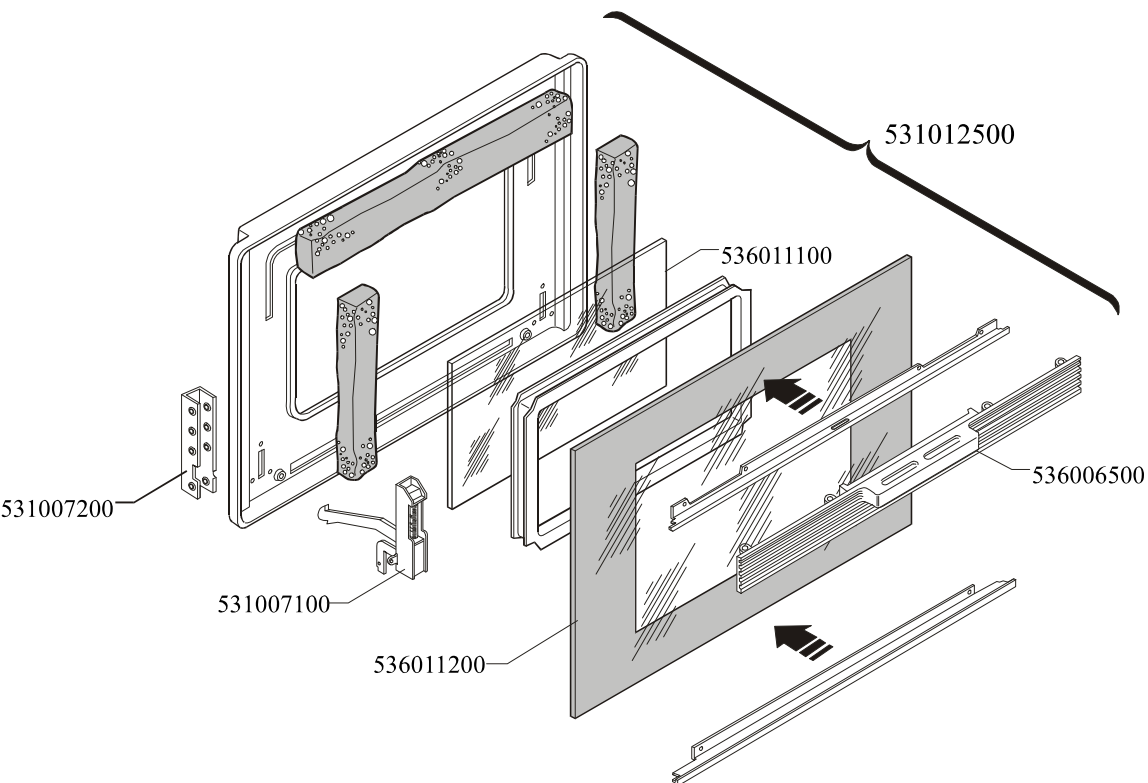
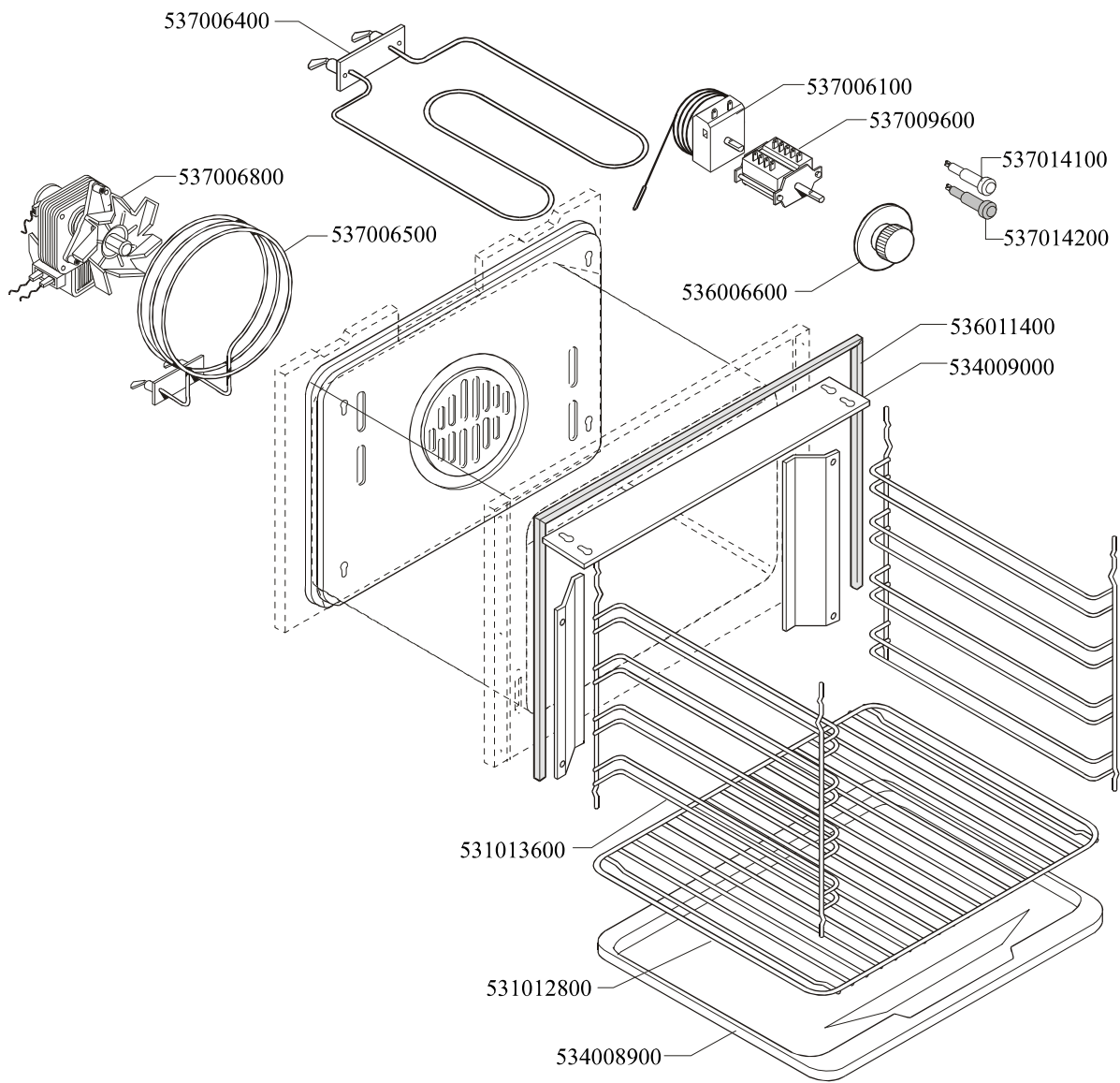
536012000

537014000

CF-62EM CF-62ET CF-62EM/A CF-62ET/A



**FORNO VENTILATO
 ELETTRICO E PORTA
 VETRO CF...-62... /
 ELECTRIC
 CONVECTION OVEN
 AND GLASS DOOR CF...-
 62 / ELEKTRO
 HEISSLUFTBACKOFEN
 UND GLASTÜR CF...-62...
 / FOUR ELECTRIQUE A
 CONVECTION ET PORTE
 VITREE CF...-62...**



Page	Pos	Code	Description
001		544040900	SIDE RANGE CF-62
001		537007600	TERMINAL BLOCK SINGLEPHASE 40A
001		536012000	HEXAGONAL LOCK NUT PG-21
001		537014000	CABLE SECURING CLAMP PG-21
001		531008100	ADJUSTABLE LEG H9 CHROME
002		541015500	NEUTRAL SPACER 62
002		537002200	ELECTRICAL PLATE D.180 W1500 V230
002		537002100	ELECTRICAL PLATE D.145 W1000 V230
002		544040700	UPPER PLATE CF-62E
002		537000300	COMMUTATOR 7 POSITIONS S.49 16A
002		544041100	CONTROL PANEL CF-62E
002		536002100	KNOB 7 POSITIONS SNACK
002		537014100	WHITE WARNING LIGHT 250V
003		537006400	OVEN HEATING EL.W1500 V220 CF-62
003		537006800	FAN 240V CF-62
003		537006500	HEATING ELEMENT W2000 V230 CF-62
003		537006100	OVEN THERMOSTAT CF-62/8/10
003		537009600	OVEN COMMUTATOR CF-62E
003		536006600	OVEN KNOB CF-62
003		537014100	WHITE WARNING LIGHT 250V
003		537014200	GREEN WARNING LIGHT 250V
003		536011400	OVEN GASKET CF-62
003		534009000	GRILL PROTECTION CF-62
003		531013600	SIDE GRID FOR MAXI/VENTILATED OVEN
003		531012800	OVEN GRID CF-62
003		534008900	OVEN DRIPPING-PAN CF-62
003		531007200	DOOR WHEEL HOLDER CF-62
003		531007100	OVEN DOOR HINGE FOR CF-62
003		536011200	EXTERNAL GLASS FOR OVEN DOOR CF-62
003		536011100	INTERNAL GLASS FOR OVEN DOOR CF62
003		536006500	OVEN DOOR HANDLE CF-62
003		531012500	COMPLETE OVEN DOOR CF-62