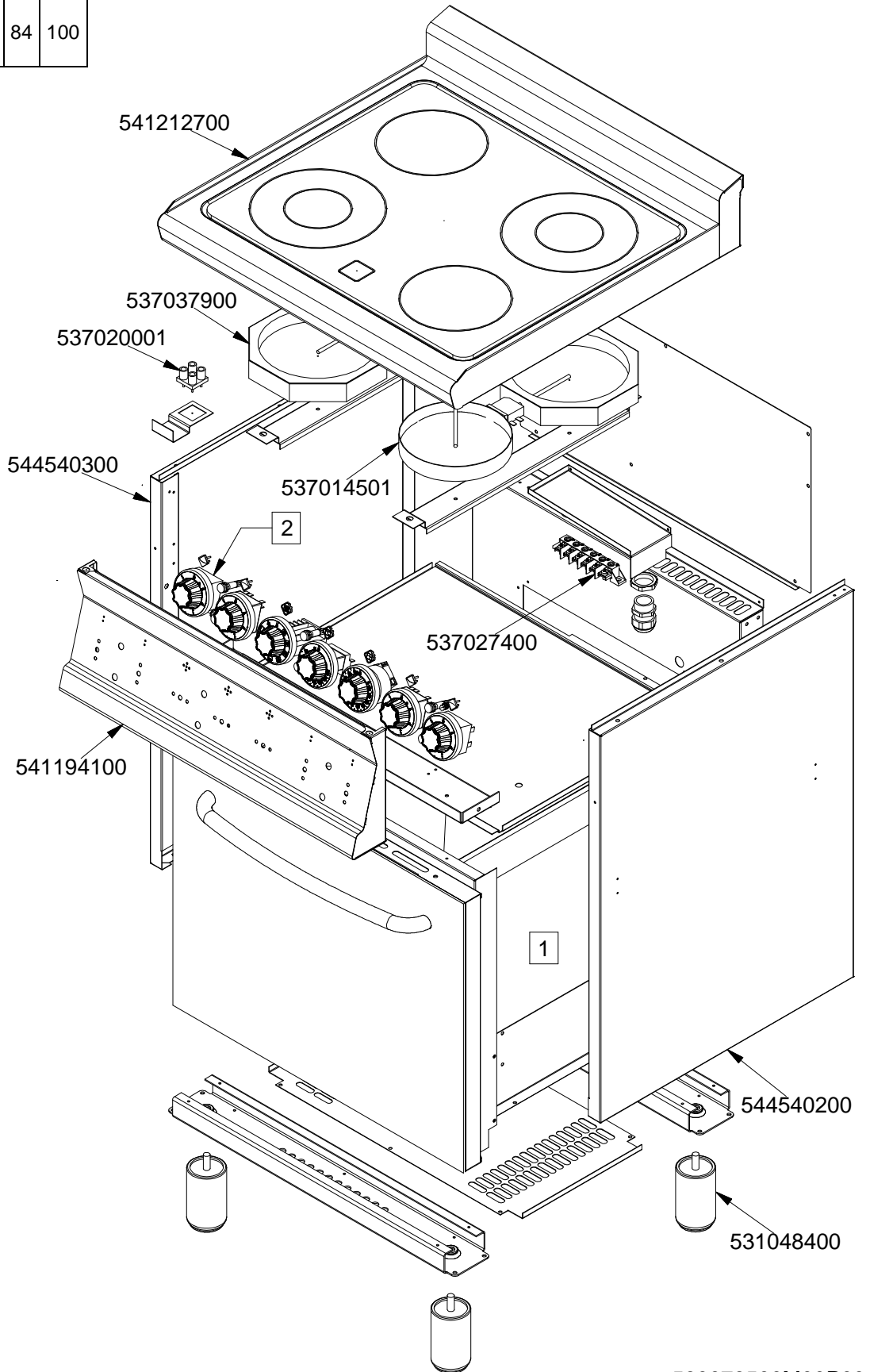


MAGICLOTUS 60

CUCINE / RANGES / HERDE / CUISINIÈRES

CFMC4-66ET

	1	2
Vedi Pagina See Page Siehe Seite Voir Page Ver Pàgina	84	100

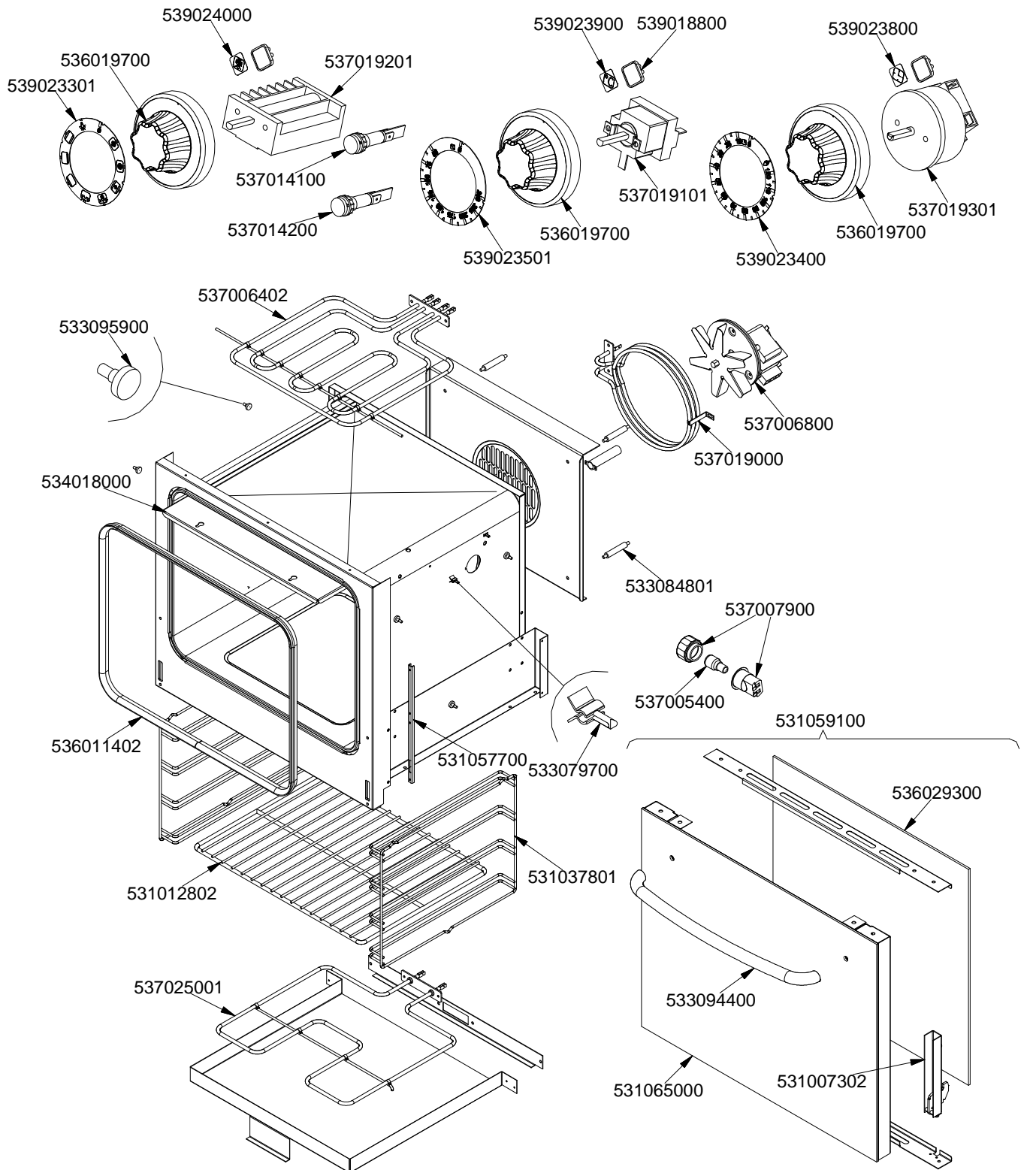


560079500M00P00.

MAGICLOTUS 60

CUCINE / RANGES / HERDE / CUISINIÈRES
FORNO / OVEN / BACKOFEN / FOUR / CF...-66

ELETTRICO MULTIFUNZIONE / MULTIFUNCTION ELECTRIC / MULTIFUNKTIONS
ELEKTRO / ELECTRIQUE A FONCTIONS MULTIPLES



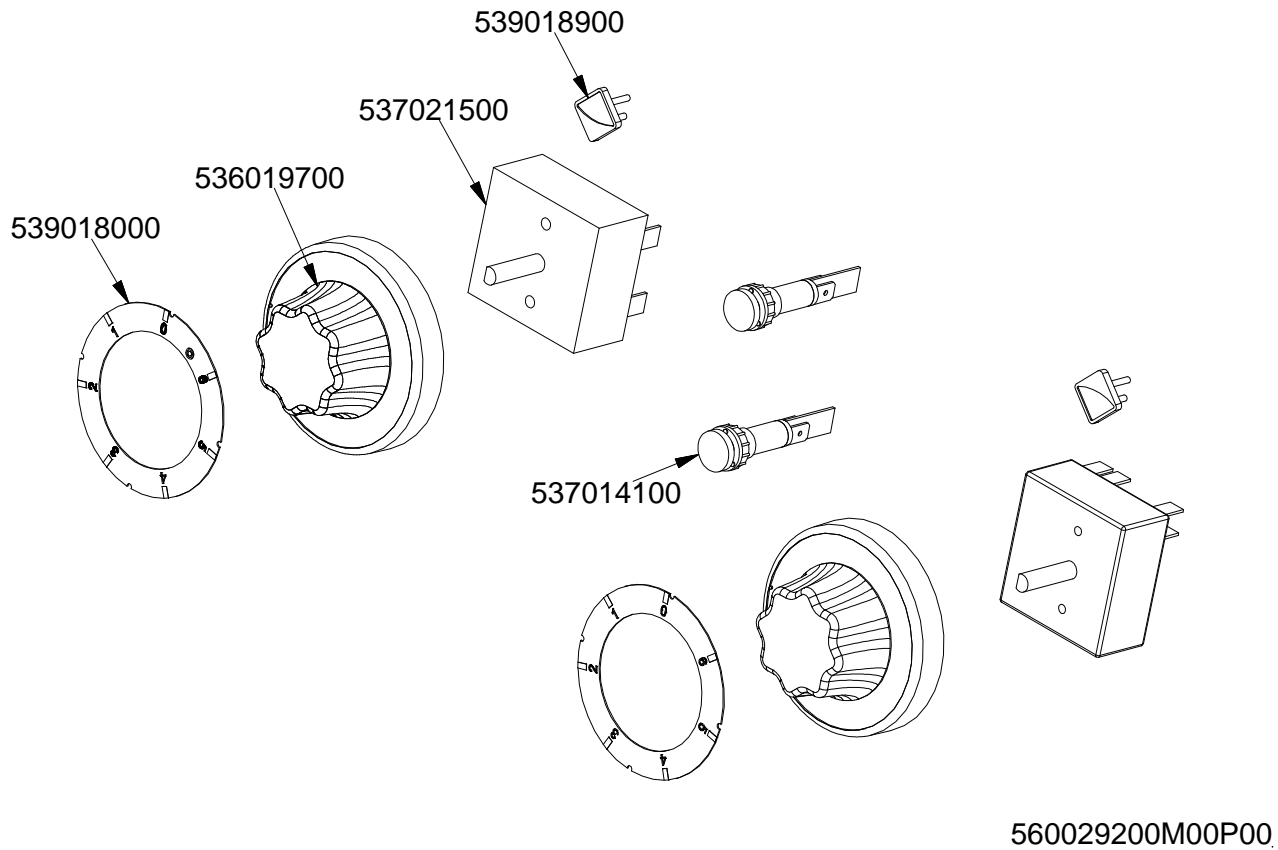
560080700M00P00.

MAGICLOTUS 60

CUCINE / RANGES / HERDE / CUISINIÈRES

COMPONENTI COMUNI / STANDARDS PARTS / UEBLICHE TEILE / COMPOSANTS COMMUNS

PCCT-E CFC-E



Page	Pos	Code	Description
001		541212700	GLASS UPPER PLATE FOR PCCT-66E
001		537037900	ELECTR.PLATE Ø200 0700+1400W230V
001		537020001	REMAINING HEAT 4 PILOT LIGHTS UNIT
001		544540300	
001		537014501	EL. PLATE PCC-60 D.165 1200W 230V
001		537027400	TERMINAL BLOCK THREEPHASE 40A
001		541194100	CONTROL PANEL 607090 CF4-6 6 E
001		544540200	
001		531048400	INOX LEG Ø1"3/4 100-165 M10
002		539024000	SIGN PLATE FOR OVEN SELECTOR
002		539018800	INDEX FOR OVEN KNOB
002		539023800	SIGN PLATE FOR OVEN TIMER
002		539023900	SIGN PLATE FOR OVEN TEMPERATURE
002		536019700	BLACK KNOB §70 PIN §6*5
002		539023301	ADHESIVE GRADUATED*EL.MULTIF.COMM.
002		537019201	OVEN COMMUTATOR MULTIF.60+65
002		537014100	WHITE WARNING LIGHT 250V
002		537019101	THERMOSTAT MONOPHAS.050-320°C F.MF
002		537019301	
002		537014200	GREEN WARNING LIGHT 250V
002		539023501	ADHESIVE GRAD.DISC *E.MULTIF.TERM.
002		539023400	ADHESIVE GRADUATED DISC F.KNOB
002		537006402	OVEN ELEMENT * 62 SUP. 2500W 230V
002		533095900	PIN FOR GRIDSHOLDER SUPPORT CF 60
002		537006800	FAN 240V CF-62
002		537019000	CIRCULAR HEATING ELEMENT FOR OVEN
002		534018000	
002		533084801	PANEL SPACER OF AIR DIFF.MAXI OVEN
002		537007900	OVEN BULB-SOCKET
002		537005400	OVEN BULB 15W 300°C
002		531059100	
002		536011402	OVEN GASKET CF-62
002		531057700	DOOR WHEEL HOLDER F.MAXI OVEN 60T
002		533079700	LOCK SPRING FOR BULB §3/§4
002		536029300	
002		531007302	DOOR HINGE FOR MAXI OVEN 60.LINE
002		531037801	SUPPORT GRID OVEN NEW CF-62E
002		531012802	OVEN GRID CF-62E
002		537025001	OVEN HEATING EL.W1600 V230 62
002		533094400	S/S OVEN DOOR HANDLE FOR 60T-LINE
002		531065000	
003		539018900	INDEX FOR KNOB
003		537014100	WHITE WARNING LIGHT 250V
003		537021500	REGULATOR FOR EL.PLATE 2CIRC.230V
003		536019700	BLACK KNOB §70 PIN §6*5
003		539018000	ADHESIVE GRAD.DISC 7POS.DOUBLE RED