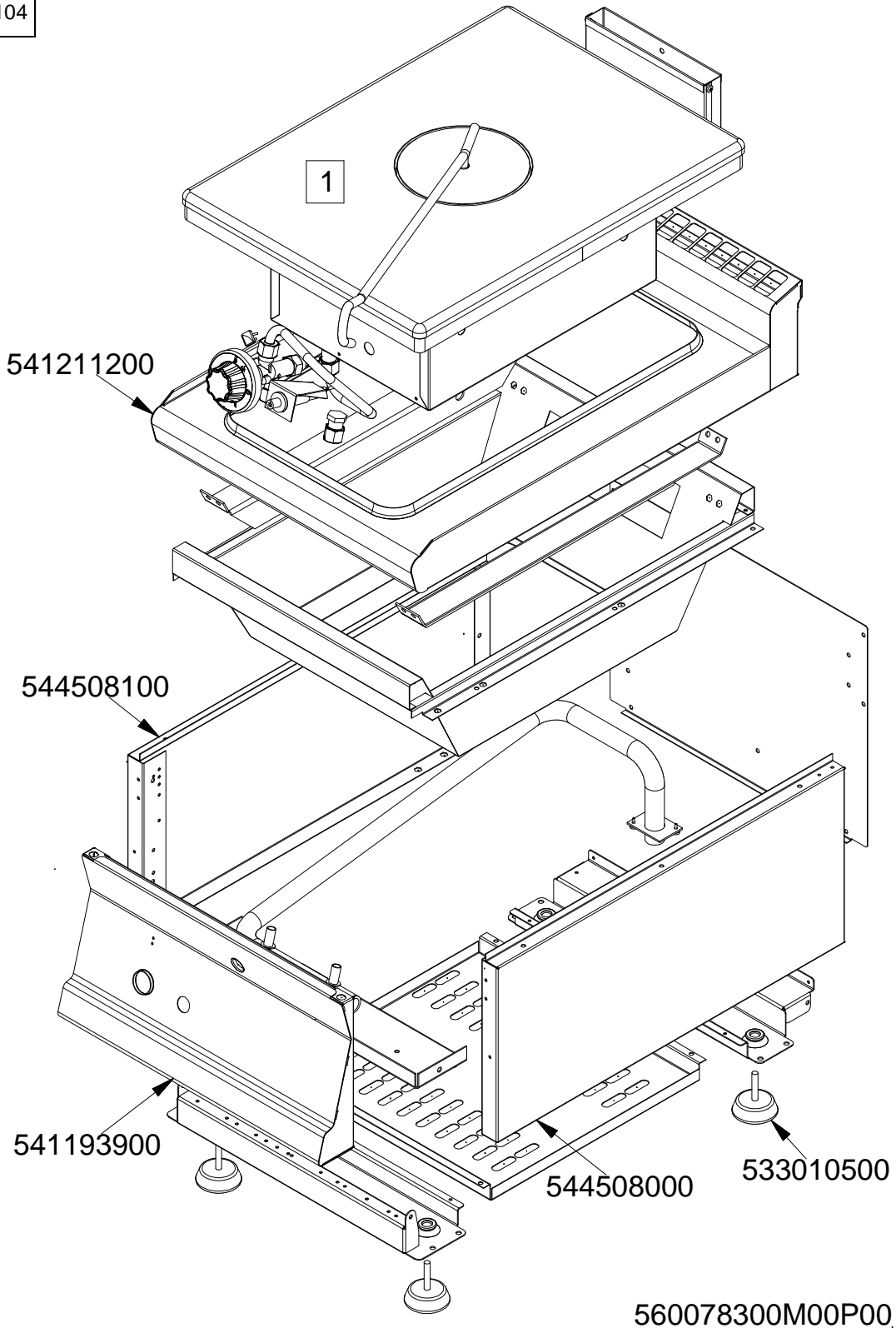


MAGICLOTUS 60

CUCINE / RANGES / HERDE / CUISINIÈRES

TPT-64G

	1
Vedi Pagina See Page Siehe Seite Voir Page Ver Pàgina	104

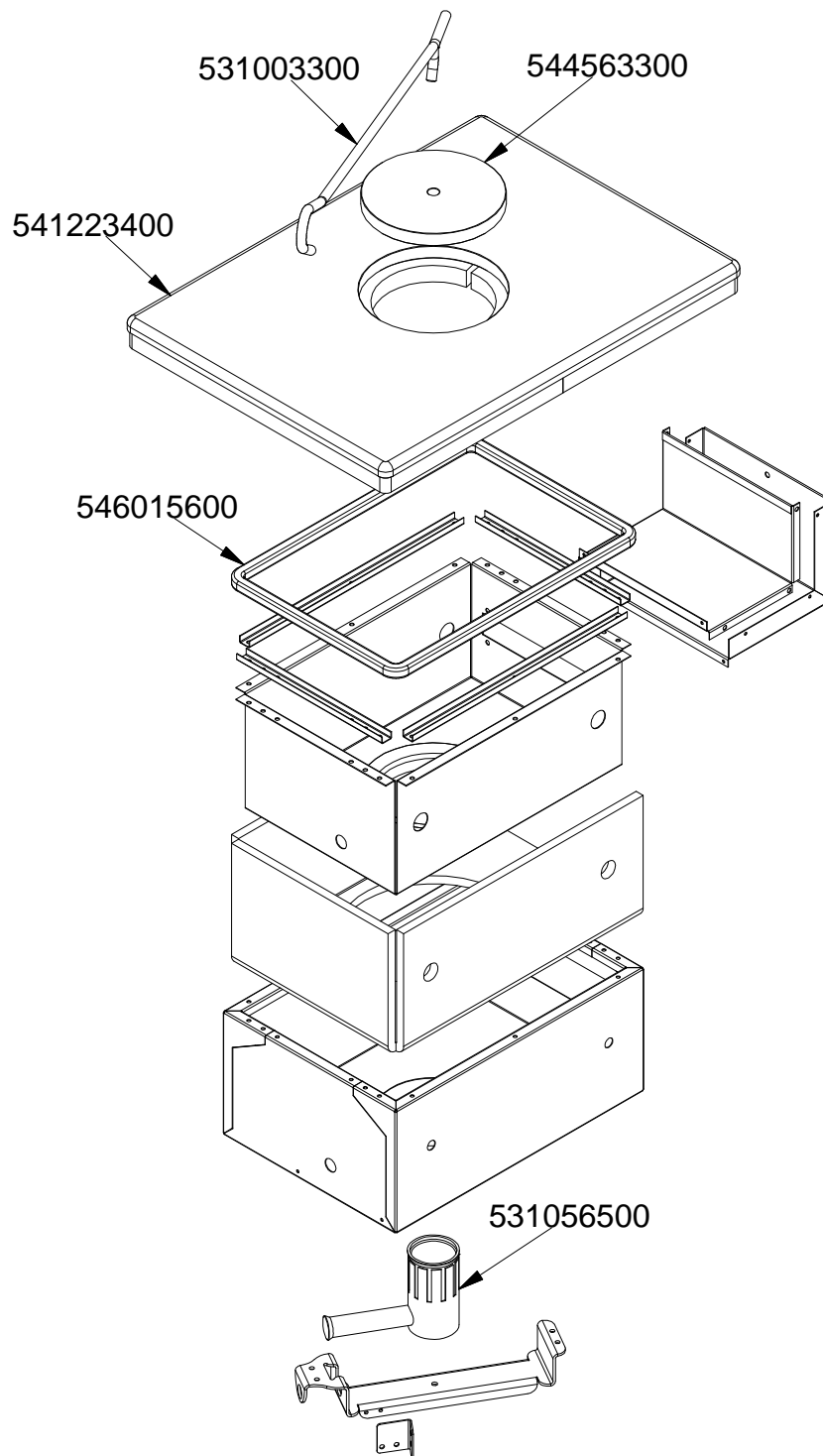


MAGICLOTUS 60

CUCINE / RANGES / HERDE / CUISINIÈRES

COMPONENTI COMUNI / STANDARDS PARTS / UEBLICHE TEILE / COMPOSANTS COMMUNS

TPT



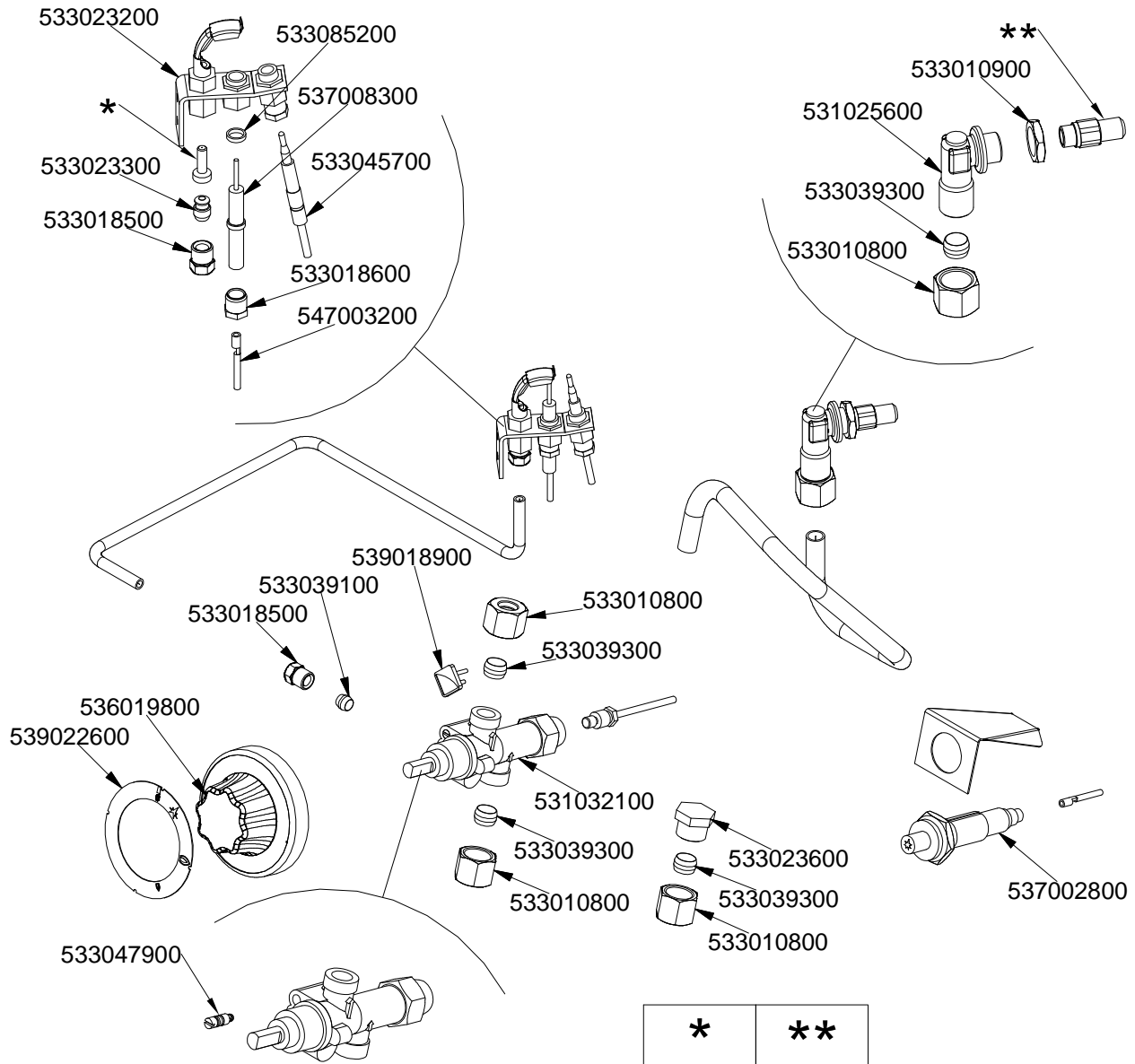
560078400M00P00

MAGICLOTUS 60

CUCINE / RANGES / HERDE / CUISINIÈRES

COMPONENTI COMUNI / STANDARDS PARTS / UEBLICHE TEILE / COMPOSANTS COMMUNS

TPT



	*	**
G30-28+30mbar G31- 37mbar	533020500	533109800
G30- 50mbar	533020500	533109900
G20- 20mbar G25- 25mbar	533020600	533110000
G20- 20mbar DE-AT	533020600	533110000
G25- 20mbar	533020600	533058100
G25- 25mbar NL	533020600	533110100

560078500M00P00

Page	Pos	Code	Description
001		541211200	
001		544508100	
001		541193900	CONTROL PANEL 607090 TPT-6 4G
001		533010500	LEG M10*25 D.40
001		544508000	
002		531003300	TP-PLATE LIFTING HOOK
002		544563300	PLATE RING FOR TPT-64G
002		541223400	PLATE OF TPT-64G
002		546015600	
002		531056500	CIRCULAR BURNER TPT-64G 5,8KW
003		533023200	"TARGET" PILOT + NIPPLE TC BRAC.90°
003		533085200	
003		533010900	NUT M14*1 H.4
003		537008300	ROUND PLUG §2,4- LONG ELECTRODE
003		531025600	ELBOW 90° NOZZLE-HOLDER §10 PIPE
003		533023300	BICONE §6 ("TARGET" PILOT)
003		533039300	BICONE §10
003		533018500	FITTING FOR BICONE D.6 M10*1
003		533010800	TUBE NUT D.10 M16*1,5
003		533018600	PLUG FITTING
003		547003200	HIGH-VOLTAGE CABLE TUBE.§2 L=500
003		533045700	THERMOCOUPLE M9*1 500
003		539018900	INDEX FOR KNOB
003		533039100	BICONE §6
003		536019800	BLACK KNOB §70 PIN §8*6,5
003		539022600	GRADUATED STICKER FOR KNOB
003		533023600	TAP PLUG §10 M16*1, 5CH19
003		531032100	GAS COCK 21S P.V.BY-PASS Ø100
003		537002800	PIEZOELECTRIC IGNITION M18
003		533047900	BY PASS COCK §100 21S
003		533020500	NOZZLE 0.140 §19
003		533109800	NOZZLE §120A CH12*30,0
003		533109900	NOZZLE CH12X30,0 Ø105B
003		533020600	NOZZLE 0.140 §27
003		533110000	NOZZLE §170A CH12X30,0
003		533058100	NOZZLE §190 CH12*30 G-BRF78
003		533110100	NOZZLE §180 CH12X30,0