



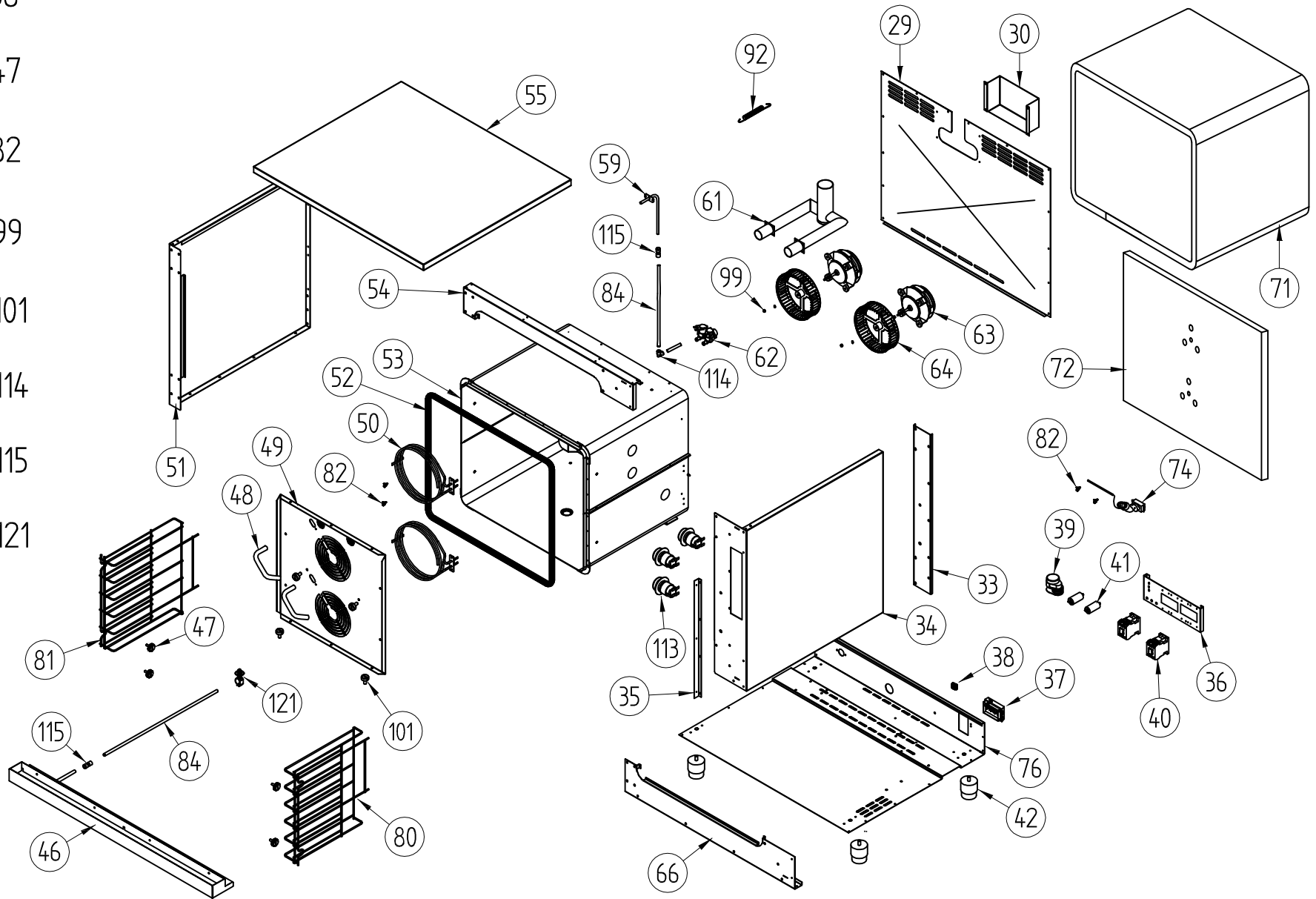
Heißluftöfen & Kombidämpfer Kombidämpfer

Artikel-Nr. 212016 (P916RXS)

Explosionszeichnung / Ersatzteile

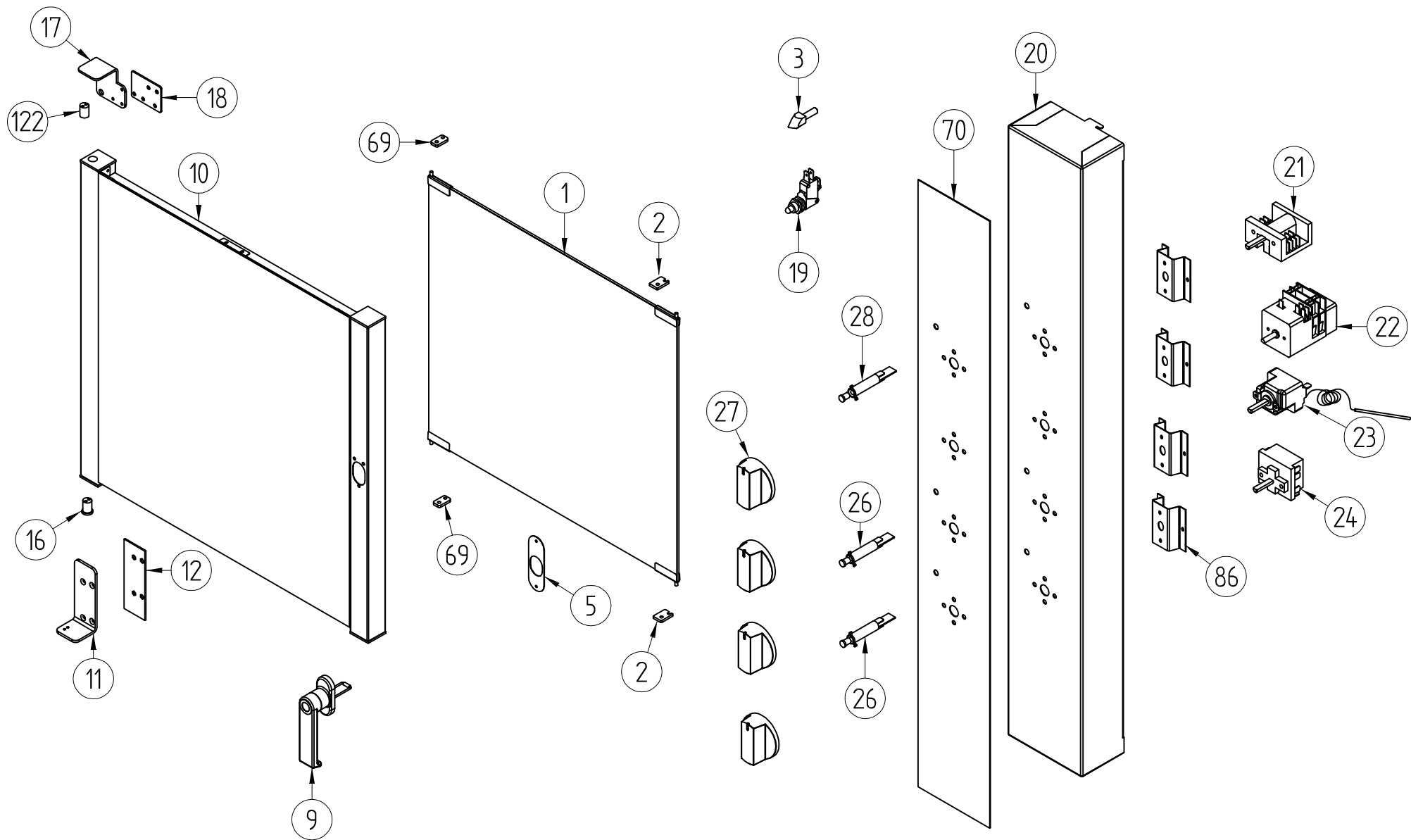
Bitte bei Ersatzteilbestellung immer Artikelnummer und Seriennummer mit angeben!

-  DETAIL 38
-  DETAIL 47
-  DETAIL 82
-  DETAIL 99
-  DETAIL 101
-  DETAIL 114
-  DETAIL 115
-  DETAIL 121



4			TOLLERANZE: UNI 5307	SCALA		DENOMINAZIONE	ESPLOSO COMPONENTI CARCASSA FORNO	DISEGNATO:
3			da 1 a 6 ±0,08				MATERIALE	MODELLO
2			da 6 a 18 ±0,12				FORNO 916RXS	
1			da 18 a 50 ±0,18			TRATTAMENTO	FILE	DISEGNO
	RELEASE	MODIFICHE	FIRMA	DATA	09/02/2012		ESP30082-A	

www.piron.it



4			TOLLERANZE: UNI 5307	SCALA	 www.piron.it	DENOMINAZIONE	ESPLOSO COMPONENTI PORTA E CRUSCOTTO COMANDI		DISEGNATO:	
3			da 1 a 6 ±0,08	 DATA 21/12/2011		MATERIALE	MODELLO	FORNO 916RXS	VERIFICATO	
2			da 6 a 18 ±0,12				TRATTAMENTO	FILE	ESP30082-B	DISEGNO
1			da 18 a 50 ±0,18							
	RELEASE	MODIFICHE	FIRMA							

PIRON SRL

SPARE PART LIST P916RXS

CODE		DRAW NUMBER			QUANTITY
			UM		
VET00057	COMPLETE INTERNAL GLASS	10	PZ		1
VET30001	INTERNAL GLASS	1	PZ		1
PER30001	DOOR HINGE PIN IX304 934/936	16	PZ		1
PER30005	DOOR HINGE PIN IX304 904,906,910	122	PZ		1
PIA30015	SUPPORT FOR DOOR HINGE	69	PZ		2
PIA30005	SUPPORT FOR HANDLE HINGE	5	PZ		1
PIA30016	BLOCK FOR INTERNAL GLASS DOOR	2	PZ		2
LAN30001	INSULATION WOOD	72	PZ		1
LAN30002	INSULATION WOOD	71	PZ		1
MOL30001	PRE GALVANIZED SPRING	92	PZ		14
MOT30002	GEAR 120W	63	PZ		2
MUF30009	COOKING CHAMBER	53	PZ		1
PIA30014	SUPPORT DOOR	82	PZ		4
RES30006	HEATING ELEMENTS 4000W	50	PZ		2
TER30008	SECURITY THERMOSTAT	74	PZ		1
TUB30002	TUBE STEAM EXHAUST	61	PZ		1
TUB30026	HUMIDIFICATION TUBE	59	PZ		2
VEN30004	FAN V200	64	PZ		2
PRG30005	CAM TIMER	39	PZ		1
SUP30114	SUPPORT FOR CONTACTOR REV. COND.	36	PZ		1
TEL30002	CONTACTOR	40	PZ		2
VIT30021	SCREW TCC		PZ		2
COM30001	OVEN SWITCH 0010	21	PZ		1
TER30004	THERMOSTAT POWER REGULATOR	24	PZ		1
TER30003	THERMOSTAT	23	PZ		1
CAB30029	CONNECTION LAMPS KIT		PZ		3
CRU60061	CONTROL PANEL	20	PZ		1
DEF30006	MOTOR COVER	49	PZ		1
DIS30002	CLIP CABLE STANDOFF	121	PZ		1
ELE30005	DOUBLE ELECTRIC VALVE J-G	62	PZ		1
FAC30002	UPPER WALL	54	PZ		1
FAC30014	ASSEMBLED LOWER WALL	66	PZ		1
FIA30037	LOWER SIDE	76	PZ		1
FIA30036	RIGHT SIDE	34	PZ		1
FIA30033	LEFT SIDE	51	PZ		1
FON30052	BACK SIDE	29	PZ		1
FON30049	BACK SIDE STEAM PROTECTION	30	PZ		1
FON30054	UPPER SIDE	55	PZ		1
FRO30199	STICKER	70	PZ		1
GUA30002	GASKET MOD. 500/600/800/900	52	MT		2,45
IND30001	GREEN LIGHT	28	PZ		1
IND30002	RED LIGHT	26	PZ		2
LAM30003-A	COMPELTE LAMP	113	PZ		3
MAG30001-A	HANDLE	9	PZ		1
MAG30001-B	HOOK FOR HANDLE	3	PZ		1
MAN30008	KNOB	27	PZ		4
MOR30001	TERMINAL BLOCK 1	38	PZ		1
MOR30002	TERMINAL BLOCK 2	37	PZ		1
PIA30036	SUPPORT UPPER FACE	18	PZ		1
PIA30035	SUPPORT LOWER FACE	12	PZ		1
PUL30004	SWITCH	19	PZ		1
RAC30003	CONNECTION 8 90°	114	PZ		2
RAC30001	CONNECTION 8 STRAIGHT	115	PZ		3
SUP30002	CONTROL PANEL SUPPORT	35	PZ		1
SUP30103	LOCK DOOR SUPPORT	33	PZ		1
SUP30098	LOWER SUPPORT FOR HINGE	11	PZ		1
SUP30104	UPPER SUPPORT FOR HINGE	17	PZ		1
SUP30060	SUPPORT FOR SWITCH	86	PZ		4
TUB30006	HUMIDITY TUBE MOTOR COVER	48	PZ		2
TUB30028	TUBE 8*6 MM.	84	MT		2,3
VAS30002	CONTAINER NEW SERIES 900	46	PZ		1
GRI30001	LATERAL GRID	80/81	PZ		2
PIE30003	FOOT	42	PZ		4
VIT30001	GRID SCREW	47	PZ		4
VIT30042	INSERT SCREW M5	101	PZ		8
DAD30005	SELFBRAKE NUT	99	PZ		2