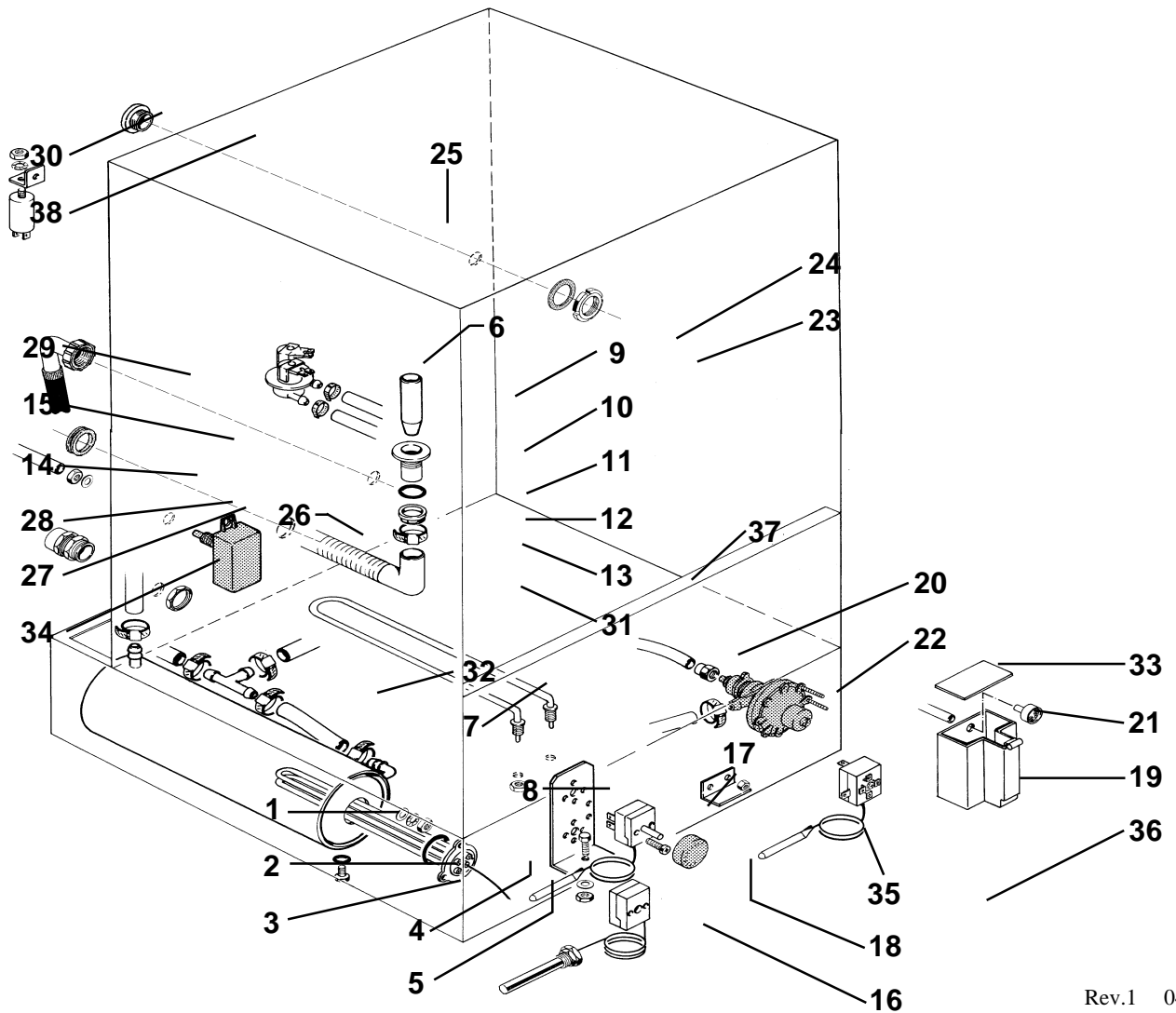


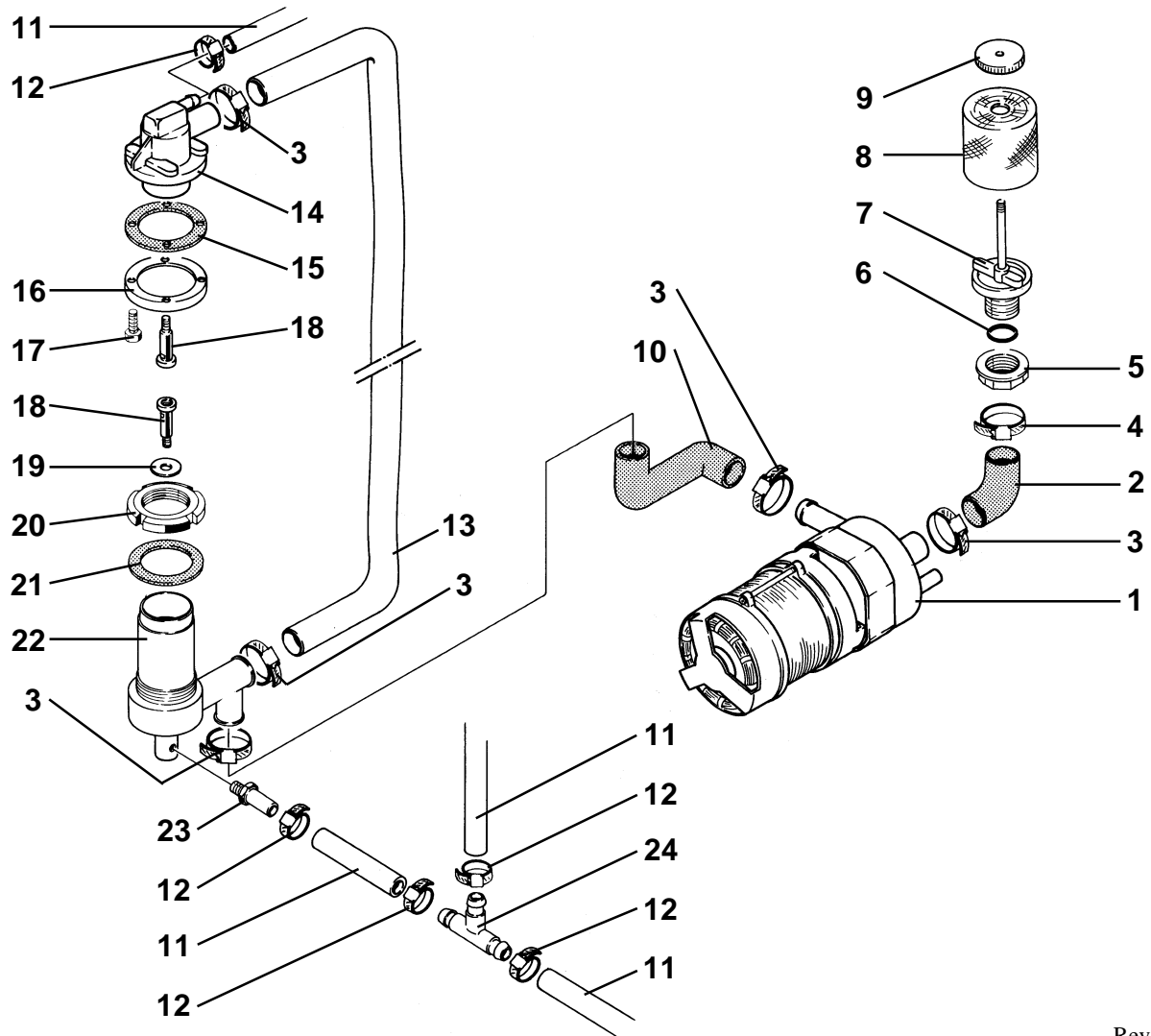
Rev.1 04/99

Pos	COD.	DESCRIZIONE	DENOMINATION	DESCRIPTION	BEZEICHNUNG
1	901038	CARROZZERIA	CARROSSERIE	CABINET	KARROSSERIE
2	904980	PIEDINO REGOLABILE	PETIT PIED RÉGABLE	RUBBER LEG	EINSTELLBARESOCKEL
3	905066	PORTA	PORTE	DOOR	TÜR
4	TR0220	CUSTODIA CON MAGNETE	PROTECTION MAGNETO	COVER MAGNET	MAGNETSCHUTZ
5	906121	SCROCCHETTO INOX	CLIQUET FERMETURE PORTE	DOOR CATCH	SCHNAPPVERSCHLUSS
6	902023	DADO SCROCCHETTO	ECROU DU CLIQUET	NUT LATCH	KLINKENMUTTER
7	904795	PERNO PORTA	TOURILLON DE LA PORTE	DOOR PIN	TÜRSCHARNIERESTIFT
8	901245	CERNIERA	PATTE	DOOR SUPPORT	SCHARNIER
9	904706	PANNELLO LATERALE DX	PANNEAU DROIT	RIGHT PANEL	RECHTE VERKLEIDUNG
10	904707	PANNELLO LATERALE SX	PANNEAU GAUCHE	LEFT PANEL	LINKE VERKLEIDUNG
11	904534	PANNELLO POSTERIORE	PANNEAU POSTÉRIEUR	BACK PANEL	HINTERE VERKLEIDUNG
12	904705	PANNELLO SUPERIORE	PANNEAU SUPERIEUR	UPPER SIDE PANEL	OBERE VERKLEIDUNG
13	904446	PANNELLO INFERIORE	PANNEAU INFÉRIEUR	LOWER PANEL	UNTERE VERKLEIDUNG
14	901681	GUIDA CESTELLI DX	COULISSE PANIER DROITE	RIGHT BASKET GUIDE	KORBFÜHRUNG
15	901682	GUIDA CESTELLI SX	COULISSE PANIER GAUCHE	LEFT BASKET GUIDE	KORBFÜHRUNG



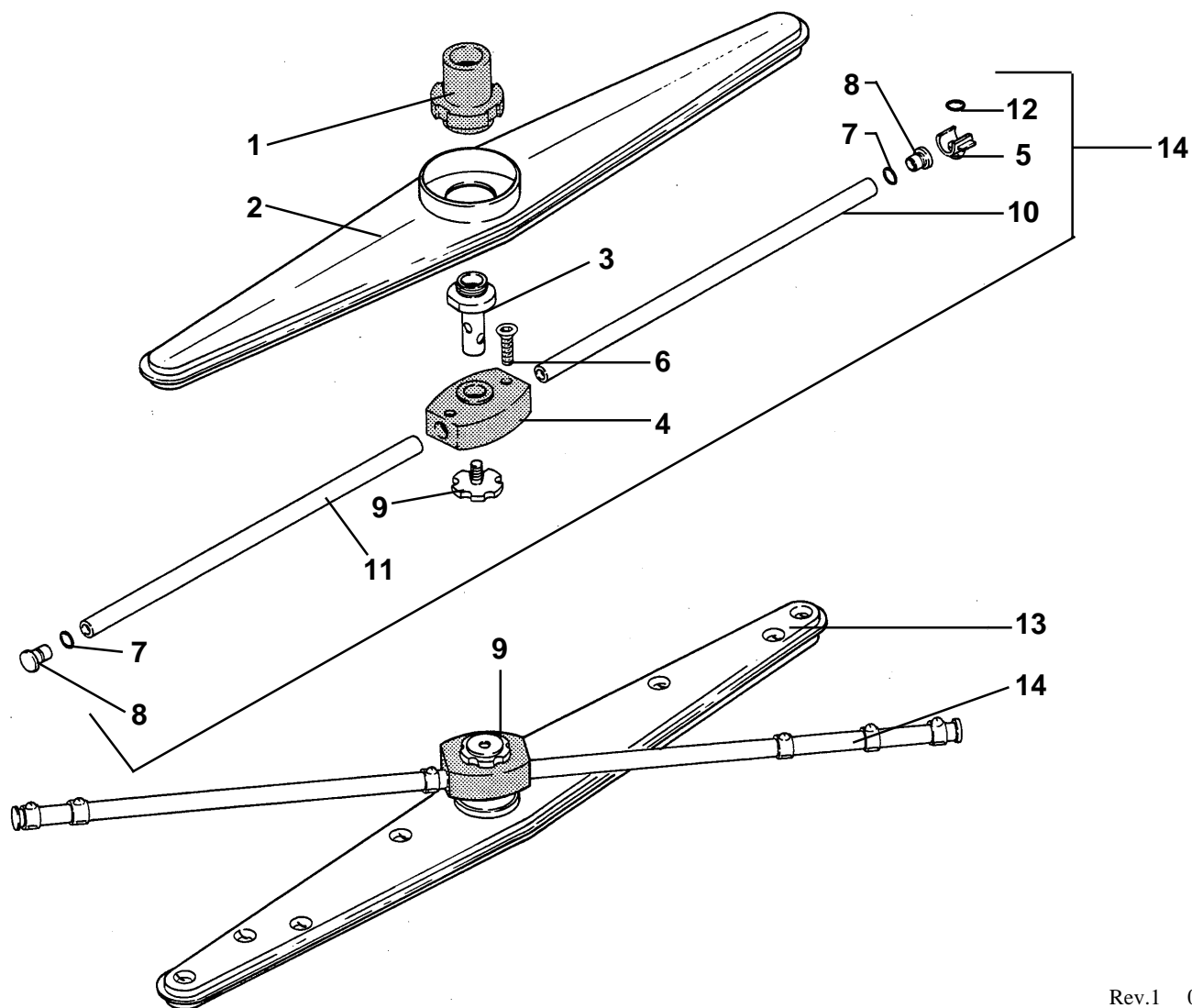
Rev.1 04/99

Pos	COD.	DESCRIZIONE	DENOMINATION	DESCRIPTION	BEZEICHNUNG
1	900351	BOILER	CHAUFFE EAU	BOILER	HEISSWASSERSPEICHER
2	904430	O-RING	O-RING	O-RING	O-RING
3	907820	VITE	VIS	SCREW	SCHRAUBE
4	907981	O-RING	O-RING	O-RING	O-RING
5	905493	RESISTENZA	RESISTANCE	HEATING ELEMENT	HEIZKÖRPER
6	902410	ELETTROVALVOLA A 3 VIE	SOUPAPE ELECTRIQUE	ELECTRIC VALVE	ELEKTROVENTIL
7	905771	RESISTENZA 1.600 W	RESISTANCE	HEATING ELEMENT	HEIZKÖRPER
8	904391	O-RING	O-RING	O-RING	O-RING
9	907280	TROPPO PIENO	NIVEAU	OVER FLOW	VEBERLAUF
10	905440	RACCORDO SCARICO	RACCORD DECHARGE	PIPE FITTING FOR OUTLET	ABLAUFANSCHLUSS
11	904350	O-RING	O-RING	O-RING	O-RING
12	902070	GHIERA 1" GAS	FRETTE	RING-NUT	NUT MUTTER
13	902460	FASCETTA Ø 26÷38	COLLIER	CLAMP	SHELLE
14	907272	TUBETTO PRESSOSTATO	TUYAU PRESSOSTAT	PRESSURE SWITCH PIPE	SCHAUCH
15	904721	PASSACAVO	CHAUMARD	FAIRLEAD	KABEL DURCHGANG
16	907124	TERMOSTATO VASCA	THERMOSTAT DU PANIER	TANK THERMOSTAT	WANNEN THERMOSTAT
17	907100	TERMOSTATO 0°-90°	THERMOSTAT	THERMOSTAT	THERMOSTAT
18	903982	MANOPOLA	BOUTON	KNOB	KNOPF
19	901761	CONTENITORE BRILLANTE	RECIPIENT BRILLANTANT	GLASSAGENT CONTAINER	GLANZSPÜLMITTELB.
20	907270	TUBETTO PRESSOSTATO	TUYAU PRESSOSTAT	PRESSURE SWITCH PIPE	SCHAUCH
21	902568	FILTRO	FILTRE	FILTER	FILTER
22	902199	DOSATORE	DOSEUR	DOSING DEVICE	DOSIERSATZ
23	902679	GHIERA PG. 7	FRETTE	RING-NUT	NUT MUTTER
24	903351	GUARNIZIONE	JOINT	GASKET	DICHTUNG
25	902678	TAPPO PG. 7	BOUCHON	PLUG	FROPFEN
26	905273	TRAPPOLA ARIA	RESERVOIR AIR	AIR TRAP	LUFTFALLE
27	903260	GUARNIZIONE 3/8" GAS	JOINT	GASKET	DICHTUNG
28	902100	GHIERA 3/8" GAS	VIROLE	LOCK NUT	NUT MUTTER
29	907344	TUBO DI CARICO	TUYAN D'ENTRÉE DE L'EAU	INLET PIPE	WASSERZUFÜHRROHR
30	901744	CONDENSATORE 6.3 µF	CONDENSATEUR	CONDENSER	KONDENSATOR
31	907440	TUBO DI SCARICO	TUYAU DE DECHARGE	OUTLET HOSE	ABLAUFSCHLAUCH
32	905382	RACC. DOSATORE A 3 VIE	RACCORD	PIPE FITTING	ANSCHLUSSE
33	904951	COP. CONT. BRILLANTANTE	COUVERCLE	COVER	DECKEL
34	902687	PRESSACAVO PG. 13,5	FIXAGE DU CABLE D'ALIM.	FIXING CABLE	KABELBEFESTIGER
35	907125	TERMOSTATO DI SICUREZZA	THERMOSTAT	THERMOSTAT	THERMOSTAT
36	901771	CONTENITORE SALE	RECIPIENT DU SEL	SALT CONTAINER	SALZBEHALTER
37	903340	GUARNIZIONE	JOINT	GASKET	DICHTUNG
38	902150	DECALCIFICATORE	GROUPE ANTI-CALCAIRE	DECALCIFIER	ENKALTER



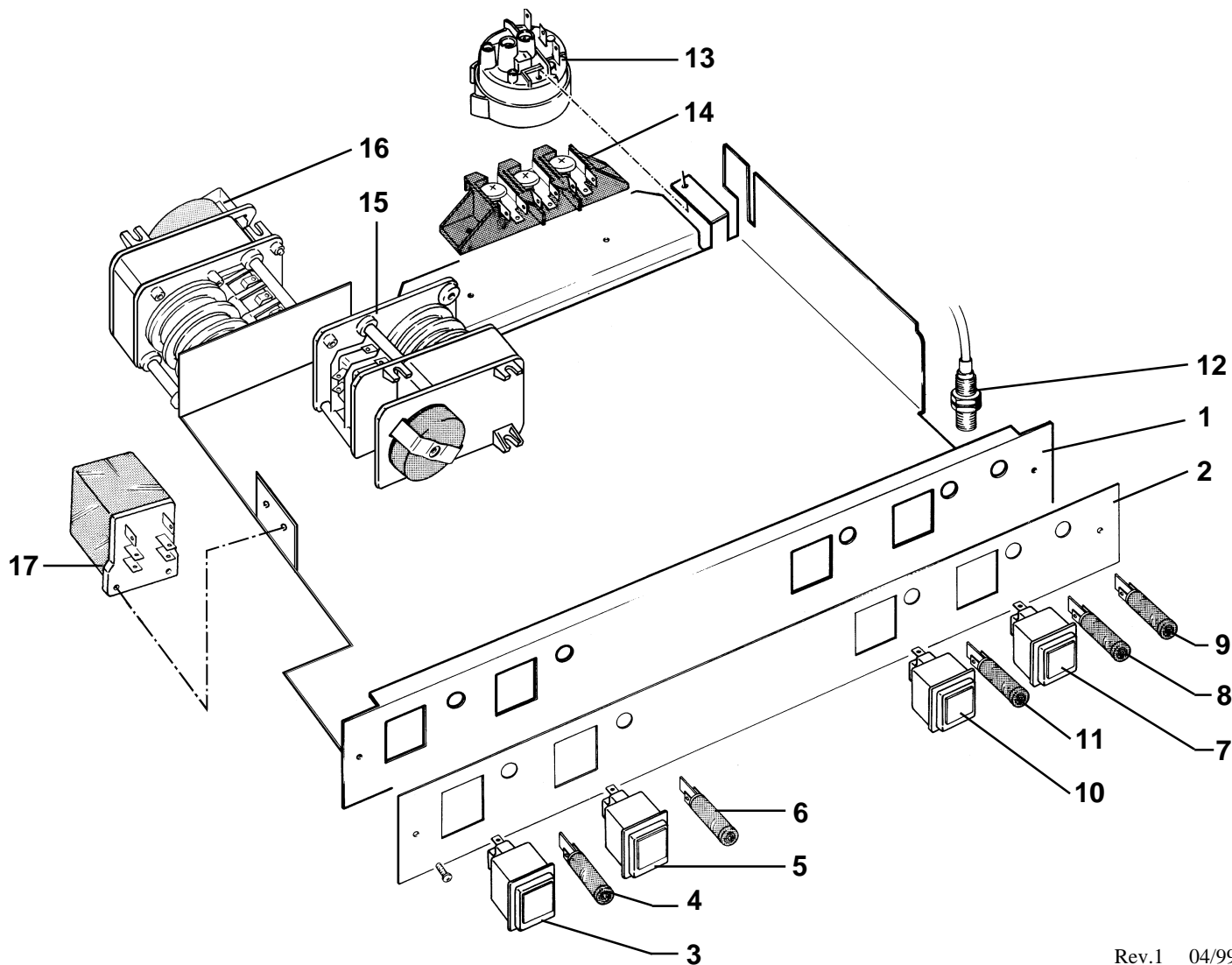
Rev.1 04/99

Pos	COD.	DESCRIZIONE	DENOMINATION	DESCRIPTION	BEZEICHNUNG
1	902228	POMPA 0,20 HP	POMPE	PUMP	PUMPE
2	903674	MANICOTTO ASPIRAZIONE	MANCHON D'ASPIRATION	INLET ELBOW	ANSAUGMUFFE
3	902460	FASCETTA Ø 26÷38	COLLIER	CLAMP	SHELLE
4	902441	FASCETTA Ø 38÷50	COLLIER	CLAMP	SHELLE
5	902080	GHIERA 1" ¼	VIROLE	LOCK-NUT	NUT MUTTER
6	904380	O-RING	O-RING	O-RING	O-RING
7	905380	RACCORDO ASPIRAZIONE	RACCORD D'ASPIRATION	INTAKE PIPE FITTING	ANSAUGANSCHLUSSE
8	904467	FILTRO	FILTRE	FILTER	FILTER
9	902850	GHIERA	VIROLE	LOCK-NUT	NUT MUTTER
10	903668	MANICOTTO MANDATA	MANCHON DE REFAULEM.	OUTLET ELBOW	AUSLAMUFFE
11	907360	TUBO GOMMA Ø 10x17	TUYAN EN CAOUTCHOUC	RUBBER HOSE	GUMMISCHLAUSCH
12	902440	FASCETTA Ø 13÷20	COLLIER	CLAMP	SHELLE
13	903721	MANICOTTO MANDATA SUP.	DURITÉ DE REFOULEM. SUP.	UPPER OUTLET ELBOW	OBERE AUSLASSMUFFE
14	900033	MOZZO SUPERIORE	MOYEU SUPERIEUR	UPPER HUB	OBERE NABE
15	903330	GUARNIZIONE	JOINT	GASKET	DICHTUNG
16	901775	FLANGIA	FLASQUE	FLANGE	FLANSCH
17	907780	VITE T.E. M 6x10	VIS	SCREW	SCHRAUBE
18	904765	PERNO LAVAGGIO	TOURRILLON DE LAVAGE	WASH PIN	WASCHSTIFT
19	906002	RONDELLA	RONDELLE	WASHER	UNTERLEGSCHIEBE
20	900035	GHIERA 1" ½	VIROLE	LOCK-NUT	NUT MUTTER
21	903301	GUARNIZIONE	JOINT	GASKET	DICHTUNG
22	900031	MOZZO INFERIORE	MOYEU INFERIEUR	INFERIOR HUB	OBERE
23	906003	RACCORDO PORTAGOMMA	RACCORD	PIPE FITTING	ANSCHLUSSE
24	905382	RACCORDO A 3 VIE	RACCORD	PIPE FITTING	ANSCHLUSSE



Rev.1 04/99

Pos	COD.	DESCRIZIONE	DENOMINATION	DESCRIPTION	BEZEICHNUNG
1	904277	MOZZO + GHIERA	MOYEU + VIROLE	HUB + RING - NUT	NABE + KLEMMUTTER
2	902905	GIRANTE LAVAGGIO	BRAS DE LAVAGE	WASHARM	SPÜLLARM
3	904760	PERNO GIRANTE RISC.	TOURILLON DE RINÇAGE	RINSE PIN	SPÜLLSTIFT
4	904292	MOZZO GIRANTE RISC.	MOYEU	HUB	NABE
5	902816	GETTO RISCIAQUO	JET DE RINÇAGE	RINSING JET	SPÜLLDUSE
6	907651	VITE TPS M 4x8	VIS	SCREW	SCHRAUBE
7	904321	O-RING	O-RING	O-RING	O-RING
8	906450	TAPPO PER BRACCIO RISC.	BOUCHON BRAS DE RING.	PLUG FOR RINSE ARM	VERSCHLUSS SPÜLLAUFRAD
9	902880	GHIERA BLOCCAGGIO	FRETTE DE BLOCAGE	RING-NUT	KLEMMUTTER
10	954800	BRACCIO RISCIAQUO DX	BRAS DE RINÇAGE DROITE	RIGHT RINSE ARM	RECHTE SPÜLLAUFRAD
11	954801	BRACCIO RISCIAQUO SX	BRAS DE RINÇAGE GAUCHE	LEFT RINSE ARM	LINKE SPÜLLAUFRAD
12	904388	O-RING	O-RING	O-RING	O-RING
13	903104	GIRANTE LAVAGGIO COMP.	BRAS DE LAVAGE COMPL.	COMPL. WASH ARM	SPÜLLARM KOMPL.
14	903009	GIRANTE RISCIAQUO COMP.	BRAS DE RINÇAGE COMPL.	COMPL. RINSE ARM	SPÜLLSTIFT KOMPL.



Rev.1 04/99

Pos	COD.	DESCRIZIONE	DENOMINATION	DESCRIPTION	BEZEICHNUNG
1	904668	PANNELLO COMANDI	TABLEAU COMMANDE	ELECTRIC PANEL	SCHALTAFEL
2	907012	TARGA	PLAQUETTE	PLATE	SCHILD
3	905326	INTERRUTTORE ON/OFF	INTERRUPTEUR	SWITCH	DRUCKKNOPF
4	903632	SPIA PREPARAZIONE	LAMPE DE PREPARATION	"PREPARATION" LAMP	KONTROLL. VORBEREITUNG
5	905324	PULSANTE CICLO	BOUTON CYCLE	"CYCLE" PUSH-BUTTON	DRUCKKNOPF "ZYCLUS"
6	903629	SPIA CICLO	LAMPE CYCLE	"CYCLE" LAMP	KONTROLLAMPE "ZYCLUS"
7	905324	PULSANTE RISC. FREDDO	BOUTON RINÇAGEEAU FROIDE	COLD RINSE PUSH-BUTTON	DRUCKK. KALTENACHSPULLUNG
8	903629	SPIA RISCIAQUO FREDDO	LAMPERINÇAGEEAU FROIDE	COLD RINSE LAMP	KONTR. KALTENACHSPULLUNG
9	903629	LAMPADA BOILER	LAMPE BOILER	BOILER LAMP	WARMWASSERSPEICHERLAMP
10	905324	PULSANTE RIGENERAZIONE	BOUTON REGENERATION	REGENERATION BUTTON	DRUCKKNOPF REGENER.
11	903629	SPIA RIGENERAZIONE	LAMPE REGENERATION	REGENERATION LAMP	KONTROLLAMPE REGENER.
12	TR0309	REED MAGNETICO	REED	REED	REED
13	905270	PRESSOSTATO	PRESSOSTAT	PRESSURE SWITCH	DRUCHWAECHTE
14	904140	MORSETTIERA	BORNES	TERMINAL BOARD	KLEMMLEISTE
15	907172	TIMER	TIMER	TIMER	TIMER
16	907173	TIMER	TIMER	TIMER	TIMER
17	905474	RELÉ	RELAIS	RELAY	RELAIS