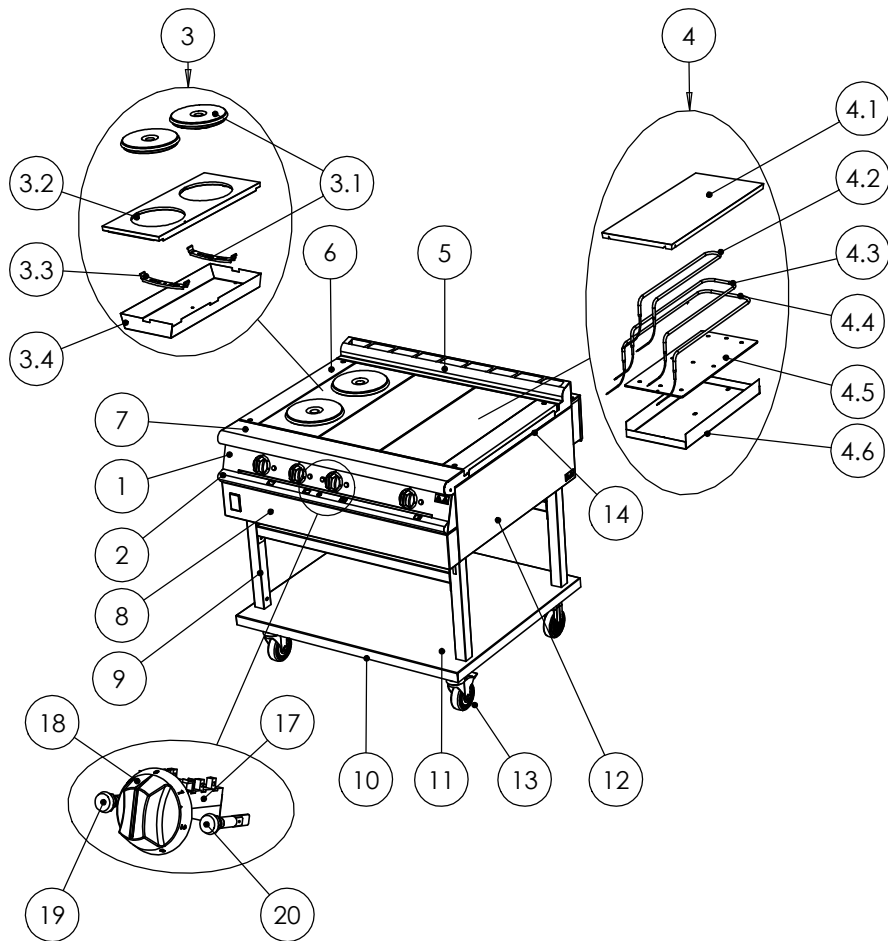


# DOMINATOR PLUS



ITEM No	DESCRIPTION	E3117 (ON STAND)	E3121 3HP	E3121 4HP	E3101 & OTC 3HP	E3101 & OTC 4HP	E3161 3HP
1	CONTROL PANEL	SEE AA48634	734000015	734000017	SEE AA48634		SEE AA48635
2	DRIP TRAY	AA48634	734000016	734000018			
3	CIRCULAR HOTPLATE ASSEMBLY		N/A	730960114	N/A	730960114	
3.1	HOTPLATE C/W FIXING BRACKET		N/A	731400050	N/A	731400050	
3.2	ROUND HOTPLATE CASTING		N/A	730960101	N/A	730960101	
3.3	ROUND HOTPLATE FIXING BRACKET		N/A	730960115	N/A	730960115	
3.4	ROUND HOTPLATE COVER PLATE		N/A	730964160	N/A	730964160	
4	RECTANGULAR HOTPLATE ASSEMBLY	N/A	730960010				
4.1	RECTANGULAR HOTPLATE CASTING		731400110				
4.2	INNER ELEMENT		731400020				
4.3	INTERMEDIATE ELEMENT		731400030				
4.4	OUTER ELEMENT		731400040				
4.5	ELEMENT CLAMP PLATE		730960150				
4.6	HOTPLATE LAGGING BOX		730964060				
5	HOB REAR FLUE RAIL		532900017				SEE AA48635
6	HOB FILLING		730960090				
7	FRONT HOB RAIL		532900018				
8	LOWER CONTROL PANEL	N/A	535340001				N/A
9	LEG ASSEMBLY		535400202				
10	BOTTOM FRAME (NOT SHOWN)		535400204				
11	BOTTOM SHELF		535400203				
12	LH OR RH SIDE PANEL	N/A	535400190				N/A
13	S/S FOOT		535290028				
	CASTOR SWIVEL		534103055				
	CASTOR FIXED		530964350				
14	DRIP SHEDS LH OR RH		734000000				
17	6 POSITION HOTPLATE SWITCH	N/A	731400070				
18	6 POSITION HOTPLATE CONTROL KNOB		734000014				
19	RED MAINS INDICATOR NEON		731000008				
20	AMBER HEAT INDICATOR NEON		731000007				

Issue	Alteration	Date	Product	Document Reference
-------	------------	------	---------	--------------------

A	Initial Issue	09/08/11	E3117 E3121 3HP/4HP E3101 3HP/4HP E3101 OTC 3HP/4HP E3161	AA48636
---	---------------	----------	---	---------

