

541070100

537002300

544257400

544263500

544293600(ETS)@707
544302101(ETS)≤0706
544293600(ET)
539018900

537000300

544263600

537027400

57014100

536013800

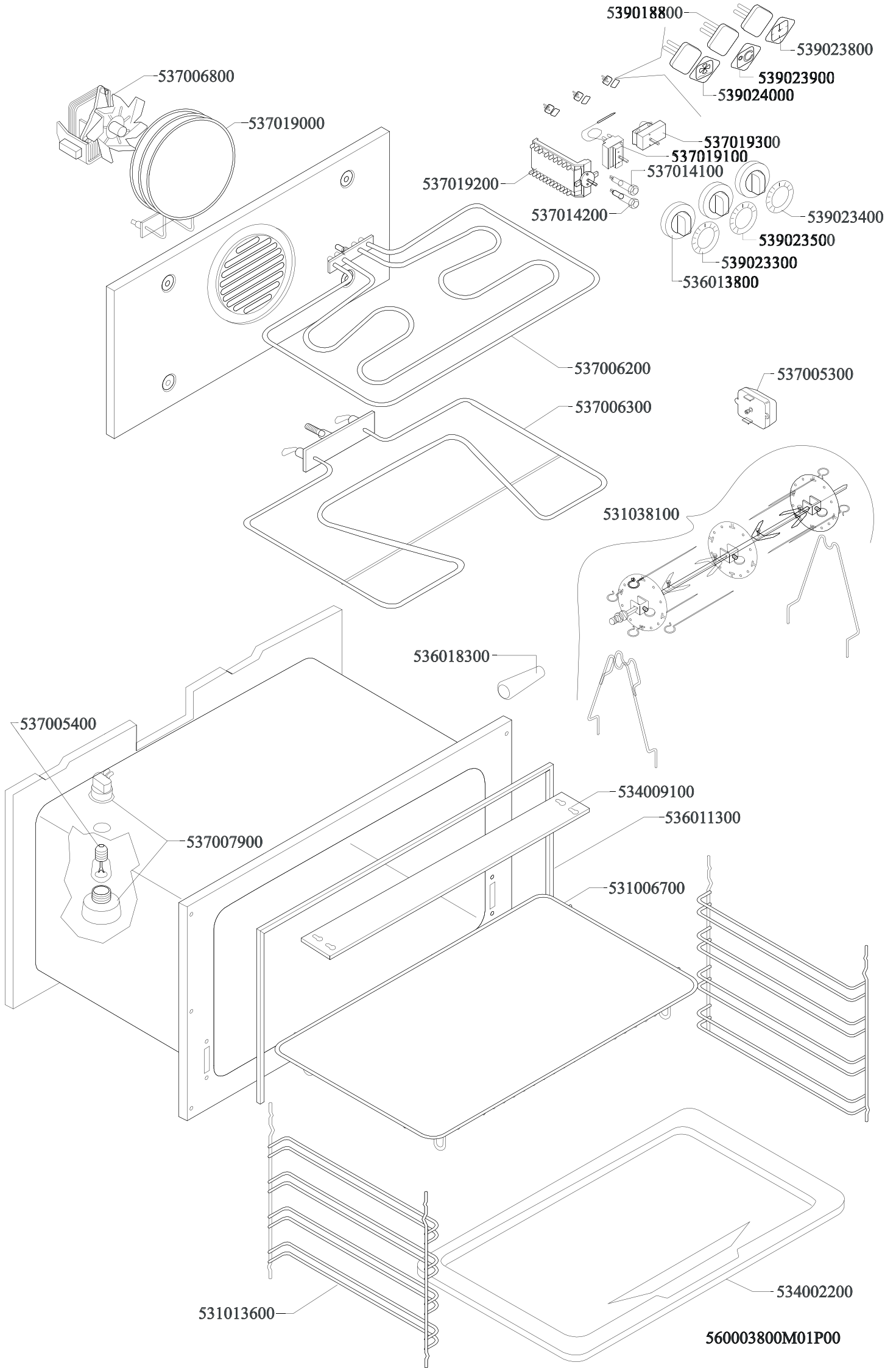
539018100

1

3

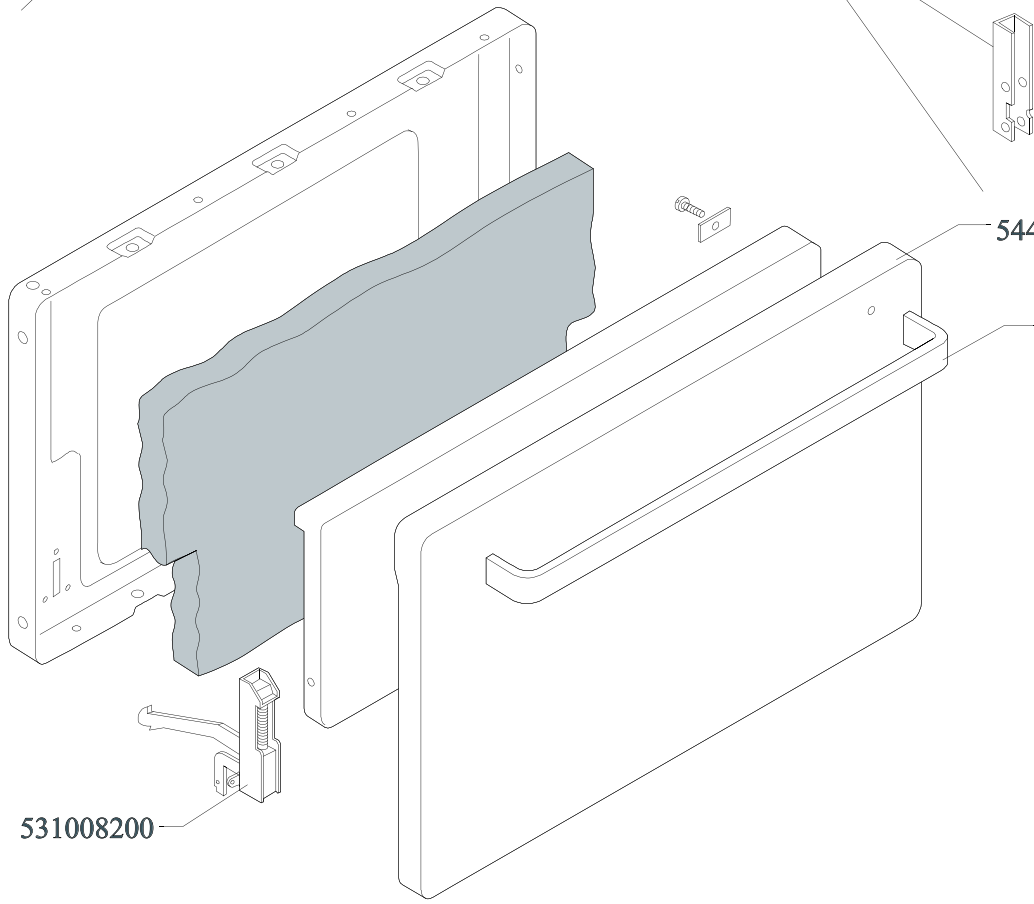
2

560006500M01P00



531031200

531007900



544301300

541025200

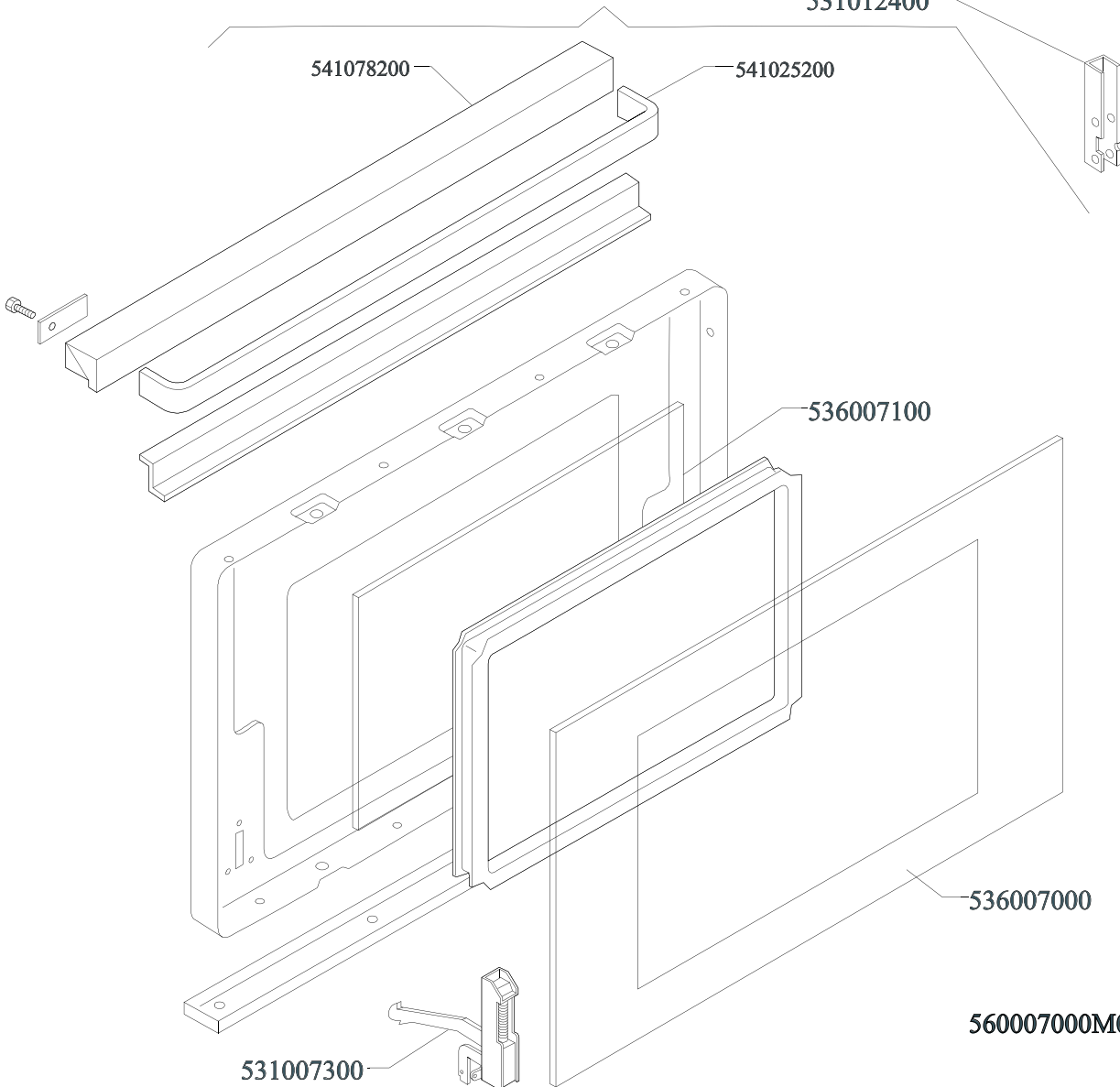
531008200

531031300

531012400

541078200

541025200

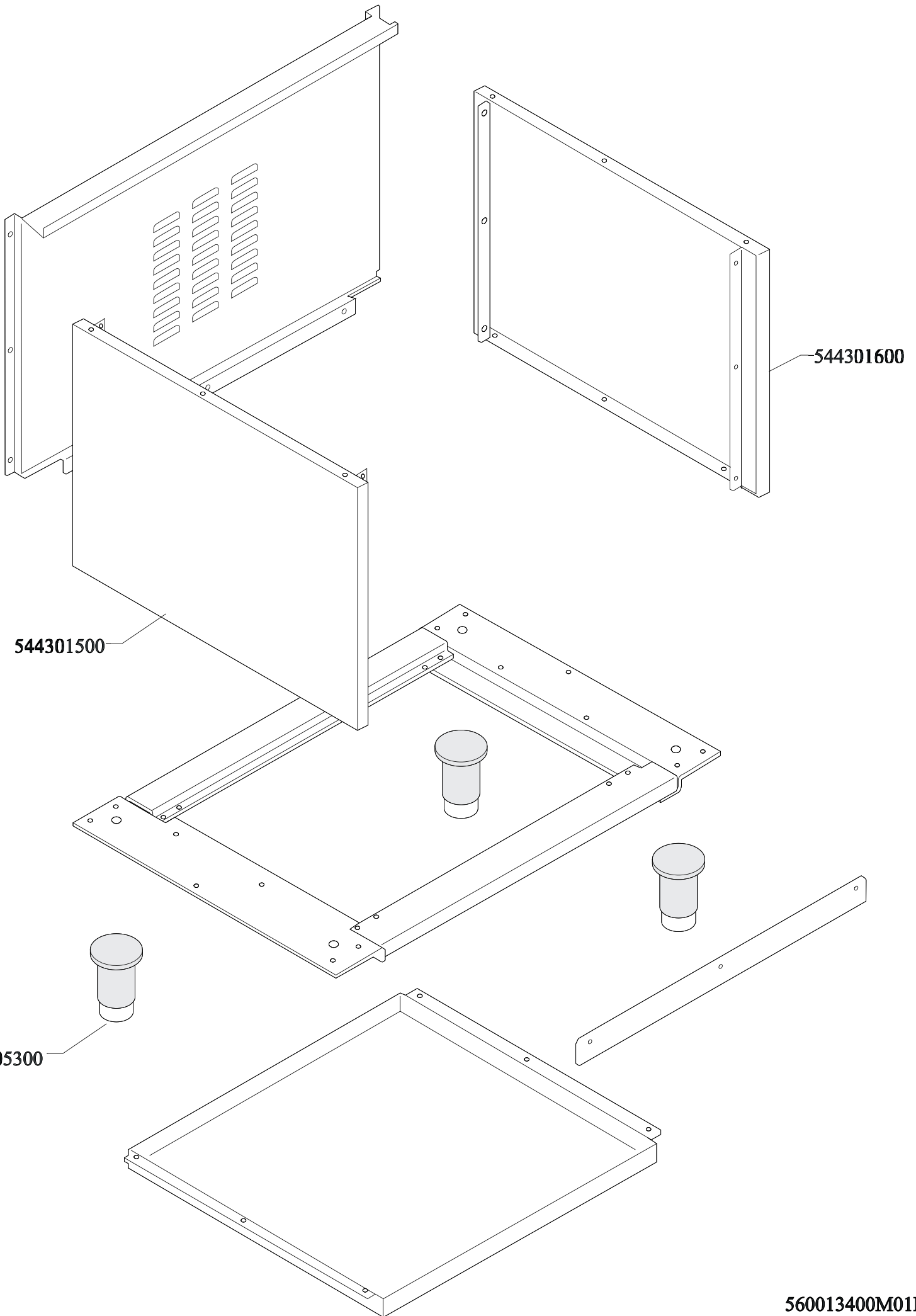


536007100

536007000

531007300

560007000M01P00



Page	Pos	Code	Description
001		541070100	NEUTRAL SPACER 8
001		544293600	CONTROL PANEL CF4/CFC4-8ET
001		57014100	
001		537002300	ELECTRICAL PLATE D.220 W2000 V230
001		544257400	UPPER PLATE PC-8E
001		544263500	RIGHT SIDE S.65
001		539018900	INDEX FOR KNOB W/RED SIGN
001		537000300	COMMUTATOR 7 POSITIONS S.49 16A
001		544263600	LEFT SIDE S.65
001		537027400	TERMINAL BLOCK THREEPHASE 40A
001		537014100	WHITE WARNING LIGHT 250V
001		536013800	KNOB D.70 BLACK 6*5 WITH SPRING
001		539018100	ADHESIVE GRADUATED DISC FOR KNOB
002		539018800	BLANK INDEX FOR KNOB
002		539023800	LABEL FOR OVEN TIMER
002		539023900	SIGN PLATE FOR OVEN TEMPERATURE
002		539024000	SIGN PLATE FOR OVEN SELECTOR
002		537006800	FAN FOR MULTIF.OVEN 60/65/60T
002		537019000	CIRCULAR HEATING ELEMENT FOR OVEN
002		537019300	TIMER FOR MULTIFUNCTION OVEN
002		537019100	THERMOSTAT FOR MULTIFUNCTION OVEN
002		537014100	WHITE WARNING LIGHT 250V
002		537019200	SELECTOR FOR MULTIFUNCTION OVEN
002		537014200	GREEN WARNING LIGHT 250V
002		539023400	ADHESIVE GRADUATED DISC F.KNOB
002		539023500	ADHESIVE GRAD.DISC *E.MULTIF.TERM.
002		539023300	ADHESIVE GRADUATED DISC FOR KNOB
002		536013800	KNOB D.70 BLACK 6*5 WITH SPRING
002		537006200	UPPER OVEN HEATING EL.3000W 230V
002		537005300	MOTOR FOR SPIT CF-8/10
002		537006300	LOWER OVEN HEATING EL.W1600 230CF8/
002		531038100	SPIT FOR MAXI MULTIF. NEW OVEN
002		536018300	GRIP FOR ROTATING SPIT
002		537005400	OVEN BULB 15W 300°C
002		534009100	GRILL PROTECTION CF-8/10
002		536011300	OVEN GASKET 65/60 *OLD MODEL*
002		537007900	OVEN BULB-SOCKET WITH LAMP
002		531006700	OVEN GRID FOR CF-8/10
002		534002200	OVEN DRIPPING-PAN CF-8/10
002		531013600	SIDE GRID FOR MAXI/VENTILATED OVEN
003		531031200	COMPLETE STAINLESS STEEL OVEN DOOR
003		531007900	STAINLESS STEEL DOOR WHEEL HOLDER
003		544301300	STAINLESS STEEL OVEN DOOR PANEL 65
003		541025200	STAINLESS STEEL OVEN DOOR HANDLE
003		531008200	STAINLESS STEEL DOOR HINGE CF-8/10
003		531031300	COMPLETE GLASS OVEN DOOR 65LINE
003		531012400	GLASS DOOR WHEEL HOLDER CF-8/10
003		541078200	HANDLE SUPPORT GLASS DOOR CF-65
003		536007100	INTERNAL GLASS OVEN DOOR CF-8/10
003		536007000	EXTERNAL GLASS OVEN DOOR CF8/10
003		531007300	GLASS DOOR HINGE CF-8/10

Page	Pos	Code	Description
004		544301600	RIGHT SIDE FOR 65 RANGE
004		544301500	LEFT SIDE FOR 65 RANGE
004		536005300	PLASTIC LED 2"