

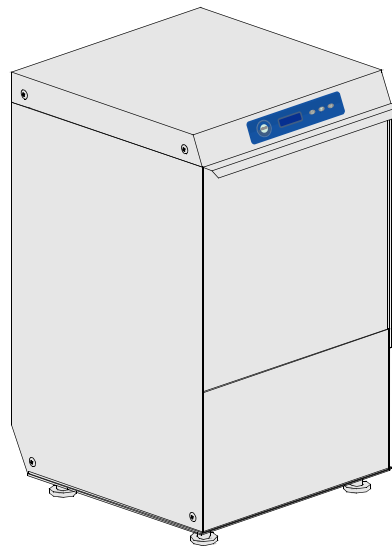
DISHWASHER

ELECTRONICAL SWITCHES
LOWER AND UPPER WASHING
INSULATED MODEL

TYPE: 108EN

Accessories
BREAK TANK
BOOSTER PUMP
DVGW
COLD RINSE
WATER SOFTNER
DETERGENT DISPENSER
DRAIN PUMP

Spare Parts Manual



Parti di ricambio

Spare Parts

Catalogues pièces

Plezas de recambis

Ersatzteile

INFORMAZIONI GENERALI

Questo catalogo serve per richiedere con esattezza le parti di ricambio

Nelle ordinazioni indicare:

1) il numero dei codici dei particolari seguito dalla descrizione e la quantità desiderata;

2) Il codice alfa-numerico presente nella seconda colonna della tabella ;

I disegni delle parti di ricambio sono solo indicativi e non rappresentano il pezzo in oggetto.

I dati contenuti in questo catalogo sono indicativi e possono essere soggetti a modifiche senza impegno di preavviso.

ALLGEMEINE INFORMATIONEN

Dieser Ersatzteilkatalog dient zur genauen Angabe der Teile bei Ersatzteilbestellungen.

Bei Ersatzbestellung ist folgendes anzugeben:

1) Die Bestellnummer der Ersatzteile mit der entsprechenden Beschreibung genaue Menge;

2) Der alpha-numerischer Code auf der zweiten Reihe in dein Spult;

Die Zeichnungen der Ersatzteile sind nur als Hinweise gedacht und stellen nicht das betroffene Teil dar.

Bei den im Katalog angeführten Daten handelt es sich um Anhaltsdaten, die jederzeit, ohne Vorankündigung, geändert werden können.

GENERAL INFORMATION

The present spare parts order exactly the right spare parts

When ordering specify:

1) the part's code number followed by its description and quantity needed;

2) The alpha-numeric code is in the second column in the chart;

Spare parts drawings are general and do not represent the part.

The contents of this catalogue are general and can undergo changes without prior notice.

INFORMACIONES GENERALES

El presente catálogo sirve para pedir con exactitud las partes de repuesto

En los pedidos se debe indicar:

1) el número de código de la parte y a continuación la descripción cantidad deseada;

2) El código alfanumerico presente en la signada columna de la tabla;

Los diseños de las partes de recambio son solo indicativos y no representan la pieza en cuestión.

Los datos contenidos en el presente catálogo son indicativos y pueden modificarse sin aviso previo.

INFORMATIONS GENERALES

Ce catalogue permet de commander correctement les pièces détachées

Les commandes doivent être passées en indiquant:

1) le numero de code des pièces détachées suivi de leur description quantité désirée;

2) le code alphanumérique dans la deuxième colonne du tableau;

Les plans des pièces détachées sont fournis seulement à titre indicatif et ne représentent pas la pièce concernée.

Les données de ce catalogue sont citées seulement à titre indicatif et peuvent être l'objet de modifications sans avis préalable.

ESEMPIO EXAMPLE EXEMPLE BEISPIEL

| Rif. | Codici |
|--------------------|---------|
| MODULE:Particolari | |
| 10505 | 540903 |
| 10510 | 540908 |
| 10515 | 15065/A |
| 10520 | 540086 |
| 10525 | 540028 |



Note

Tutte le informazioni riportate si intendono aggiornate alla data di stampa. Il Produttore si riserva il diritto di apportare qualsiasi modifica richiesta dallo sviluppo evolutivo dei suddetti prodotti.

Per la sicurezza ,la garanzia, l'affidabilità ed il valore della lavastoviglie usa solo ricambi originali. **Per alcuni codici, sono richieste quantità minime d'ordine.**



Attenzione

Questo libretto è parte integrante della lavastoviglie e, in caso di passaggio di proprietà, deve essere consegnato al nuovo acquirente.



Remarque

Toutes les informations contenues dans ce manuel s'entendent mises à jour à la date d'impression. En raison du développement constant de ses produits, usine se réserve le droit d'apporter à tout instant les modifications qu'elle jugera utiles.

Pour la sécurité, la garantie, la fiabilité et la valeur de votre lavevaisselles, en cas de transfert de propriété, doit toujours être remis au nouveau propriétaire. **Pour quelque référence on demande un minimum de pièces par commande**



Attention

Ce manuel doit être considéré comme partie intégrante de la lavevaisselles, en cas de transfert de propriété, doit toujours être remis au nouveau propriétaire.



Note

The information contained herein is valid at the time of going to print. The Company reserves the right to make any changes required by the future development of the above-mentioned products.

For your safety, as well as to preserve the warranty reliability and worth of your dishwashers, use original spare parts only. **For some codes a minimum quantity for order is required.**



Warning

This manual forms an integral part of the dishwashers and - if a transfer of title occurs - must always be handed over to the new owner.



Hinweis

Die Der Hersteller behält sich das Recht vor, jegliche, durch eine Weiterentwicklung der genannten Produkte bedingte Änderungen vornehmen zu können.

Verwenden Sie für Ihre Sicherheit, die Garantie, die Zuverlässigkeit und den Wert Ihrer machine originale Ersatzteile. **Für bestimmte Code nummer werden mindesten bestellungen verlangt.**



Achtung

Diese Betriebsanleitung ist Bestandteile des machine und muss bei seinem Weiterverkauf dem neuen Besitzer ausgehändigt werden.


Parti di ricambio

Spare Parts

Catalogues pièces

Plezas de recambis


Ersatzteile



Code DW 999XXXXXX
Model DESCRIPTION
S/N DW A 1015770 Type

400V 3N 50HZ 8A 500W
 3500W


IPX3



Pressione Dinamica alimentazione idrica 200-500 kPa
 Pression dynamique arrivée d'eau
 Dynamic pressure water supply
 Dynamischer Druck asserreinlauf


Pressione dinamica vapore saturo
 Pression dynamique vapeur satueèè
 Dymanischer Druck gesattigter Dampf
 Pression Dinamica Vapor Saturado

CL/Part





TECHICAL SPECIFICATION

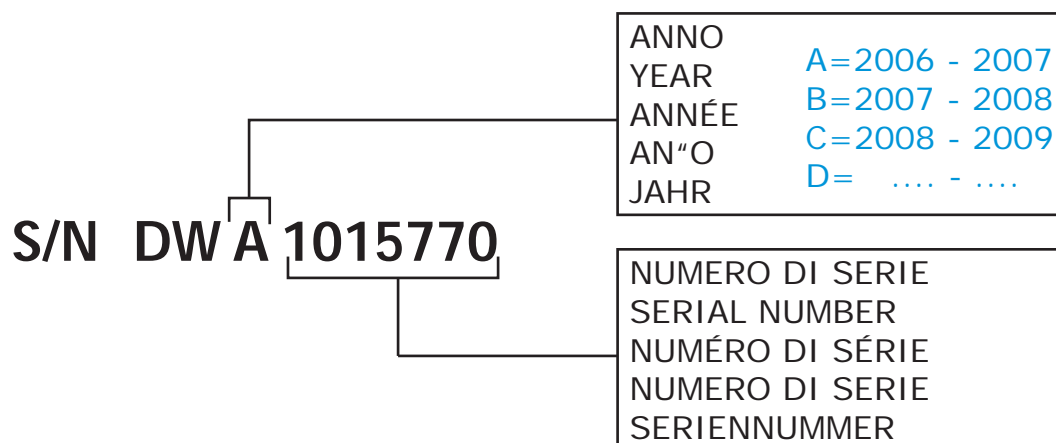
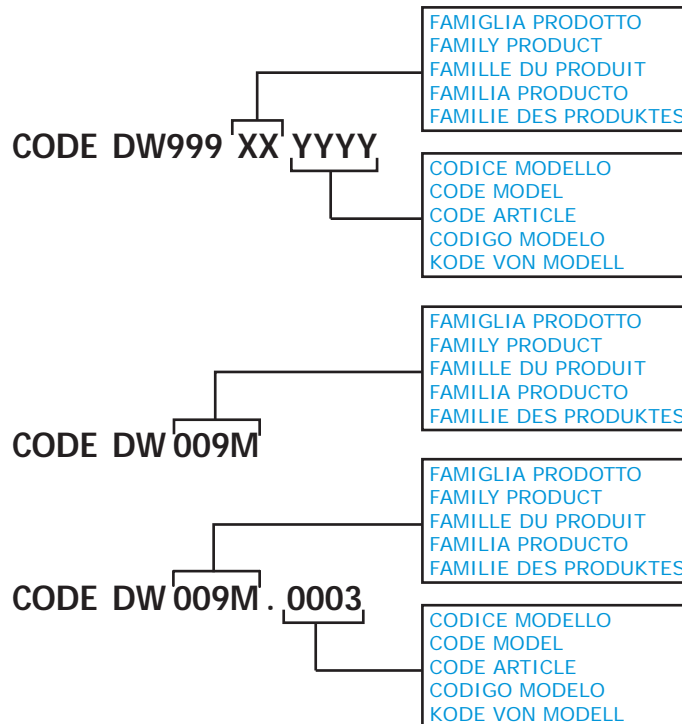
MADE IN ITALY



Temperatura massima acqua in ingresso 60°C
 Temperature max eau a l'entre
 Maximale Temperatur Wasseranschlu
 Maximum Water temperature in-feeding

Model 

S/N 



POSIZIONE MATRICOLA / LOCATION OF SERIAL NUMBER / EMBLACEMENT DU NUMERO DE SERIE

MATRICOLA
SERIAL NUMBER
NUMERO DE DERIE

MATRICOLA
SERIAL NUMBER
NUMERO DE DERIE

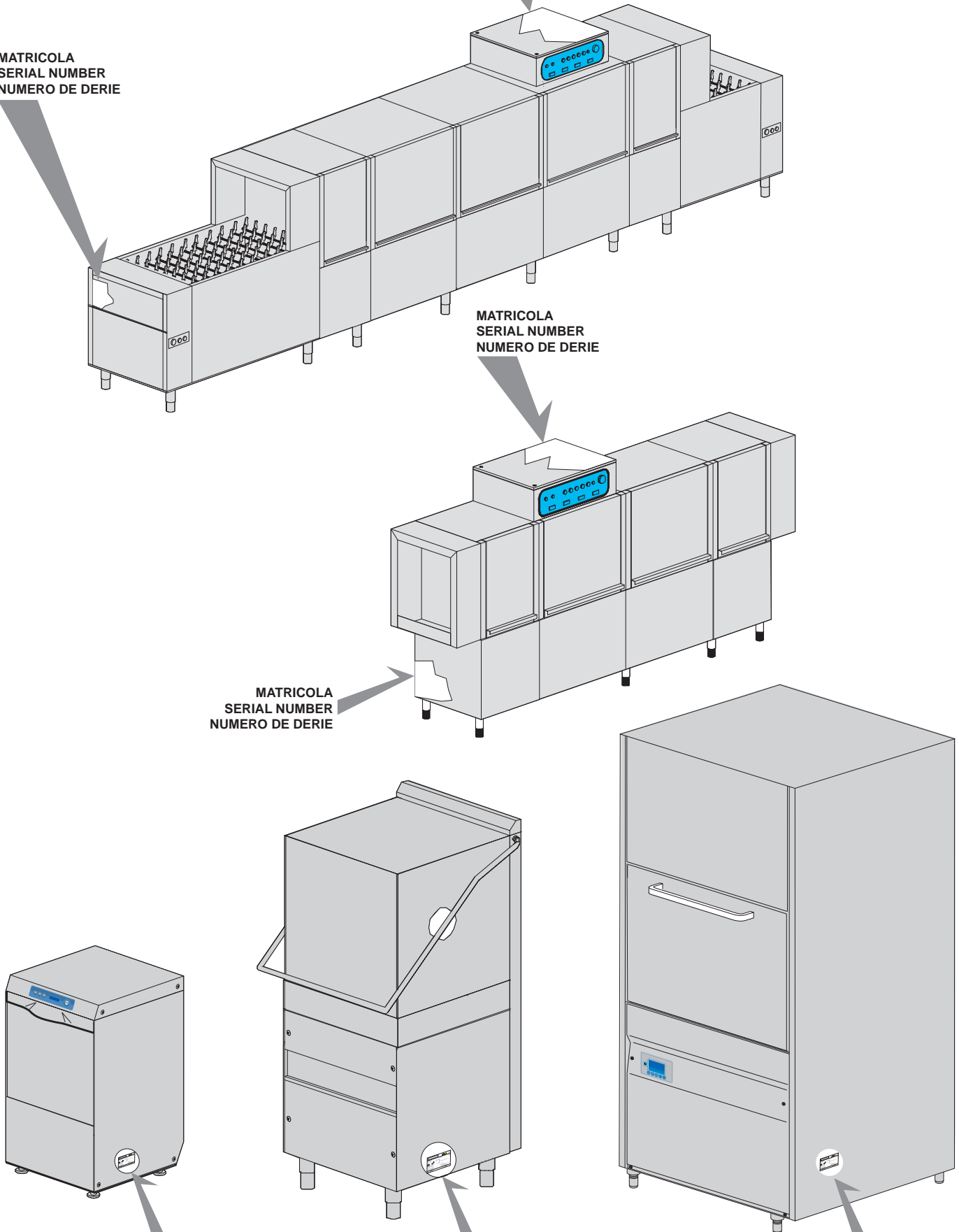
MATRICOLA
SERIAL NUMBER
NUMERO DE DERIE

MATRICOLA
SERIAL NUMBER
NUMERO DE DERIE

MATRICOLA
SERIAL NUMBER
NUMERO DE DERIE

MATRICOLA
SERIAL NUMBER
NUMERO DE DERIE

MATRICOLA
SERIAL NUMBER
NUMERO DE DERIE



1. Spare parts

| | |
|---|-----------|
| General body parts..... | 9 |
| Lockup system | 11 |
| Control panel and switches..... | 13 |
| UV Lamp..... | 15 |
| Electric control components..... | 17 |
| Solenoid valve group | 19 |
| Solenoid valve group | 21 |
| Rinse with steady temperature..... | 23 |
| Booster pump..... | 25 |
| DVGW valve | 27 |
| No return valve / drain..... | 29 |
| Water softner group..... | 31 |
| Rinse aid dispenser group..... | 33 |
| Boiler group | 35 |
| Wash pump | 37 |
| Dosing detergent group..... | 39 |

| | |
|--|-----------|
| Drain pump group..... | 41 |
| Pressure switch group with air trap ... | 43 |
| Turret group with rotating arms | 45 |

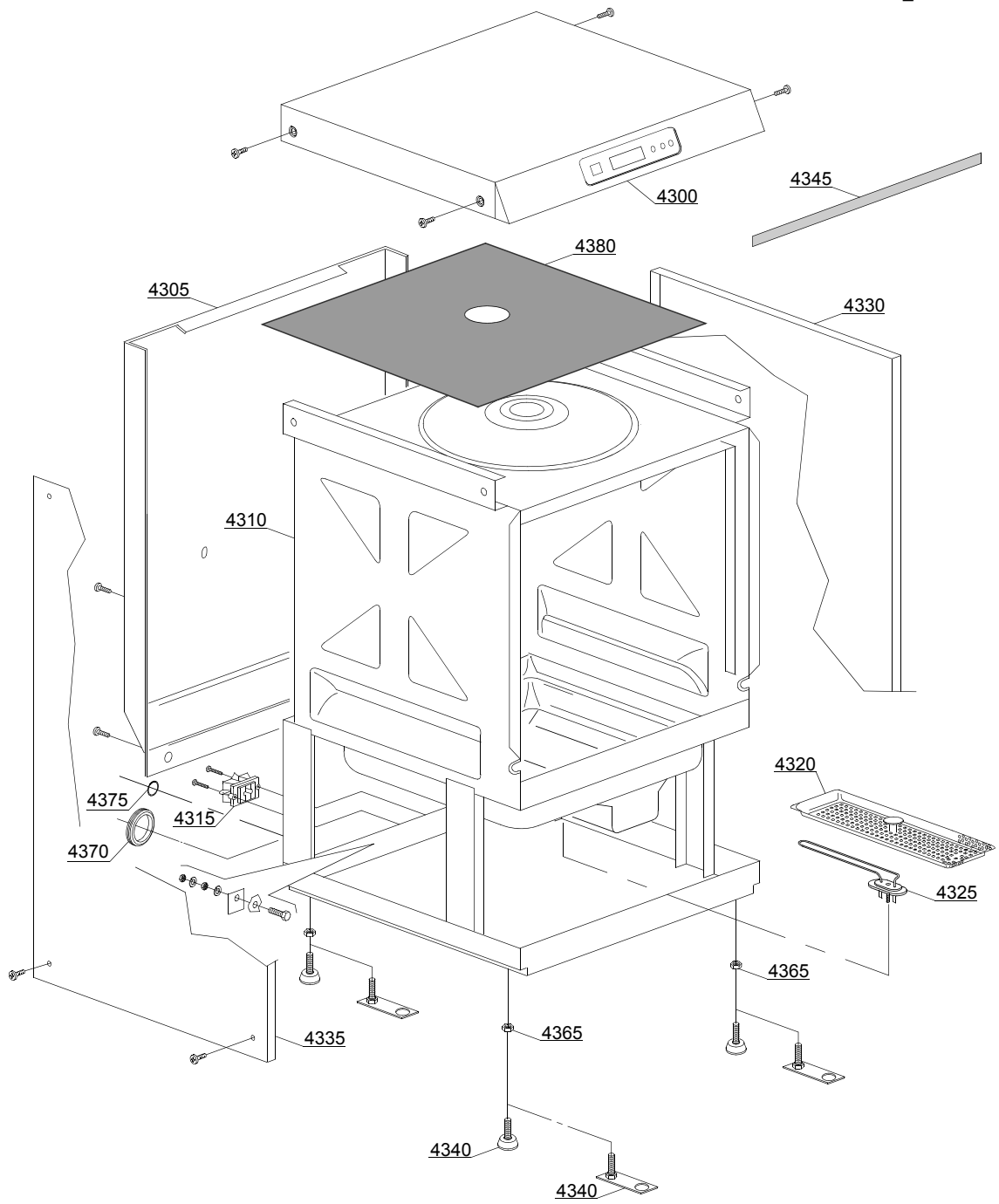
1.1 Voltage codes

| Volt | Voltage code |
|------|-------------------------|
| A | 3/N/PE~380-400V 50-60Hz |
| D | 3/PE~200-210V 50-60Hz |
| F | 2/PE~220-240V 50-60Hz |
| G | 3/N/PE~415V 50-60Hz |
| H | 3/PE~220-230V 50-60Hz |
| K | 3/PE~380-400V 50-60Hz |
| L | 3/PE~415V 50-60Hz |
| M | 3/PE~440V 60Hz |
| P | 1/N/PE~220-230V 50-60Hz |
| R | 2/PE~220-240V 50-60Hz |
| U | 1/N/PE~240V 50-60Hz |
| V | 3/PE~240V 50-60Hz |
| W | 1/N/PE~100-110V 50-60Hz |

1.2 Product codes

| Product code | Full name |
|-----------------|-------------------------|
| Model codes | |
| e | ELECTRONICAL SWITCHES |
| uw | LOWER AND UPPER WASHING |
| i | INSULATED MODEL |
| Type codes | |
| 108EN | 108EN |
| Accessory codes | |
| bt | BREAK TANK |
| bp | BOOSTER PUMP |
| dvgw | DVGW |
| cr | COLD RINSE |
| ws | WATER SOFTNER |
| dd | DETERGENT DISPENSER |
| dp | DRAIN PUMP |

01_002xe



Spare parts

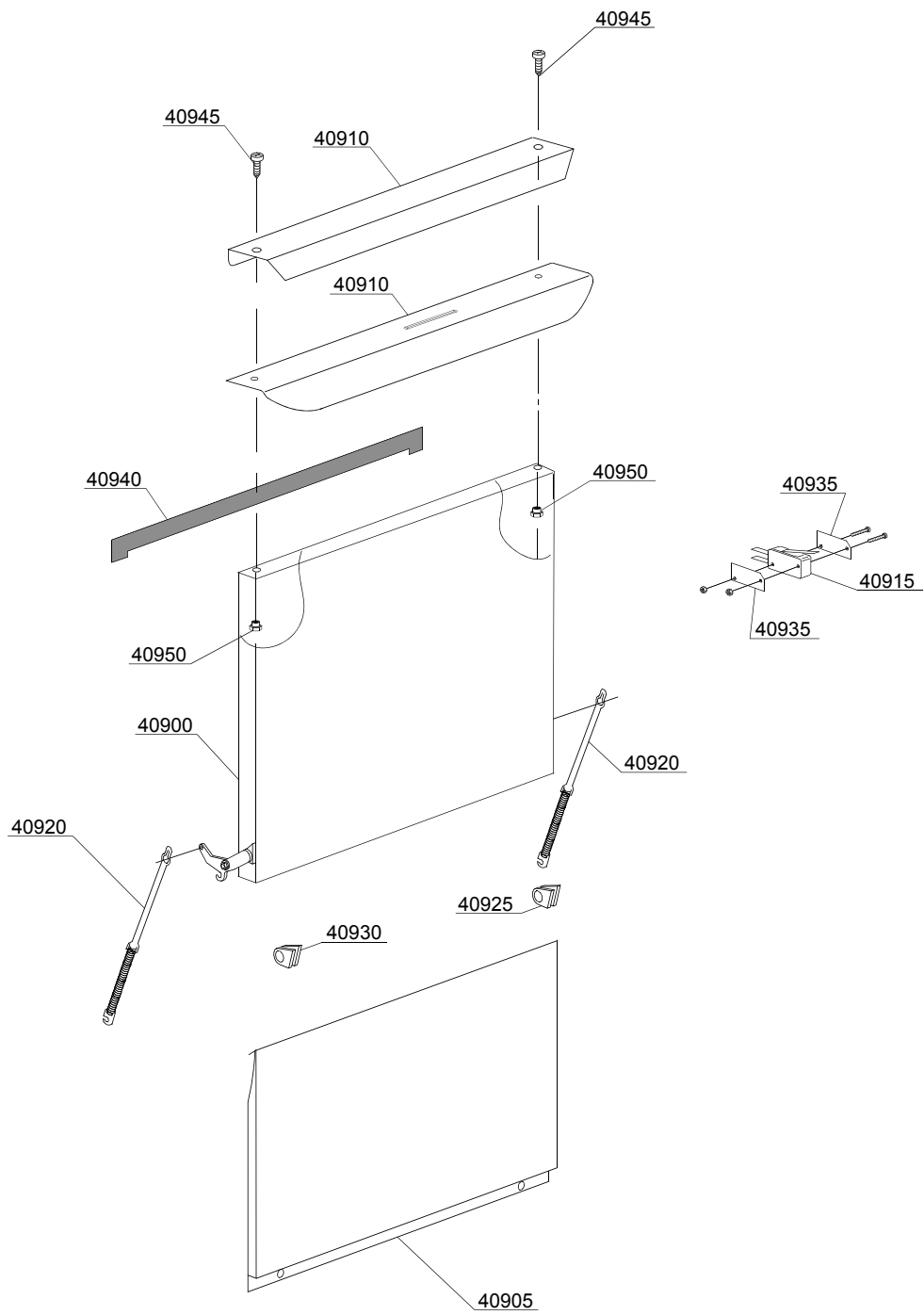
| ID | P-code | SN from | SN to | Mod. | Acces. | Volt | Description |
|----------------------------------|---------|---------|-------|------|--------|------|---|
| Module:General body parts | | | | | | | |
| 4300 | 561051 | | - | i,e | | | Cover |
| 4305 | 560938 | | - | i,e | bt | | Back panel |
| 4310 | 561000 | | - | i,e | | | Body |
| 4310 | 561001 | | - | i,e | ws | | Body |
| 4315 | 15065/A | | - | i,e | | | Cable-fastener with screw |
| 4320 | 561009 | | - | i,e | | | Surface filter |
| 4325 | 540401 | | - | i,e | | | 1100/1200W 230/240V heating element |
| 4330 | 560914 | | - | i,e | | | Right side |
| 4335 | 560915 | | - | i,e | | | Left side |
| 4340 | 10786 | | - | i,e | | | M10x25 Ø40 black foot (minimum 4 pieces) |
| 4340 | 15176 | | - | i,e | | | M10 marina foot |
| 4345 | 560021 | | - | i,e | | | Profile for door O-ring |
| 4365 | 11711 | | - | i,e | | | M10 zinc plated nut (minimum 20 pieces) |
| 4370 | 13317 | | - | i,e | | | D.40mm unloading pipe pass (minimum 2 pieces) |
| 4375 | 13323 | | - | i,e | | | D.13mm dosing pipe pass (minimum 2 pieces) |
| 4380 | 561064 | | - | i,e | | | Insulation cover |

e=ELECTRONICAL SWITCHES, uw=LOWER AND UPPER WASHING, i=INSULATED MODEL

108EN=108EN

bt=BREAK TANK, bp=BOOSTER PUMP, dvgw=DVGW, cr=COLD RINSE, ws=WATER SOFTNER, dd=DETERGENT DISPENSER, dp=DRAIN PUMP

A=3/N/PE~380-400V 50-60Hz, D=3/PE~200-210V 50-60Hz, F=2/PE~220-240V 50-60Hz, G=3/N/PE~415V 50-60Hz, H=3/PE~220-230V 50-60Hz, K=3/PE~380-400V 50-60Hz, L=3/PE~415V 50-60Hz, M=3/PE~440V 60Hz, P=1/N/PE~220-230V 50-60Hz, R=2/PE~220-240V 50-60Hz, U=1/N/PE~240V 50-60Hz, V=3/PE~240V 50-60Hz, W=1/N/PE~100-110V 50-60Hz



02_304ne

Spare parts

| ID | P-code | SN from | SN to | Mod. | Acces. | Volt | Description |
|------------------------------|--------|---------|-------|------|--------|------|--|
| Module: Lockup system | | | | | | | |
| 40900 | 560963 | | - | | | | Door with steel handle |
| 40905 | 560920 | | - | | | | Lower door |
| 40910 | 560955 | | - | | | | Stainless steel handle |
| 40910 | 560985 | | - | | | | Serie "S" stainless steel handle |
| 40915 | 10704 | | - | | | | Door microswitch |
| 40920 | 560003 | | - | | | | Door spring |
| 40925 | 560006 | | - | | | | Right lock for door hinge (minimum 2 pieces) |
| 40930 | 560007 | | - | | | | Left lock for door hinge (minimum 2 pieces) |
| 40935 | 10770 | | - | | | | Insulation for door microswitch (minimum 3 pieces) |
| 40940 | 560021 | | - | | | | Profile for door O-ring |
| 40945 | 11225 | | - | | | | M4x6 Inox Screw |
| 40950 | 11226 | | - | | | | M4 inox Plated nut |

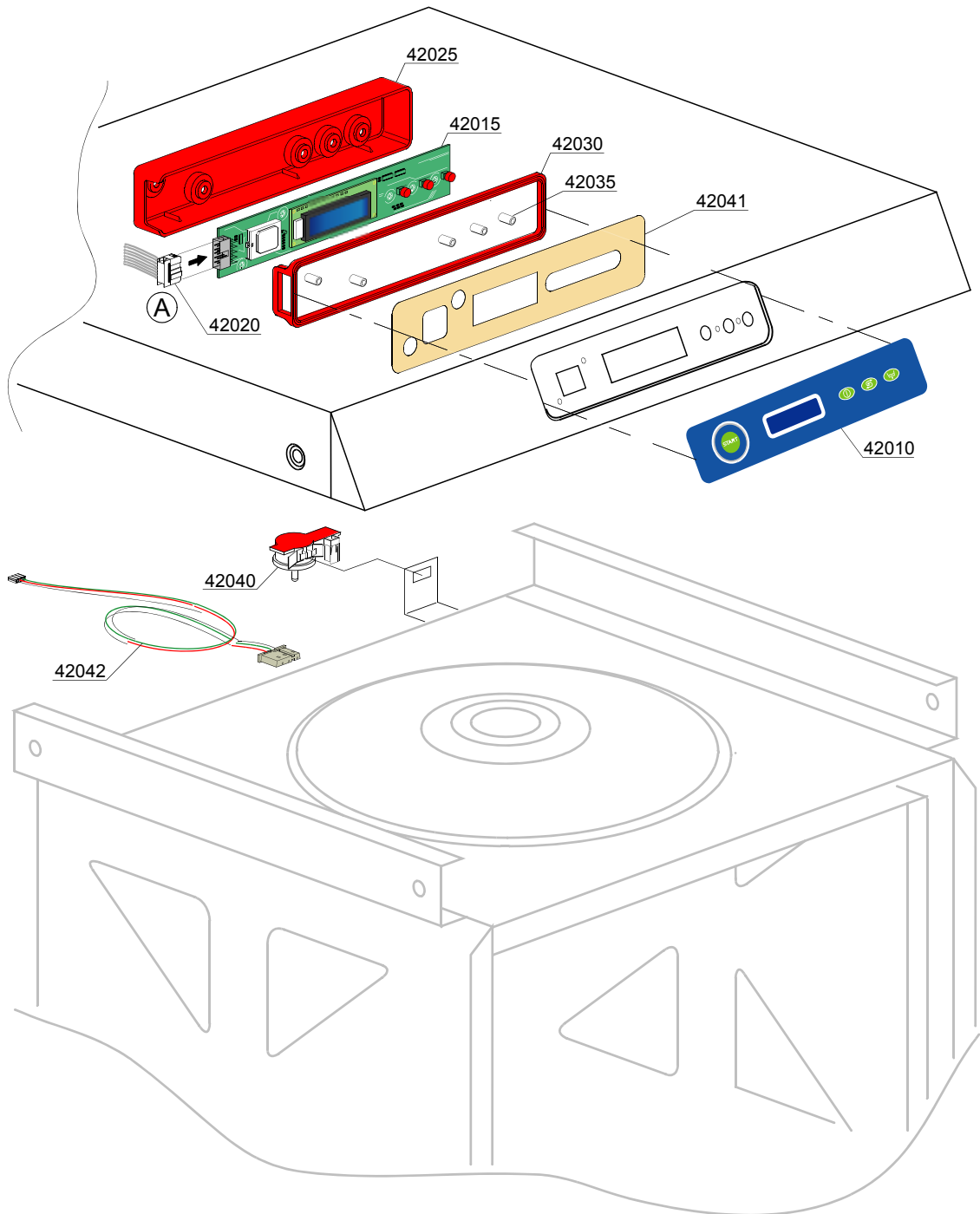
e=ELECTRONICAL SWITCHES, uw=LOWER AND UPPER WASHING, i=INSULATED MODEL

108EN=108EN

bt=BREAK TANK, bp=BOOSTER PUMP, dvgw=DVGW, cr=COLD RINSE, ws=WATER SOFTNER, dd=DETERGENT DISPENSER, dp=DRAIN PUMP

A=3/N/PE~380-400V 50-60Hz, D=3/PE~200-210V 50-60Hz, F=2/PE~220-240V 50-60Hz, G=3/N/PE~415V 50-60Hz, H=3/PE~220-230V 50-60Hz, K=3/PE~380-400V 50-60Hz, L=3/PE~415V 50-60Hz, M=3/PE~440V 60Hz, P=1/N/PE~220-230V 50-60Hz, R=2/PE~220-240V 50-60Hz, U=1/N/PE~240V 50-60Hz, V=3/PE~240V 50-60Hz, W=1/N/PE~100-110V 50-60Hz

03_043ne



Spare parts

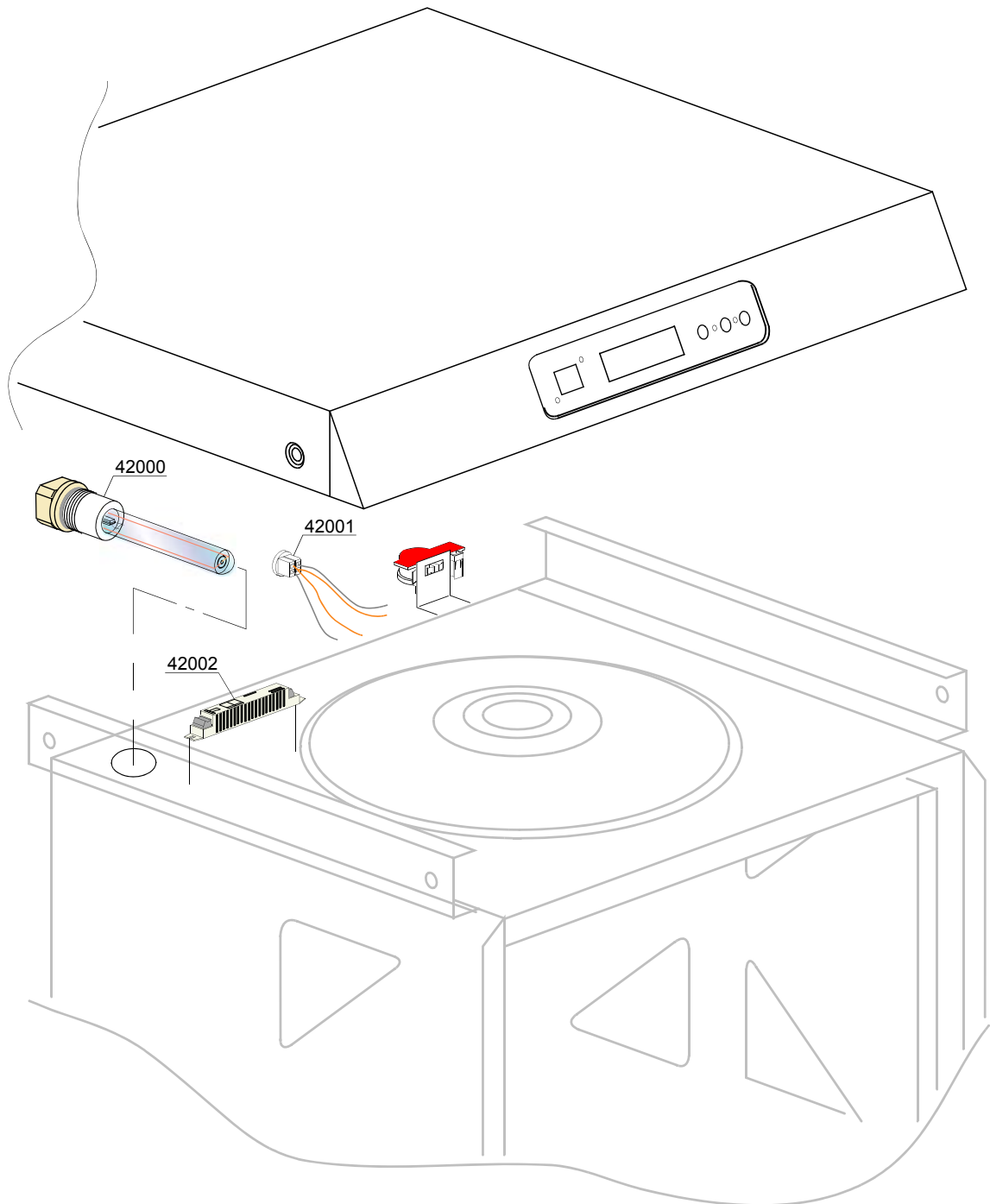
| ID | P-code | SN from | SN to | Mod. | Acces. | Volt | Description |
|--|----------|---------|-------|------|--------|------|--|
| Module:Control panel and switches | | | | | | | |
| 42010 | 560050 | | - | e | | | Silkscreen processed grill membrane push button-driver |
| 42015 | 560051 | | - | e | | | Compleat membrane push button-driver |
| 42020 | 50652 | | - | e | | | Plug (L=3000mm) |
| 42025 | 560051/A | | - | e | | | Protective cover for board |
| 42030 | 560051/B | | - | e | | | Gaskets for protective cover |
| 42035 | 50561 | | - | e | | | Board spacer |
| 42040 | 540205 | | - | e | | | 0-30 mbar pressure switch |
| 42041 | 560053 | | - | e | | | Insulating protection |
| 42042 | 6106504 | | - | e | | | Linear pressure switch wiring |

e=ELECTRONICAL SWITCHES, uw=LOWER AND UPPER WASHING, i=INSULATED MODEL

108EN=108EN

bt=BREAK TANK, bp=BOOSTER PUMP, dvgw=DVGW, cr=COLD RINSE, ws=WATER SOFTNER, dd=DETERGENT DISPENSER, dp=DRAIN PUMP

A=3/N/PE~380-400V 50-60Hz, D=3/PE~200-210V 50-60Hz, F=2/PE~220-240V 50-60Hz, G=3/N/PE~415V 50-60Hz, H=3/PE~220-230V 50-60Hz, K=3/PE~380-400V 50-60Hz, L=3/PE~415V 50-60Hz, M=3/PE~440V 60Hz, P=1/N/PE~220-230V 50-60Hz, R=2/PE~220-240V 50-60Hz, U=1/N/PE~240V 50-60Hz, V=3/PE~240V 50-60Hz, W=1/N/PE~100-110V 50-60Hz



Spare parts

| ID | P-code | SN from | SN to | Mod. | Acces. | Volt | Description |
|-----------------------|----------|---------|-------|------|--------|------|--------------------------|
| Module:UV Lamp | | | | | | | |
| 42000 | 560064 | | - | e | | | UV lamp |
| 42001 | 560064/A | | - | e | | | UV lamp connection cable |
| 42002 | 560064/B | | - | e | | | UV lamp ballast |

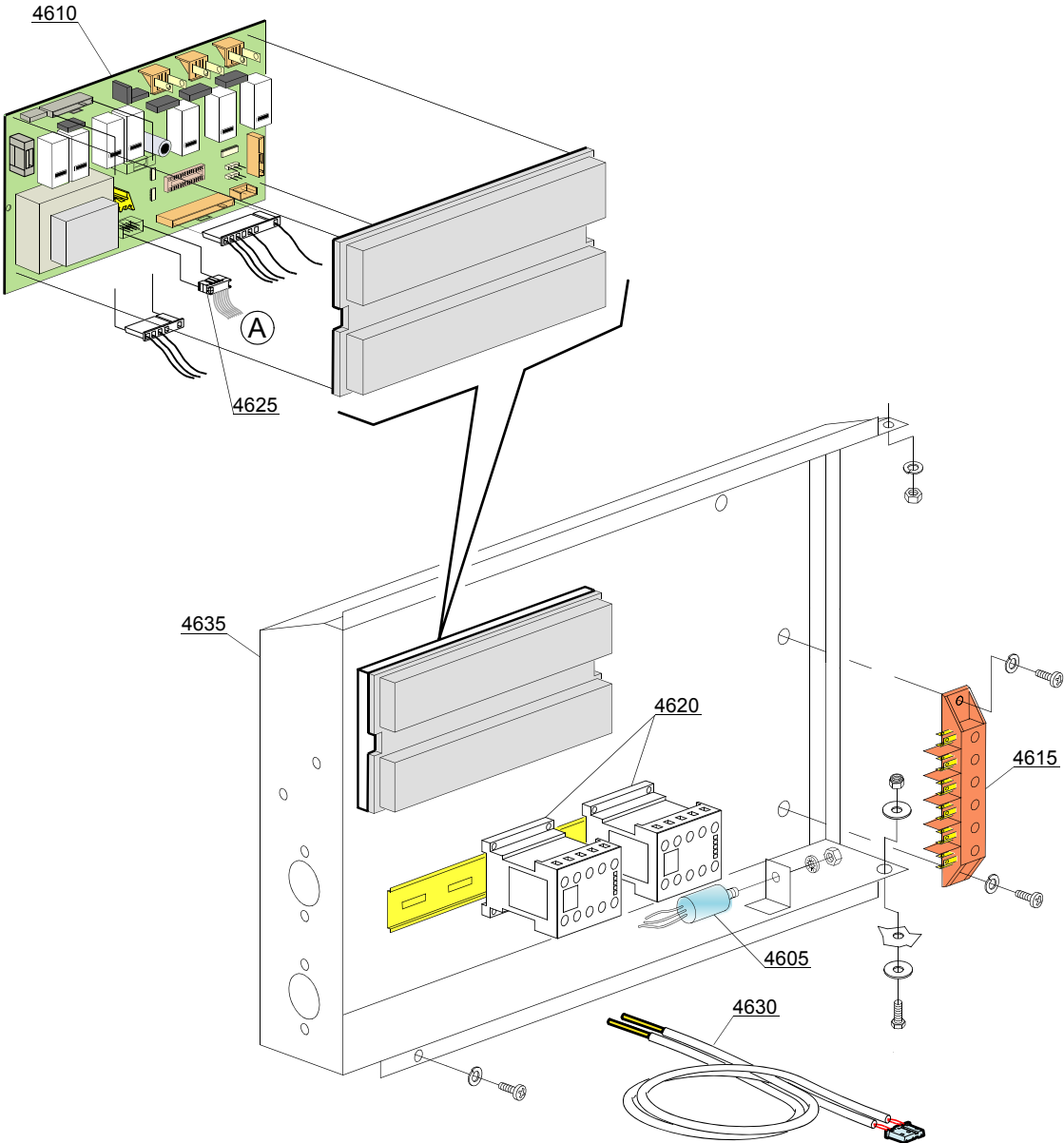
e=ELECTRONICAL SWITCHES, uw=LOWER AND UPPER WASHING, i=INSULATED MODEL

108EN=108EN

bt=BREAK TANK, bp=BOOSTER PUMP, dvgw=DVGW, cr=COLD RINSE, ws=WATER SOFTNER, dd=DETERGENT DISPENSER, dp=DRAIN PUMP

A=3/N/PE~380-400V 50-60Hz, D=3/PE~200-210V 50-60Hz, F=2/PE~220-240V 50-60Hz, G=3/N/PE~415V 50-60Hz, H=3/PE~220-230V 50-60Hz, K=3/PE~380-400V 50-60Hz, L=3/PE~415V 50-60Hz, M=3/PE~440V 60Hz, P=1/N/PE~220-230V 50-60Hz, R=2/PE~220-240V 50-60Hz, U=1/N/PE~240V 50-60Hz, V=3/PE~240V 50-60Hz, W=1/N/PE~100-110V 50-60Hz

04_019xe



Spare parts

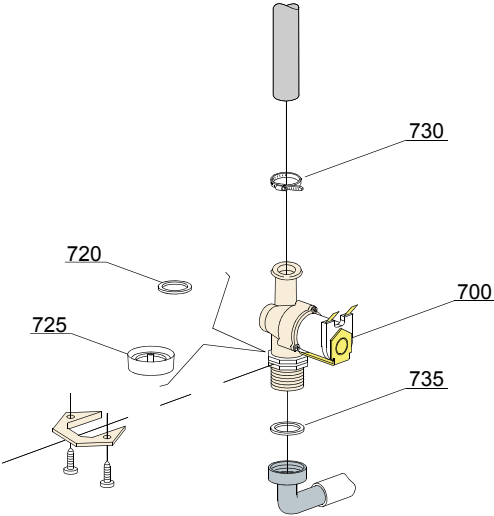
| ID | P-code | SN from | SN to | Mod. | Acces. | Volt | Description |
|---|---------|---------|-------|------|--------|------|-------------------------------|
| Module:Electric control components | | | | | | | |
| 4605 | 15146 | | - | e,i | | | Low noise filter F3 (0,1mF) |
| 4605 | 15149 | | - | e,i | | | Low noise filter F3 (0,3mF) |
| 4605 | 15187 | | - | e,i | | | Low noise filter F3 440 VaC 3 |
| 4610 | 561060 | | - | e,i | | | 2010 Main board |
| 4615 | 500551 | | - | e,i | | | 6 poles terminal board |
| 4620 | 15086 | | - | e,i | | | Contactora 230V 50/60Hz 4C |
| 4620 | 15086/B | | - | e,i | | | Contactora 240V 50Hz |
| 4620 | 15086/T | | - | e,i | | | 200Vac3N 50/60HZ contactora |
| 4625 | 50652 | | - | e,i | | | Plug |
| 4630 | 50562 | | - | e,i | | | Temperature probe set |
| 4635 | 560921 | | - | e,i | | | Electric components panel |

e=ELECTRONICAL SWITCHES, uw=LOWER AND UPPER WASHING, i=INSULATED MODEL

108EN=108EN

bt=BREAK TANK, bp=BOOSTER PUMP, dvgw=DVGW, cr=COLD RINSE, ws=WATER SOFTNER, dd=DETERGENT DISPENSER, dp=DRAIN PUMP

A=3/N/PE~380-400V 50-60Hz, D=3/PE~200-210V 50-60Hz, F=2/PE~220-240V 50-60Hz, G=3/N/PE~415V 50-60Hz, H=3/PE~220-230V 50-60Hz, K=3/PE~380-400V 50-60Hz, L=3/PE~415V 50-60Hz, M=3/PE~440V 60Hz, P=1/N/PE~220-230V 50-60Hz, R=2/PE~220-240V 50-60Hz, U=1/N/PE~240V 50-60Hz, V=3/PE~240V 50-60Hz, W=1/N/PE~100-110V 50-60Hz



05_002_e

Spare parts

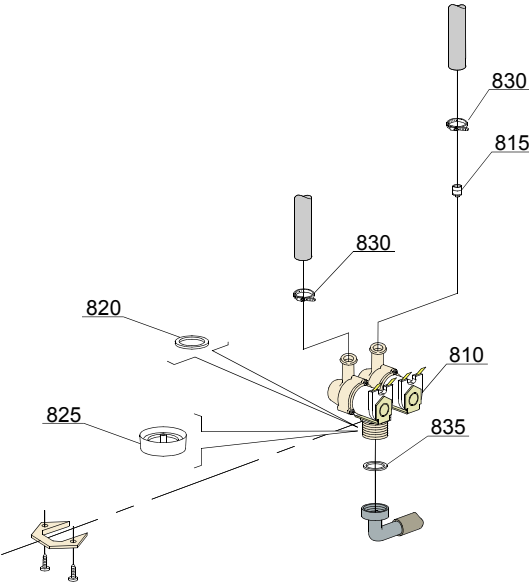
| ID | P-code | SN from | SN to | Mod. | Acces. | Volt | Description |
|------------------------------------|--------|---------|-------|------|--------|------|--------------------------------|
| Module:Solenoid valve group | | | | | | | |
| 700 | 10703 | | - | i,e | | | Single solenoid valve - 230Vac |
| 720 | N.C. | | - | i,e | | | Pression reducing valve |
| 730 | 11807 | | - | i,e | | | 12/22 clamp (minimum 3 pieces) |
| 735 | 13307 | | - | i,e | | | 3/4 gasket |

e=ELECTRONICAL SWITCHES, uw=LOWER AND UPPER WASHING, i=INSULATED MODEL

108EN=108EN

bt=BREAK TANK, bp=BOOSTER PUMP, dvgw=DVGW, cr=COLD RINSE, ws=WATER SOFTNER, dd=DETERGENT DISPENSER, dp=DRAIN PUMP

A=3/N/PE~380-400V 50-60Hz, D=3/PE~200-210V 50-60Hz, F=2/PE~220-240V 50-60Hz, G=3/N/PE~415V 50-60Hz, H=3/PE~220-230V 50-60Hz, K=3/PE~380-400V 50-60Hz, L=3/PE~415V 50-60Hz, M=3/PE~440V 60Hz, P=1/N/PE~220-230V 50-60Hz, R=2/PE~220-240V 50-60Hz, U=1/N/PE~240V 50-60Hz, V=3/PE~240V 50-60Hz, W=1/N/PE~100-110V 50-60Hz



05_003_€

Spare parts

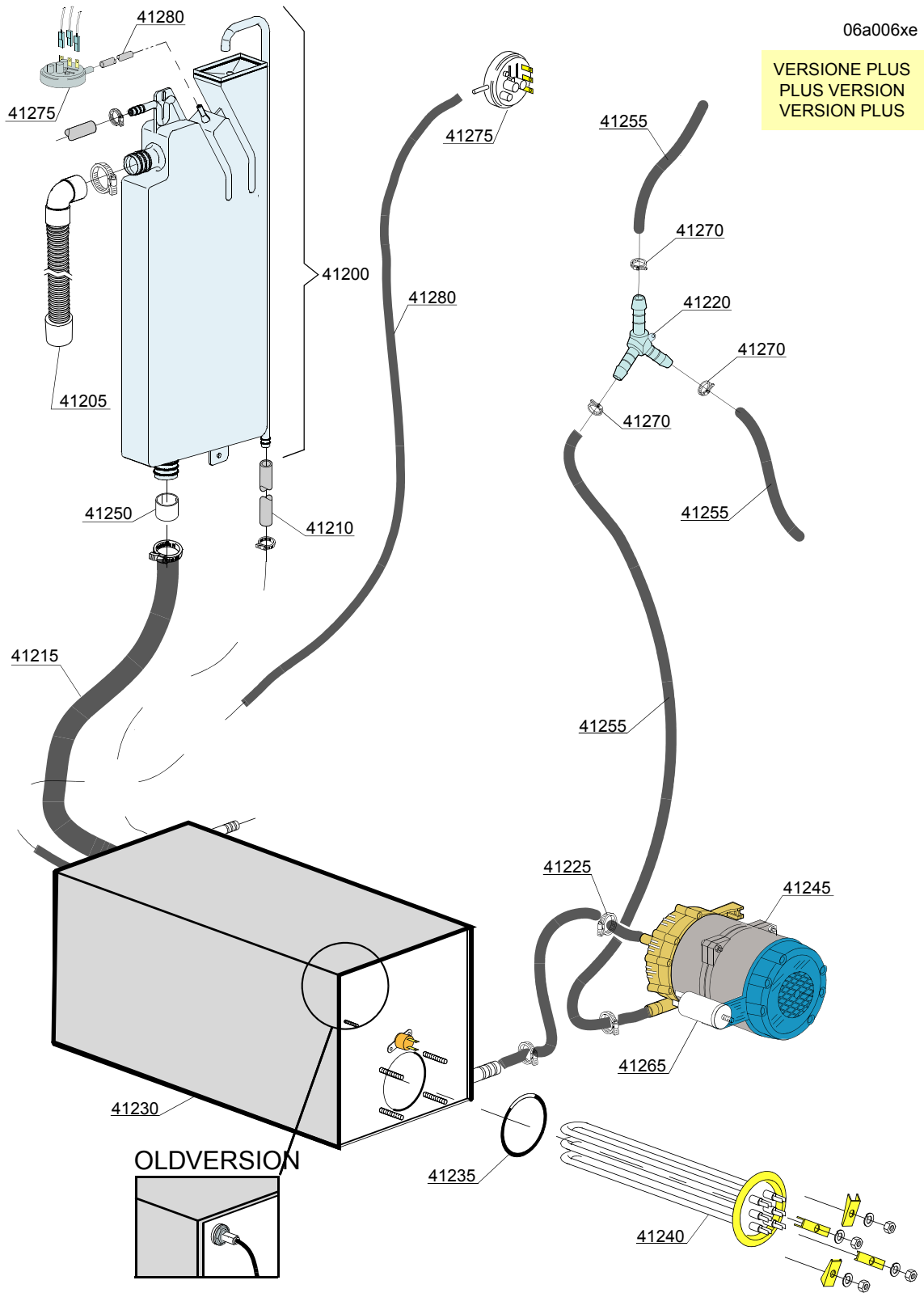
| ID | P-code | SN from | SN to | Mod. | Acces. | Volt | Description |
|------------------------------------|--------|---------|-------|------|--------|------|---|
| Module:Solenoid valve group | | | | | | | |
| 810 | 15098 | | - | i,e | cr,ws | | Double solenoid valve - Ø10 - 230Vac |
| 815 | 15115 | | - | e,i | cr,ws | | Green pression solenoid valve for regeneration (minimum 2 pieces) |
| 820 | N.C. | | - | e,i | cr,ws | | Pression reducing valve |
| 830 | 11807 | | - | i,e | | | 12/22 clamp (minimum 3 pieces) |
| 835 | 13307 | | - | i,e | | | 3/4 gasket |

e=ELECTRONICAL SWITCHES, uw=LOWER AND UPPER WASHING, i=INSULATED MODEL

108EN=108EN

bt=BREAK TANK, bp=BOOSTER PUMP, dvgw=DVGW, cr=COLD RINSE, ws=WATER SOFTNER, dd=DETERGENT DISPENSER, dp=DRAIN PUMP

A=3/N/PE~380-400V 50-60Hz, D=3/PE~200-210V 50-60Hz, F=2/PE~220-240V 50-60Hz, G=3/N/PE~415V 50-60Hz, H=3/PE~220-230V 50-60Hz, K=3/PE~380-400V 50-60Hz, L=3/PE~415V 50-60Hz, M=3/PE~440V 60Hz, P=1/N/PE~220-230V 50-60Hz, R=2/PE~220-240V 50-60Hz, U=1/N/PE~240V 50-60Hz, V=3/PE~240V 50-60Hz, W=1/N/PE~100-110V 50-60Hz



Spare parts

| ID | P-code | SN from | SN to | Mod. | Acces. | Volt | Description |
|--|----------|---------|-------|------|--------|------|---|
| Module: Rinse with steady temperature | | | | | | | |
| 41200 | 15735 | | - | e,i | | | 2,4 lt break tank assembly |
| 41205 | 15722 | | - | e,i | | | BT middle pipe L=920m Ø 28 |
| 41210 | 2907352 | | - | e,i | | | PVC WRAS rubber hose |
| 41215 | 18044 | | - | e,i | | | Ø28 pipe |
| 41220 | 540091 | | - | e,i | | | Ø12 mm plastic 3 ways connection |
| 41225 | 11800 | | - | e,i | | | Clamp aisi 430 10/17 |
| 41230 | 561065 | | - | e,i | | | Boiler |
| 41235 | 13015 | | - | e,i | | | OR (O-ring) 6225 gasket 160 NBR |
| 41240 | 15089 | | - | e,i | | | Boiler Element 4,5KW 230 / 240 VaC 3 |
| 41240 | 15089/B | | - | e,i | | | Boiler Element 4,5KW 240 /440 V |
| 41240 | 15089/E | | - | e,i | | | Boiler Element 6KW 230 / 240 VaC 3 |
| 41245 | 15100/DO | | - | e,i | | | Rinsing pump |
| 41250 | 12533 | | - | e,i | | | Reinforce for pipe in exit (break rank) |
| 41255 | 2907351 | | - | e,i | | | BPDM Ø11,5x19 rubber hose |
| 41265 | 10702 | | - | e,i | | | 5 uF condenser |
| 41270 | 11807 | | - | e,i | | | Clamp aisi430 12/22 |
| 41275 | 10706/A | | - | e,i | | | 46-26 pressure switch |
| 41280 | 14508 | | - | e,i | | | 4,5X9 EPDM rubber hose (minimum 2mt) |

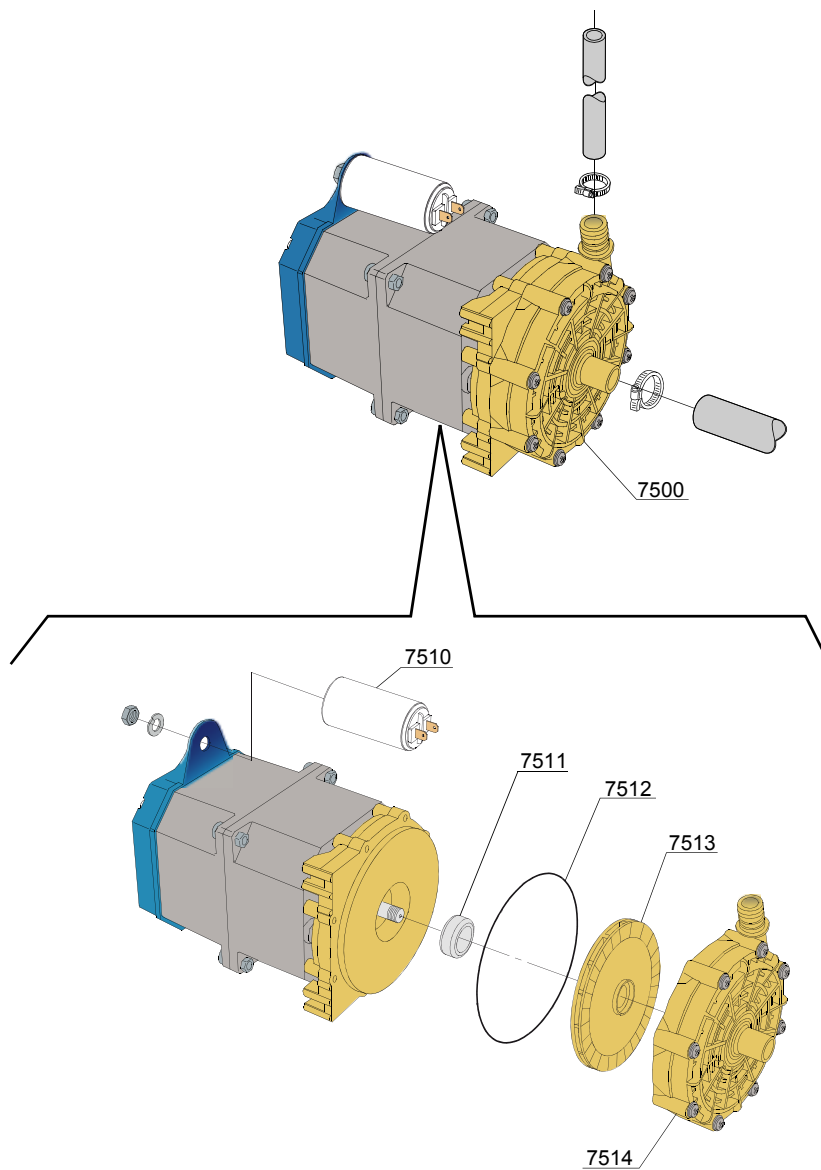
e=ELECTRONICAL SWITCHES, uw=LOWER AND UPPER WASHING, i=INSULATED MODEL

108EN=108EN

bt=BREAK TANK, bp=BOOSTER PUMP, dvgw=DVGW, cr=COLD RINSE, ws=WATER SOFTNER, dd=DETERGENT DISPENSER, dp=DRAIN PUMP

A=3/N/PE~380-400V 50-60Hz, D=3/PE~200-210V 50-60Hz, F=2/PE~220-240V 50-60Hz, G=3/N/PE~415V 50-60Hz, H=3/PE~220-230V 50-60Hz, K=3/PE~380-400V 50-60Hz, L=3/PE~415V 50-60Hz, M=3/PE~440V 60Hz, P=1/N/PE~220-230V 50-60Hz, R=2/PE~220-240V 50-60Hz, U=1/N/PE~240V 50-60Hz, V=3/PE~240V 50-60Hz, W=1/N/PE~100-110V 50-60Hz

07a003pe



VERSIONE PLUS
SYSTEM PLUS VERSION
VERSION SYSTEME PLUS

Spare parts

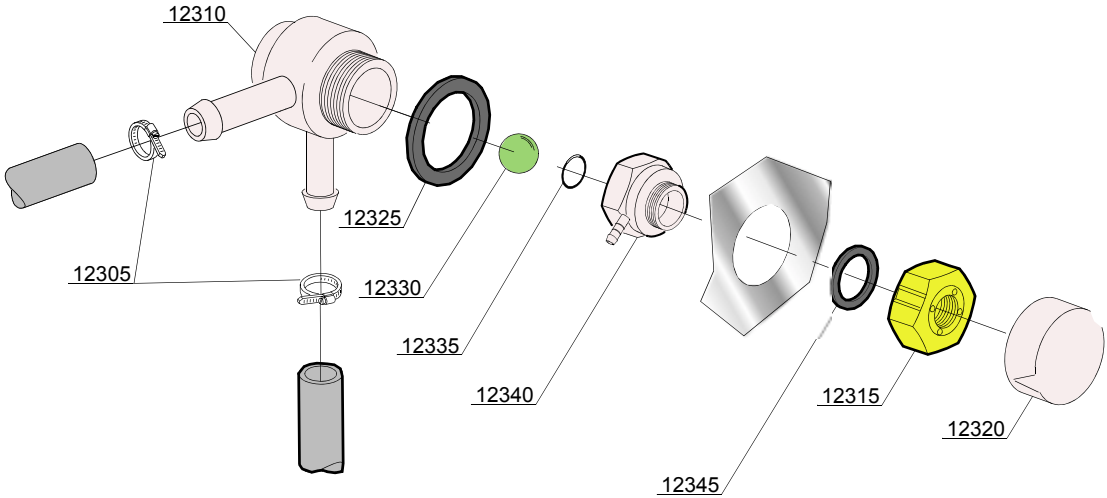
| ID | P-code | SN from | SN to | Mod. | Acces. | Volt | Description |
|----------------------------|----------|---------|-------|------|--------|------|---|
| Module:Booster pump | | | | | | | |
| 7500 | 15100/DO | | - | e,i | bp | | Booster pump 220/240V - body pumps in plastic |
| 7510 | 10702 | | - | e,i | bp | | 5 uF condenser - 450V |
| 7511 | 15100/S | | - | e,i | bp | | Rotating seals |
| 7512 | 15100/T | | - | e,i | bp | | OR (O-ring) gasket EPDM |
| 7513 | 15100/U | | - | e,i | bp | | Pump rotor |
| 7514 | 15100/V | | - | e,i | bp | | Scroll |

e=ELECTRONICAL SWITCHES, uw=LOWER AND UPPER WASHING, i=INSULATED MODEL

108EN=108EN

bt=BREAK TANK, bp=BOOSTER PUMP, dvgw=DVGW, cr=COLD RINSE, ws=WATER SOFTNER, dd=DETERGENT DISPENSER, dp=DRAIN PUMP

A=3/N/PE~380-400V 50-60Hz, D=3/PE~200-210V 50-60Hz, F=2/PE~220-240V 50-60Hz, G=3/N/PE~415V 50-60Hz, H=3/PE~220-230V 50-60Hz, K=3/PE~380-400V 50-60Hz, L=3/PE~415V 50-60Hz, M=3/PE~440V 60Hz, P=1/N/PE~220-230V 50-60Hz, R=2/PE~220-240V 50-60Hz, U=1/N/PE~240V 50-60Hz, V=3/PE~240V 50-60Hz, W=1/N/PE~100-110V 50-60Hz



08_005ye

Spare parts

| ID | P-code | SN from | SN to | Mod. | Acces. | Volt | Description |
|--------------------------|--------|---------|-------|------|--------|------|-------------------------------------|
| Module:DVGW valve | | | | | | | |
| 12305 | 11807 | | - | | dvgw | | Clamp aisi430 12/22 |
| 12310 | 15280 | | - | | dvgw | | Valve body center |
| 12315 | 15281 | | - | | dvgw | | Flat valve |
| 12320 | 15282 | | - | | dvgw | | Flat valve cover |
| 12325 | 15283 | | - | | dvgw | | Valve gasket |
| 12330 | 15284 | | - | | dvgw | | Sphere |
| 12335 | 15285 | | - | | dvgw | | O-ring 115 KTW |
| 12340 | 15287 | | - | | dvgw | | Extension to the DVGW-valve exhaust |
| 12345 | 15283 | | - | | dvgw | | O-ring |

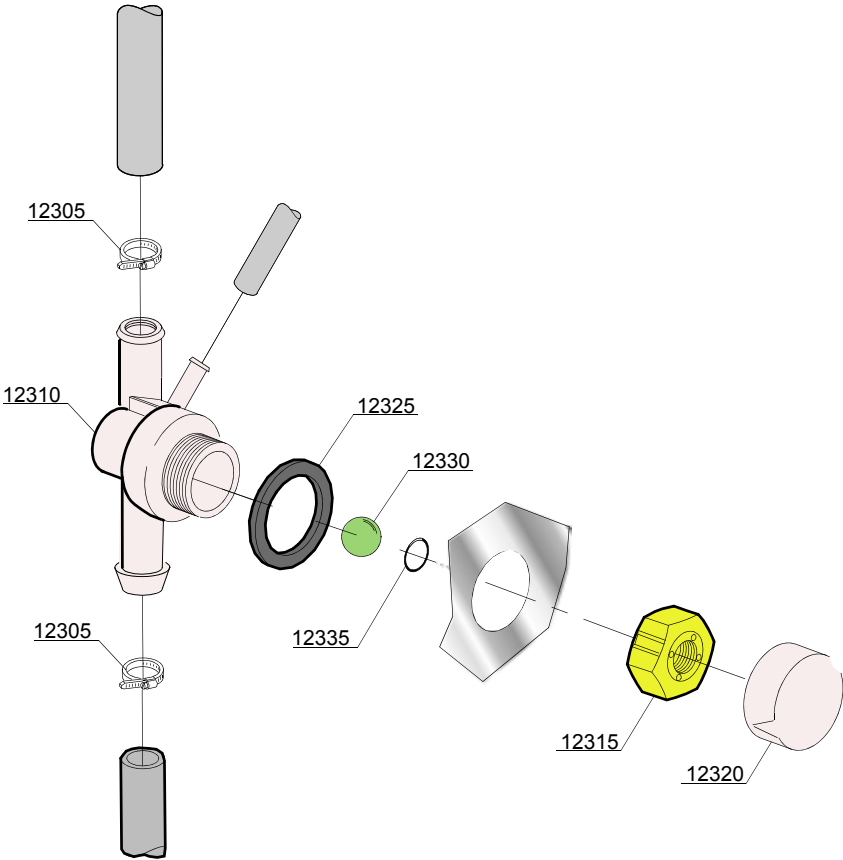
e=ELECTRONICAL SWITCHES, uw=LOWER AND UPPER WASHING, i=INSULATED MODEL

108EN=108EN

bt=BREAK TANK, bp=BOOSTER PUMP, dvgw=DVGW, cr=COLD RINSE, ws=WATER SOFTNER, dd=DETERGENT DISPENSER, dp=DRAIN PUMP

A=3/N/PE~380-400V 50-60Hz, D=3/PE~200-210V 50-60Hz, F=2/PE~220-240V 50-60Hz, G=3/N/PE~415V 50-60Hz, H=3/PE~220-230V 50-60Hz, K=3/PE~380-400V 50-60Hz, L=3/PE~415V 50-60Hz, M=3/PE~440V 60Hz, P=1/N/PE~220-230V 50-60Hz, R=2/PE~220-240V 50-60Hz, U=1/N/PE~240V 50-60Hz, V=3/PE~240V 50-60Hz, W=1/N/PE~100-110V 50-60Hz

08_005ze



Spare parts

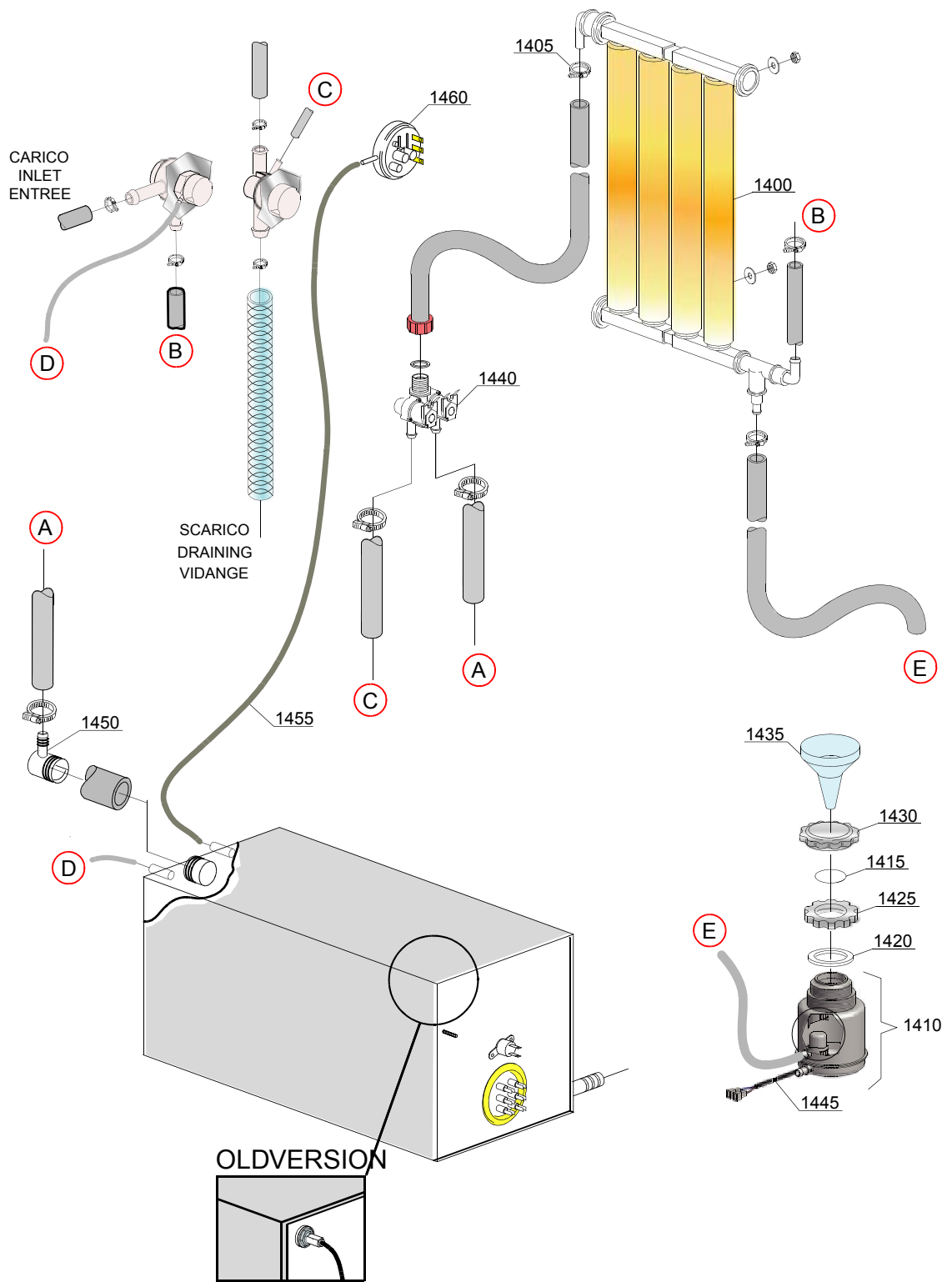
| ID | P-code | SN from | SN to | Mod. | Acces. | Volt | Description |
|---------------------------------------|--------|---------|-------|------|--------|------|---------------------|
| Module:No return valve / drain | | | | | | | |
| 12305 | 11807 | | - | | dvgw | | Clamp aisi430 12/22 |
| 12310 | 15288 | | - | | dvgw | | Valve body center |
| 12315 | 15281 | | - | | dvgw | | Flat valve |
| 12320 | 15282 | | - | | dvgw | | Flat valve cover |
| 12325 | 15283 | | - | | dvgw | | Valve gasket |
| 12330 | 15284 | | - | | dvgw | | Sphere |
| 12335 | 15285 | | - | | dvgw | | O-ring 115 KTW |

e=ELECTRONICAL SWITCHES, uw=LOWER AND UPPER WASHING, i=INSULATED MODEL

108EN=108EN

bt=BREAK TANK, bp=BOOSTER PUMP, dvgw=DVGW, cr=COLD RINSE, ws=WATER SOFTNER, dd=DETERGENT DISPENSER, dp=DRAIN PUMP

A=3/N/PE~380-400V 50-60Hz, D=3/PE~200-210V 50-60Hz, F=2/PE~220-240V 50-60Hz, G=3/N/PE~415V 50-60Hz, H=3/PE~220-230V 50-60Hz, K=3/PE~380-400V 50-60Hz, L=3/PE~415V 50-60Hz, M=3/PE~440V 60Hz, P=1/N/PE~220-230V 50-60Hz, R=2/PE~220-240V 50-60Hz, U=1/N/PE~240V 50-60Hz, V=3/PE~240V 50-60Hz, W=1/N/PE~100-110V 50-60Hz



09a001ke

Spare parts

| ID | P-code | SN from | SN to | Mod. | Acces. | Volt | Description |
|-----------------------------------|---------|---------|-------|------|--------|------|--|
| Module:Water softner group | | | | | | | |
| 1400 | 16066 | | - | e | ws | | 4 elements water softner |
| 1405 | 11807 | | - | e | ws | | 12/22 clamp (minimum 3 pieces) |
| 1410 | 16072 | | - | e | ws | | Salt container |
| 1415 | 16067/A | | - | e | ws | | OR O-ring |
| 1420 | 16067/B | | - | e | ws | | O-ring |
| 1425 | 16067/C | | - | e | ws | | Ring nut |
| 1430 | 16067/D | | - | e | ws | | Plug |
| 1435 | 16082 | | - | e | ws | | Funnel |
| 1440 | 15214 | | - | e | ws | | Solenoid valve 3/4 1xNA / 1xNO 220-240V 50-60 Hz |
| 1445 | 16072/A | | - | e | ws | | Sensor |
| 1450 | 561055 | | - | e | ws | | 90° inox pipe fitting (Ø30-11) |
| 1455 | 14508 | | - | e | ws | | 4,5X9 EPDM rubber hose (minimum 2mt) |
| 1460 | 10706/A | | - | e | ws | | 46-26 pressure switch |

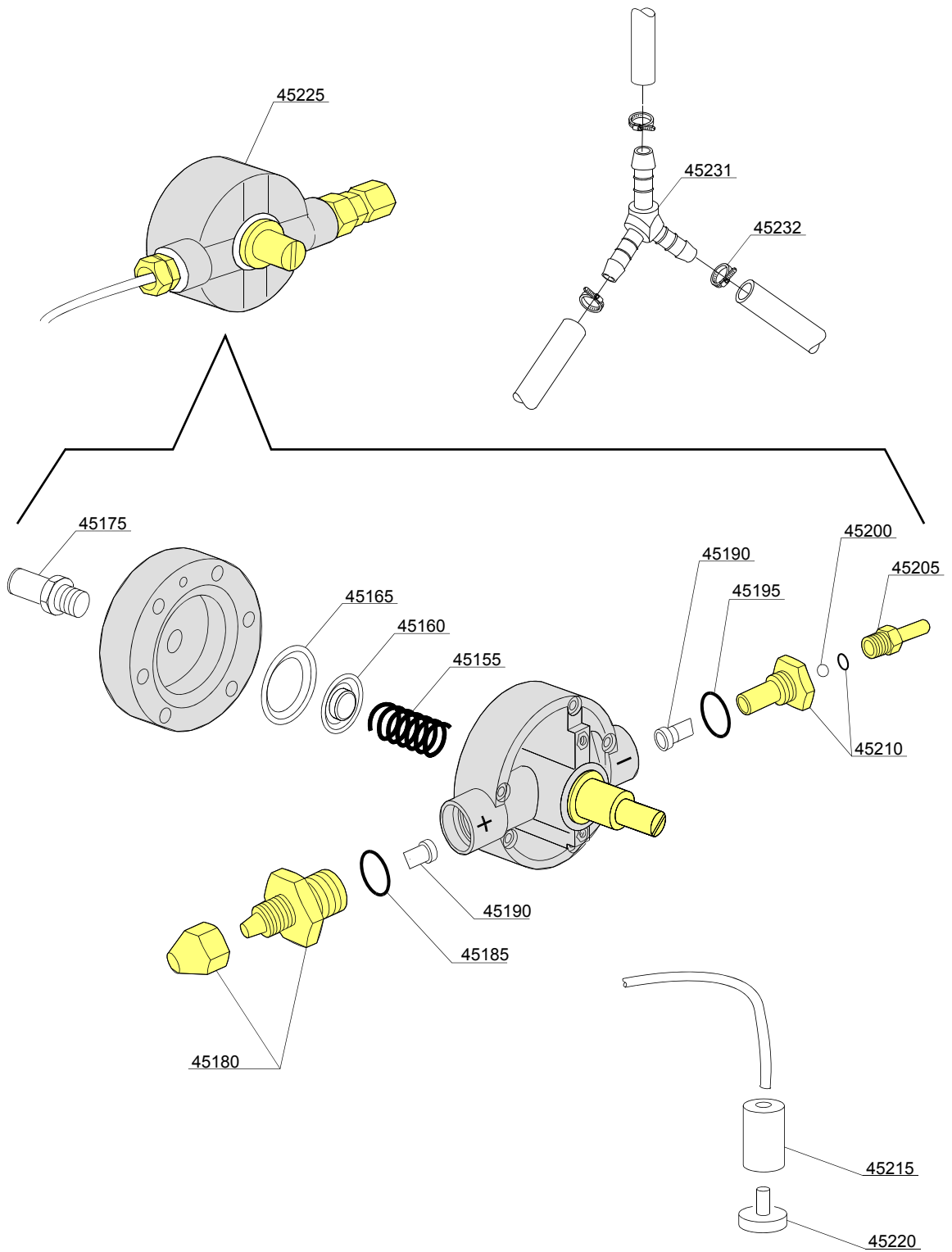
e=ELECTRONICAL SWITCHES, uw=LOWER AND UPPER WASHING, i=INSULATED MODEL

108EN=108EN

bt=BREAK TANK, bp=BOOSTER PUMP, dvgw=DVGW, cr=COLD RINSE, ws=WATER SOFTNER, dd=DETERGENT DISPENSER, dp=DRAIN PUMP

A=3/N/PE~380-400V 50-60Hz, D=3/PE~200-210V 50-60Hz, F=2/PE~220-240V 50-60Hz, G=3/N/PE~415V 50-60Hz, H=3/PE~220-230V 50-60Hz, K=3/PE~380-400V 50-60Hz, L=3/PE~415V 50-60Hz, M=3/PE~440V 60Hz, P=1/N/PE~220-230V 50-60Hz, R=2/PE~220-240V 50-60Hz, U=1/N/PE~240V 50-60Hz, V=3/PE~240V 50-60Hz, W=1/N/PE~100-110V 50-60Hz

10_001be



Spare parts

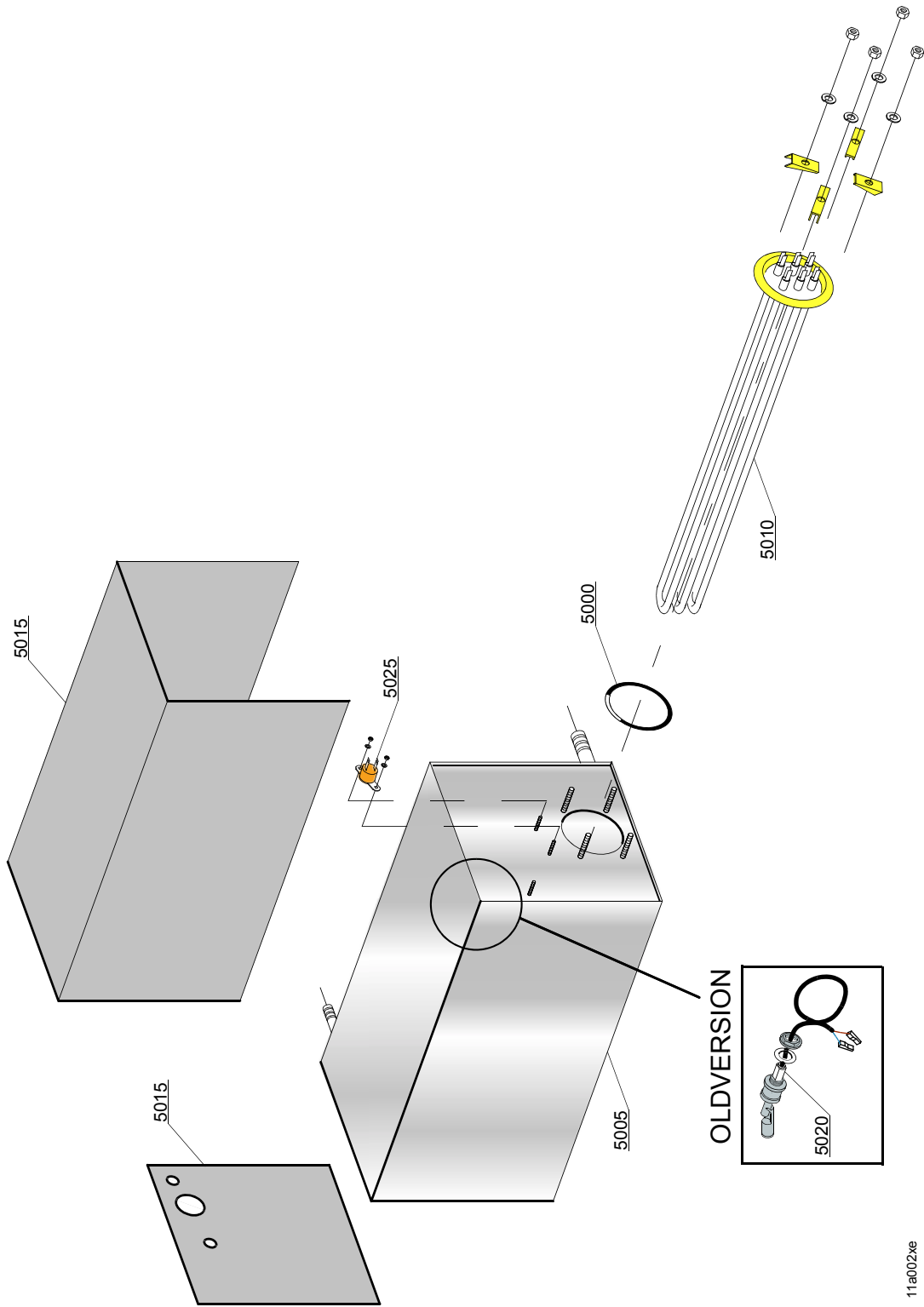
| ID | P-code | SN from | SN to | Mod. | Acces. | Volt | Description |
|--|---------|---------|-------|------|--------|------|----------------------------------|
| Module: Rinse aid dispenser group | | | | | | | |
| 45155 | 10705/M | | - | e,i | | | Spring |
| 45160 | 10705/N | | - | e,i | | | Disc to membrane |
| 45165 | 10705/O | | - | e,i | | | Membrane |
| 45175 | 12506 | | - | e,i | | | Rubber-holder Ø 10mm |
| 45180 | 10705/G | | - | e,i | | | Pipe fitting |
| 45185 | 10705/C | | - | e,i | | | OR-gasket |
| 45190 | 10705/D | | - | e,i | | | Silicone valve |
| 45195 | 10705/C | | - | e,i | | | OR-gasket |
| 45200 | 10705/T | | - | e,i | | | Sphere made of Teflon |
| 45205 | 10705/R | | - | e,i | | | Brass pipe fitting |
| 45210 | 10705/E | | - | e,i | | | OR-gasket Guide valve |
| 45215 | 12525 | | - | e,i | | | Ballast |
| 45220 | 15058 | | - | e,i | | | Small filter (minimum 3 pieces) |
| 45225 | 10799/G | | - | e,i | | | GERMAC rinse aid dispenser |
| 45231 | 540091 | | - | e,i | | | Ø12 mm plastic 3 ways connection |
| 45232 | 11807 | | - | e,i | | | Clamp 12-22 (minimum 3 pieces) |

e=ELECTRONICAL SWITCHES, uw=LOWER AND UPPER WASHING, i=INSULATED MODEL

108EN=108EN

bt=BREAK TANK, bp=BOOSTER PUMP, dvgw=DVGW, cr=COLD RINSE, ws=WATER SOFTNER, dd=DETERGENT DISPENSER, dp=DRAIN PUMP

A=3/N/PE~380-400V 50-60Hz, D=3/PE~200-210V 50-60Hz, F=2/PE~220-240V 50-60Hz, G=3/N/PE~415V 50-60Hz, H=3/PE~220-230V 50-60Hz, K=3/PE~380-400V 50-60Hz, L=3/PE~415V 50-60Hz, M=3/PE~440V 60Hz, P=1/N/PE~220-230V 50-60Hz, R=2/PE~220-240V 50-60Hz, U=1/N/PE~240V 50-60Hz, V=3/PE~240V 50-60Hz, W=1/N/PE~100-110V 50-60Hz



11a002xe

Spare parts

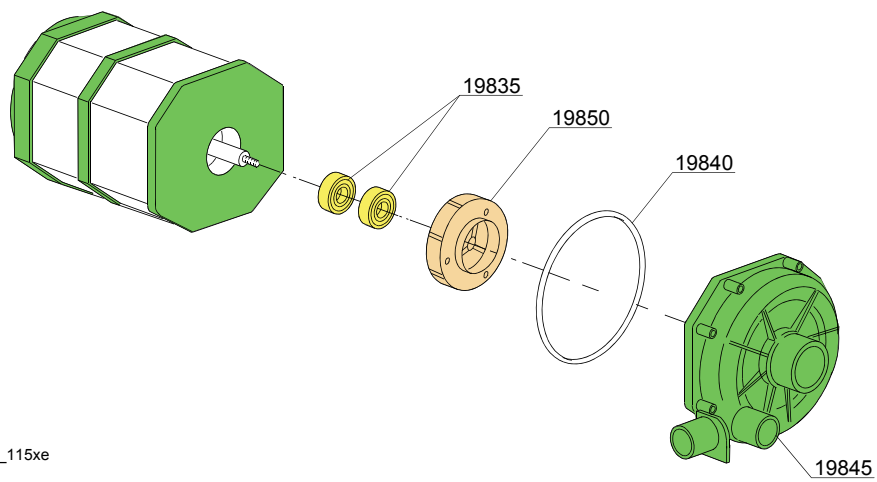
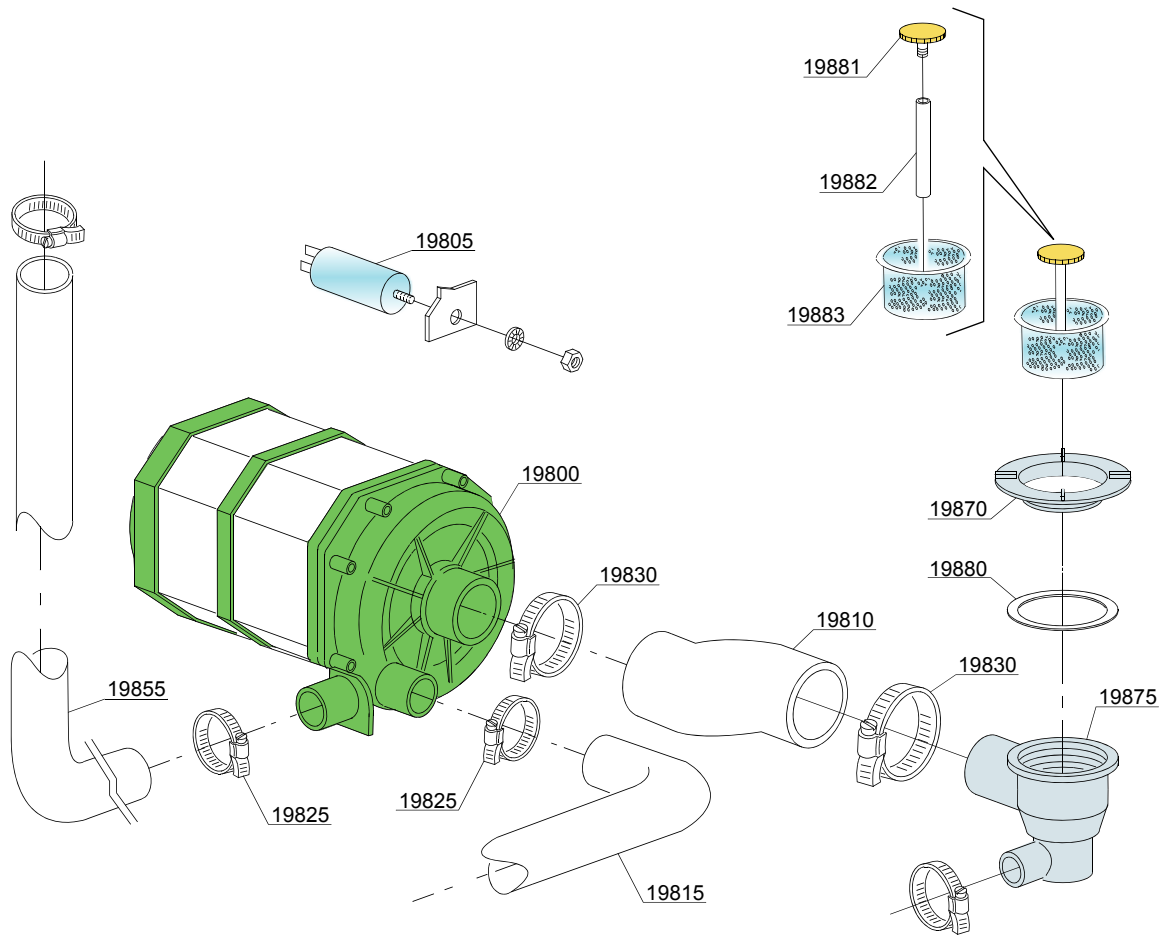
| ID | P-code | SN from | SN to | Mod. | Acces. | Volt | Description |
|----------------------------|---------|---------|-------|------|--------|------|---|
| Module:Boiler group | | | | | | | |
| 5000 | 13015 | | - | e,i | | | 6225 OR 160 NBR O-ring (minimum 5 pieces) |
| 5005 | 561065 | | - | e,i | | | Boiler |
| 5010 | 15089 | | - | e,i | | | 4,5/4,9KW 230/240V 3 heating element |
| 5010 | 15089/B | | - | e,i | | | 4,5KW heating element - 254/440Vac |
| 5010 | 15089/E | | - | e,i | | | 6/6,53KW - 230/240V 3 heating element |
| 5015 | 561063 | | - | e,i | | | Kit insulation boiler |
| 5020 | 540203 | | - | e,i | | | Float Switch |
| 5025 | 15550 | | - | e,i | | | Safety thermostat |

e=ELECTRONICAL SWITCHES, uw=LOWER AND UPPER WASHING, i=INSULATED MODEL

108EN=108EN

bt=BREAK TANK, bp=BOOSTER PUMP, dvgw=DVGW, cr=COLD RINSE, ws=WATER SOFTNER, dd=DETERGENT DISPENSER, dp=DRAIN PUMP

A=3/N/PE~380-400V 50-60Hz, D=3/PE~200-210V 50-60Hz, F=2/PE~220-240V 50-60Hz, G=3/N/PE~415V 50-60Hz, H=3/PE~220-230V 50-60Hz, K=3/PE~380-400V 50-60Hz, L=3/PE~415V 50-60Hz, M=3/PE~440V 60Hz, P=1/N/PE~220-230V 50-60Hz, R=2/PE~220-240V 50-60Hz, U=1/N/PE~240V 50-60Hz, V=3/PE~240V 50-60Hz, W=1/N/PE~100-110V 50-60Hz



13_115xe

Spare parts

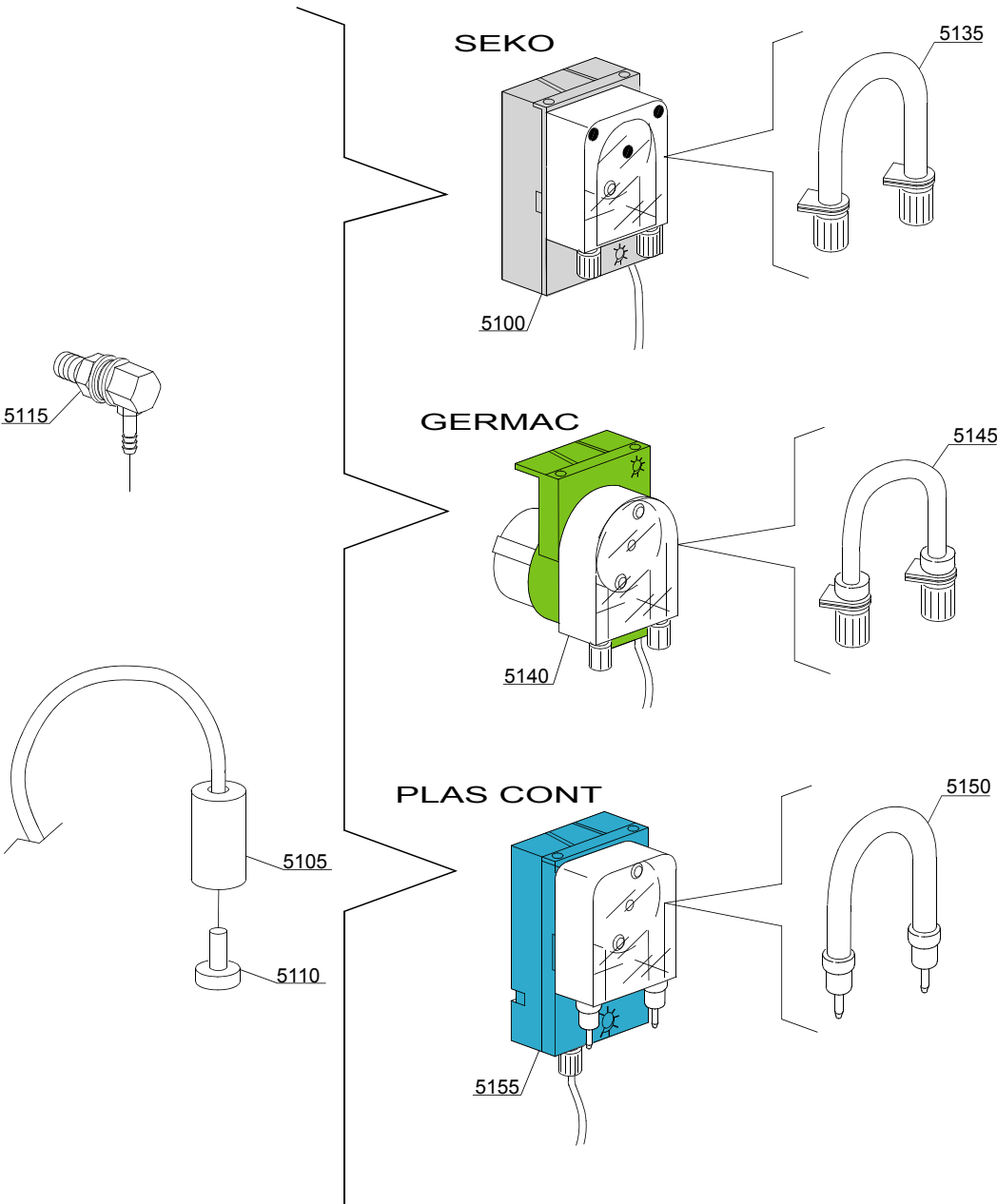
| ID | P-code | SN from | SN to | Mod. | Acces. | Volt | Description |
|--------------------------|---------|---------|-------|------|--------|------|-----------------------------------|
| Module: Wash pump | | | | | | | |
| 19800 | 150914 | | - | uw | | | 0,70Hp wash pump - 230Vac 50Hz |
| 19805 | 15081 | | - | uw | | | 12,5 uF condenser |
| 19810 | 25032/A | | - | uw | | | Suction pipe coupling |
| 19815 | 561017 | | - | uw | | | Low delivery pipe |
| 19825 | 11806 | | - | uw | | | 25/40 clamp (minimum 2 pieces) |
| 19830 | 11809 | | - | uw | | | 30/45 clamp (minimum 2 pieces) |
| 19835 | 15080 | | - | uw | | | Rotating seals |
| 19840 | 7130 | | - | uw | | | OR pump O-ring (minimum 2 pieces) |
| 19845 | 16182 | | - | uw | | | Scroll |
| 19850 | 15079/F | | - | uw | | | Pump rotor |
| 19855 | 561016 | | - | uw | | | Top delivery pipe EPDM |
| 19870 | 540088 | | - | uw | | | Ferrule with filter |
| 19875 | 500605 | | - | uw | | | Left side scrap tray |
| 19880 | 80208 | | - | uw | | | 95x75x3 O-ring (minimum 2 pieces) |
| 19881 | 11101/A | | - | uw | | | M8 inox screw (minimum 20 pieces) |
| 19882 | 540086 | | - | uw | | | Handle suction filter |
| 19883 | 561013 | | - | uw | | | Pump suction filter |

e=ELECTRONICAL SWITCHES, uw=LOWER AND UPPER WASHING, i=INSULATED MODEL

108EN=108EN

bt=BREAK TANK, bp=BOOSTER PUMP, dvgw=DVGW, cr=COLD RINSE, ws=WATER SOFTNER, dd=DETERGENT DISPENSER, dp=DRAIN PUMP

A=3/N/PE~380-400V 50-60Hz, D=3/PE~200-210V 50-60Hz, F=2/PE~220-240V 50-60Hz, G=3/N/PE~415V 50-60Hz, H=3/PE~220-230V 50-60Hz, K=3/PE~380-400V 50-60Hz, L=3/PE~415V 50-60Hz, M=3/PE~440V 60Hz, P=1/N/PE~220-230V 50-60Hz, R=2/PE~220-240V 50-60Hz, U=1/N/PE~240V 50-60Hz, V=3/PE~240V 50-60Hz, W=1/N/PE~100-110V 50-60Hz



14_004pe

Spare parts

| ID | P-code | SN from | SN to | Mod. | Acces. | Volt | Description |
|--------------------------------------|---------|---------|-------|------|--------|------|-----------------------------------|
| Module:Dosing detergent group | | | | | | | |
| 5100 | 15985 | | - | i,e | dd | | Seko detergent pump |
| 5105 | 12525 | | - | i,e | dd | | Ballast |
| 5110 | 15058 | | - | i,e | dd | | Small filter (minimum 3 pieces) |
| 5115 | 15123 | | - | i,e | dd | | Compleat stainless steel injector |
| 5135 | 15185 | | - | i,e | dd | | Seko thermoplastic pipe |
| 5140 | 15985 | | - | i,e | dd | | Germac detergent pump |
| 5145 | 15108/E | | - | i,e | dd | | Germac thermoplastic pipe |
| 5150 | 15985/A | | | i,e | dd | | Plas Cont thermoplastic pipe |
| 5155 | 15985 | | | i,e | dd | | Plas Cont detergent pump |

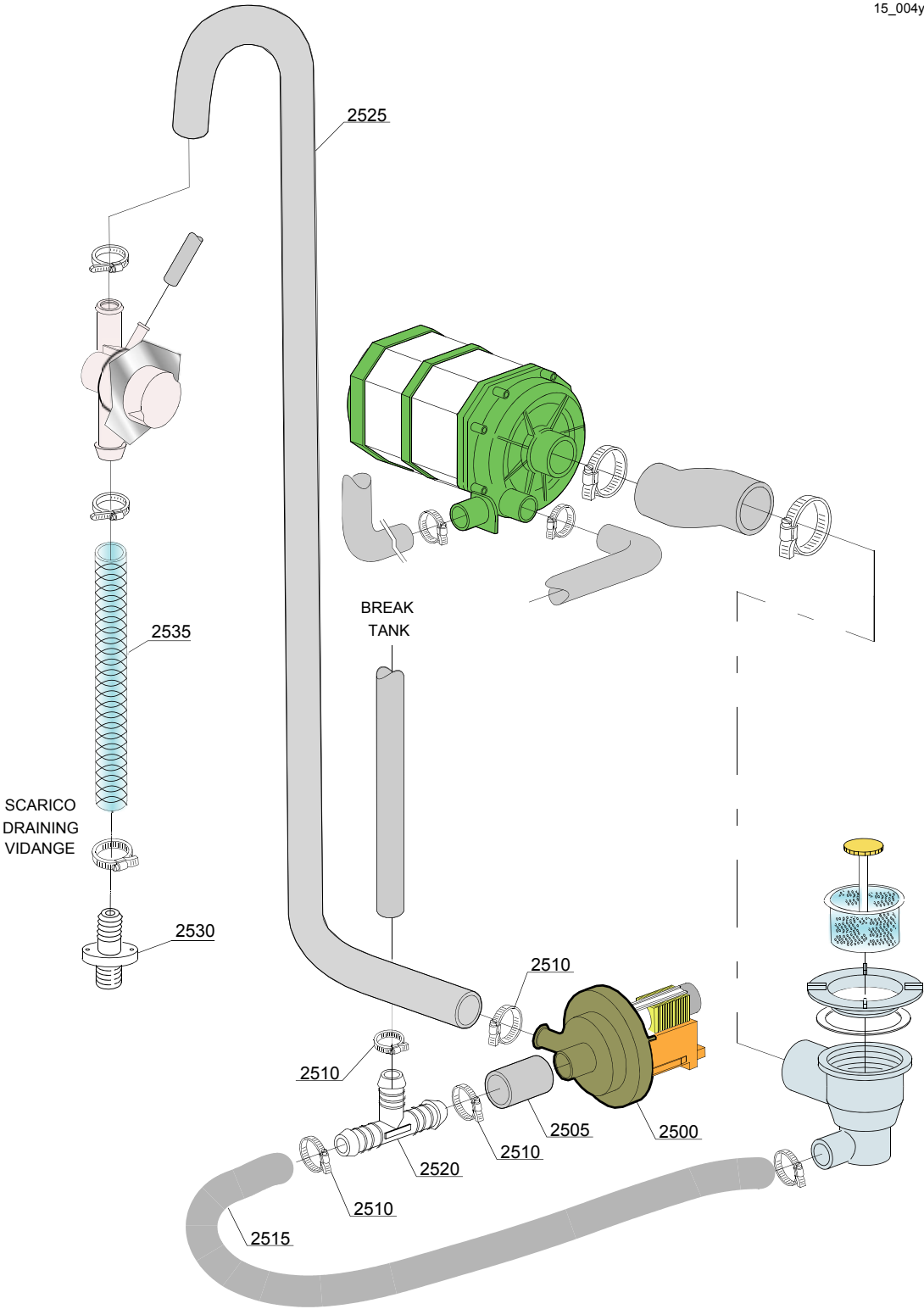
e=ELECTRONICAL SWITCHES, uw=LOWER AND UPPER WASHING, i=INSULATED MODEL

108EN=108EN

bt=BREAK TANK, bp=BOOSTER PUMP, dvgw=DVGW, cr=COLD RINSE, ws=WATER SOFTNER, dd=DETERGENT DISPENSER, dp=DRAIN PUMP

A=3/N/PE~380-400V 50-60Hz, D=3/PE~200-210V 50-60Hz, F=2/PE~220-240V 50-60Hz, G=3/N/PE~415V 50-60Hz, H=3/PE~220-230V 50-60Hz, K=3/PE~380-400V 50-60Hz, L=3/PE~415V 50-60Hz, M=3/PE~440V 60Hz, P=1/N/PE~220-230V 50-60Hz, R=2/PE~220-240V 50-60Hz, U=1/N/PE~240V 50-60Hz, V=3/PE~240V 50-60Hz, W=1/N/PE~100-110V 50-60Hz

15_004ye



Spare parts

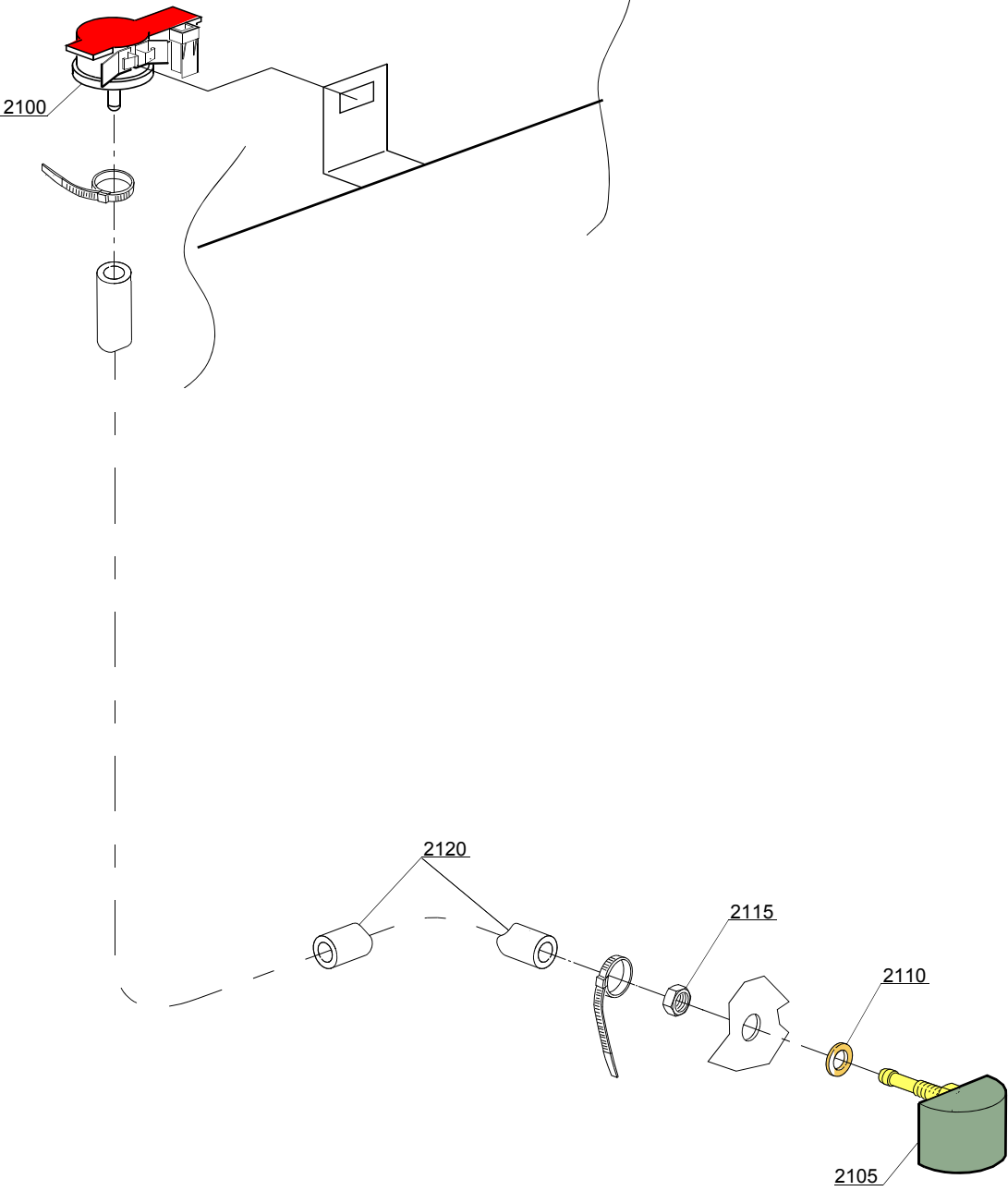
| ID | P-code | SN from | SN to | Mod. | Acces. | Volt | Description |
|---------------------------------|--------|---------|-------|------|--------|------|--------------------------------|
| Module: Drain pump group | | | | | | | |
| 2500 | 15101 | | - | i,e | dp | | Drain pump 220/240V 50Hz |
| 2505 | 18044 | | - | i,e | dp | | Preformed coupling |
| 2510 | 11806 | | - | i,e | dp | | 25/40 clamp (minimum 2 pieces) |
| 2515 | 561067 | | - | i,e | dp | | Preformed coupling |
| 2520 | 540098 | | - | i,e | dp | | 3 ways D25 |
| 2525 | 540206 | | - | i,e | dp | | EPDM drain pipe |
| 2530 | 540207 | | - | i,e | dp,bt | | Discharge pipe |
| 2535 | 14510 | | - | i,e | dp | | Drain pipe Ø26x3 |

e=ELECTRONICAL SWITCHES, uw=LOWER AND UPPER WASHING, i=INSULATED MODEL

108EN=108EN

bt=BREAK TANK, bp=BOOSTER PUMP, dvgw=DVGW, cr=COLD RINSE, ws=WATER SOFTNER, dd=DETERGENT DISPENSER, dp=DRAIN PUMP

A=3/N/PE~380-400V 50-60Hz, D=3/PE~200-210V 50-60Hz, F=2/PE~220-240V 50-60Hz, G=3/N/PE~415V 50-60Hz, H=3/PE~220-230V 50-60Hz, K=3/PE~380-400V 50-60Hz, L=3/PE~415V 50-60Hz, M=3/PE~440V 60Hz, P=1/N/PE~220-230V 50-60Hz, R=2/PE~220-240V 50-60Hz, U=1/N/PE~240V 50-60Hz, V=3/PE~240V 50-60Hz, W=1/N/PE~100-110V 50-60Hz



16_001xe

Spare parts

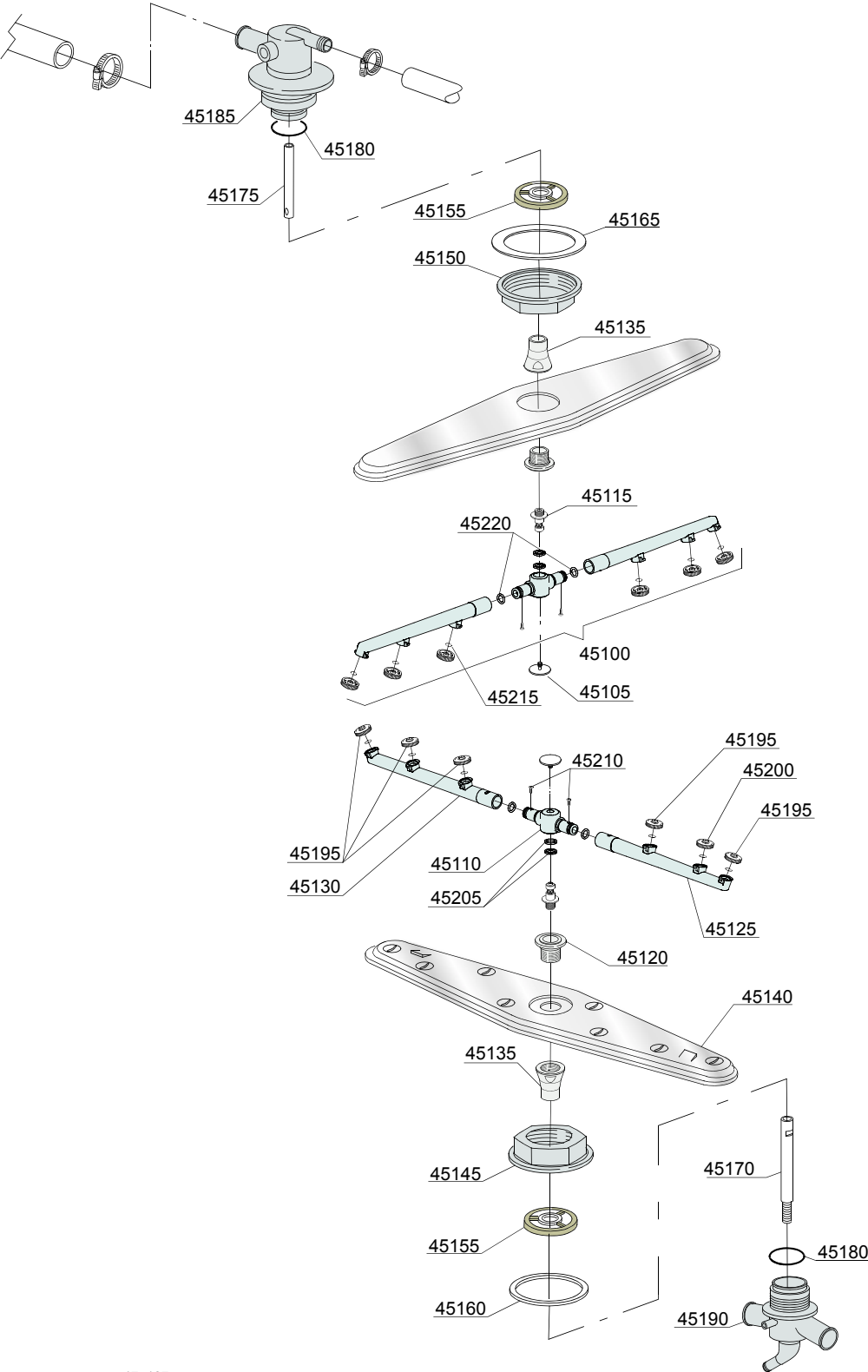
| ID | P-code | SN from | SN to | Mod. | Acces. | Volt | Description |
|---|--------|---------|-------|------|--------|------|--|
| Module:Pressure switch group with air trap | | | | | | | |
| 2100 | 540205 | | - | i,e | | | 0-30 mbar pressure switch |
| 2105 | 561053 | | - | i,e | | | Air trap assembly |
| 2110 | 13301 | | - | i,e | | | O-ring (minimum 10 pieces) - D14x8x1,5 |
| 2115 | 11702 | | - | i,e | | | M8 stainless steel nut (minimum 10 pieces) |
| 2120 | 14509 | | - | i,e | | | 6X9 EPDM rubber hose (minimum 2mt) |

e=ELECTRONICAL SWITCHES, uw=LOWER AND UPPER WASHING, i=INSULATED MODEL

108EN=108EN

bt=BREAK TANK, bp=BOOSTER PUMP, dvgw=DVGW, cr=COLD RINSE, ws=WATER SOFTNER, dd=DETERGENT DISPENSER, dp=DRAIN PUMP

A=3/N/PE~380-400V 50-60Hz, D=3/PE~200-210V 50-60Hz, F=2/PE~220-240V 50-60Hz, G=3/N/PE~415V 50-60Hz, H=3/PE~220-230V 50-60Hz, K=3/PE~380-400V 50-60Hz, L=3/PE~415V 50-60Hz, M=3/PE~440V 60Hz, P=1/N/PE~220-230V 50-60Hz, R=2/PE~220-240V 50-60Hz, U=1/N/PE~240V 50-60Hz, V=3/PE~240V 50-60Hz, W=1/N/PE~100-110V 50-60Hz



17_137xe

Spare parts

| ID | P-code | SN from | SN to | Mod. | Acces. | Volt | Description |
|---|---------|---------|-------|------|--------|------|--|
| Module:Turret group with rotating arms | | | | | | | |
| 45100 | 75920 | | - | uw,e | | | Top/lower rinse arm complete |
| 45105 | 10652 | | - | uw,e | | | Rinse arm screw |
| 45110 | 75920/A | | - | uw,e | | | Rinse arm |
| 45115 | 10651 | | - | uw,e | | | Rinse axle |
| 45120 | 500701 | | - | uw,e | | | Hub for rotor |
| 45125 | 75920/S | | - | uw,e | | | Right rinse arm - stainless steel nozzle |
| 45130 | 75920/D | | - | uw,e | | | Left rinse arm - stainless steel nozzle |
| 45135 | 500702 | | - | uw,e | | | Nut for wash arm bearing 05 |
| 45140 | 500700 | | - | uw,e | | | Stainless steel wash rotor |
| 45145 | 540069 | | - | uw,e | | | Turret fixing nut |
| 45150 | 540093 | | - | uw,e | | | Nut for top turret fixing |
| 45155 | 540076 | | - | uw,e | | | Guide pipe |
| 45165 | 540032 | | - | uw,e | | | Plain O-ring (minimum 2 pieces) |
| 45170 | 561032 | | - | uw,e | | | Upper stainless steel wash rotor rinse axle AP |
| 45175 | 561034 | | - | uw,e | | | Under stainless steel wash rotor rinse axle AP |
| 45180 | 561035 | | - | uw,e | | | AP seal ring |
| 45185 | 561033 | | - | uw,e | | | AP top turret stainless steel wash rotor |
| 45190 | 561031 | | - | uw,e | | | AP under turret stainless steel wash rotor |
| 45195 | 10371 | | - | uw,e | | | Open rinse nozzle |
| 45200 | 10372 | | - | uw,e | | | Closed rinse nozzle |
| 45205 | 75920/B | | - | uw,e | | | O ring for hub (rinse arm) |
| 45210 | 11004 | | - | uw,e | | | 4x10 TCB Ø8 spax toothed screw |
| 45215 | 13002 | | - | uw,e | | | OR R6 NBR O-ring (minimum 10 pieces) |
| 45220 | 13002 | | - | uw,e | | | OR R6 NBR O-ring (minimum 10 pieces) |

e=ELECTRONICAL SWITCHES, uw=LOWER AND UPPER WASHING, i=INSULATED MODEL

108EN=108EN

bt=BREAK TANK, bp=BOOSTER PUMP, dvgw=DVGW, cr=COLD RINSE, ws=WATER SOFTNER, dd=DETERGENT DISPENSER, dp=DRAIN PUMP

A=3/N/PE~380-400V 50-60Hz, D=3/PE~200-210V 50-60Hz, F=2/PE~220-240V 50-60Hz, G=3/N/PE~415V 50-60Hz, H=3/PE~220-230V 50-60Hz, K=3/PE~380-400V 50-60Hz, L=3/PE~415V 50-60Hz, M=3/PE~440V 60Hz, P=1/N/PE~220-230V 50-60Hz, R=2/PE~220-240V 50-60Hz, U=1/N/PE~240V 50-60Hz, V=3/PE~240V 50-60Hz, W=1/N/PE~100-110V 50-60Hz