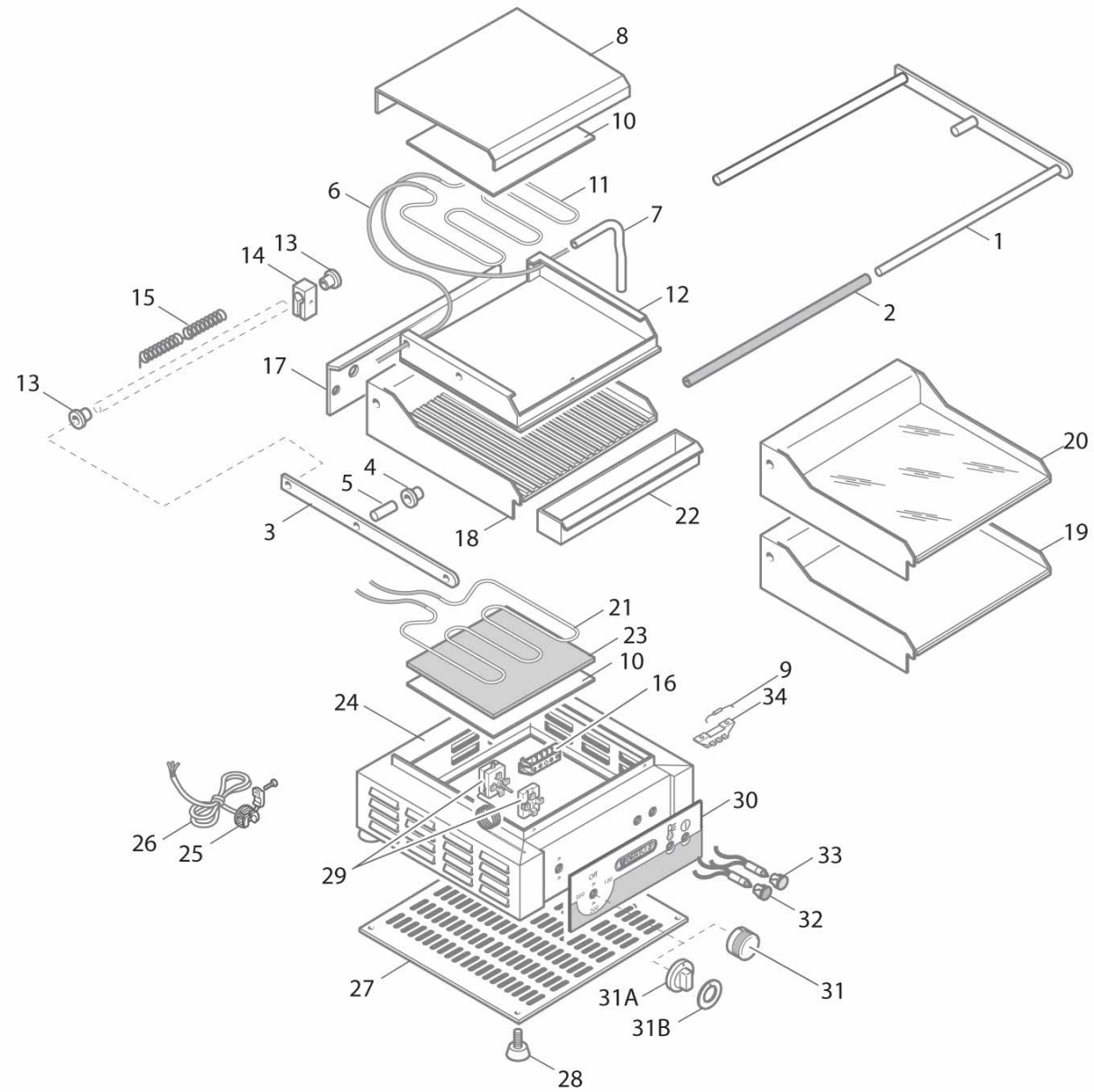




PSM/ST





PSM/ST

Pos. Item	Codice Code	Descrizione	Item Description	Designation articles	Artikelbeschreibung	Decripción articulos	N° pezzi - No. pieces				
											PSM/ST
1	30876100	Ass. maniglia dx ps	Handle assembly rh ps	Poignee complete droite ps	Kompletter griff ps	Conjunto asa dcha. ps					1
2	30875300	Manico moplen rosso ps	Red moplen pin ps	Ma. moplen rouge ps	Roter moplen griff ps	Asa moplen roja ps					1
3	30875700	Manico laterale ps/pm/pd zn	La. handle ps/pm/pd zn	Ma. latÉral ps/pm/pd zn	Seit. griff ps/pm/pd zn	Asa la. ps/pm/pd zn					1
4	30779900	Boccola zincata x piastre st/sx/vtr	Galvanised bushing	Douville galvanisÉe	Verzinkte buchse	Boquilla cincada					1
5	30908100	Perno laterale per piastra zn	Lateral pin	Pivot latÉral	Seitlicher bolzen	Perno lateral					1
6	30193400	Tu. vetrotex d.5 l.250 mm	Glass tube	Tube verre	Isolierend kleines rohr fuer	Tubo vidrio					2
7	30810100	Curvetta passafili dx ps/pm/pd	Rh angle conduit	Co. de protection cÂbles droite	R.gebogenes stÜck draht.	Codo para cables derecho					1
8	30804600	Coperchio ps/pd st/vtr	Lid ps/pd st.	Cou. ps/pd st/vtr	De. ps/pd st/vtr	Tapa ps/pd st.					1
9	30978100	Termofusibile 152°c - 15a	Thermofuse 152°c - 15a	Thermofusible 152°c - 15a	Thermoschmelzdraht 152°c - 15a	Termofusibile 152°c - 15a					1
10	30868800	Lastra protez. ferro piccola	Single protective sheet	Plaque de protection simple	Einzelne schutzplatte	Placa de proteccion individual					2
11	30022500	Res.compl.700w-230v ps/pd	Resistance complete 700w-230v	Resistance complete 700w-230v	Obere heiz. 700w 230 v	Resistencia completa 700w-230v					1
12	30910100	Ass. piastra superiore rigata	Upper ri. plate	Pl. rainurÉe supÉrieure	Ger. obere platte	Placa sup. estriada					1
13	30780200	Bo. zn con cava ps/pm/pd sx/st/vtr	Bushing with cavity	Douille creuse	Buchse mit nut	Boquilla ranurada					1
14	30779100	Blocco frizione ps/pm/pd st-vtr	Clutch blockage ps/pm/pd st-vtr	Blocage friction ps/pm/pd st-vtr	Blockung fuer kupplung	Bloqueo friccion					1
15	30613100	Molla pd/vtr	Spring pd/vtr	Ressort pd/vtr	Feder pd/vtr	Muelle pd/vtr					1
16	30183800	Morsettiera a 3 poli fv 110 b	Terminal board 3 poles	Bornier 3 poles	Klemmenleiste	Bornera 3 polos					1
17	30789900	Carter psr-psl/st	Rear ca. psr-psl/st	Ca. arriÈre psr-psl/st	Hin. gehÄuse psr-psl/st	Ca. posterior psr-psl/st					1
18	30909400	Ass. piastra inferiore psr/st	Ri. lower plate psr/st	Pl. infÉrieure rainurÉe psr/st	Ger. untere platte psr/st	Placa inf. estriada psr/st					-
19	30909500	Ass. piastra inferiore psl/st	Sm. lower plate psl/st	Pl. infÉrieure lisse psl/st	Gl. untere platte psl/st	Placa inferior lisa psl/st					1
20	30909510	Ass. piastra inf.psl/sx lucid.	Smooth lower plate psl/sx	Plaque inferieure lisse psl/sx	Glatte untere platte psl/sx	Placa inferior lisa psl/sx					1
21	30023500	Res.inf.comp.1000w-230v ps/p	Resistance complete 1000w-230v	Resistance 1000w-230v ps/p	Un. heizkoerper 1000 w 230v	Resistencia 1000w-230v ps/p					1
22	30791800	Ass.cassetto raccogliisughi ps	Drip tray ps	Bac recueille-sauces ps	Sossen-auffangschale ps	Ass. cassetto raccogliisughi ps					1
23	30921800	Qua. isomart ps/pd-pm/vtr 210x170x4	Isomart panel 210x170x4	Tableau isomart 210x170x4	Isoli. trenner 210x170x4	Panel isomart 210x170x4					1
24	30863600	ass. involucro base ps/ld-st-	Base enc. ps/ld-st-	Couv. base ps/ld-st-	HÜlle basis p. ps/ld-st-	Envh. base ps/ld-st-					1
25	30185400	Passacavo pa 277 i.m.q.	Cable guide	Passe-cÂble	KabelfÜhrung	Aislador pasapanel					1
26	30192400	Cavo 3x1.5 ps/pm	Power su. cable 3 x 1,5mm	Cable d'alim. 3 x 1,5mm	Versorg. 3 x 1,5mm	Cable de alime. 3x1,5 mm.					1
27	30837900	Fondo ps/ld-st-sx	Bo. ps/ld-st-sx	Fond ps/ld-st-sx	Fuß ps/ld-st-sx	Fondo ps/ld-st-sx	fondo ps/ld-st-sx				1
28	30684100	Piedi. d.30xm8condado basso h.6mm	Foot h.6mm	Pied h.6mm	Fuss h.6mm	Pata h.6mm					4
29	30064600	Termostato 270°c. + commutatore	270°c thermostat + cycle selector	Ther. 270°c + commutateur de cycle	Ther. 270°c + umschalter zyklus	Termostato 270°c + conmutador					1
30	30899700	Pannello piastra sing. bertos	Berto's adhesive panel	Panneau adhÉsif berto's	Haftendes paneel berto's	Panel adhesivo berto's					1
31B	31953500	Serig.rossa manop.frytop/forno	Knob serigraphy	Serigraphie manette	Drehknopfserigraphie	Serigrafia mando					-
31	35876200	Manopola rossa p. 6x4.6 a o°	Red knob 6x4.6 o° c	Manette rouge 6x4.6 o° c	Drehknopf 6x4.6 o° c	Mando rojo 6x4.6 o° c					1
31	35877200	Man. rossa p. 6x4.6 a o° ral3000	Red knob p. 6x4.6 a o° ral3000	Ma. rouge p. 6x4.6 a o° ral3000	Drehknopf p. 6x4.6 a o° ral3000	Mando rojo p. 6x4.6 a o° ral3000					1
32	30168500	Spia arancio 230v d.10mmt150Ø	Orange lamp 230v	Temoin lumineux orange 230v	Orange kontrollampe 230v	Piloto naranja 230v					1
33	30168800	Spia verde 230v d.10mmt150Ø	Green lamp 230v	Temoin lumineux vert 230v	Grune kontrollampe 230v	Piloto verde 230v					1
34	30184800	Morsettiera laterale fv 77/3	Lateral terminal board fv 77/3	Bornier latÉral fv 77/3	Sei. klemmenleiste fv 77/3	Bornera lateral fv 77/3					1