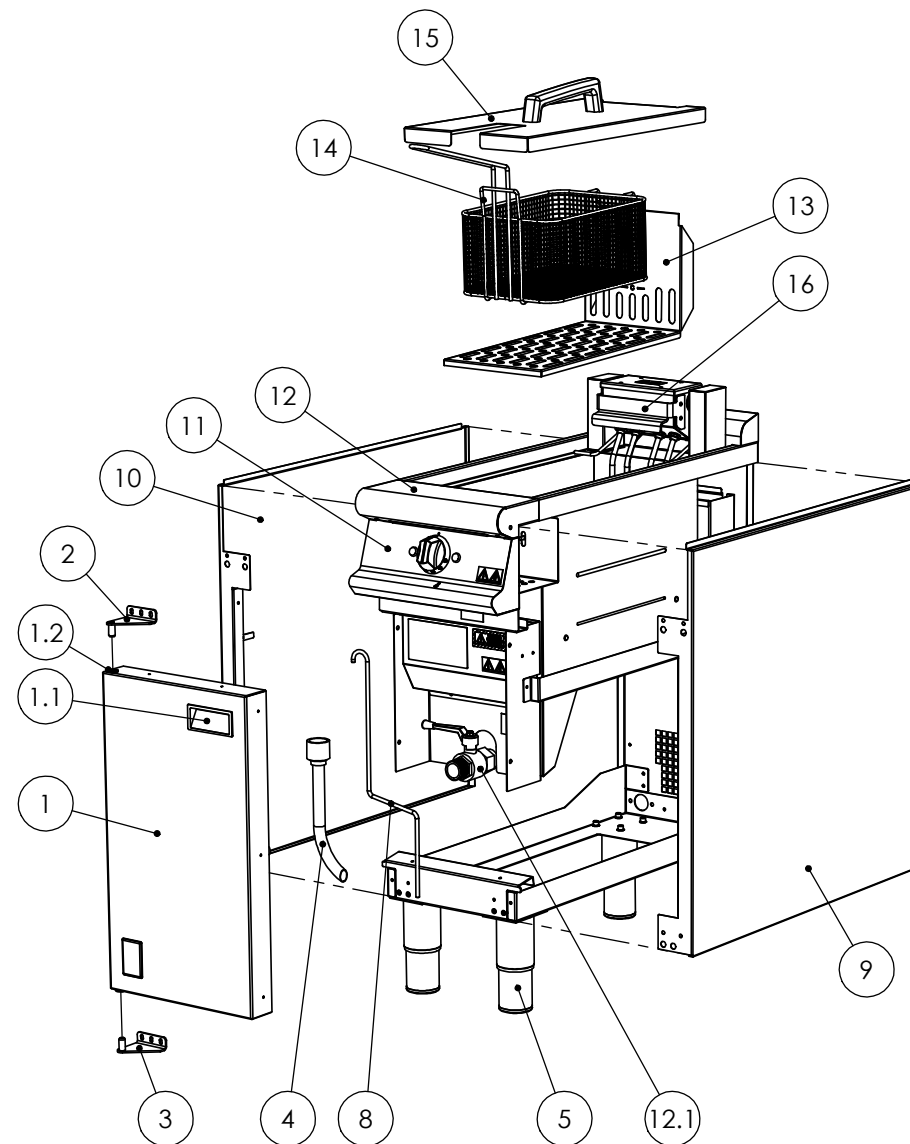


DOMINATOR PLUS

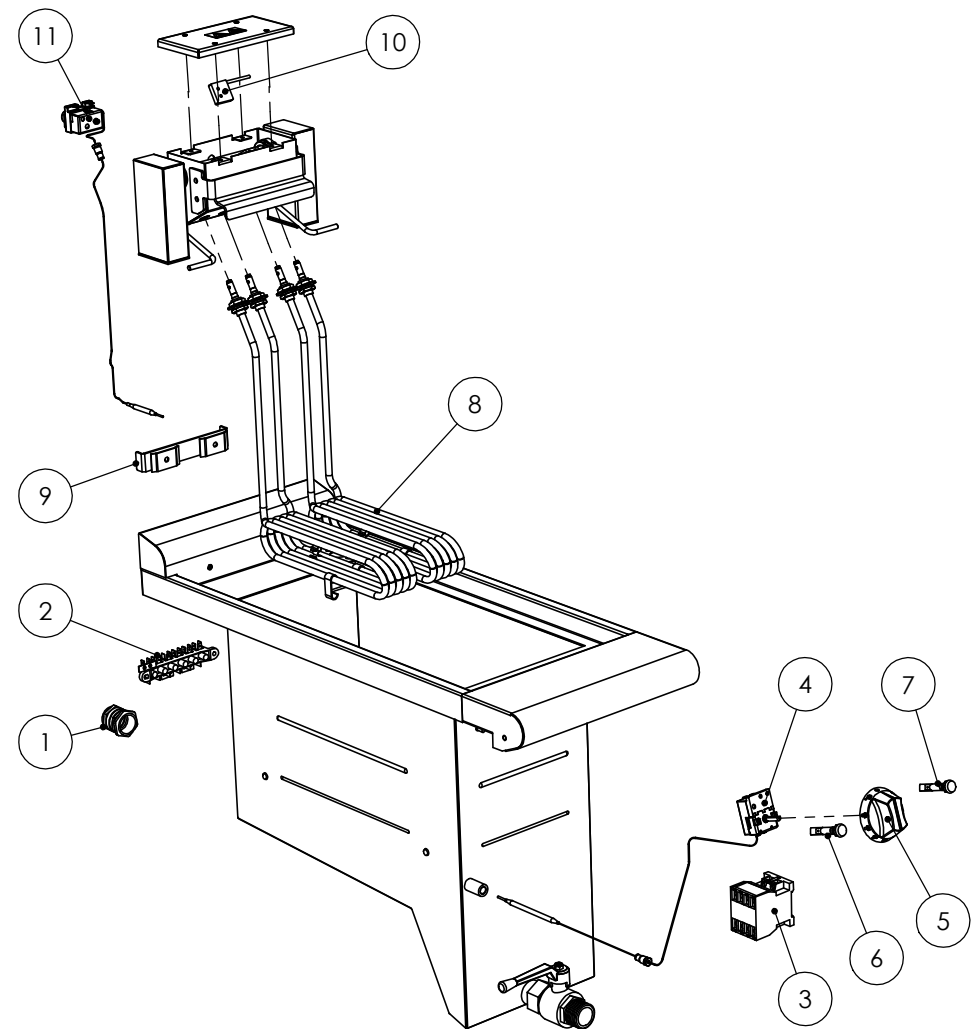
ITEM		DESCRIPTION	SPARES No
1		DOOR ASSEMBLY	731320100
	1.1	DOOR HANDLE	736010020
	1.2	DOOR HINGE BUSH (x2)	536060036
2		DOOR HINGE - TOP	535200006
3		DOOR HINGE - BOTTOM	535200007
4		DRAIN TUBE ASSEMBLY	535710015
5		ADJUSTABLE FOOT	535290028
6		CASTOR - BRAKED (x2) - NOT SHOWN	536430110
7		CASTOR - FIXED (x2) - NOT SHOWN	536470013
8		DRAIN PROD / LIFTING TOOL	731350012
9		OUTER SIDE PANEL - RH	535670004
10		OUTER SIDE PANEL - LH	535670005
11		CONTROL PANEL	731320101
12		HOB/PAN ASSEMBLY C/W DRAIN VALVE	731320102
	12.1	DRAIN VALVE ASSEMBLY	535670008
13		ELEMENT GUARD	731320103
14		BASKET	531302010
15		DUST COVER	731320104
16		BASKET HANGER	731320105



Issue	Alteration	Date	Product	Document Reference
A	Initial Issue	09/08/11	E3830	AD49200

DOMINATOR PLUS

ITEM	DESCRIPTION	SPARES No
1	MAINS CABLE GLAND C/W NUT	731350026
2	MAINS TERMINAL BLOCK	731000006
3	CONTACTOR	734520200
4	OPERATING THERMOSTAT	731320106
5	CONTROL KNOB	731320107
6	RED NEON	735010370
7	AMBER NEON	735010380
8	ELEMENT C/W GASKETS	731320108
8.1	ELEMENT SET C/W GASKETS (2 OFF)	731320109
9	ELEMENT CLAMP ASSEMBLY	731320110
10	TILT SWITCH	735750014
11	SAFETY STAT C/W FITTINGS	731320111
12	WIRING LOOM (NOT SHOWN)	731320112



Issue	Alteration	Date	Product	Document Reference
A	Initial Issue	09/08/11	E3830	AD49201