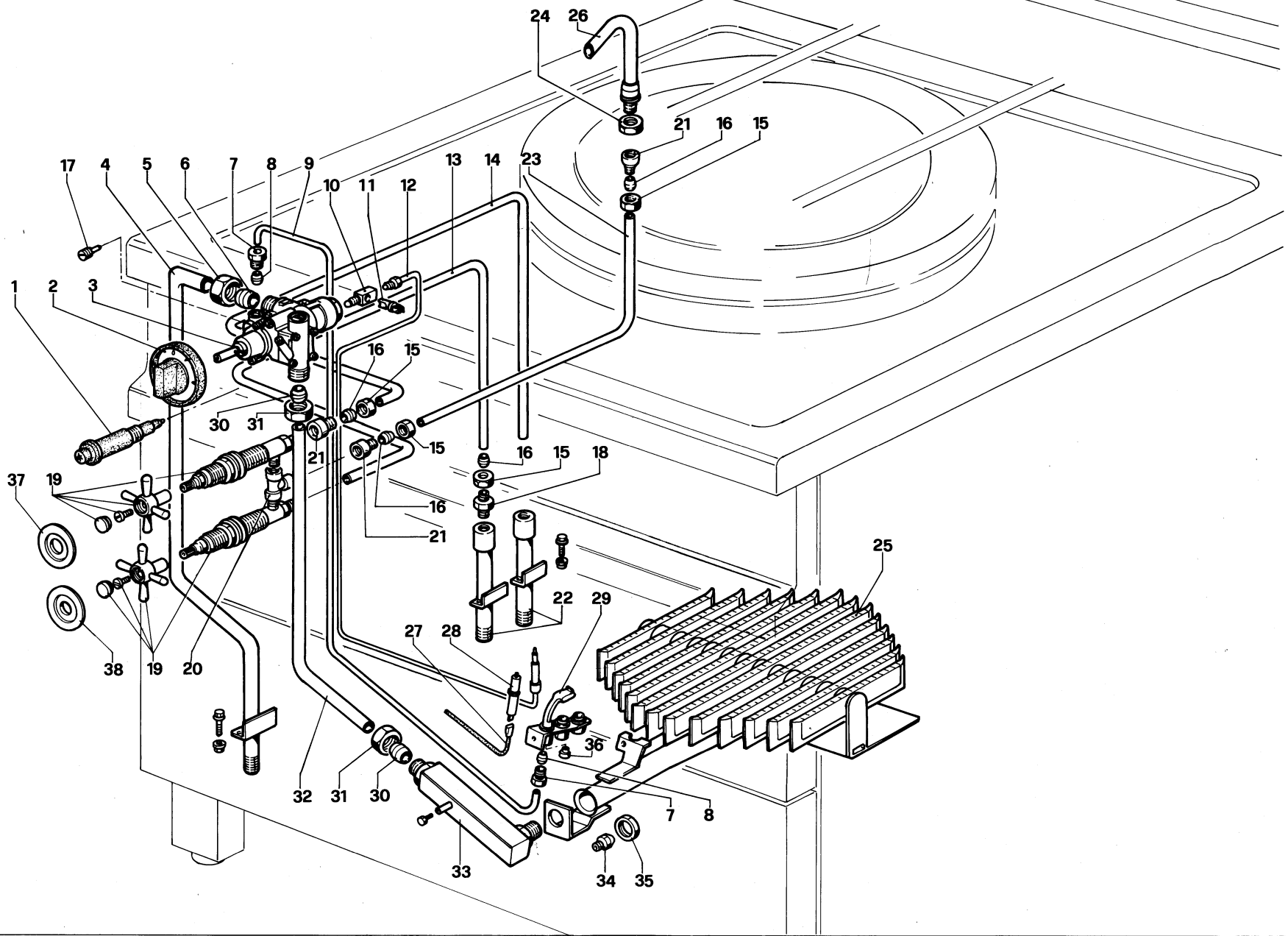


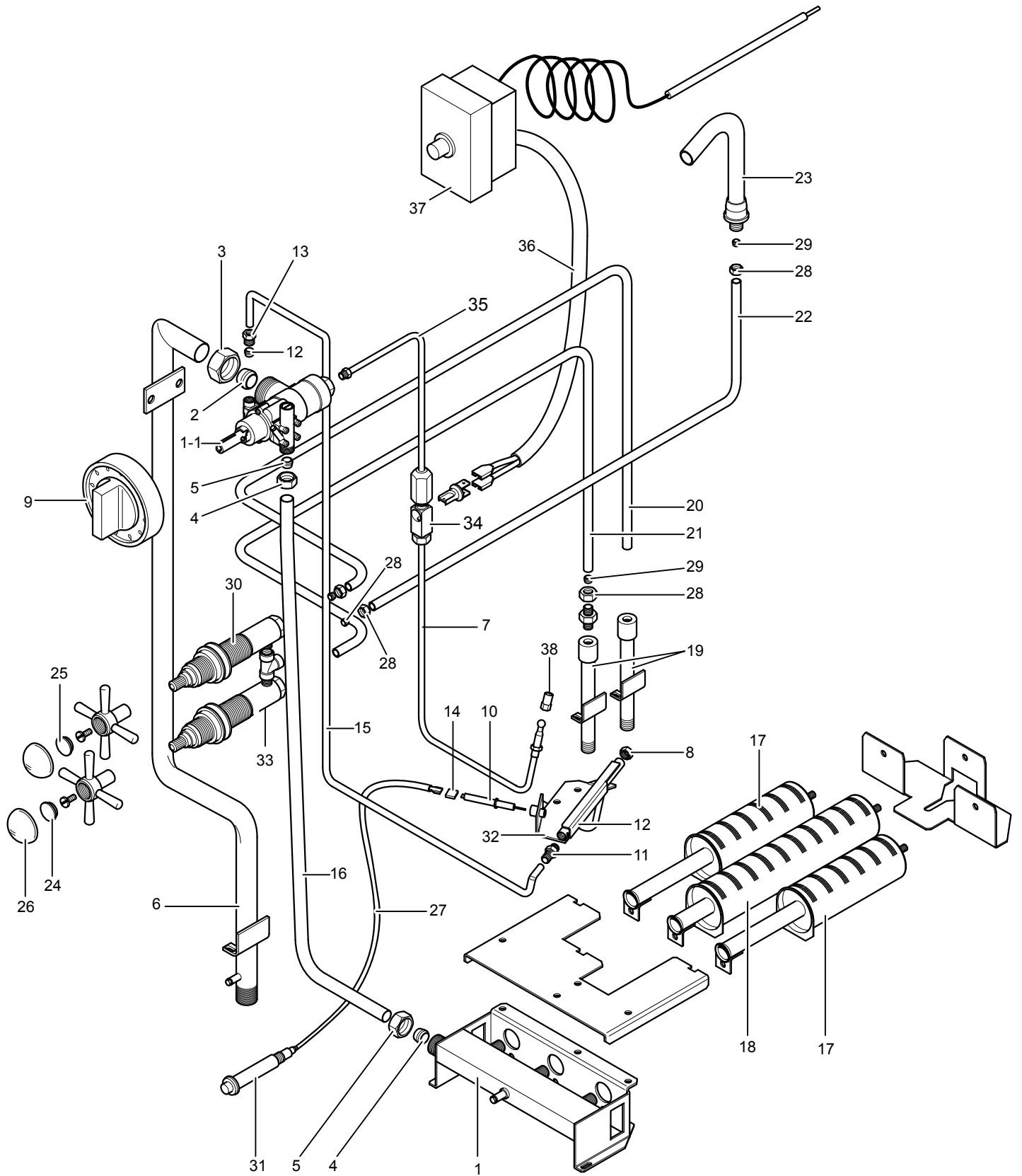
TAV 40

G150A

				G150A		
MAGISTRA TAV. 40	1	PACP800039	PORTINA G100	PORTE G100	DOOR G100	UNTERE TÜR
MAGISTRA TAV. 40	1	PACP800001	PORTINA G150	PORTE G150	DOOR G150	UNTERE TÜR
MAGISTRA TAV. 40	2	RZBF800020	MANIGLIA	POIGNÉE	HANDLE	HANDGRIFF
MAGISTRA TAV. 40	3	PACP800047	CONTOPORTA G100	CONTRE PORTE G100	COUNTER DOOR G100	GEGENTÜR
MAGISTRA TAV. 40	3	PACP800048	CONTOPORTA G150	CONTRE PORTE G150	COUNTER DOOR G150	GEGENTÜR
MAGISTRA TAV. 40	4	RTBF900054	VISORE	DOUILLE	SPY-HOLE	MONITOR
MAGISTRA TAV. 40	5	RTCP900004	RUBINETTO SCARICO 2"	ROBINET DE DECHARGER 2"	DISCHARGE TAP 2"	ABLAßHAHN 2"
MAGISTRA TAV. 40	5	RTCP800063	RUBINETTO SCARICO 2" DIN	ROBINET DE DECHARGER 2" DIN	DISCHARGE TAP 2" DIN	ABLAßHAHN 2" DIN
MAGISTRA TAV. 40	6	RTCP900025	GUARNIZIONE RUBINETTO	GUARNITURE	GASKET	HAHNDICHTUNG
MAGISTRA TAV. 40	7	RTCP900018	BORCHIA PER RUBINETTO	CLOU	BOSS	HAHNAUFLAGE
MAGISTRA TAV. 40	8	PACP800042	FACCIATA G100	PANNEAU ANTÉRIEURE G100	FRONT PANEL G100	AUSSENVORDERWAND
MAGISTRA TAV. 40	8	PACP800002	FACCIATA G150	PANNEAU ANTÉRIEURE G150	FRONT PANEL G150	AUSSENVORDERWAND
MAGISTRA TAV. 40	9	PACP800036	CONTROFACCIATO G100	CONTRE PANNEAU ANTÉRIEURE G100	COUNTER FRONT PANEL G100	GEGENFORDERWAND
MAGISTRA TAV. 40	9	PACP800003	CONTROFACCIATO G150	CONTRE PANNEAU ANTÉRIEURE G150	COUNTER FRONT PANEL G150	GEGENFORDERWAND
MAGISTRA TAV. 40	10	TRCP800002	NIPLES G2"	NIPLES G2"	NIPLES G2"	NIPPEL G2"
MAGISTRA TAV. 40	10	RTCP800057	NIPLES G2" DIN	NIPLES G2" DIN	NIPLES G2" DIN	NIPPEL G2" DIN
MAGISTRA TAV. 40	11	GACP800005	CRUSCOTTO	PANNEAU DE CONTRÔLE	CONTROL PANEL	STIRNBRETT
MAGISTRA TAV. 40	12	PACU800008	FIANCO SINISTRO	CÔTÉ GAUCHE	LEFT SIDE	LINKE SEITE
MAGISTRA TAV. 40	13	PACP800004	CONTROFIANCO	CONTRE CÔTÉ	COUNTER SIDE	GEGENSEITE
MAGISTRA TAV. 40	14	PACP800031	COPRILANA SINISTRO G100	PANNEAU COUVRE ISOLANT G100	COVER INSULATING PANEL G100	ISOLIERMATERIALVERKLEIDUNG G100
MAGISTRA TAV. 40	14	PACP800032	COPRILANA SINISTRO G150	PANNEAU COUVRE ISOLANT G150	COVER INSULATING PANEL G150	ISOLIERMATERIALVERKLEIDUNG G150
MAGISTRA TAV. 40	14	PACP800030	COPRILANA DESTRO G100	PANNEAU COUVRE ISOLANT DROIT G100	RIGHT COVER INSULATING PANEL G100	ISOLIERMATERIALVERKLEIDUNG G100
MAGISTRA TAV. 40	14	PACP800033	COPRILANA DESTRO G150	PANNEAU COUVRE ISOLANT DROIT G150	RIGHT COVER INSULATING PANEL G150	ISOLIERMATERIALVERKLEIDUNG G150
MAGISTRA TAV. 40	15	MPLAN40N00	PANNELLO ISOLANT	PANNEAU ISOLANT	INSULATING PANEL	ISOLERTAFEL
MAGISTRA TAV. 40	16	RTCP800009	COPERCHIO PENTOLA	COUVERCLE	COVER	TOPFDECKEL
MAGISTRA TAV. 40	17	RTCP800031	MANIGLIA COPERCHIO	POIGNÉE CUVERCLE	COVER HANDLE	DECKELGRIFF
MAGISTRA TAV. 40	18	RTCP900086	GUARNIZIONE COPERCHIO AUTOCLAVE	GUARNITURE COUVERCLE AUTOMATIQUE	AUTOMATIC COVER GASKET	DECKELDICHTUNG
MAGISTRA TAV. 40	19	RTCP900010	COPERCHIO AUTOCLAVE	COUVERCLE AUTOCLAVE	AUTOCLAVE COVER	AUTOKLAVDECKEL
MAGISTRA TAV. 40	20	RTCP900014	VALVOLA COPERCHIO	SOUPAPE COUVERCLE	COVER VALVE	SICHERHEITSVENTIL
MAGISTRA TAV. 40	21	RTCP800056	TIRANTE COPERCHIO	BARRE DE JOINTURE DE COUVERCLE	COVER STAY ROD	AUTOKLAV-ANZUGSTANGE
MAGISTRA TAV. 40	22	RTCP800025	GRUPPO CERNIERA COPERCHIO	CHARNIÈRE COUVERCLE	COVER HINGE	ABDECHUNGSSCHARNIER
MAGISTRA TAV. 40	23	RTCP800029	TERMINALE CERNIERA SINISTRO	TERMINAL DE LA CHARNIÈRE GAUCHE	LEFT HINGE TERMINAL	LINKER ENDVERSCHLUß
MAGISTRA TAV. 40	24	RTCP800027	GUIDA MOLLA CERNIERA	GUIDE RESSORT CHARNIÈRE	GUIDE FOR HINGE SPRING	TÜRFEDERFÜHRUNG
MAGISTRA TAV. 40	25	RTCP800026	MOLLA COPERCHIO PENTOLA	RESSORT COUVERCLE MARMITE	SPRING FOR PAN COVER	SCHARNIERFEDER
MAGISTRA TAV. 40	26	GACU800014	GRIGLIA CAMINETTO	GRILLE CHEMINÉE	CHIMNEY GRATE	SCHORNSTEINROST
MAGISTRA TAV. 40	27	MP15000007	PANNELLO ISOLANT	PANNEAU ISOLANT	INSULATING PANEL	ISOLIERTAFEL
MAGISTRA TAV. 40	28	PACP800023	FONDELLO SUPERIORE CAMINETTO	PANNEAU DERRIÈRE DE LA CHEMINÉE	UPPER CHIMNEY BOTTOM	SCHORNSTEINBODENSCHIBE
MAGISTRA TAV. 40	29	PACP800007	CAMINETTO INTERNO	CHEMINÉE INTÉRIEURE	INTERNAL CHIMNEY	INNENSCHORNSTEIN
MAGISTRA TAV. 40	30	PACP800005	CAMINETTO ESTERNO	CHEMINÉE EXTÉRIEURE	EXTERNAL CHIMNEY	AUSSENSCHORNSTEIN
MAGISTRA TAV. 40	31	PACU800019	POSTERIORE INOX	PANNEAU POSTÉRIEURE	BACK PANEL	INOX-RÜCKWAND
MAGISTRA TAV. 40	32	PACP800019	DEVIATORE FUMI	AIGUILLEUR DES FUMÉES	THROTTLE	RAUCHABWEISER
MAGISTRA TAV. 40	33	GACP800001	TELAIO RINFORZO	RAIDISSEMENT COUVERCLE	COVER REINFORCEMENT	VERSTÄRKUNGSRAHMEN
MAGISTRA TAV. 40	34	PACP800046	PROTEZIONE ANTERIORE BRUCIATORE	PROTECTION ANTÉRIEURE BRÛLEUR	BURNER FRONT PROTECTION	BRENNERSCHUTZ

MAGISTRA TAV. 40	35	RTCP800047	CERNIERA PORTINA	CHARNIÈRE PORTE	DOOR HINGE	TÜRANGEL
MAGISTRA TAV. 40	36	PACP800044	ATTACCO CERNIERA PORTINA	ATTAQUE CHARNIÈRE PORTE	CONNECTION FOR DOOR HINGE	TÜRANGELSCHLUß
MAGISTRA TAV. 40	37	GACU800001	BASAMENTO	SOUBASSEMENT	BASE	STIRNBRETT
MAGISTRA TAV. 40	38	PACP800028	PIANO INFERIORE G100	PLAN INFÉRIEURE G100	LOWER PLANE G100	UNTERE EBENE
MAGISTRA TAV. 40	39	PACU800009	FIANCO DESTRO	CÔTÉ DROITE	RIGHT SIDE	RECHTE SEITE
MAGISTRA TAV. 40	40	RTTAV00006	SUPPORTO REGOLATORE	SUPPORT REGULATEUR	REGULATOR SUPPORT	REGLERHALTERUNG
MAGISTRA TAV. 40	41	GACU800122	PIEDINO INOX	PIED	FOOT	INOX.FUß
MAGISTRA TAV. 40	42	RTCU800022	REGOLATORE PIEDINO	REGULATEUR DU PIED	FOOT REGULATOR	FUßREGLER
MAGISTRA TAV. 40	43	RTCP800030	TERMINALE DESTRO CERNIERA	TERMINAL DROIT CHARNIÈRE	RIGHT HINGE TERMINAL	RECHTER ENDVERSCHLUß
MAGISTRA TAV. 40	44	GACP800007	RECIPIENTE PENTOLA G100	RÉCIPIENT G100	BOWL G100	TOPFBEHÄLTER
MAGISTRA TAV. 40	44	GACP800006	RECIPIENTE PENTOLA G150	RÉCIPIENT G150	BOWL G150	TOPFBEHÄLTER
MAGISTRA TAV. 40	45	RTCP800028	REGOLATORE MOLLA	REGULATEUR DE LA RESSORT	SPRING REGULATOR	FEDERREGLER





TAV 40-41
 G100-G150

TAVOLA 40-41	POS.	CODICE	ITALIANO
PENTOLA G100-G150	1	GACP800066	AS. SUP. INIETTORE
PENTOLA G100-G150	1-1	168007	RUB.VALVOLATO
PENTOLA G100-G150	2	RTCP800020	BICONO RUB. D20
PENTOLA G100-G150	3	RTCP800021	CALOTTA RUB. D20
PENTOLA G100-G150	4	RTCP800022	CALOTTA RUB. D16
PENTOLA G100-G150	5	RTCP800023	BICONO RUB. D16
PENTOLA G100-G150	6	RTCP800070	AS. RAMPA ZINC.
PENTOLA G100-G150	7	RTCU700374	TERMOCOPPIA
PENTOLA G100-G150	8	RTCU700467	INIETTORE D.1
PENTOLA G100-G150	9	RTCU800014	MANOPOLA RUB. VALV. NERO
PENTOLA G100-G150	10	RTCU900010	CAND. ROT.
PENTOLA G100-G150	11	RTCU800339	CALOTTA D.6 PIL.
PENTOLA G100-G150	12	RTCU900018	BICONO D.6
PENTOLA G100-G150	13	RTCU900019	CALOTTA D.6
PENTOLA G100-G150	14	RTCU900215	RACCORDO CAND. PIL. ST.
PENTOLA G100-G150	15	PACP800209	TUBO AL. BRUCIATORE
PENTOLA G100-G150	16	PACP800212	TU.AL.BRUC. GT 99
PENTOLA G100-G150	17	RTCU800334	BRUCIATORE. LATERALE
PENTOLA G100-G150	18	RTCU800335	BRUCIATORE. CENTRALE
PENTOLA G100-G150	19	GABF800035	AS. ATTACCO ACQUA
PENTOLA G100-G150	20	PACP800011	TU. AL. RUBINETTO ACQUA FREDDA
PENTOLA G100-G150	21	PACP800012	TU. AL. RUBINETTO ACQUA CALDA
PENTOLA G100-G150	22	PACP800024	TU. AL. EROG. ACQUA
PENTOLA G100-G150	23	RTCP800024	EROGATORE ACQUA
PENTOLA G100-G150	24	RTCP800149	BORCHIA "ROSSA"
PENTOLA G100-G150	25	RTCP800148	BORCHIA "BLU"
PENTOLA G100-G150	26	RTCP800188	CAPPUCCIO RUBINETTO
PENTOLA G100-G150	27	RTCP800201	CAVO ACCENDITORE
PENTOLA G100-G150	28	RTCU900013	CALOTTA D.10
PENTOLA G100-G150	29	RTCU900012	BICONO D.10
PENTOLA G100-G150	30	RTCP800018	RUBINETTO ACQUA
PENTOLA G100-G150	31	RTCU700020	ACC. PIEZO+DADO
PENTOLA G100-G150	32	GACP800065	ASSIEME PILOTA
PENTOLA G100-G150	33	RIC0002475	VITE INTERNA RUBINETTO ACQUA
PENTOLA G100-G150	34	RTCP800073	RACCORDO TERMOCOPPIA
PENTOLA G100-G150	35	RTCP800131	PROLUNGA TERMOCOPPIA
PENTOLA G100-G150	36	RTCP800165	CABLAGGIO G100I
PENTOLA G100-G150	37	RTCP800067	TERMOSTATO LIMIT G100IT9 T.140°
PENTOLA G100-G150	38	RTCU700391	DADO FISSAGGIO TERMOCOPPIA

NOTA: IMPIANTO GAS