



C 80

LIST OF THE EXPLODED VIEWS



SHELL ASSY

COOLING SYSTEM

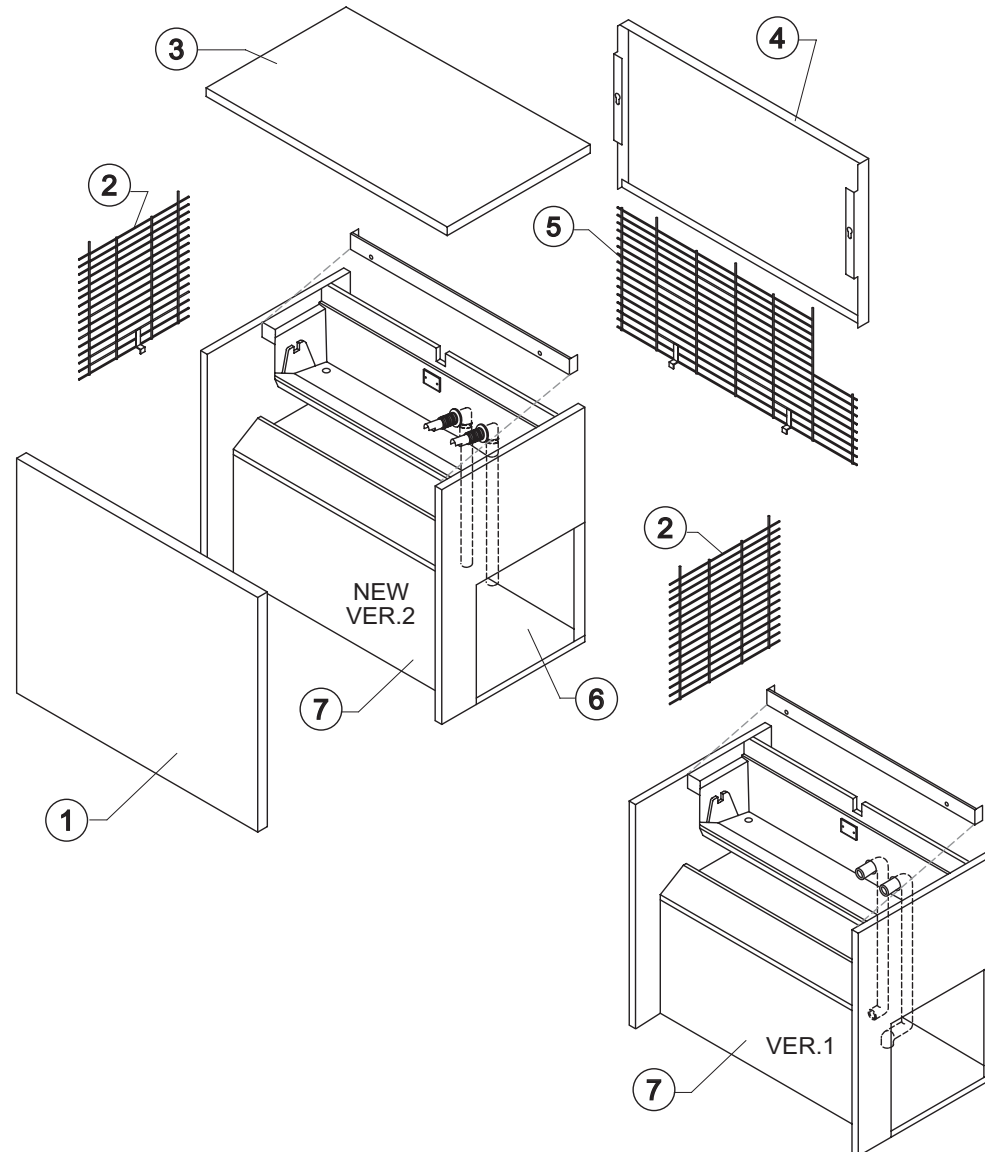
HYDRAULIC CIRCUIT

ELECTRIC PARTS



C 80

SHELL ASSY



Ref.	Spare Description	Code	
1	Front Panel Assembly	C22067B	
2	Side Grid	D12010	
3	Top Assembly	C22066	
4	Rear Panel	22027	
5	Rear Grid	Current Version	D12069
5	Rear Grid	Till s/n. 132695	D12009
6	Base Plate		21022
7	Foamed Cabinet Assy	See Table	-

Ref. 7 - Foamed Cabinet Assy

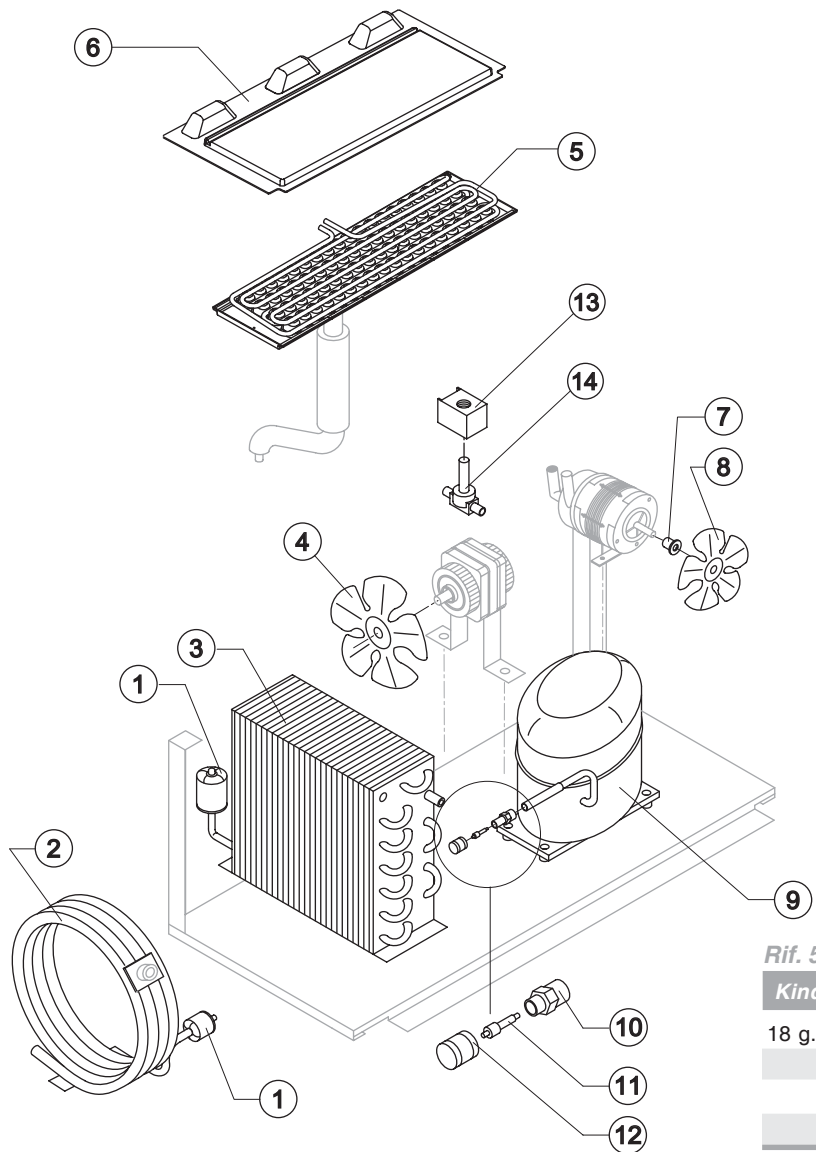
Code	Condensation	Note
C11005A	Air	Version 2
C11005W	Water	Version 2
C11005		Version 1

Rev. 8 - 15/05/2009



C 80

COOLING SYSTEM



Common Parts

Ref.	Spare Description	Code
1	Solid Core Drier	14089
5	Evaporator	See Table
6	Evaporator Cover Panel	Current Version
6	Evaporator Cover Panel	Till s/n. 249637
7	Fan Fixing Hub	10014
8	Sucking Fan	10213
9	Compressor	See Table
10	Vacuum-Charge Valve Body	14007
11	Vacuum-Charge Valve Device	14005
12	Vacuum-Charge Valve Plug	14006
13	Hot Gas Valve Coil	See Table
14	Hot Gas Valve Body	20410

Parts for Air-Cooled Version Only

Ref.	Spare Description	Code
3	Air Condenser	20030
4	Sucking Fan	20031

Parts for Water-Cooled Version Only

Ref.	Spare Description	Code
2	Water Condenser	14034
4	Sucking Fan	Till s/n. 221219

Rif. 5 - Evaporator

Kind of Cube	Code
18 g. (Standard)	D10048
33 g.	D10091
13 g.	D10419
42 g.	D10467

Ref. 9 - Compressor

Tension	Note	Code
T11	Current Version	23875
T11	Till s/n. 55025	23444
T12	Current Version	23504A
T12	Till s/n. 55025	23465
T13	Current Version	23553
T13	Till s/n. 55025	23554
T19		23553

Ref. 13 - Hot Gas Valve Coil

Tension	Code
T11	23091
T12	23091
T13	23256
T19	23256

Rev. 8 - 15/05/2009



C80

HYDRAULIC CIRCUIT

Common Parts

Ref.	Spare Description	Code
1	Ices Cube Slide	See Table
3	Flags Support Assy	C22060
4	Inner Basin	10028
5	Sprayers Bag Plug	10012
6	Sprayers Bar Assembly	See Table
7	Sprayer	D20002
8	Overflow Cap	10305
9	Overflow Pipe	10133
10	OR Gasket for Overflow Pipe	20233
11	Water Outlet Nipple	10472
12	Silicone Gasket	13006
13	Slide Keep Plate	10009
14	Pump Suction Filter	20005
15	Sprayers Feeding Pipe Assy	C13101
16	Semirigid Polyethylene Gasket	13007
17	Bin Discharge Nut	10096
19	Fittings Locking Ring	Version 2
20	Pump Suction/Delivery Pipe	Version 2
21	Fitting of the Pump Suction/Delivery Pipes	Version 2
22	Gasket for Pump Suction/Delivery Pipes	Version 2
23	Pump Suction Pipe	Version 1
24	Pump Delivery Pipe	Version 1
25	Fixing Screw	20009

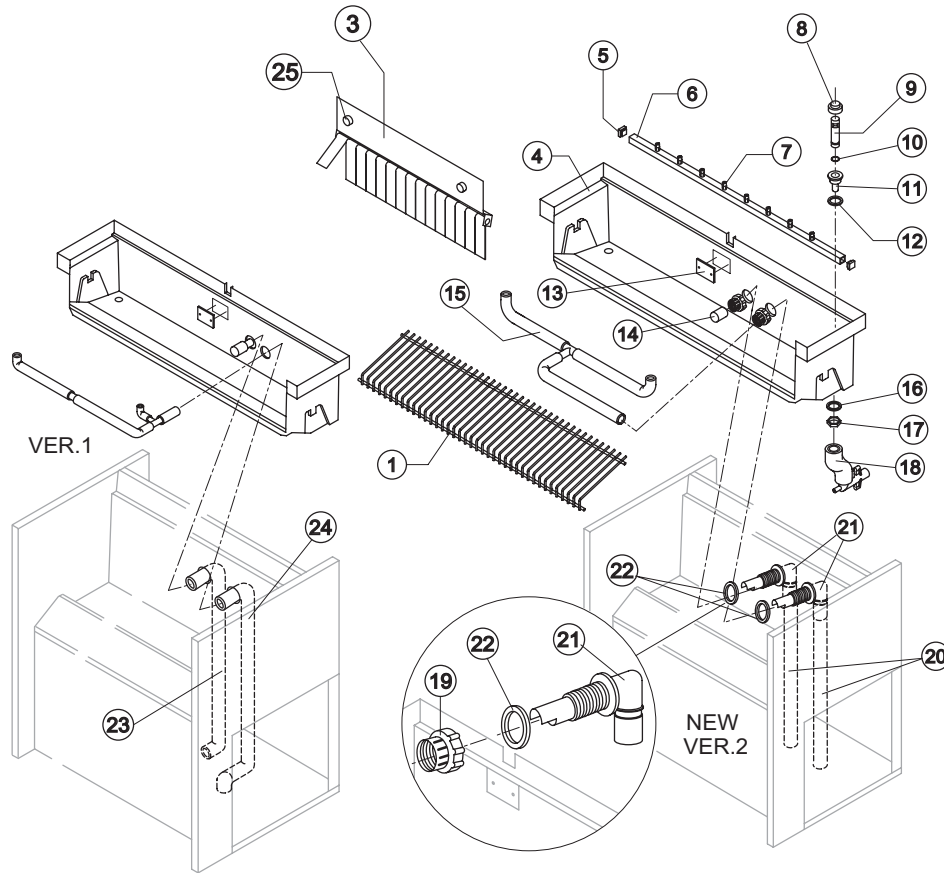
Parts for Air Cooled Version Only

Ref.	Spare Description	Code
18	Discharges Manifold	C10006

Parts for Water Cooled Version Only

Ref.	Spare Description	Code
18	Discharges Manifold	C26452

Rev. 8 - 15/05/2009



R6f. 1 - Ice Cube Slide

Kind of Cube	Code
18 g. (Standard)	D12011
33 g.	D12032
13 g.	D12041
42 g.	D12032

Ref. 6 - Sprayers Bar Ass.

Kind of Cube	Code
18 g. (Standard)	C20459
33 g.	C20460
13 g.	C20461
42 g.	C20460



C 80

ELECTRIC PARTS

Common Parts

Ref.	Spare Description	Code
2	Fan Motor	See Table
3	1 Way- Water Inlet Valve	See Table
7	Pump	See Table
9	Contacteur	Only T13 and T19
10	Condenser Pressure Switch	See Table
11	Bin Thermostat	R23421
12	Evaporator Thermostat	R23591
13	Timer	See Table

Parts for Air-Cooled Version Only

Ref.	Spare Description	Code
8	Anti Radio Interference Filter	Only T11

Parts for Water-Cooled Version Only

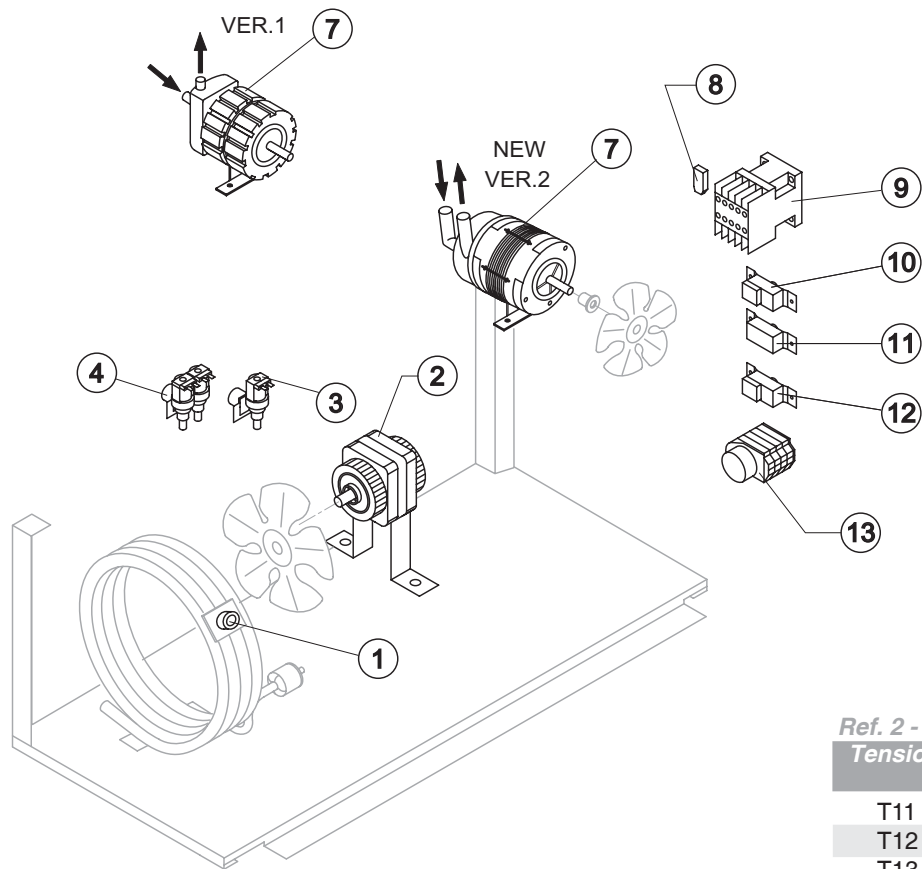
Ref.	Spare Description	Code
1	Safety Thermostat	C23114
4	2 Ways- Water Inlet Valve (Till s/n. 132695)	See Table
8	Anti Radio Interference Filter	Only T11

Ref. 2 - Fan Motor

Tension	Air	Water Till s/n. 221219
T11	23067	23029
T12	23681	23029
T13	23621	23683
T19	23621	-

Ref. 3 - 1 Way- Water Inlet Valve

Tension	18g/13g Cube	33g Cube	42g Cube
T11	23001	23001	23220
T12	23001	23220	23220
T13	23260	23631	23631
T19	23260	23631	23631



Ref. 4 - 2 Ways- Water Inlet Valve

Tension	Code
T11	23010
T12	23010
T13	23261

Ref. 7 - Pump

Tensione	Versione 1	Versione 2
T11	23002	23377
T12	23002	23377
T13	23264	23663
T19	-	23663

Ref. 10 - Condenser Pressure Switch

Tensione	Codice
T11	23175
T12	23175
T13	23175
T19	23680

Ref. 13 - Timer

Tensione	Cub. 18g	Cub. 33g	Cub. 13g	Cub. 42g
T11	23222	23248	23247	23780
T12	23248	23780	23247	23780
T13	23259	23786	23258	23786
T19	23259	23786	23258	23786

Rev. 8 - 15/05/2009