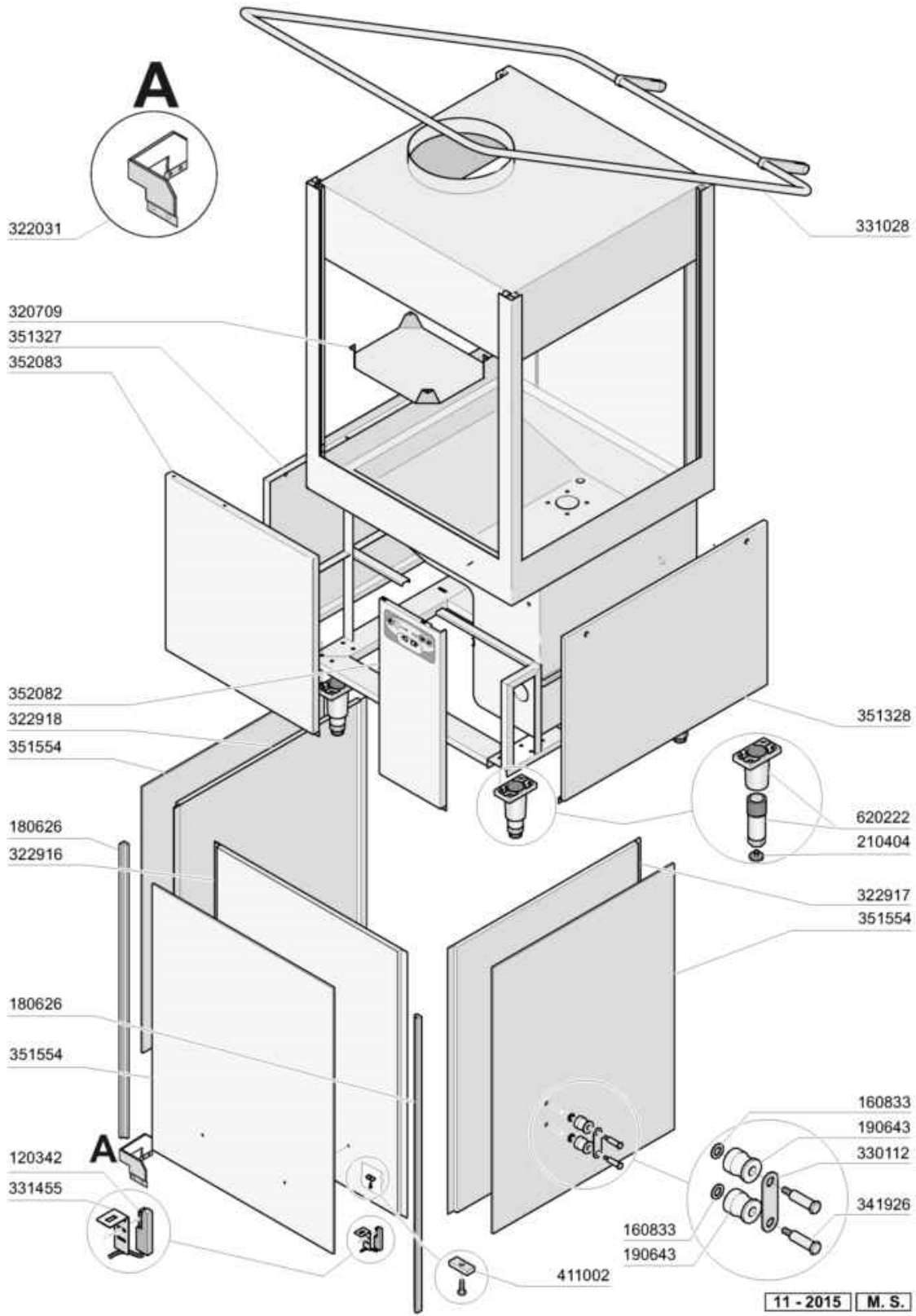
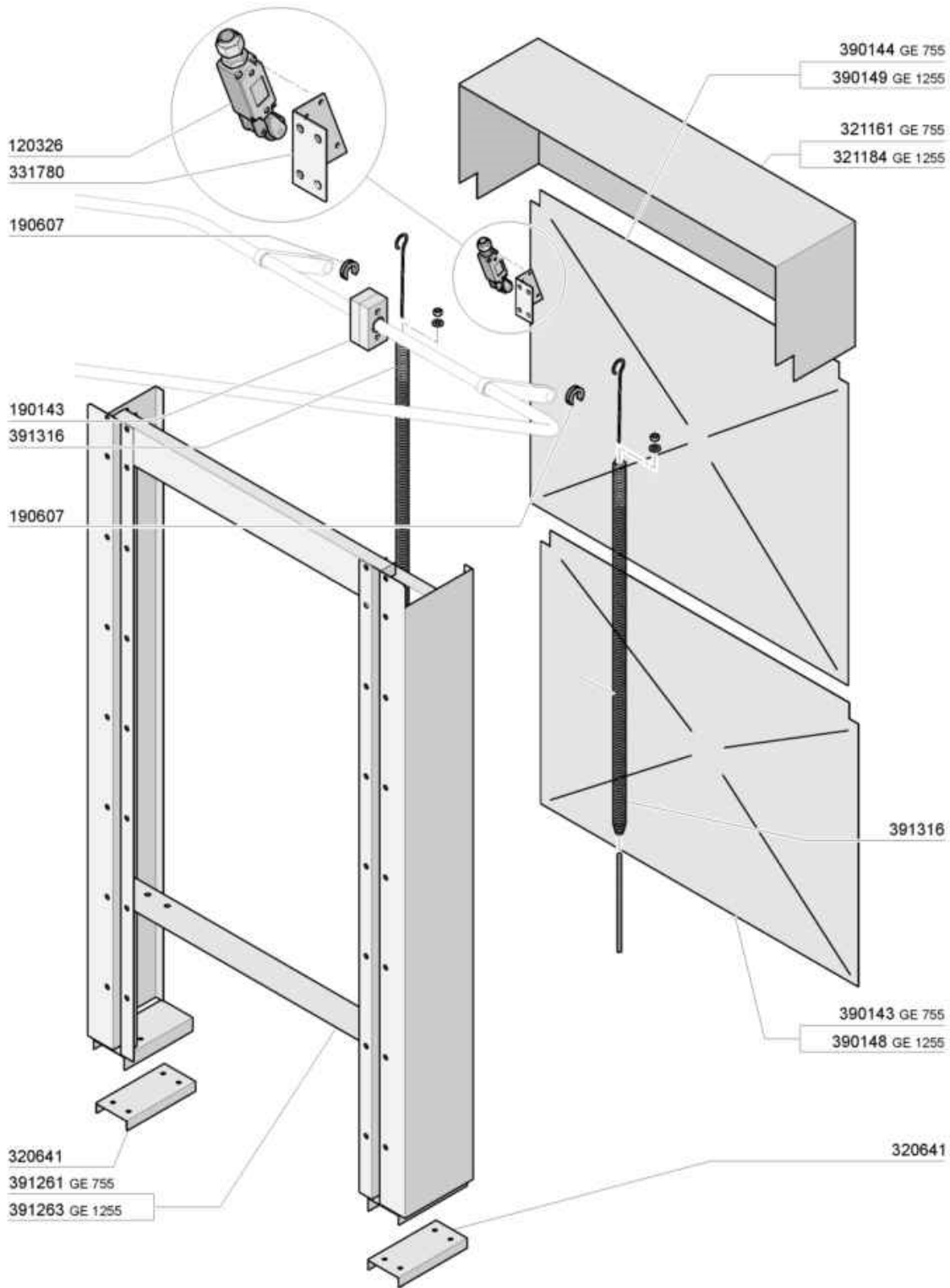
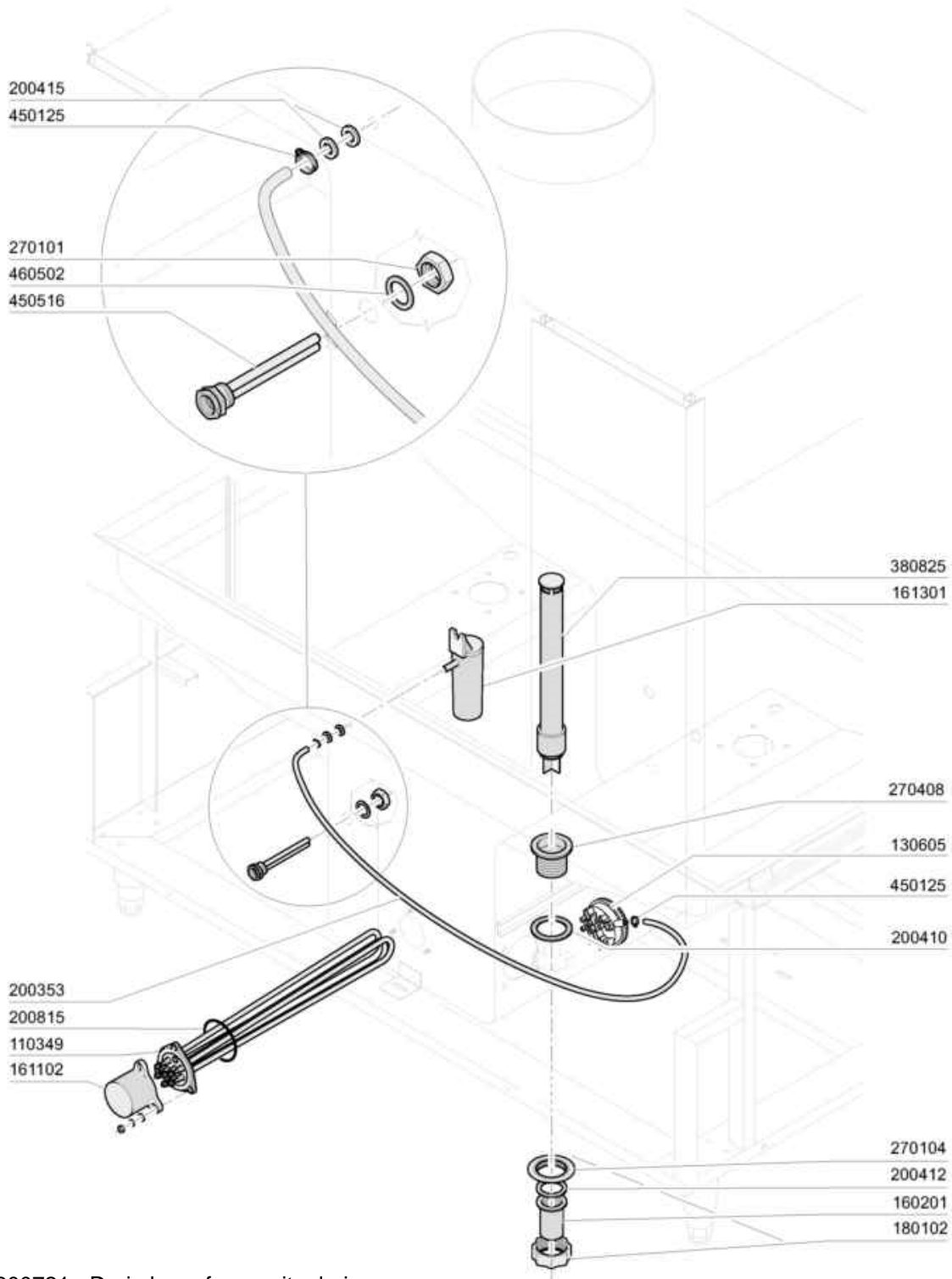


- 1 Hood
- 2 Rear hood
- 3 Tank
- 4 Filters and rack
- 5 Upper wash and rinse arms
- 6 Lower wash and rinse arms
- 7 Pump and tank
- 8 Booster and hydraulic system
- 9 Pump
- 10 Control box
- 11 Rinse aid injector
- 12 Detergent dispenser



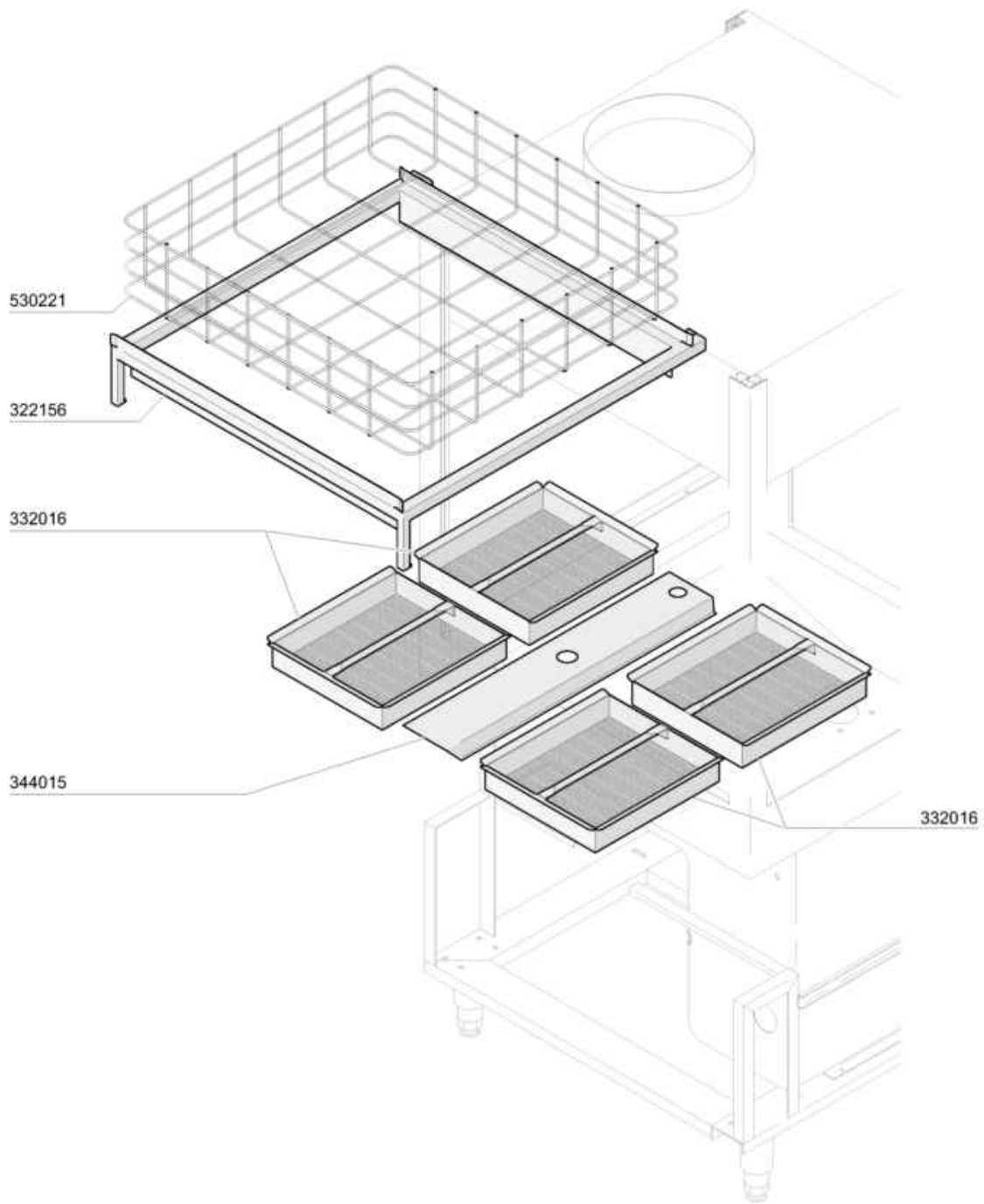


11 - 2012 M. S.

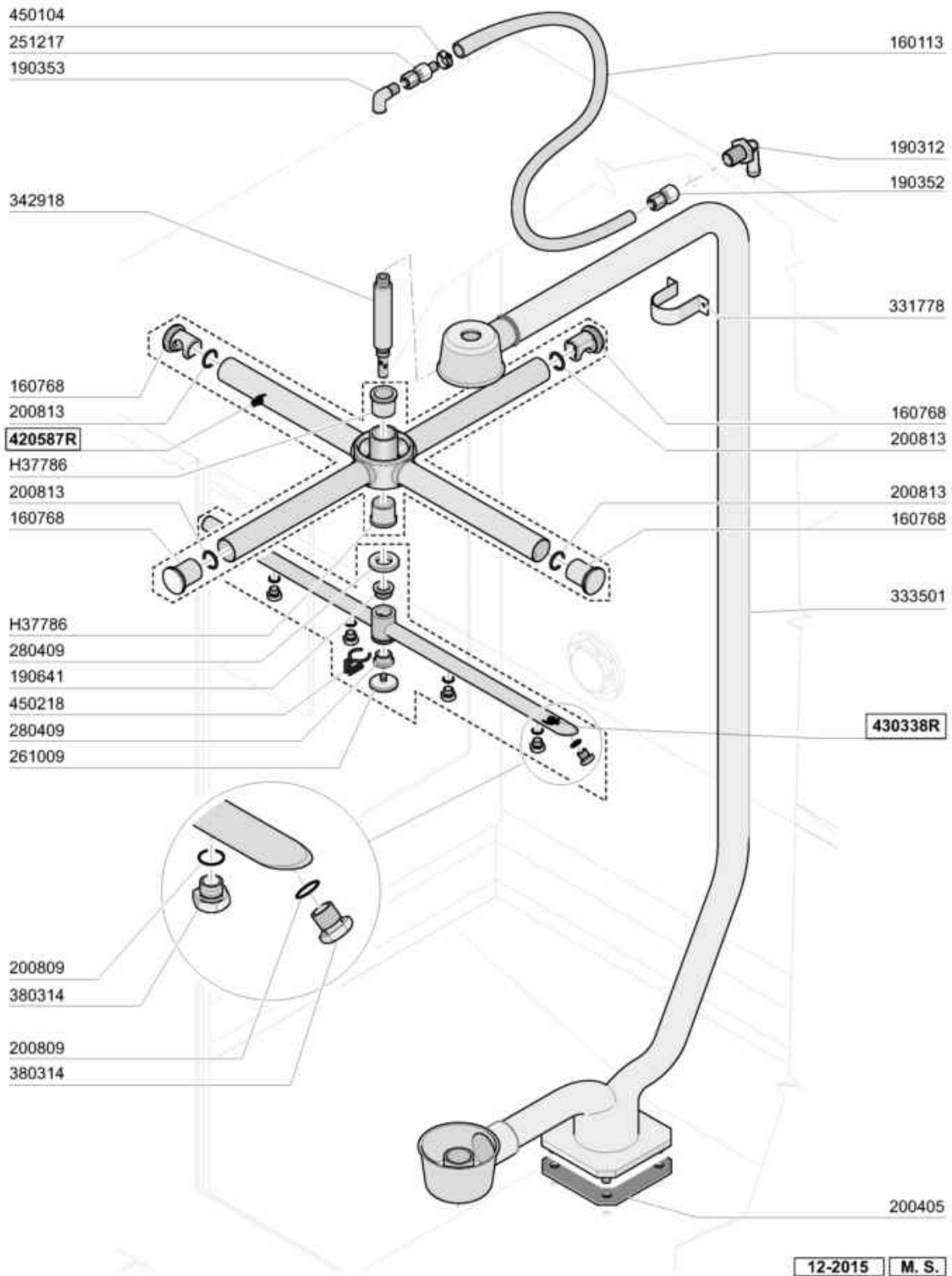


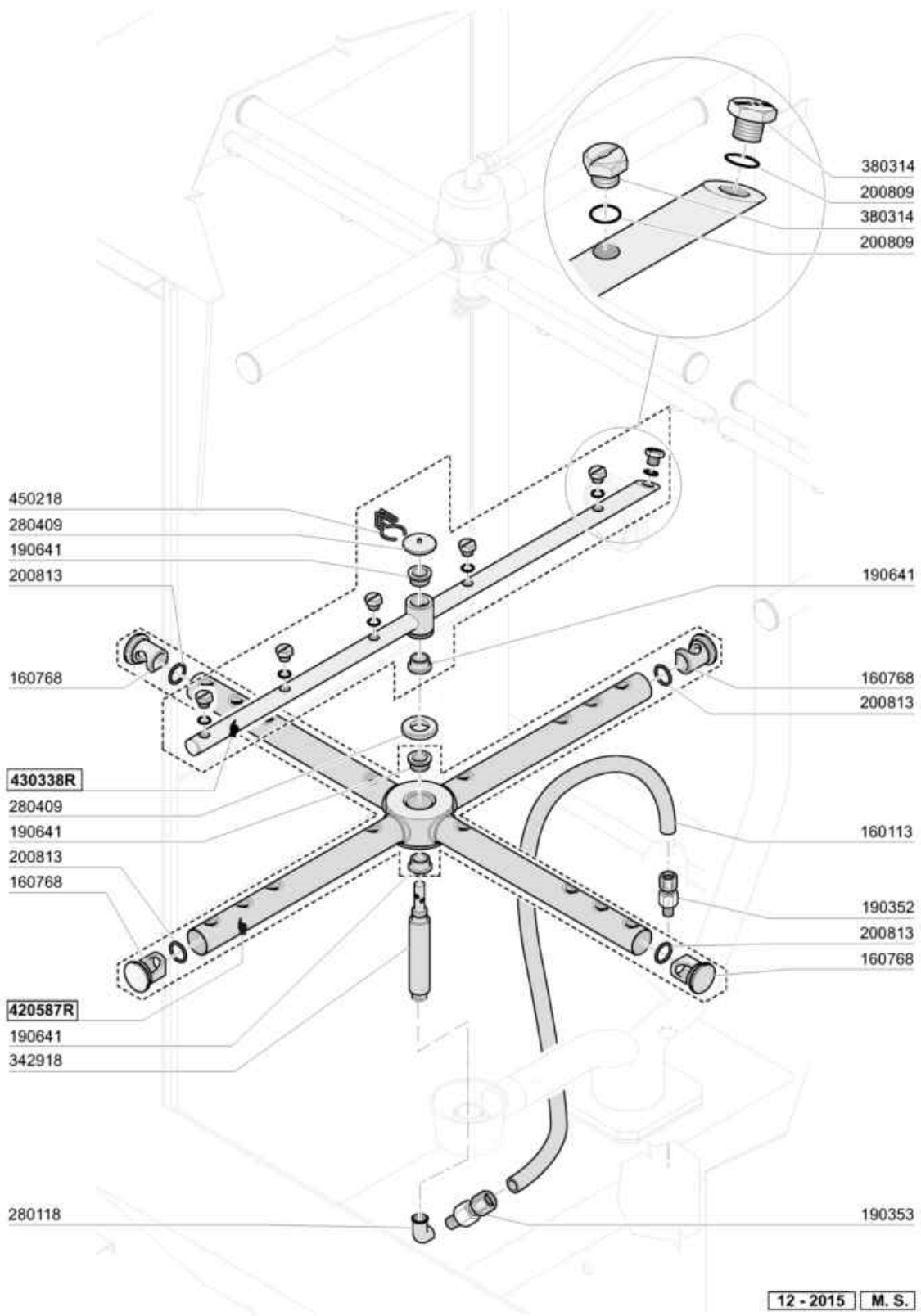
200721 - Drain hose for gravity drain  
200346 - Drain hose for pumped drain

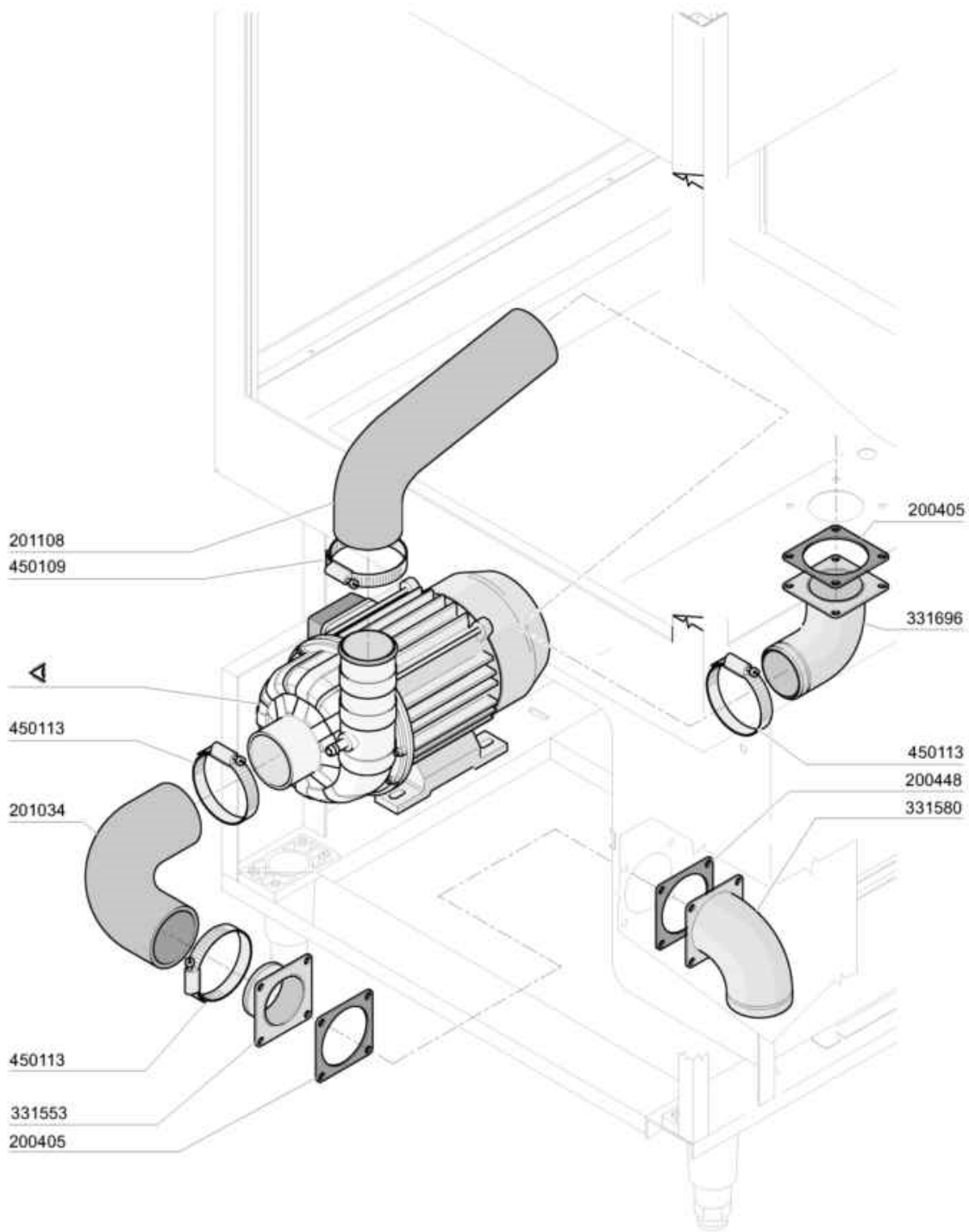
11 - 2012 M. S.



11 - 2012 M. S.

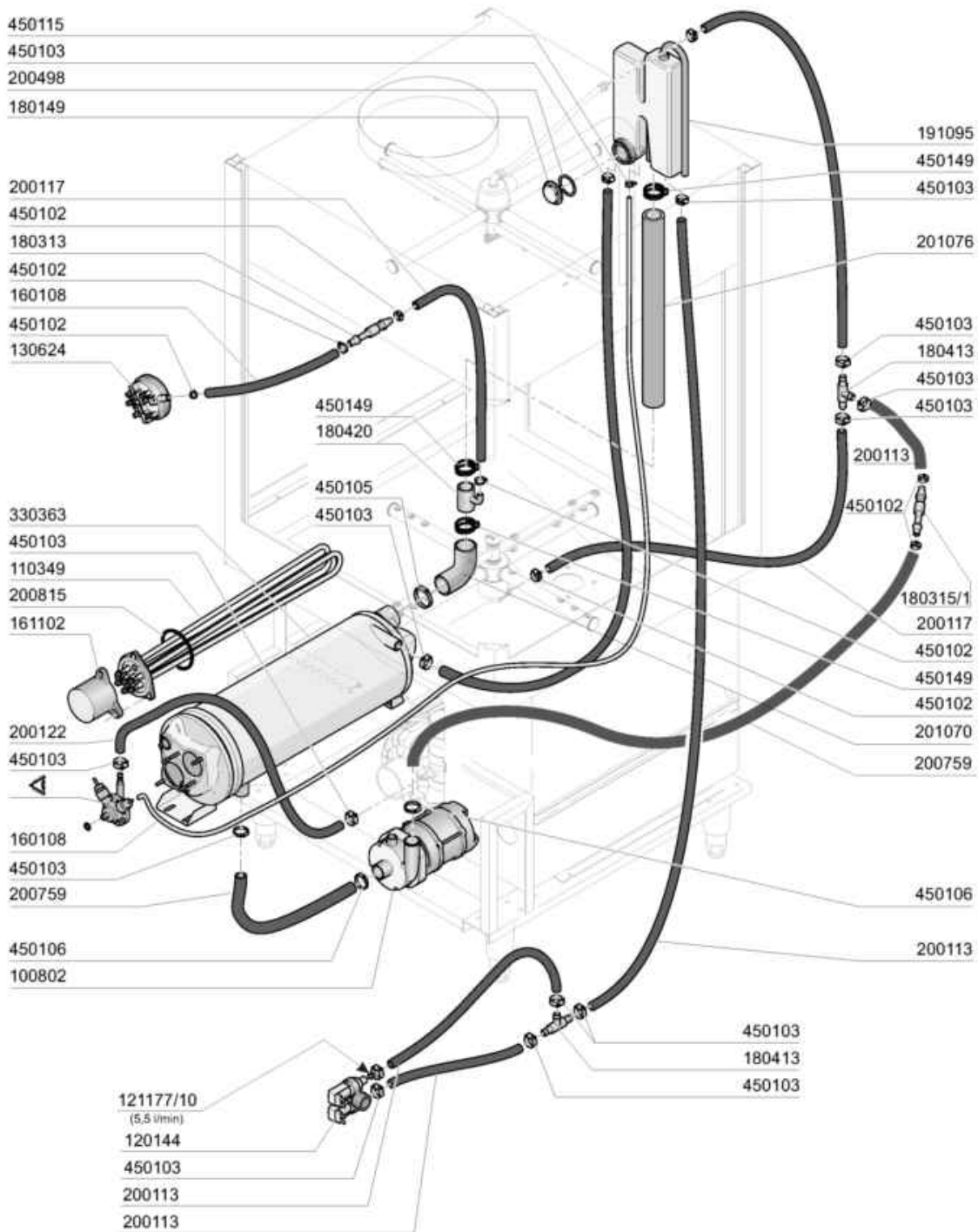




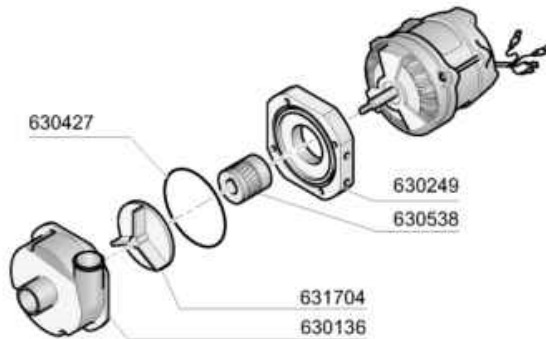
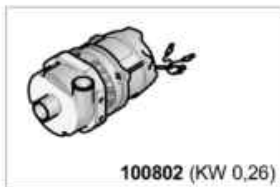
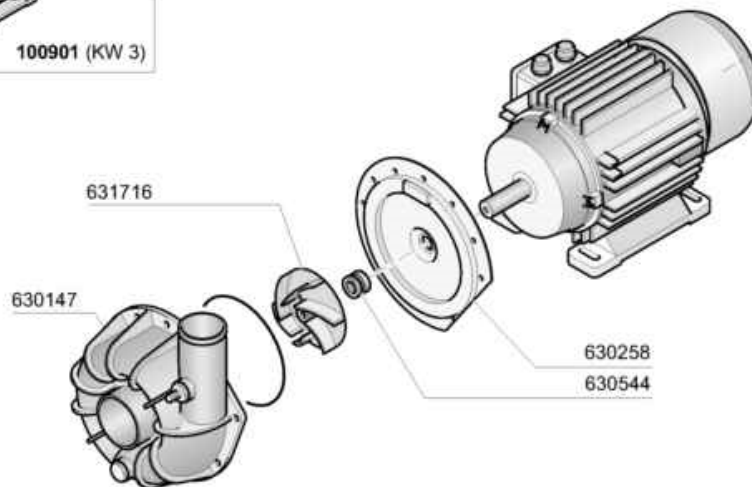
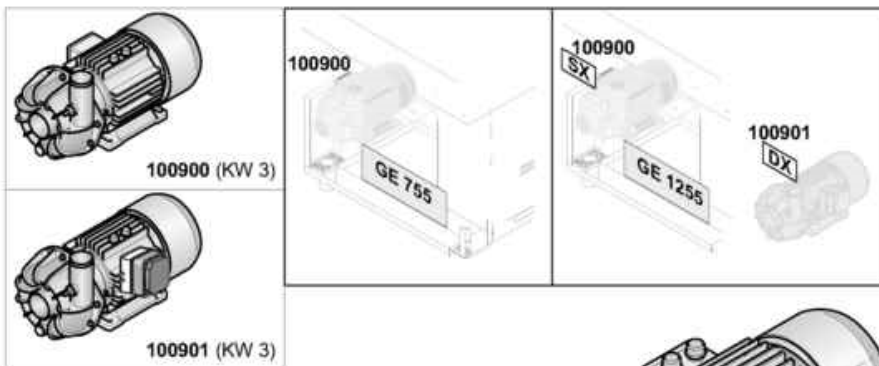


11 - 2012 M. S.

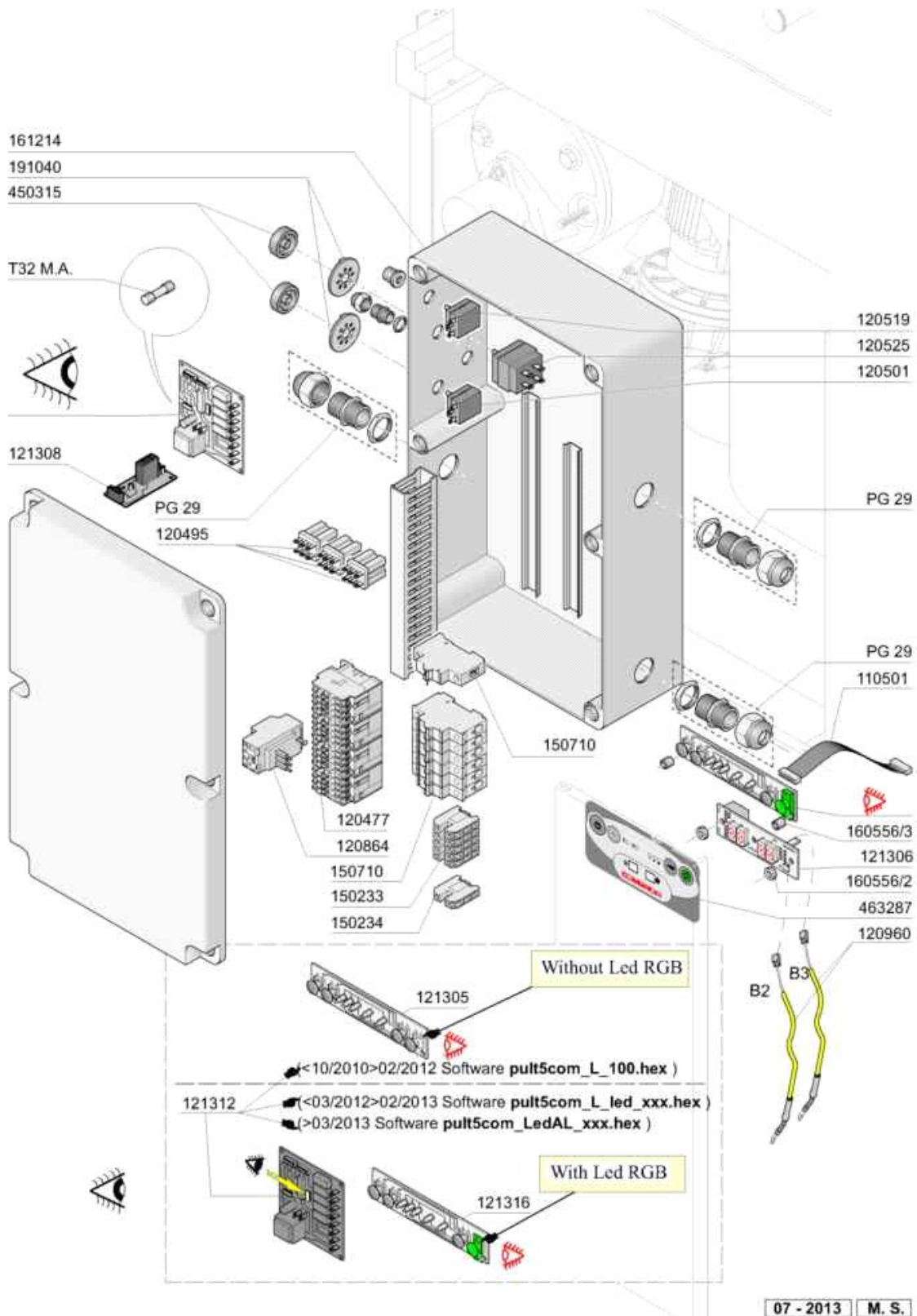


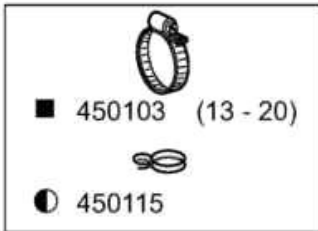
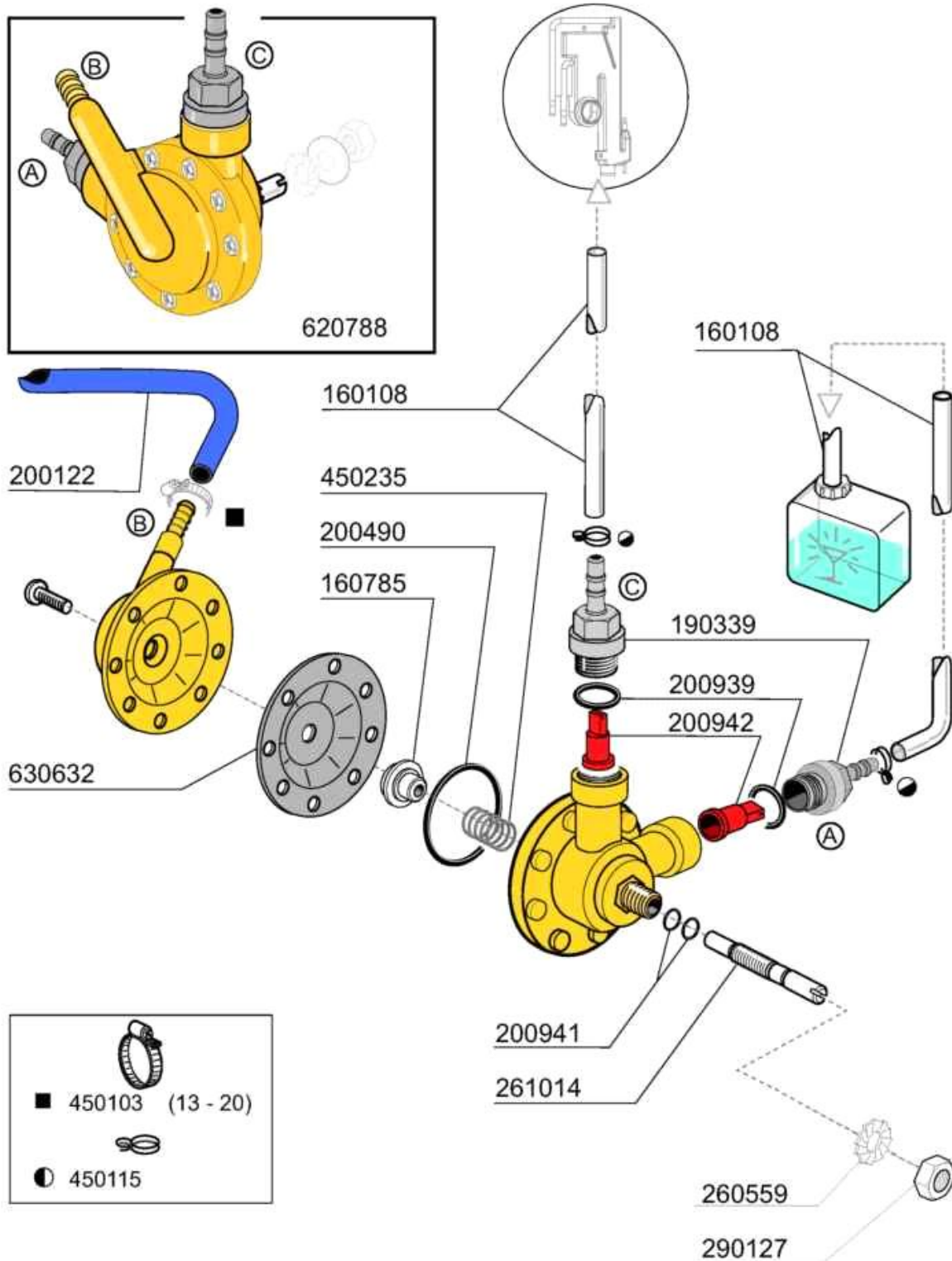


11 - 2012 M. S.

**Risciacquo - Rinse - Rincage - Nashspülpumpe - Aclarado**

**Lavaggio - Wash - Lavage - Waschpumpe - Lavado**


11 - 2012 M. S.





09-2015 | M.SA

