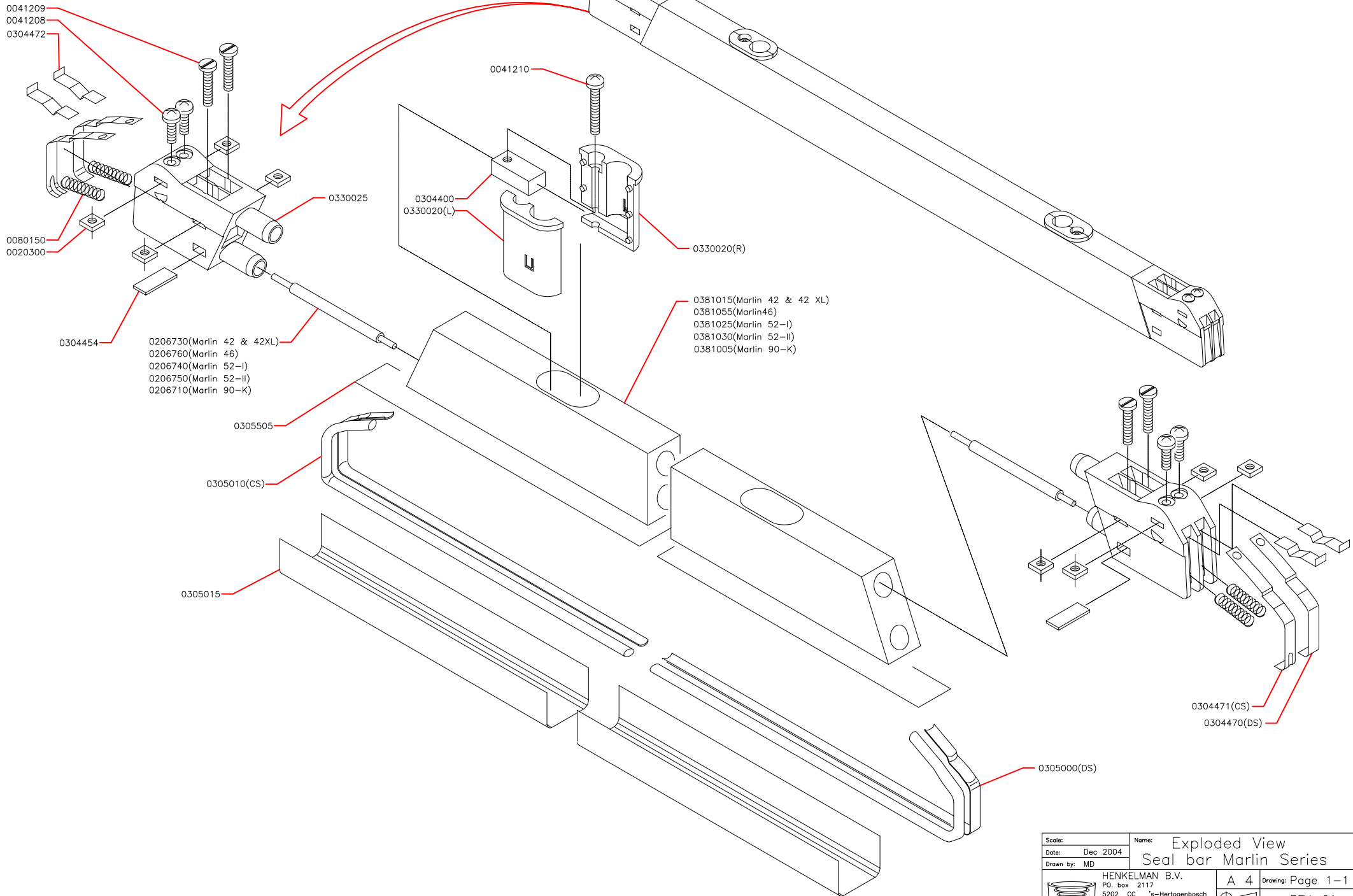

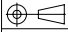
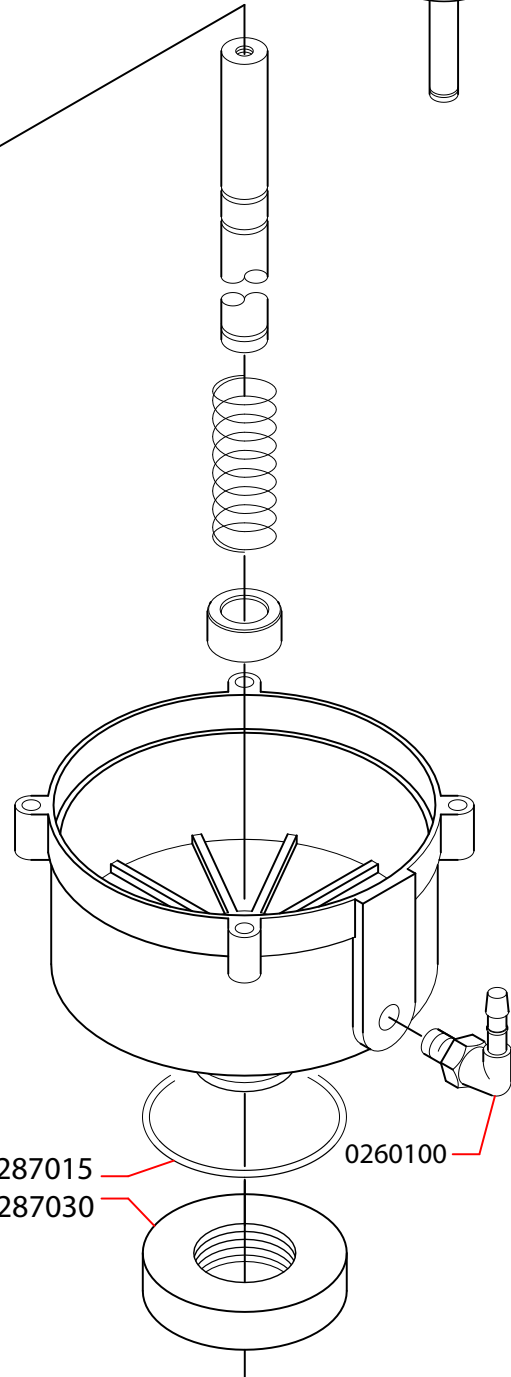
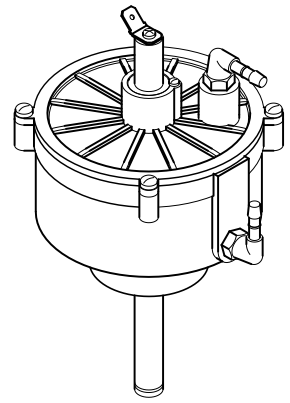
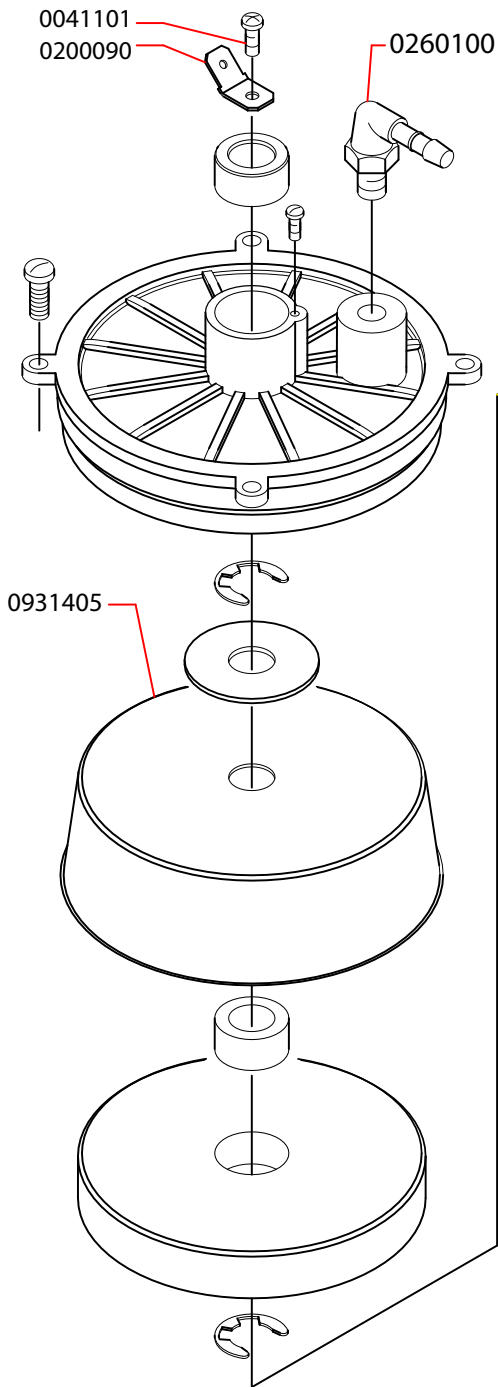


(DS) = DOUBLE SEAL
(CS) = CUT-OFF SEAL
(8mm) = 8mm SEAL

| | |
|---|---------------------|
| Scale: | Name: Exploded View |
| Date: July 2004 | MARLIN 42 |
| Drawn by: MD | |
| HENKELMAN B.V. P.O. box 2117 5202 CC 's-Hertogenbosch Tel. ++31(0)73 - 6213671 Fax. ++31(0)73 - 6221318 The Netherlands | |
| A 4 | Drawing: Page 1-1 |
| Rev. no: 02 | |
| Ownership strictly reserved. Multiplication or information to third parties in any form is not permitted without written permission of the owner. | |



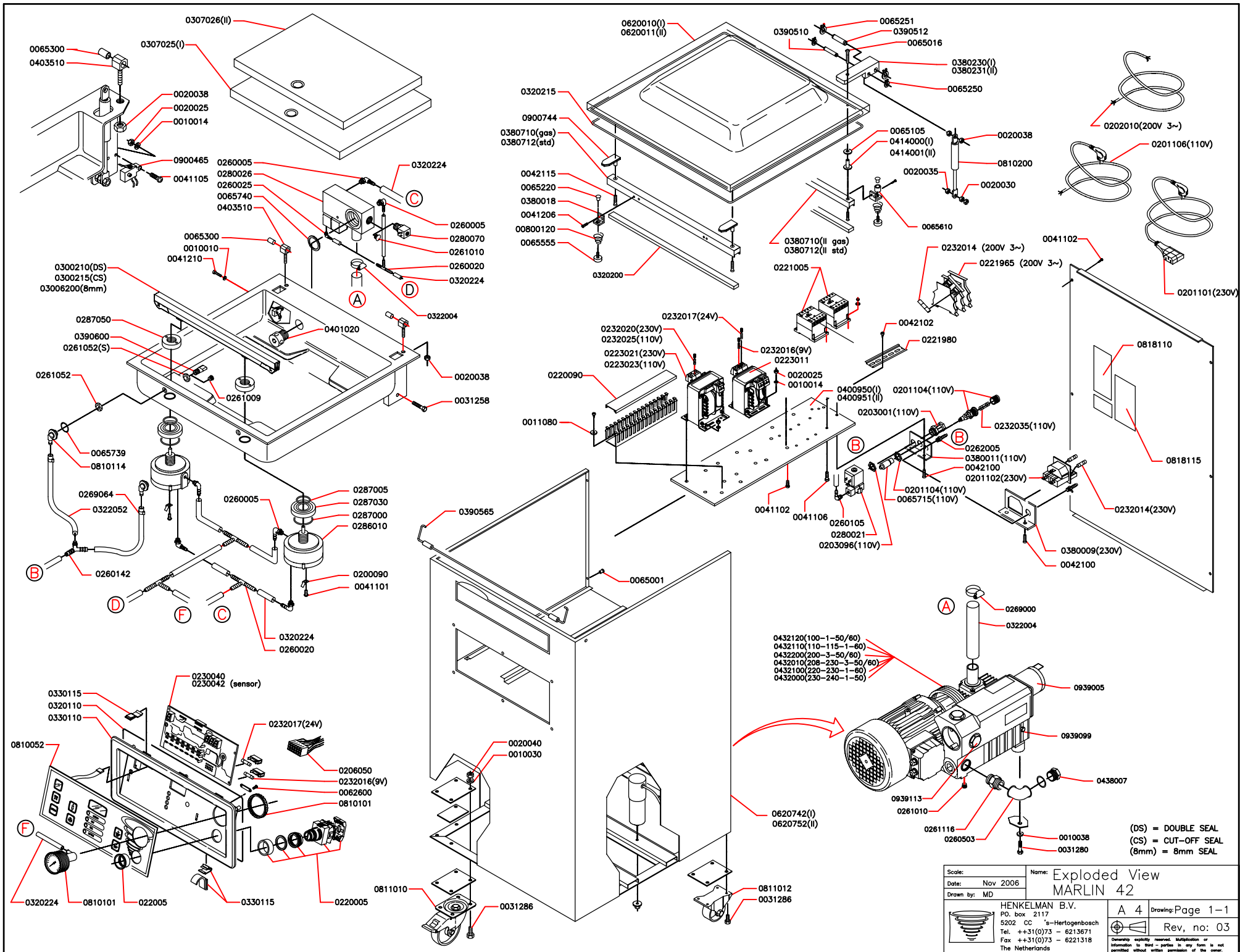
| | | | | |
|---|--------------------------|--|---|------------------------------|
| Scale: | Name: | Exploded View | | |
| Date: | Dec 2004 | Seal bar Marlin Series | | |
| Drawn by: | MD | | | |
|  | HENKELMAN B.V. | |  A 4 | |
| | P.O. box 2117 | | | Drawing: Page 1-1 REV. 01 |
| | 5202 OC s-Hertogenbosch | | | |
| | Tel. ++31(0)73 - 6213671 | | | |
| Fax ++31(0)73 - 6221318 | | | | |
| The Netherlands | | <small>Ownership explicitly reserved. Multiplication or information to third parties in any form is not permitted without written permission of the owner.</small> | | |



0286008 J35 / B35

0286010 J42 / B42 XL
M42 XL
M90

| | |
|--|------------------------|
| Scale: | Name: Exploded View |
| Date: April 2004 | Seal cilinder Boxer 42 |
| Drawn by: MD | |
| HENKELMAN B.V. PO. box 2117 5202 CC 's-Hertogenbosch Tel. ++31(0)73 - 6213671 Fax ++31(0)73 - 6213118 The Netherlands | |
| A 4 | Drawing: Page 1-1 |
| Rev.01 | |
| <small>Copyright, explicitly reserved. Reproduction or distribution in third parties is not permitted without written permission of the owner.</small> | |



(DS) = DOUBLE SEAL
(CS) = CUT-OFF SEAL
(8mm) = 8mm SEAL

| | |
|---|---------------------|
| Scale: | Name: Exploded View |
| Date: Nov 2006 | MARLIN 42 |
| Drawn by: MD | |
| HENKELMAN B.V. P.O. box 2117 5202 CC 's-Hertogenbosch Tel. ++31(0)73 - 6213671 Fax. ++31(0)73 - 6221318 The Netherlands | |
| A 4 | Drawing: Page 1-1 |
| Rev. no: 03 | |
| Ownership, modification, multiplication or information to third parties in any form is not permitted without written permission of the owner. | |