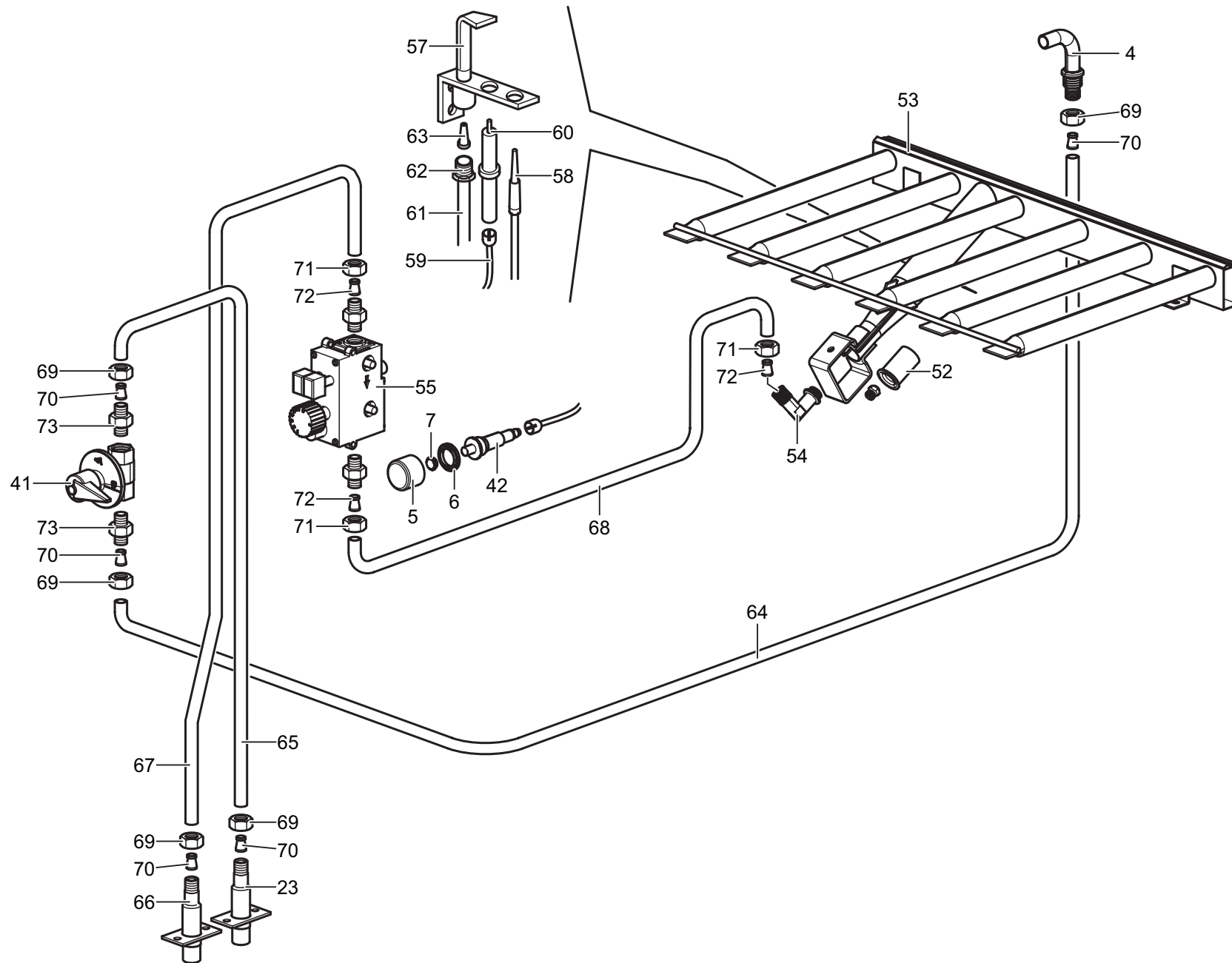


DOMINA 700

GBR77

TAV. 700-068



GBR77

DOMINA 700

TAV. 700-068

| TAVOLA | POS. | CODICE | ITALIANO | FRANCESE | INGLESE | TEDESCO |
|--------------|------|------------|-----------------------------------|---------------------------------------|----------------------------|------------------------------------|
| TAV. 700-068 | 1 | 165900 | VOLANT.GBR/4 C199175.TD2001O6X7Z1 | VOLANT | HANDWAL | HANDWEL |
| TAV. 700-068 | 2 | 166556 | FIANCO G4SF77 | CÔTÉ | SIDE | SEITE |
| TAV. 700-068 | 3 | 166594 | GRIGLIA CAM. NERA/LUC/RAAF | GRILLE POUR CHEMINÉE | CHIMMERY GRILL | SCHERNSTEINROST |
| TAV. 700-068 | 4 | 167439 | EROGATORE ACQ.GC477 01114880 | LIVRE DE L'EAU | WATER DELIVER | WASSER DELIVER |
| TAV. 700-068 | (5) | 167494 | COPERTURA A FUNGO PIEZO | COUVERTURE ALLUMAGE PIEZO | PIEZO LIGHTING COVERAGE | ZUDEKEN PIEZOELEKTRISCHER ANZÜNDER |
| TAV. 700-068 | (6) | 167858 | GHIERA PIEZO HG4S9 | ALLUMAGE PIEZO | PIEZO LIGHTING | PIEZOELEKTRISCHER |
| TAV. 700-068 | 7 | 167859 | CAPPELOTTO PIEZO HG4S9 | ALLUMAGE PIEZO | PIEZO LIGHTING | PIEZOELEKTRISCHER |
| TAV. 700-068 | 8 | 168318 | AS.COPERCHIO GBR77 | COUVERCLE | COVER | TOPFDECKEL |
| TAV. 700-068 | 9 | 168320 | PARETE POST.CAM.INT.GBR77 | PAROI ARRIÈRE CHEMINÉE | FLUE REAR WALL | RÜCKWAND |
| TAV. 700-068 | 10 | 168321 | PARETE ANT.CAM.INT.GBR77 | PAROI AVANT CHEMINÉE | FLUE FRONT WALL | VORDERWAND |
| TAV. 700-068 | 11 | 168323 | TRA.POST.UN.PIANTANE GBR77 | TRAVERSE | CROSSBAR | QUERTRÄGER |
| TAV. 700-068 | 12 | 169330 | AS.CRUSCOTTO GBR77 | PANNEAU DE CONTRÔLE | CONTROL PANEL | STIRNBRETT |
| TAV. 700-068 | 13 | 169334 | VASCA GBR77/INOX | CUVE | TANK | BEHÄLTER |
| TAV. 700-068 | 14 | 169343 | FACCIATA EST.GBR77 | FACADE | FACADE | FASSADE |
| TAV. 700-068 | 15 | 169419 | AS.CERN.COMPLETA INOX COP.GBR77 | CHARNIÈRE | HINGE | TÜRANGEL |
| TAV. 700-068 | 16 | 169420 | PIANTANA ANT.DX | SUPPORT DROITE | RIGHT SUPPORT | RECHTE SUPPORT |
| TAV. 700-068 | 17 | 169421 | PIANTANA ANT.SX | SUPPORT GAUCHE | LEFT SUPPORT | LINKE SUPPORT |
| TAV. 700-068 | 18 | 169472 | AS.CAMINETTO SUP. | FEU OUVERT | FLUE ASSEMBLY | ROST |
| TAV. 700-068 | 19 | 169568 | CONTORNO R/OLIO POST. | CONTOUR | OUTLINE | ÜBERSICHT |
| TAV. 700-068 | 20 | 169569 | CONTORNO R/OLIO SX | CONTOUR GAUCHE | LEFT OUTLINE | LINKE ÜBERSICHT |
| TAV. 700-068 | 21 | 169570 | CONTORNO R/OLIO DX | CONTOUR DROITE | RIGHT OUTLINE | RECHTE ÜBERSICHT |
| TAV. 700-068 | 22 | 169604 | POSTERIORE INOX | PANNEAU POSTÉRIEURE INOX | BACK STAINLESS STEEL PANEL | INOX RÜCKWAND |
| TAV. 700-068 | 23 | GABF800035 | AS.ATT.ACQUA GBM90/GBR | DISTRIBUTEUR POUR L'EAU | WATER DISTRIBUTOR | WASSERVERSORGUNG |
| TAV. 700-068 | 24 | PACU700524 | GUIDA GUARN.ANT. | GUIDE | GUIDE | FÜHRER |
| TAV. 700-068 | 25 | PACU701021 | BASAMENTO | FOND | BOTTOM | UNTERE EBENE |
| TAV. 700-068 | 26 | PACU701022 | SQ.P/PILOTA | EGUERRE POUR VILLEUSE | BRACKET TO SUPPORT PILOT | PILOTBRENNERHALTEWINKEL |
| TAV. 700-068 | 27 | PACU701023 | SQ.P/THERMOST.L. | THERMOSTAT SUPPORT | THERMOSTAT SUPPORT | BRENNERVERSORGUNG |
| TAV. 700-068 | 28 | PACU701024 | SQ.P/VALVOLA | SUPPORT VALVE | VALVE SUPPORT | VENTIL SUPPORT |
| TAV. 700-068 | 29 | PACU701037 | CAMERA COMB. | CHAMBRE DE COMBUSTION | COMBUSTION CHAMBER | BRENNERKAMMER |
| TAV. 700-068 | 30 | PACU701038 | TRA.POST.SUPP.RIBALTATORE | TRAVERSE | CROSSBAR | QUERTRÄGER |
| TAV. 700-068 | 31 | PACU701039 | PIANTANA POST. | SOUTIEN POSTÉRIEURE | SUPPORT BACK | RÜCKWAND SUPPORT |
| TAV. 700-068 | 32 | PACU701040 | SQ.SUP.FIS.RUB.ACQ. | EGUERRE | CREW | WINKEL |
| TAV. 700-068 | 33 | PACU701041 | SQ.INF.FIS.RUB.ACQ. | EGUERRE | CREW | WINKEL |
| TAV. 700-068 | 34 | PACU701043 | TRA.ANT.UN.PIANTANE | TRAVERSE | CROSSBAR | QUERTRÄGER |
| TAV. 700-068 | 35 | PACU701045 | TRA.LAT.DX UN.PIANTANE | TRAVERSE | CROSSBAR | QUERTRÄGER |
| TAV. 700-068 | 36 | PACU701053 | SUP.CENTRALE PERNO RIB. | SUPPORT CENTRAL | PIN SUPPORT | HALTERUNG |
| TAV. 700-068 | 37 | PACU701054 | TRA.LAT.SX UN.PIANTANE | TRAVERSE | CROSSBAR | QUERTRÄGER |
| TAV. 700-068 | 38 | PACU701055 | GUIDA GUARN.LAT. | GUIDE | GUIDE | FÜHRER |
| TAV. 700-068 | (39) | RTBF800076 | T.L.GBR/T360 5519572020 | THERMOSTAT LIMITATEUR | THERMOSTAT LIMIT | THERMOSTAT |
| TAV. 700-068 | 40 | RTBF900096 | PERNO FIS.PROLUNGA RIB. | CHEVILLE BASCULEUR | TILTING DEVICE PIN | KIPPVORRICHTUNGSSTIFT |
| TAV. 700-068 | (41) | RTCU600075 | RUB.CAR.ACQ.GC66 1320 | RUBINET DE L'EAU | WATER TAP | WASSERHAHN |
| TAV. 700-068 | (42) | RTCU700020 | ACC.PIEZO+DADO G4SF7 0073960 | ALLUMAGE PIEZO | PIEZO LIGHTING | PIEZOELEKTRISCHER ANZÜNDER |
| TAV. 700-068 | 43 | RTCU700277 | PIEDINO+T.S.G4SF7/145 | PIED S.G4S7 TOP / 32 | FOOT S.G4S7 TOP / 32 | FUSS S.G4S7 TOP / 32 |
| TAV. 700-068 | 44 | RTCU700502 | CERN.ANT.VASCA GBR7 ZINC. | CHARNIÈRE | HINGE | TÜRANGEL |
| TAV. 700-068 | 45 | RTCU700503 | PERNO CERN.ANT. | CHEVILLE CHARNIÈRE anterieure | TANK INGE PIN | KIPPVORRICHTUNGSSTIFT |
| TAV. 700-068 | 46 | RTCU700504 | SUP.OSCILL.GBR7 UCFL204 | SUPPORT OSCILLANT | OSCILLATING SUPPORT | UNTERSTÜTZUNG |
| TAV. 700-068 | 47 | RTCU700509 | RIBALTATORE VASCA GBR7 ZINC. | BASCULEUR BAC | TANK TILTING DEVICE | WANNENKIPPVORRICHTUNG |
| TAV. 700-068 | 48 | RTCU700510 | VITE RIBALT.VASCA GBR7 NICH. | VIS BASCULEUR | TILTING DEVICE SCREW | KIPPVORRICHTUNGSSCHRAUBEN |
| TAV. 700-068 | 49 | RTCU700511 | PROLUNGA RIBALT.GBR7 ZINC. | ROLLENGE BASCULEUR | FILTING DEVICE EXTENSION | KIPPVORRICHTUNGVERLÄNGERUNG |
| TAV. 700-068 | 50 | RTCU700512 | SUP.RIBALTATORE GBR7 ZINC. | SUPPORT BASCULEUR | TANK TILTING SUPPORT | HALTERUNG |
| TAV. 700-068 | 51 | RTCU700514 | BUSSOLA M/VITE GBR7 | VIS FEMELLE | NUT SCREW | MUTTER |
| TAV. 700-068 | 52 | RTCU700516 | REGOLAT.ARIA BRUC. | DISPOSITIF REGL. D'ADM. D'AIR BRÛLEUR | BURNER AIR SHUTTER | BRENNERLUFTREGLER |
| TAV. 700-068 | (53) | RTCU700632 | BRUC.GBR7 18196222001 | BRÛLEUR | BURNER | BRENNER |
| TAV. 700-068 | 54 | RTCU800180 | SUPPORTO INIET.D.12 GT | SUPPORT INJECTEUR | INJECTOR SUPPORT | EINSPRITZHALTERUNG |
| TAV. 700-068 | (55) | RTCU900064 | CORPO V.GBR7/CAP80/0710650 | VALVE | VALVE | VENTIL |

| | | | | | | |
|--------------|------|------------|--------------------------------|--------------------------------|--------------------------------|---------------------------------|
| TAV. 700-068 | (56) | RTCP800026 | MOLLA CERNIERA | RESSORT POUR CHARNIÈRE | HINGE SPRING | SCHARNIERFEDER |
| TAV. 700-068 | 57 | RTCP800034 | CORPO PILOTA G100 | VEILLEUSE | PILOT | PILOTBRENNER |
| TAV. 700-068 | (58) | RTCU900474 | T/COPPIA 75 0290087/TARGET | THERMOCOUPLE 75 0290087/TARGET | THERMOCOUPLE 75 0290087/TARGET | THERMOELEMENT 75 0290087/TARGET |
| TAV. 700-068 | 59 | RTCU900384 | CAVO ACC.F.GFT47/50(B+B) | CABLE D'ALLUMAGE | LIGHTING CABLE | ZÜNDKABEL |
| TAV. 700-068 | (60) | RTCP800033 | CAND.ROT.G100 CAST0772183 | BOUGIE OXIDE RONDE | ROUND SPARK | ZÜNDKERZE |
| TAV. 700-068 | 61 | PACU701059 | TUBO PILOTA BRUC.GBR7 | TUBE ALIMENTATION VEILLEUSE | PILOT PIPE | PILOTBRENNERROHR |
| TAV. 700-068 | 62 | RTCP800038 | RACCORDO T/C. PILOTA | ÉCROU POUR THERMOCOUPLE | NUT FOR THERMOELEMENT | THERMOELEMENTANSCHLUSS |
| TAV. 700-068 | (63) | RTCP800040 | INIET. PILOTA | INJECTEUR VEILLEUSE | PILOT INIECTOR | PILOTEINSPRITZER |
| TAV. 700-068 | 64 | 170005 | TU.AL.EROG.ACQ. | DISTRIBUTEUR POUR L'EAU | WATER DISTRIBUTOR | WASSERVERSORGUNG |
| TAV. 700-068 | 65 | RTCU700506 | TU.AL.RUB.ACQ. | TUBE DE CHARGEMENT DE L'EAU | WATER FEEDING TAP | VERSORGUNGSROHR |
| TAV. 700-068 | 66 | RTCU700515 | ASSIEME ATTACCO GAS | ATTELAGE | LINKAGE | KUPPLUNG |
| TAV. 700-068 | 67 | RTCU700507 | TUBO ALIM. VALVOLA | TUBE D'ALIMENTATIONE VALVE | BURNER FEEDING PIPE | BRENNERVERSORGUNGSROHR |
| TAV. 700-068 | 68 | RTCU700508 | TU.AL.BRUC. | TUBE D'ALIMENTATIONE BRÛLEUR | BURNER FEEDING PIPE | BRENNERVERSORGUNGSROHR |
| TAV. 700-068 | 69 | RTCU900013 | CALOTTA D.10 | CALOTTE D.10 | CAP D.10 | MUTTER D.10 |
| TAV. 700-068 | 70 | RTCU900012 | BICONO D.10 | BICONE Ø10 | BICONE Ø10 | ZWEIKEGEL Ø10 |
| TAV. 700-068 | 71 | RTCU800181 | CALOTTA D.12 SUPP.INIET. | CALOTTE D.12 | CAP D.12 | MUTTER D.12 |
| TAV. 700-068 | 72 | RTCU800195 | BICONO D.12 ART182 SUPP.INIET. | BICONE D.12 | BICONE D.12 | ZWEIKEGEL D.12 |
| TAV. 700-068 | 73 | RTCU900132 | NIPLES 1/2"X3/8"ZINC. | RACCORD | PIPE FITTINGS | VERBINDUNGSSTÜCK |



= Ricambi consigliati - Recommended spare parts