

cookmax+



start!

Kühlung Bedienungs-Kühlvitrine

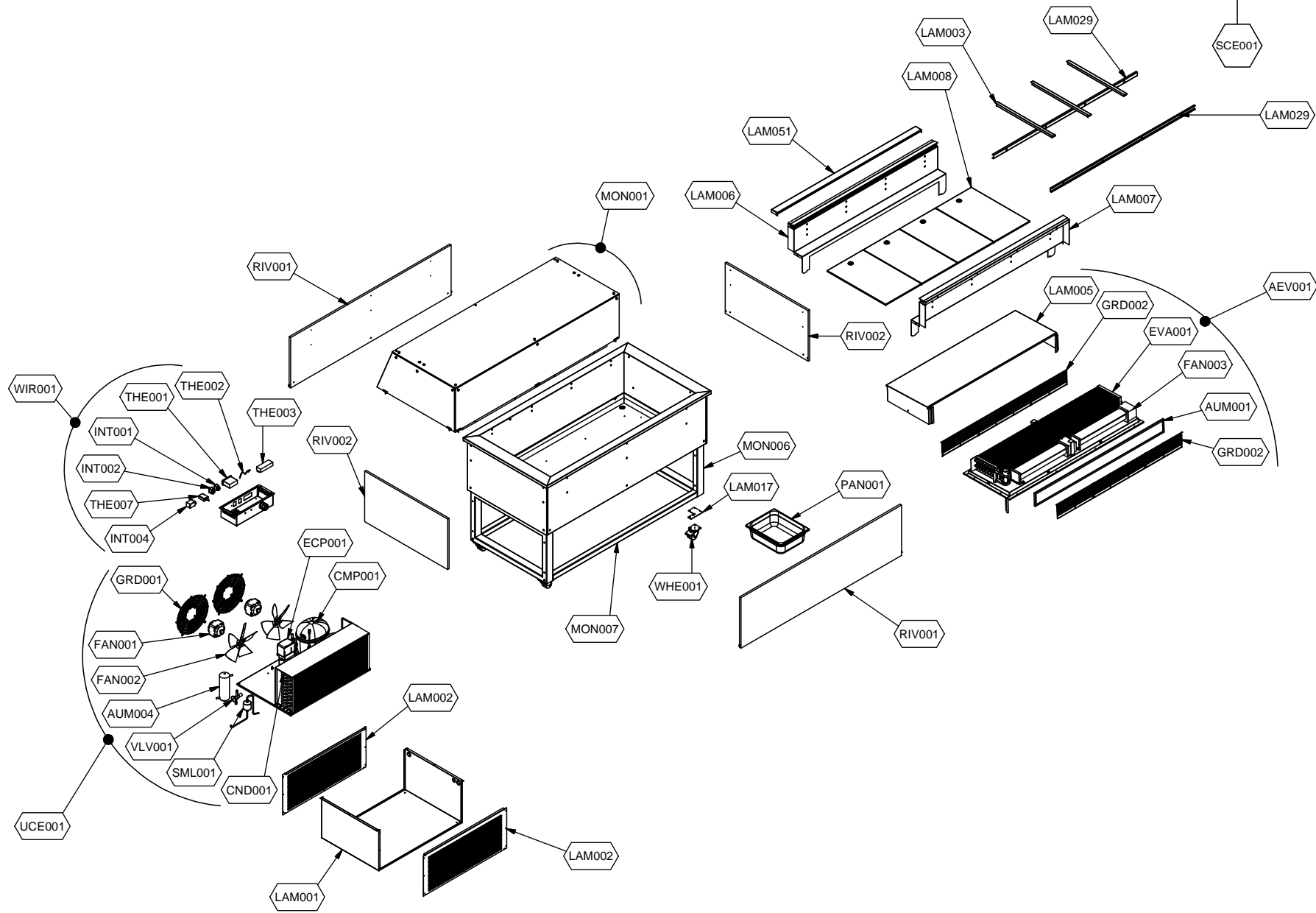
Artikel-Nr.

651166 (9BESS4FIFCA24 / ES-BLUE VISION 4C)

Explosionszeichnung / Ersatzteile

Bitte bei Ersatzteilbestellung immer Artikelnummer und Seriennummer mit angeben!

	PARAM.	OPTIONAL
⚡	SCE001	OPT
	TAR001	


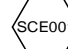




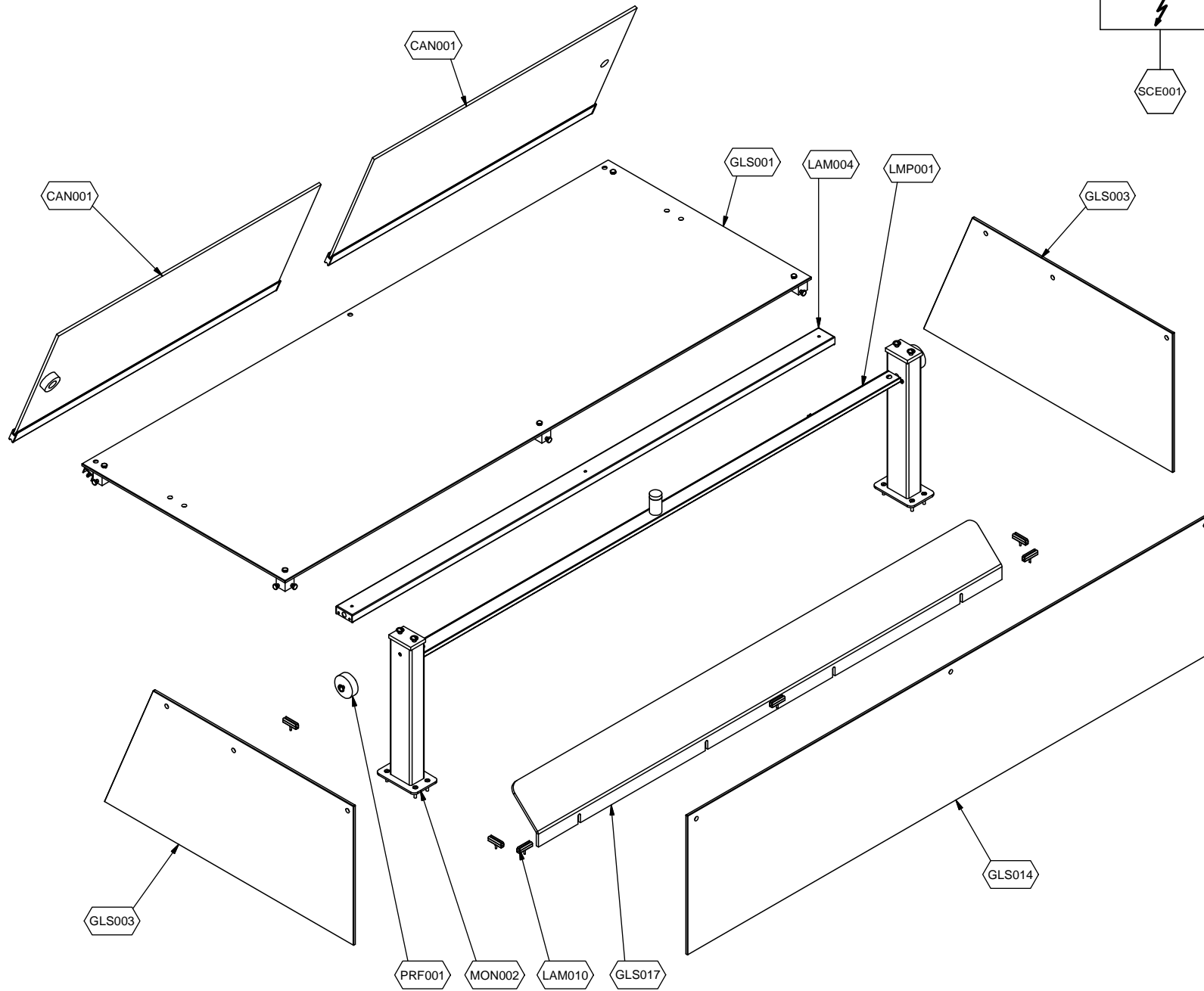
Cod. ESP093

Denominazione: ESSENCE BLUE VISION 2-3-4/1

Data: 18/04/14

INDICE DI MODIFICA: 00

	PARAM.	OPTIONAL
		



Exploded View

Validity: 08/04/2016

9BESS4FIFCA24	ESSENCE 4I VASCA REF.VENT L.CHERRY VISIO
ESP093	ESSENCE BLUE VISION 2-3-4/1

Ref. Drawing	Code	Description
AEV001	73688954	ASS.EVAP.VETRINA RINF.DROP-IN 4/1
AUM001	74837184	FILTRO ARIA EVAP.VENT RINF.DROP-IN 4/1
AUM004	74700708	SERBATOIO VERT.L.0,58(65/204VS00)
CAN001	73668864	ASS.CHIUS.PLEX.BLUE VISION 4/1 DROP-IN
CMP001	74865634	COMPR.NT6226GK MBP CSCR 230V/50HZ R404A
CND001	74837119	CONDENS.700X108XH286 11TX5R3/8"PA3.2MM
ECP001	74867018	PARTI ELETTR.COMPR. NT6226GK
EVA001	74839104	EVAP.VENT.RINF.DROP-IN 4/1
FAN001	74848144	VENT.COND. 20W 230/50-60 L.CAVO=1MT
FAN002	74848118	PALA ASP. DIAM. 254 INCL.34°
FAN003	74845036	VEN.EMMEVI TGA 60/3-420/40 055V 230V 65W
GLS001	74776774	CAPPOT.VETRO SOVR.BLUE VISION 4/1 DROP-I
GLS003	74776604	CR.FIANCO BLUE VISION DROP-IN
GLS014	74776714	VETRO FRONT.SOVR.BLUE VISION 4/1 DROP-IN
GLS017	74776674	CONVOG.ARIA BLUE VISION DROP-IN 4/1
GRD001	74845124	GRIGLIA DIAM. 279 H=27 MM
GRD002	74847194	GRIGLIA EVAP.VENT.RINF.DROP-IN 4/1
INT001	74742008	INT.NERO ON-OFF 16A SH JS-608FA-O-B-6
INT002	74742017	INTERR.ARANC.LAMP 16A B418C1H1X0000 MOLV
INT004	75956088	RELE FINDER 30A 65-31 230V 50-60HZ
LAM001	72539281	LAM.SUPP.UCE BA 5-6/1 VENTILATO DROP-IN
LAM002	72539288	GRIGLIA AEREAZ.BA VENT.5-6/1 DROP-IN
LAM003	72556044	LAM.SUPP.VASCH.GRBF 151 530*20
LAM004	72539084	LAM.PLAFONIER.SOVRASTR.LIGHT 4-1 DROP-IN
LAM005	72538764	LAM.COP.EVAP.RINF.DROP-IN 4/1
LAM006	73689864	ASS.CONV.ARIA POST.VENT.RINF.4/1 DROP-IN
LAM007	73689874	ASS.CONV.ARIA ANT.VENT.RINF.4/1 DROP-IN

Ref. Drawing	Code	Description
LAM008	74707262	VASSOIO VASCA VENTILATA DROP-IN
LAM010	72557114	LAM.SUP.VETRO FRONT.\LATER. VRX TT
LAM017	72539674	LAM.UNIONE GAMBA+TRAVERSO DROP-IN
LAM029	72539484	LAM.SUPPORTO VASCHETTE 4/1 DROP-IN
LAM051	72538514	LAM.COPERT.DEF.VENT.4/1 RIBASS.DROP-IN
LMP001	72539044	LAMPADA A LED SOVRAS.LIGHT 4-1 DROP-IN
MON001	73668854	ASS.SOVR.BLUE VISION VENT.4/1 DROP-IN
MON002	72534260	MONTANTE SOVRAST.BLUE VISION DROP-IN
MON006	72539682	TELAIO GAMBA VENT.DROP-IN
MON007	72539694	TRAVERSO TELAIIO GAMBA 4/1 DROP-IN
PAN001	74707120	VASCH.GN 265*325*100 1/2 POLICARBONATO
PRF001	72538992	DISTANZIALE VETRINA DROP-IN
RIV001	72546814	FIANCO SUP.CILIEGIO VENTIL. DROP-IN 4/1
RIV002	72546794	SPALLA SUP.CILIEGIO VENTILATO DROP-IN
SCE001	SC850	SCHEMA ELETTRICO DROP-IN REFRIG.
SML001	73670196	ASS.FILTRO VENT.RINF.DROP-IN 4-5-6/1
TAR001	RIF.TAR.B12	PARAMETRI DROPIN & BUFFET BLUE VISION
THE001	74700881	CENTR.PYAO1C0522-BZ 230V H/C
THE002	74700916	SONDA NTC IKE 3METRI -50/+105°
THE003	74700892	ALIMENTATORE LAMPADA LED MW LPHC18-350MA
THE007	74700954	REGOL.VELOCITA TECNEL TE7310.3/M
UCE001	74861586	UCE NT6226GK MBP CSCR R404A DROP-IN 4/1
VLV001	74877107	VALVOLA TLE-1.5 R404A MOP 0 HONEYWEL
WHE001	74708011	RUOTA GEMELLATA DIAM. 50MM POLIAMMIDE
WIR001	73669908	ASS.Q.E REF.VENT.DROP-IN