



MUSTER 350

LIST OF THE EXPLODED VIEWS



SHELL ASSY

COOLING SYSTEM 2nd Version M350A - M350W - M350AW

COOLING SYSTEM 1st Version M350A/W - M350W

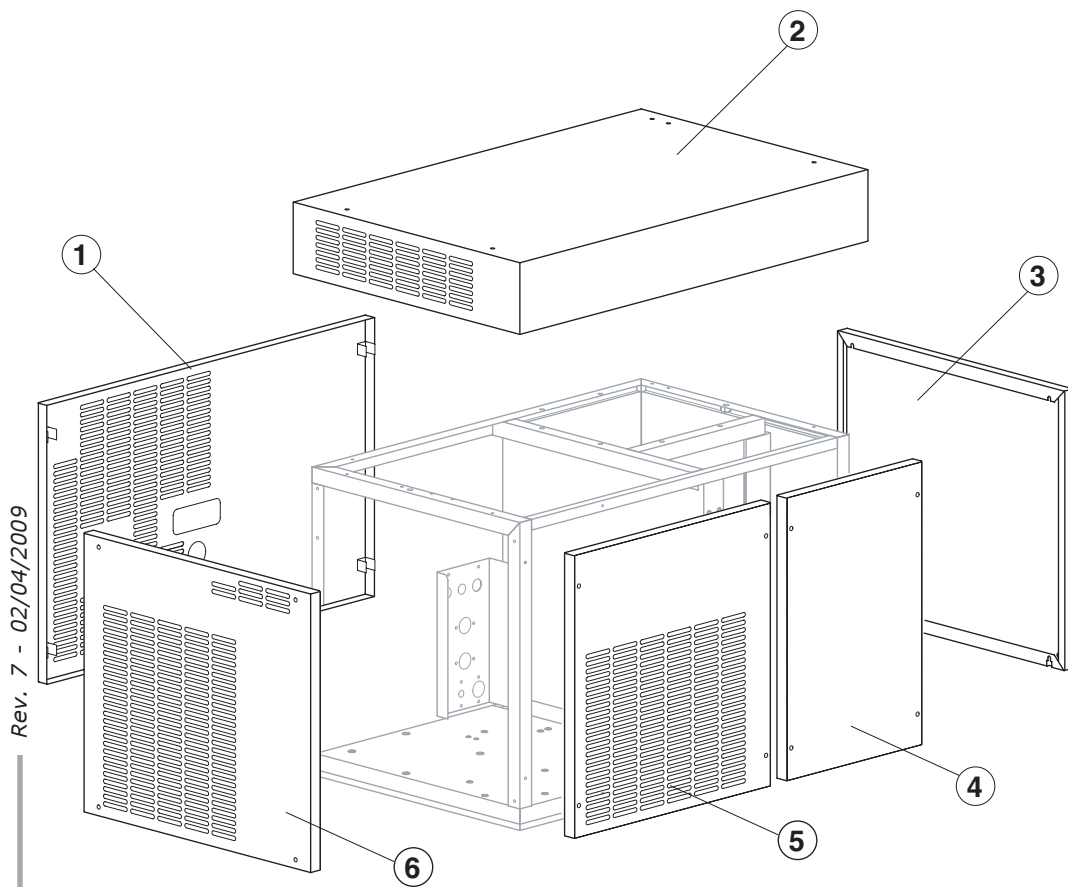
EVAPORATOR 2nd Version M350A - M350W - M350AW

EVAPORATOR 1st Version M350A/W - M350W

PUMP

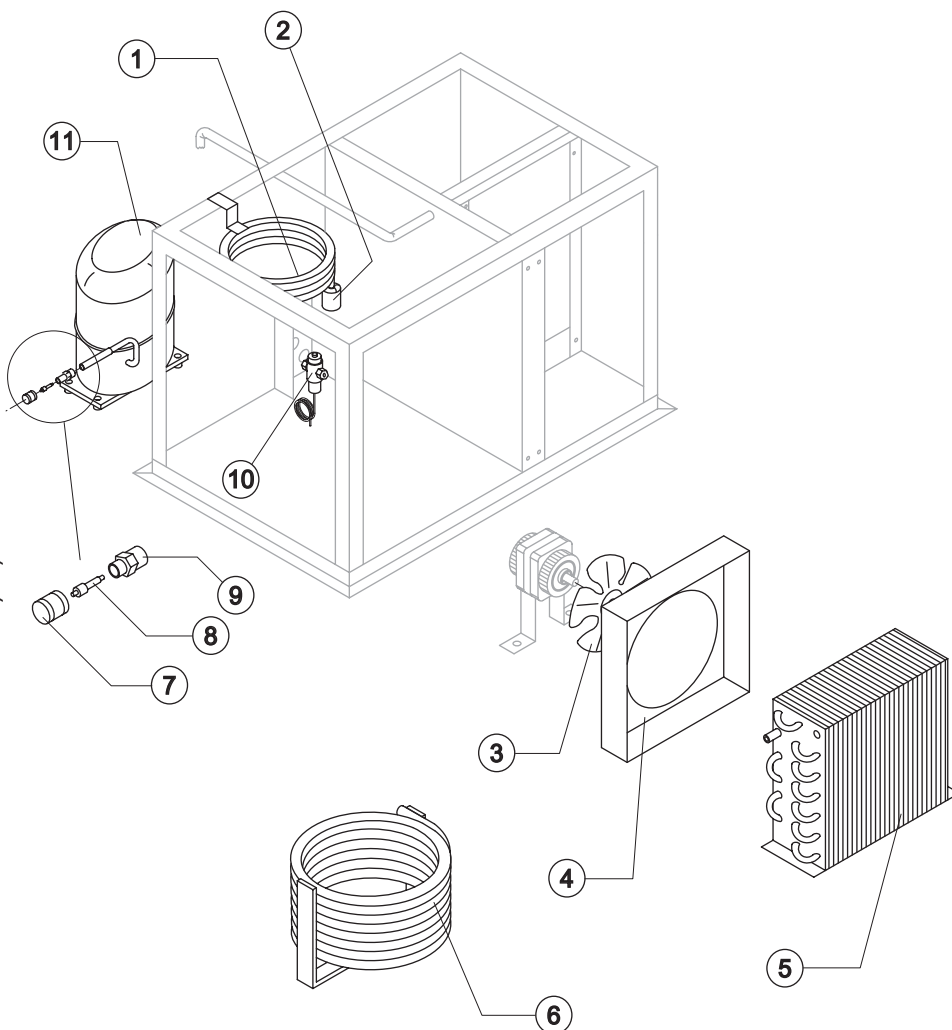
ELECTRIC PARTS 2nd Version M350A - M350W - M350AW

ELECTRIC PARTS 1st Version M350A/W - M350W



Rev. 7 - 02/04/2009

Ref.	Spare Description	Code
1	Rear Panel	22427
2	Top Assembly	C22422
3	Right Side Panel	22425
4	Front Panel Assy (Evaporator Side)	C22424B
5	Front Panel (Condenser Side)	C22423
6	Left Side Panel	22426



Common Parts

Ref.	Spare Description	Code
2	Solid Core Drier	14084
7	Vacuum-Charge Valve Plug	14006
8	Vacuum-Charge Valve Device	14005
9	Vacuum-Charge Valve Body	14007
10	Presostat Valve	20149
11	Compressor	See Table -

Parts for Water-Cooled Version Only

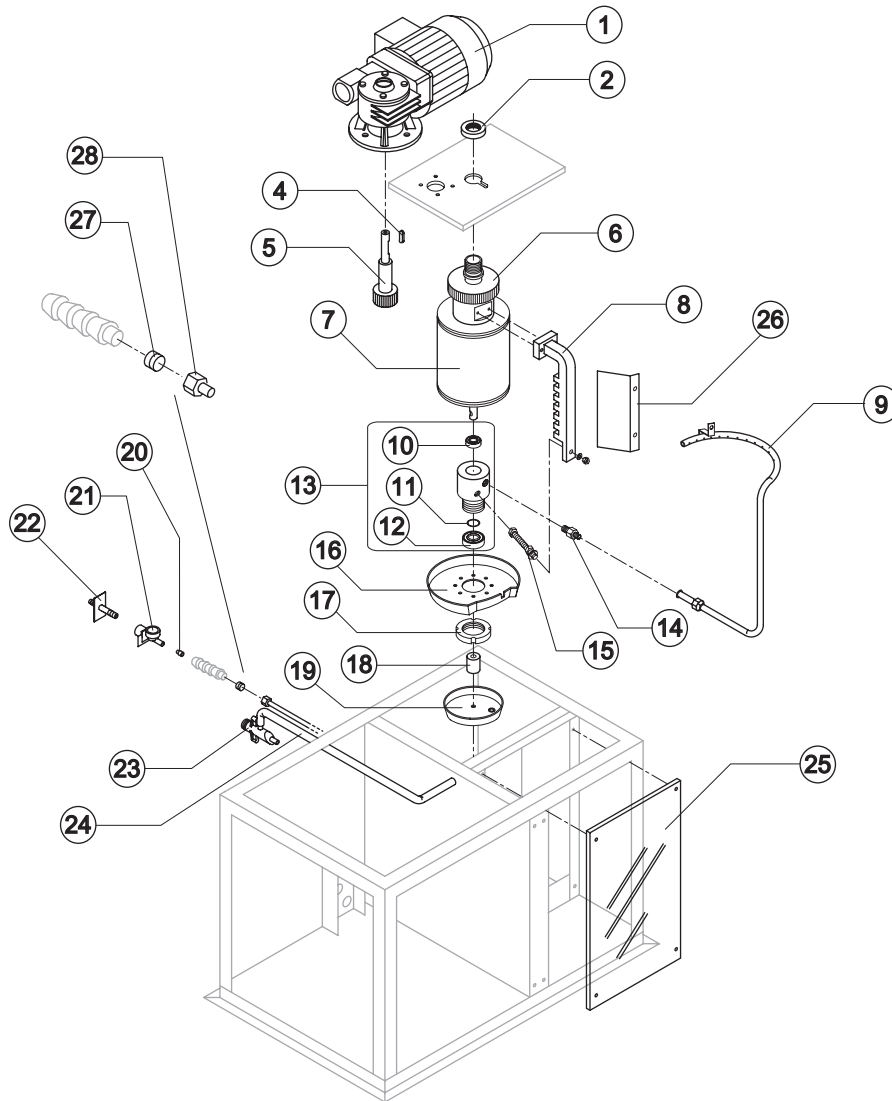
Ref.	Spare Description	Code
3	Sucking Fan	20095
6	Water Condenser	14285

Parts for Mixed Cooled Version Only

Ref.	Spare Description	Code
1	Water Condenser	14014
3	Sucking Fan	20153
4	Conveyor	10238
5	Air Condenser	Current Version 20651
5	Air Condenser	Till s/n. 43383 20148

Ref. 11- Compressor

Tension		Code
T11	Current Version	23514
T11	Till s/n. 34204	23448
T12	Current Version	23515
T12	Till s/n. 33908	23460
T14		23564
T15	Current Version	23516
T15	Till s/n. 34204	23450
T16		23564



Common Parts

Ref.	Spare Description	Code
1	Gearmotor Assy	C23363
2	Cylinder Locking Ring Nut	20324
4	Key 6x6x40	20350
5	Pinion with Shaft for Gearmotor	C20344
6	Ring Gear	20354
7	Evaporator	KITNEVM350
8	Scraper	20330
9	Sprayer Ring	C20319
10	Stainless Steel Upper Bearing	20531
11	Silicone OR 4081 Ring	20338
12	Stainless Steel Bearing	20045
13	Complete Rotating Ring	C10180
14	Joint	20335
15	M8 Tie Rod (to Block Scraper)	20329
16	Rotating Basin	10184
17	Ring Nut for Rotating Ring	10182
18	Spacer	20321
19	Fixed Basin	C10185
21	1 Way- Water Inlet Nipple	10239
24	Overflow Pipe	13082
25	Evaporator Chamber Shield	10187
26	Baffle Plate	10421
27	Bush	20405
28	Nut	20404

Parts for Air-Cooled Version Only

Ref.	Spare Description	Code
22	Connection with Plate	C20462
23	Discharges Manifold	C10052

Parts for Mixed Cooled Version Only

Ref.	Spare Description	Code
20	Lt. 1,2 Flow Control for Water Inlet Connector	10011
23	Discharges Manifold	C10053

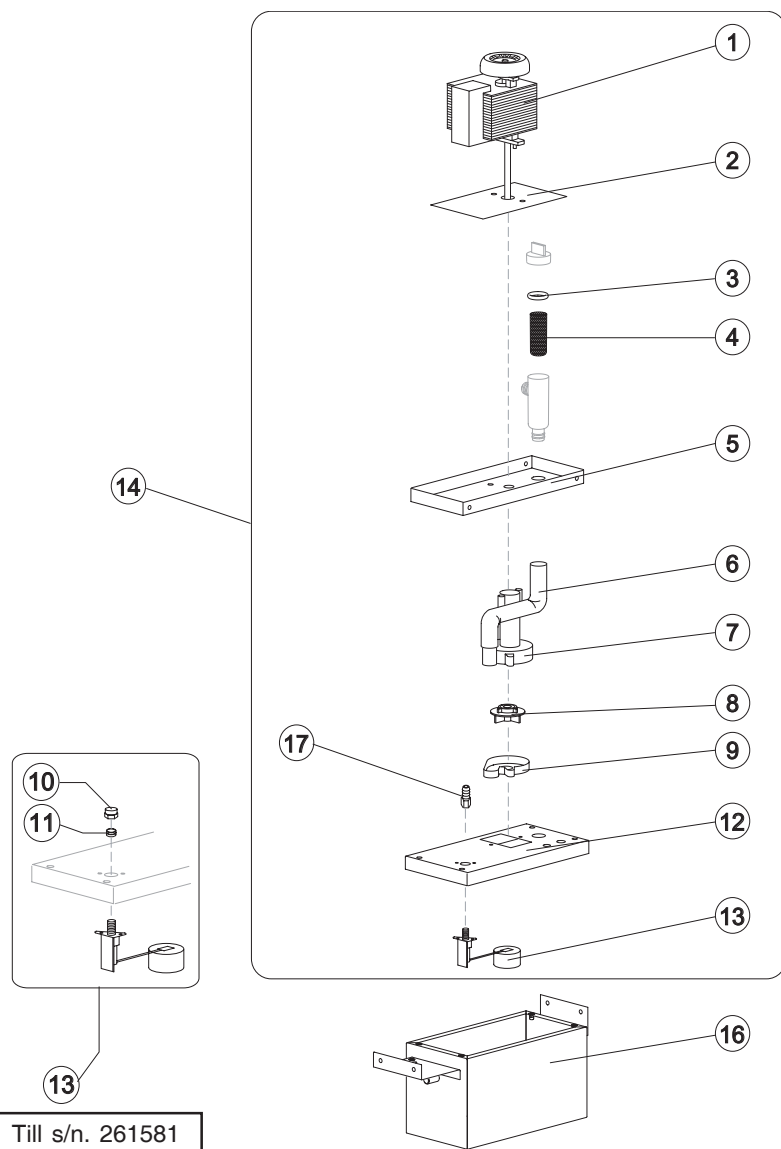


MUSTER 350

2nd Version M350A - M350W - M350A/W

1st Version M350A/W - M350W

PUMP



Ref.	Spare Description	Code
1	Pump	See Table -
2	Heat Dissipator	22430
3	Pump Filter Gasket	13080
4	Filtering Element	20254
5	Pump Motor Support	10161
6	Pump-Filter Connection Pipe	13084
7	Pump Body	10065
8	Pump Impeller	10190
9	Diffusor	10067
10	Nut	Till s/n. 261581 20404
11	Bush	Till s/n. 261581 20405
12	Water Pump Basin Cover	22420
13	Floating Valve	Current Version 10188
13	Floating Valve Assy	Till s/n. 261581 C10188
14	Pump and Filter Assy	See Table -
16	Water Pump Basin	C22419
17	Connection	20799

Ref. 1 - Pump Motor

Tension	Code
T11	23073
T12	23187
T14	23073
T15	23073
T16	23187

Ref. 14 - Pump and Filter Assy

Tension	Code	Till s/n. 377385
T11	C26736	C26557
T12	C26737	C26713
T14	C26736	C26557
T15	C26736	C26557
T16	C26737	C26713



Ref. 14 - For ice-makers with s/n. before 261582 ask also the Nut (ref. 10) and the Bush (ref. 11).



Common Parts

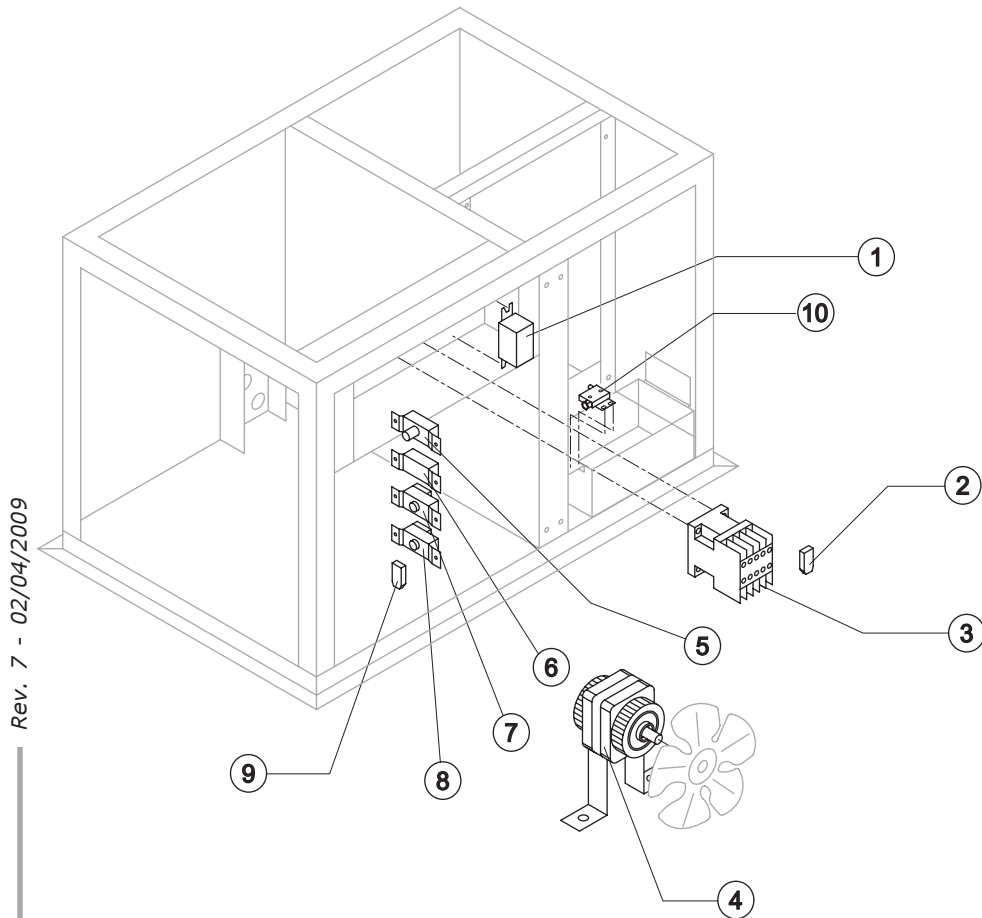
Ref.	Spare Description	Code
1	Relay	23190
2	Anti Radio Interference Filter T11 and T15	C23458
3	Contactors	23147
5	Safety Pressure Switch (Maximum Pressure)	23342
7	Safety Thermostat	R23447
8	Bin Thermostat	R23421
10	Microswitch for Overflow Ice	23373

Parts for Water-Cooled Version Only

Ref.	Spare Description	Code
4	Fan Motor	23029

Parts for Mixed Cooled Version Only

Ref.	Spare Description	Code
4	Fan Motor	23121
6	Condenser Pressure Switch	23175
9	Anti Radio Interference Filter T11 and T15	C23459



Rev. 7 - 02/04/2009