

# DISHWASHER

ELECTROMECHANICAL SWITCHES  
LOWER AND UPPER WASHING  
INSULATED MODEL

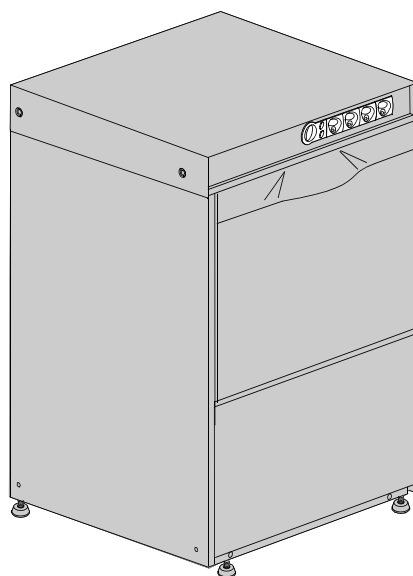
TYPE: 295U

Accessories  
BREAK TANK  
BOOSTER PUMP  
DVGW  
COLD RINSE  
WATER SOFTNER  
DETERGENT DISPENSER  
DRAIN PUMP

---

## Spare Parts Manual

---



## INFORMAZIONI GENERALI

Questo catalogo serve per richiedere con esattezza le parti di ricambio

Nelle ordinazioni indicare:

1) il numero dei codici dei particolari seguito dalla descrizione e la quantità desiderata;

2) Il codice alfa-numerico presente nella seconda colonna della tabella ;

**I disegni delle parti di ricambio sono solo indicativi e non rappresentano il pezzo in oggetto.**

**I dati contenuti in questo catalogo sono indicativi e possono essere soggetti a modifiche senza impegno di preavviso.**

## ALLGEMEINE INFORMATIONEN

Dieser Ersatzteilkatalog dient zur genauen Angabe der Teile bei Ersatzteilbestellungen.

Bei Ersatzbestellung ist folgendes anzugeben:

1) Die Bestellnummer der Ersatzteile mit der entsprechenden Beschreibung genaue Menge;

2) Der alpha-numerischer Code auf der zweiten Reihe in dein Spalte;

**Die Zeichnungen der Ersatzteile sind nur als Hinweise gedacht und stellen nicht das betroffene Teil dar.**

**Bei den im Katalog angeführten Daten handelt es sich um Anhaltsdaten, die jederzeit, ohne Vorankündigung, geändert werden können.**

## GENERAL INFORMATION

The present spare parts order exactly the right spare parts

When ordering specify:

1) the part's code number followed by its description and quantity needed;

2) The alpha-numeric code is in the second column in the chart;

**Spare parts drawings are general and do not represent the part.**

**The contents of this catalogue are general and can undergo changes without prior notice.**

## INFORMACIONES GENERALES

El presente catálogo sirve para pedir con exactitud las partes de repuesto

En los pedidos se debe indicar:

1) el número de código de la parte y a continuación la descripción cantidad deseada;

2) El código alfanumerico presente en la signada columna de la tabla;

**Los diseños de las partes de recambio son solo indicativos y no representan la pieza en cuestión.**

**Los datos contenidos en el presente catálogo son indicativos y pueden modificarse sin aviso previo.**

## INFORMATIONS GENERALES

Ce catalogue permet de commander correctement les pièces détachées

Les commandes doivent être passées en indiquant:

1) le numero de code des pièces détachées suivi de leur description quantité désirée;

2) le code alphanumérique dans la deuxième colonne du tableau;

**Les plans des pièces détachées sont fournis seulement à titre indicatif et ne représentent pas la pièce concernée.**

**Les données de ce catalogue sont citées seulement à titre indicatif et peuvent être l'objet de modifications sans avis préalable.**

ESEMPIO  
EXAMPLE  
EXEMPLE  
BEISPIEL

| Rif.               | Codici  |
|--------------------|---------|
| MODULE:Particolari |         |
| 10505              | 540903  |
| 10510              | 540908  |
| 10515              | 15065/A |
| 10520              | 540086  |
| 10525              | 540028  |

**Note**

Tutte le informazioni riportate si intendono aggiornate alla data di stampa. Il Produttore si riserva il diritto di apportare qualsiasi modifica richiesta dallo sviluppo evolutivo dei suddetti prodotti.

Per la sicurezza, la garanzia, l'affidabilità ed il valore della lavastoviglie usa solo ricambi originali. **Per alcuni codici, sono richieste quantità minime d'ordine.**

**Attenzione**

Questo libretto è parte integrante della lavastoviglie e, in caso di passaggio di proprietà, deve essere consegnato al nuovo acquirente.

**Remarque**

Toutes les informations contenues dans ce manuel s'entendent mises à jour à la date d'impression. En raison du développement constant de ses produits, usine se réserve le droit d'apporter à tout instant les modifications qu'elle jugera utiles.

Pour la sécurité, la garantie, la fiabilité et la valeur de votre lavevaisselles n'utilisez que des pièces de rechange d'origine. **Pour quelque référence on demande un minimum de pièces par commande**

**Attention**

Ce manuel doit être considéré comme partie intégrante de la la lavevaisselles, en cas de transfert de propriété, doit toujours être remis au nouveau propriétaire.

**Note**

The information contained herein is valid at the time of going to print. The Company reserves the right to make any changes required by the future development of the above-mentioned products.

For your safety, as well as to preserve the warranty reliability and worth of your dishwashers, use original spare parts only. **For some codes a minimum quantity for order is required.**

**Warning**

This manual forms an integral part of the dishwashers and - if a transfer of title occurs - must always be handed over to the new owner.

**Hinweis**

Die Der Hersteller behält sich das Recht vor, jegliche, durch eine Weiterentwicklung der genannten Produkte bedingte Änderungen vornehmen zu können.

Verwenden Sie für Ihre Sicherheit, die Garantie, die Zuverlässigkeit und den Wert Ihrer machine originale Ersatzteile. **Für bestimmte Code nummer werden mindesten bestellungen verlangt.**

**Achtung**

Diese Betriebsanleitung ist Bestandteil des machine und muss bei seinem Weiterverkauf dem neuen Besitzer ausgehändigt werden.



---

**Code** 999XYYYY **CL/Part**

**Model DESCRIPTION** 

**S/N** 04012345 **Type** .....

400VAC3N 50HZ 8A  
3500W 500W

 16A

**IPX3**

Pressione Dinamica alimentazione idrica **200-500**  
 Pression dynamique arrivee d'eau  
 Dynamic pressure water supply  
 Dymanischer Druck asserreinlauf

Pressione dinamica vapore saturo  
 Pression dynamique vapeur satueeè  
 Dymanischer Druck gesattigter Dampf  
 Pression Dinamica Vapor Saturado

**TECHICAL SPECIFICATION**

**MADE IN ITALY**

Temperatura massima acqua in ingresso **60°C**  
 Temperature max eau a l'entre  
 Maximale Temperatur Wasseranschlu  
 Maximum Water temperature in-feeding

---

Model 

S/N 

**CODE 999 XX YYYY**

FAMIGLIA PRODOTTO  
 FAMILY PRODUCT  
 FAMILLE DU PRODUIT  
 FAMILIA PRODUCTO  
 FAMILIE DES PRODUKTES

CODICE MODELLO  
 CODE MODEL  
 CODE ARTICLE  
 CODIGO MODELO  
 KODE VON MODELL

**S/N 04 012345**

ANNO  
 YEAR  
 ANNÉE  
 AN<sup>o</sup>  
 JAHR

NUMERO DI SERIE  
 SERIAL NUMBER  
 NUMÉRO DI SÉRIE  
 NUMERO DI SERIE  
 SERIENNUMMER



## 1. Spare parts

|   |           |
|---|-----------|
| <b>General body parts.....</b>          | <b>7</b>  |
| <b>Lockup system .....</b>              | <b>9</b>  |
| <b>Control panel and switches.....</b>  | <b>11</b> |
| <b>Electric control components.....</b> | <b>13</b> |
| <b>Solenoid valve group .....</b>       | <b>15</b> |
| <b>Solenoid valve group .....</b>       | <b>17</b> |
| <b>Break Tank .....</b>                 | <b>19</b> |
| <b>Booster pump.....</b>                | <b>21</b> |
| <b>DVGW .....</b>                       | <b>23</b> |
| <b>Water softner group.....</b>         | <b>25</b> |
| <b>Rinse aid dispenser group.....</b>   | <b>27</b> |
| <b>Rinse aid dispenser group.....</b>   | <b>29</b> |
| <b>Boiler group .....</b>               | <b>31</b> |
| <b>3 ways connection .....</b>          | <b>33</b> |
| <b>Wash pump .....</b>                  | <b>35</b> |
| <b>Dosing detergent group.....</b>      | <b>37</b> |

---

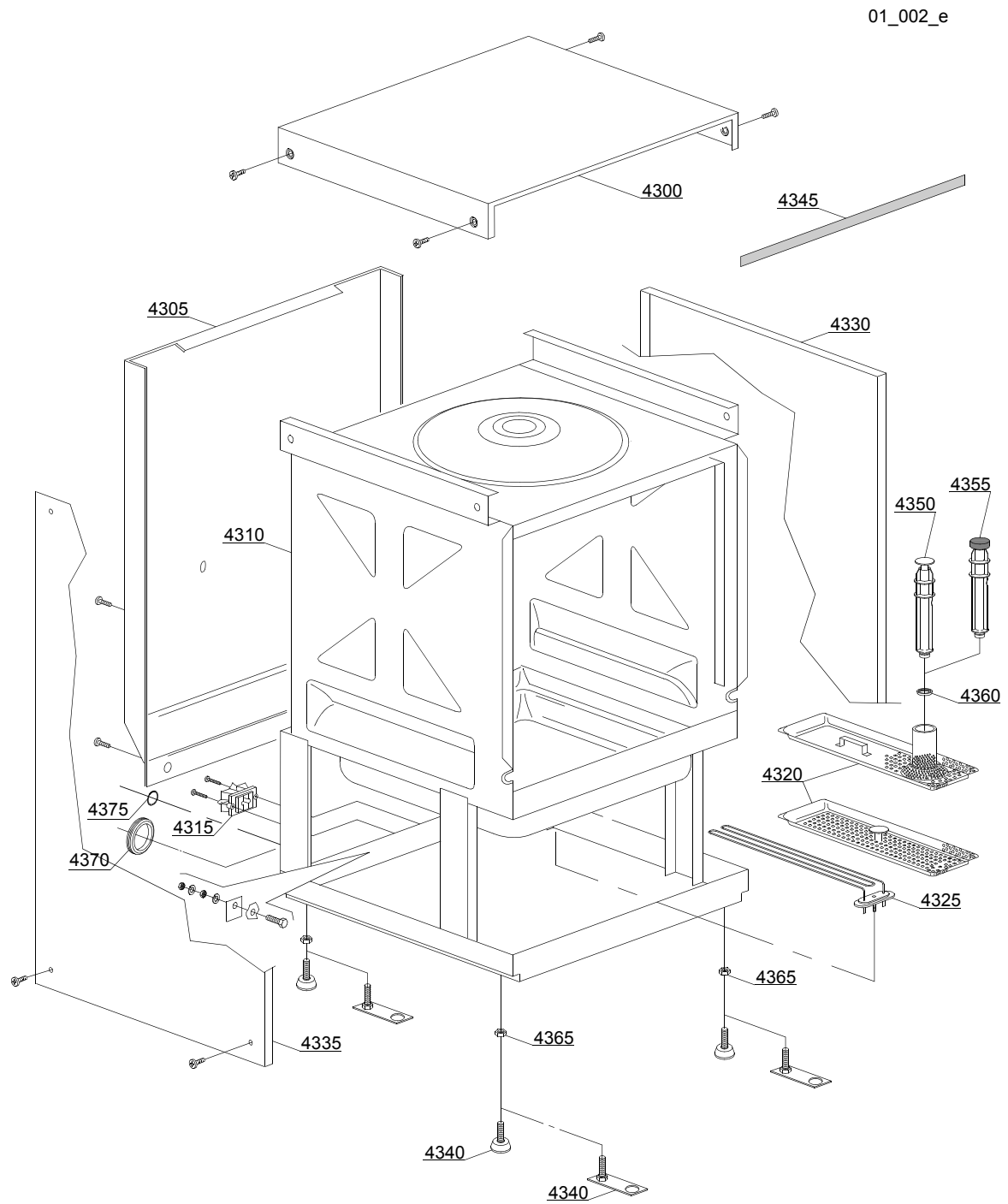
|  |           |
|--|-----------|
| <b>Drain pump group.....</b>                   | <b>39</b> |
| <b>Pressure switch group with air trap ...</b> | <b>41</b> |
| <b>Turret group with rotating arms .....</b>   | <b>43</b> |

## 1.1 Voltage codes

| Volt | Voltage code            |
|------|-------------------------|
| A    | 3/N/PE~380-400V 50-60Hz |
| D    | 3/PE~200-210V 50-60Hz   |
| F    | 2/PE~220-240V 50-60Hz   |
| G    | 3/N/PE~415V 50-60Hz     |
| H    | 3/PE~220-230V 50-60Hz   |
| K    | 3/PE~380-400V 50-60Hz   |
| L    | 3/PE~415V 50-60Hz       |
| M    | 3/PE~440V 60Hz          |
| P    | 1/N/PE~220-230V 50-60Hz |
| R    | 2/PE~220-240V 50-60Hz   |
| U    | 1/N/PE~240V 50-60Hz     |
| V    | 3/PE~240V 50-60Hz       |
| W    | 1/N/PE~100-110V 50-60Hz |

## 1.2 Product codes

| Product code    | Full name                  |
|-----------------|----------------------------|
| Model codes     |                            |
| em              | ELECTROMECHANICAL SWITCHES |
| uw              | LOWER AND UPPER WASHING    |
| i               | INSULATED MODEL            |
| Type codes      |                            |
| 295U            | 295U                       |
| Accessory codes |                            |
| bt              | BREAK TANK                 |
| bp              | BOOSTER PUMP               |
| dvgw            | DVGW                       |
| cr              | COLD RINSE                 |
| ws              | WATER SOFTNER              |
| dd              | DETERGENT DISPENSER        |
| dp              | DRAIN PUMP                 |





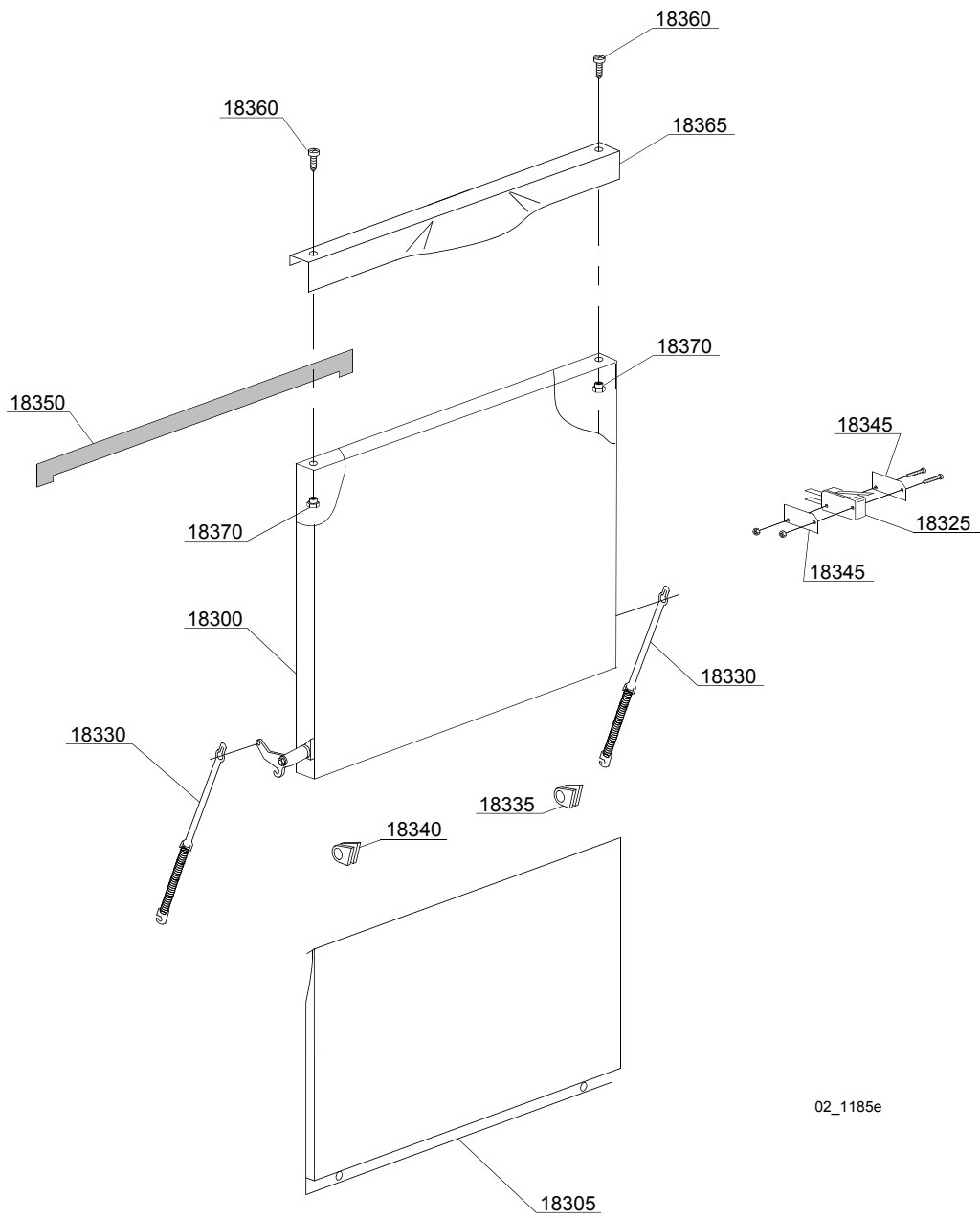
## Spare parts

| ID                               | P-code  | SN from | SN to | Mod. | Acces. | Volt | Description                                   |
|----------------------------------|---------|---------|-------|------|--------|------|---|
| <b>Module:General body parts</b> |         |         |       |      |        |      |   |
| 4300                             | 560917  |         | -     | i    |        |      | Cover   |
| 4305                             | 560919  |         | -     | i    |        |      | Back panel                                    |
| 4305                             | 560938  |         | -     | i    | bt     |      | Back panel                                    |
| 4310                             | 560900  |         | -     | i    |        |      | Body  |
| 4310                             | 560928  |         | -     |      | ws     |      | Body  |
| 4315                             | 15065/A |         | -     | i    |        |      | Cable-fastener with screw                     |
| 4320                             | 560925  |         | -     | i    |        |      | Surface filter                                |
| 4325                             | 150047  |         | -     | i    |        |      | 2,7/2,94KW 230/240V heating element           |
| 4330                             | 560914  |         | -     | i    |        |      | Right side                                    |
| 4335                             | 560915  |         | -     | i    |        |      | Left side                                     |
| 4340                             | 10786   |         | -     | i    |        |      | M10x25 Ø40 black foot (minimum 4 pieces)      |
| 4340                             | 15176   |         | -     | i    |        |      | M10 marina foot                               |
| 4345                             | 560021  |         | -     | i    |        |      | Profile for door O-ring                       |
| 4350                             | 500619  |         | -     | i    |        |      | H=213mm Overflow pipe                         |
| 4355                             | 560020  |         | -     | i    | dp     |      | Drain pump Overflow pipe                      |
| 4360                             | 13021   |         | -     | i    |        |      | DEM 40 O-ring (minimum 2 pieces)              |
| 4365                             | 11711   |         | -     | i    |        |      | M10 zinc plated nut (minimum 20 pieces)       |
| 4370                             | 13317   |         | -     | i    |        |      | D.40mm unloading pipe pass (minimum 2 pieces) |
| 4375                             | 13323   |         | -     | i    |        |      | D.13mm dosing pipe pass (minimum 2 pieces)    |

em=ELECTROMECHANICAL SWITCHES, uw=LOWER AND UPPER WASHING, i=INSULATED MODEL  
295U=295U

bt=BREAK TANK, bp=BOOSTER PUMP, dvgw=DVGW, cr=COLD RINSE, ws=WATER SOFTNER, dd=DETERGENT DISPENSER, dp=DRAIN PUMP

A=3/N/PE~380-400V 50-60Hz, D=3/PE~200-210V 50-60Hz, F=2/PE~220-240V 50-60Hz, G=3/N/PE~415V 50-60Hz, H=3/PE~220-230V 50-60Hz, K=3/PE~380-400V 50-60Hz, L=3/PE~415V 50-60Hz, M=3/PE~440V 60Hz, P=1/N/PE~220-230V 50-60Hz, R=2/PE~220-240V 50-60Hz, U=1/N/PE~240V 50-60Hz, V=3/PE~240V 50-60Hz, W=1/N/PE~100-110V 50-60Hz



02\_1185e

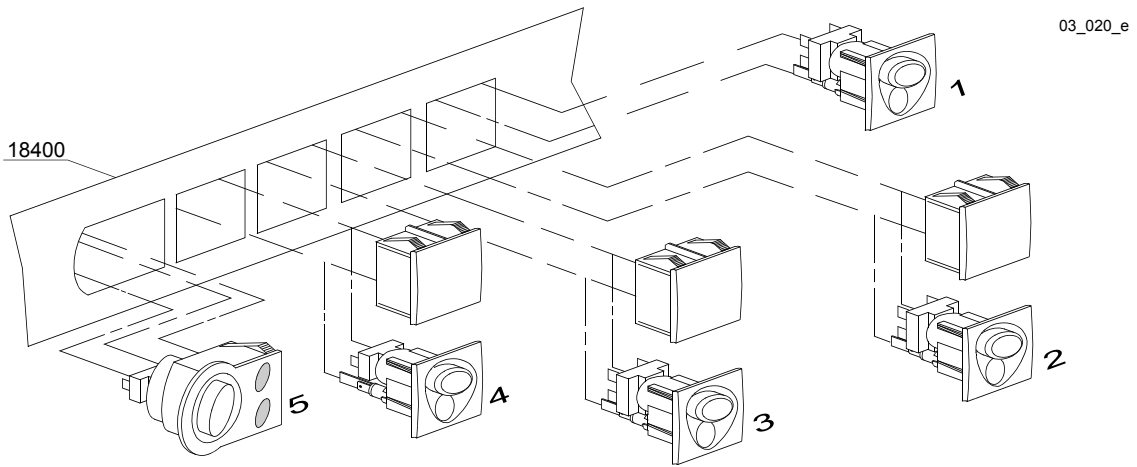
## Spare parts

| ID                           | P-code | SN from | SN to | Mod. | Acces. | Volt | Description  |
|------------------------------|--------|---------|-------|------|--------|------|--|
| <b>Module: Lockup system</b> |        |         |       |      |        |      |  |
| 18300                        | 560963 |         | -     |      |        |      | Door   |
| 18305                        | 560920 |         | -     |      |        |      | Lower door   |
| 18325                        | 10704  |         | -     |      |        |      | Door microswitch                                   |
| 18330                        | 560003 |         | -     |      |        |      | Door spring  |
| 18335                        | 560006 |         | -     |      |        |      | Right lock for door hinge (minimum 2 pieces)       |
| 18340                        | 560007 |         | -     |      |        |      | Left lock for door hinge (minimum 2 pieces)        |
| 18345                        | 10770  |         | -     |      |        |      | Insulation for door microswitch (minimum 3 pieces) |
| 18350                        | 560021 |         | -     |      |        |      | Profile for door O-ring                            |
| 18360                        | 11225  |         | -     |      |        |      | M4x6 Inox Screw                                    |
| 18365                        | 560959 |         | -     |      |        |      | Stainless steel door                               |
| 18370                        | 11226  |         | -     |      |        |      | M4 inox Plated nut                                 |

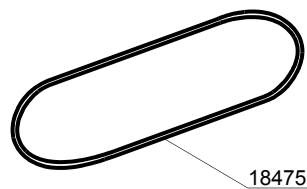
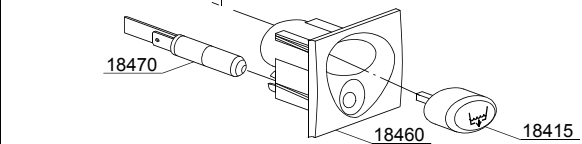
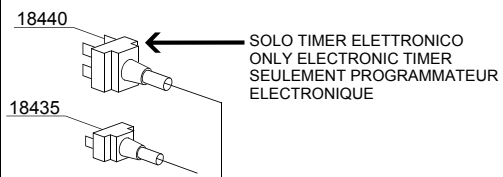
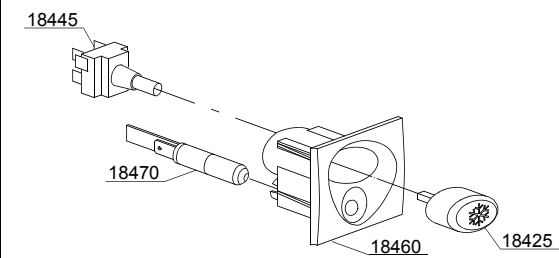
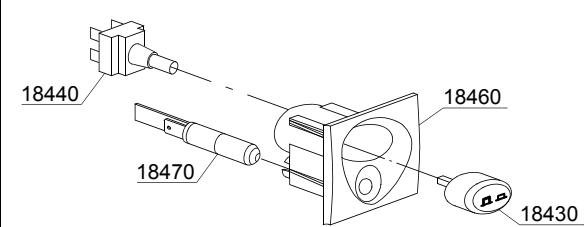
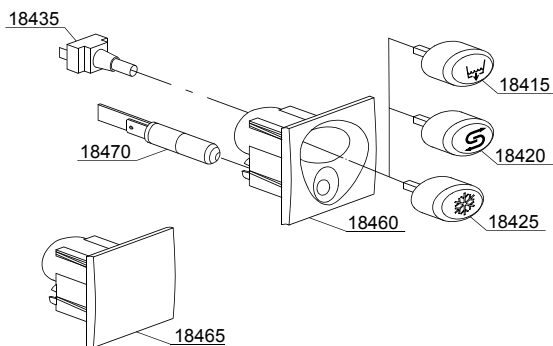
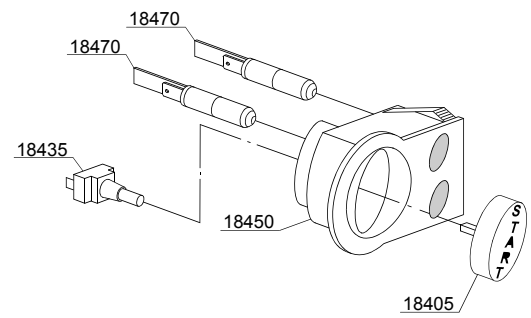
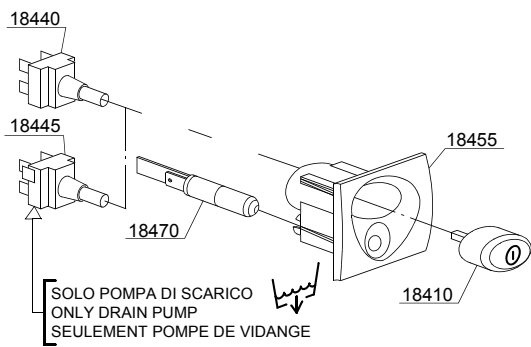
em=ELECTROMECHANICAL SWITCHES, uw=LOWER AND UPPER WASHING, i=INSULATED MODEL  
295U=295U

bt=BREAK TANK, bp=BOOSTER PUMP, dvgw=DVGW, cr=COLD RINSE, ws=WATER SOFTNER, dd=DETERGENT DISPENSER, dp=DRAIN PUMP

A=3/N/PE~380-400V 50-60Hz, D=3/PE~200-210V 50-60Hz, F=2/PE~220-240V 50-60Hz, G=3/N/PE~415V 50-60Hz, H=3/PE~220-230V 50-60Hz, K=3/PE~380-400V 50-60Hz, L=3/PE~415V 50-60Hz, M=3/PE~440V 60Hz, P=1/N/PE~220-230V 50-60Hz, R=2/PE~220-240V 50-60Hz, U=1/N/PE~240V 50-60Hz, V=3/PE~240V 50-60Hz, W=1/N/PE~100-110V 50-60Hz



03\_020\_e



## Spare parts

| ID                                       | P-code  | SN from | SN to | Mod. | Acces. | Volt | Description                      |
|--|---------|---------|-------|------|--------|------|----------------------------------|
| <b>Module:Control panel and switches</b> |         |         |       |      |        |      |                                  |
| 18400                                    | 560961  |         | -     | em   |        |      | Control panel                    |
| 18405                                    | 89347   |         | -     | em   |        |      | Start push button                |
| 18410                                    | 89340   |         | -     | em   |        |      | ON-OFF push button               |
| 18415                                    | 89343   |         | -     | em   | dp     |      | Drain pump push button           |
| 18420                                    | 89345   |         | -     | em   | ws     |      | Regeneration push button         |
| 18425                                    | 89344   |         | -     | em   | cr     |      | Hot/cold push button             |
| 18430                                    | 89342   |         | -     | em   |        |      | Time selector switch push button |
| 18435                                    | 15813   |         | -     | em   |        |      | 16A unipolar switch              |
| 18440                                    | 15812   |         | -     | em   |        |      | 16A switch                       |
| 18440                                    | 15800   |         | -     | em   |        |      | 16A bipolar switch               |
| 18445                                    | 15811   |         | -     | em   |        |      | 16A bipolar switch               |
| 18445                                    | 15811/A |         | -     | em   |        |      | 16A bipolar switch               |
| 18450                                    | 89301   |         | -     | em   |        |      | Start push button support        |
| 18455                                    | 89304   |         | -     | em   |        |      | Push button support              |
| 18460                                    | 89302   |         | -     | em   |        |      | Push button support              |
| 18465                                    | 89303   |         | -     | em   |        |      | Closed support                   |
| 18470                                    | 15826   |         | -     | em   |        |      | Pilot light 220V                 |
| 18475                                    | 89333   |         | -     | em   |        |      | OR O-ring (minimum 3 pieces)     |

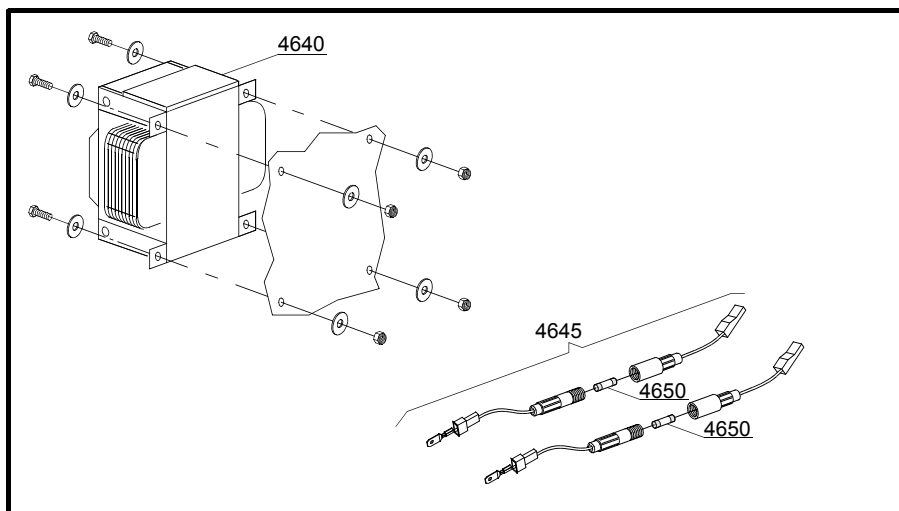
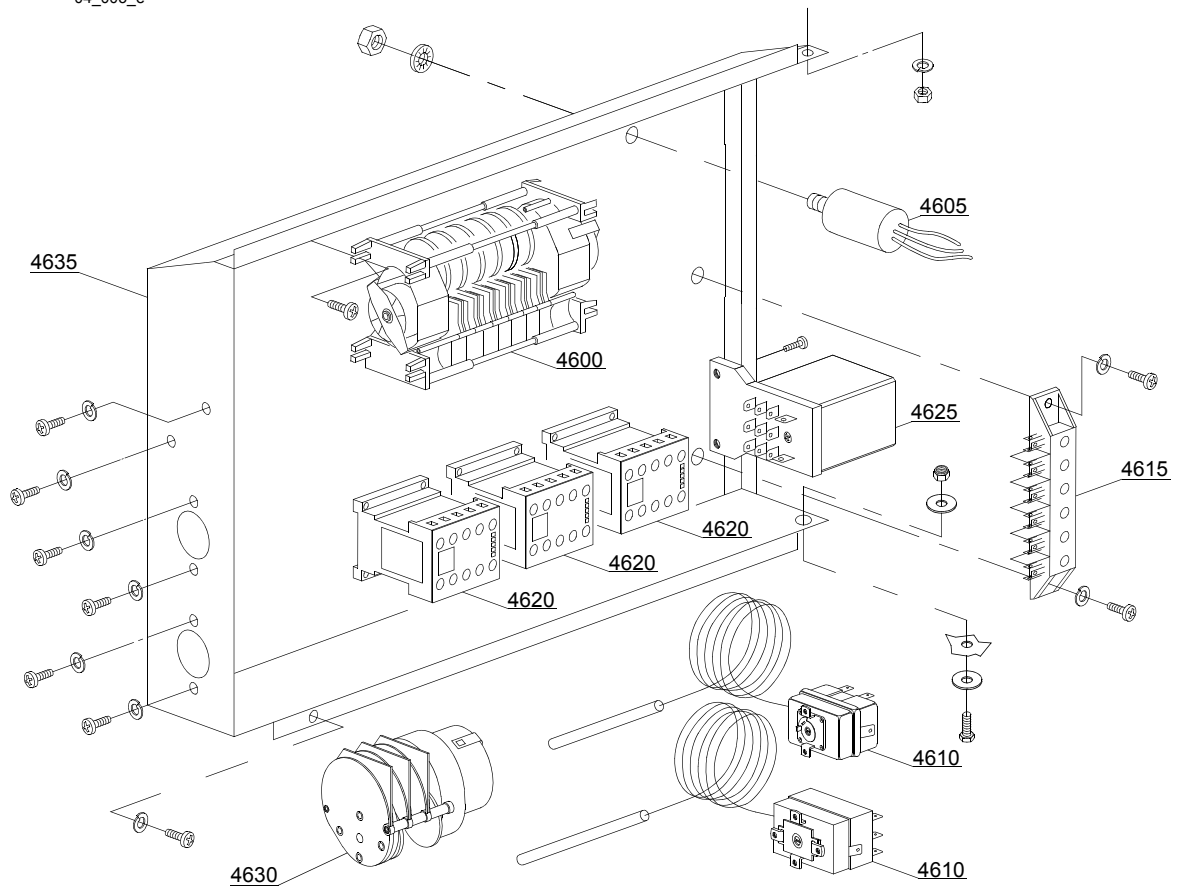
em=ELECTROMECHANICAL SWITCHES, uw=LOWER AND UPPER WASHING, i=INSULATED MODEL

295U=295U

bt=BREAK TANK, bp=BOOSTER PUMP, dvgw=DVGW, cr=COLD RINSE, ws=WATER SOFTNER, dd=DETERGENT DISPENSER, dp=DRAIN PUMP

A=3/N/PE~380-400V 50-60Hz, D=3/PE~200-210V 50-60Hz, F=2/PE~220-240V 50-60Hz, G=3/N/PE~415V 50-60Hz, H=3/PE~220-230V 50-60Hz, K=3/PE~380-400V 50-60Hz, L=3/PE~415V 50-60Hz, M=3/PE~440V 60Hz, P=1/N/PE~220-230V 50-60Hz, R=2/PE~220-240V 50-60Hz, U=1/N/PE~240V 50-60Hz, V=3/PE~240V 50-60Hz, W=1/N/PE~100-110V 50-60Hz

04\_003\_e



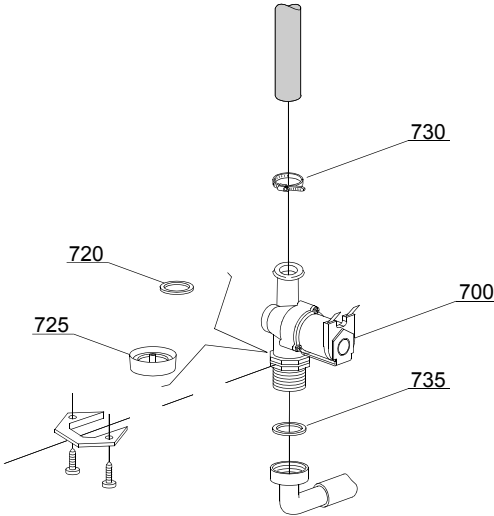
## Spare parts

| ID  | P-code   | SN from | SN to | Mod. | Acces. | Volt | Description                                  |
|---|----------|---------|-------|------|--------|------|--|
| <b>Module:Electric control components</b> |          |         |       |      |        |      |  |
| 4600                                      | 30001031 |         | -     | i    |        | A    | 120/180" timer with thermostop - 230Vac 50Hz |
| 4600                                      | 30001032 |         | -     | i    |        |      | 120/180" - 230V 60Hz timer with thermostop   |
| 4605                                      | 15149    |         | -     | i    |        |      | Low noise filter                             |
| 4605                                      | 15187    |         | -     | i    |        |      | Low noise filter                             |
| 4610                                      | 10707/1  |         | -     | i    |        |      | 0-90°C thermostat                            |
| 4615                                      | 500551   |         | -     | i    |        |      | 6 poles terminal board                       |
| 4620                                      | 15086    |         | -     | i    |        |      | Contactora 230V 50/60Hz 4C                   |
| 4620                                      | 15086/B  |         | -     | i    |        |      | Contactora 240V 50Hz                         |
| 4625                                      | 15620    |         | -     | i    | ws     |      | 16A bipolar relay in deviation               |
| 4630                                      | 16064/A  |         | -     | i    | ws     |      | Regeneration timer                           |
| 4635                                      | 560921   |         | -     | i    |        |      | Electric components panel                    |
| 4640                                      | 15381    |         | -     | i    |        |      | 160Va transformer 0-230-400-415-440/230V     |
| 4645                                      | 15147    |         | -     | i    |        |      | Fuse-holder                                  |
| 4650                                      | 15163    |         | -     | i    |        |      | Fuse (minimum 5 pieces)                      |

em=ELECTROMECHANICAL SWITCHES, uw=LOWER AND UPPER WASHING, i=INSULATED MODEL  
295U=295U

bt=BREAK TANK, bp=BOOSTER PUMP, dvgw=DVGW, cr=COLD RINSE, ws=WATER SOFTNER, dd=DETERGENT DISPENSER, dp=DRAIN PUMP

A=3/N/PE~380-400V 50-60Hz, D=3/PE~200-210V 50-60Hz, F=2/PE~220-240V 50-60Hz, G=3/N/PE~415V 50-60Hz, H=3/PE~220-230V 50-60Hz, K=3/PE~380-400V 50-60Hz, L=3/PE~415V 50-60Hz, M=3/PE~440V 60Hz, P=1/N/PE~220-230V 50-60Hz, R=2/PE~220-240V 50-60Hz, U=1/N/PE~240V 50-60Hz, V=3/PE~240V 50-60Hz, W=1/N/PE~100-110V 50-60Hz



05\_002\_e



## Spare parts

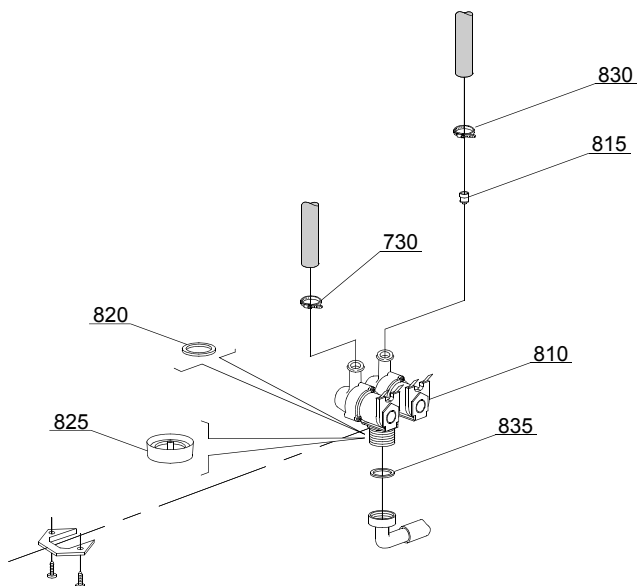
| ID                                 | P-code | SN from | SN to | Mod. | Acces. | Volt | Description                    |
|------------------------------------|--------|---------|-------|------|--------|------|--------------------------------|
| <b>Module:Solenoid valve group</b> |        |         |       |      |        |      |                                |
| 700                                | 10703  |         | -     | i,em |        |      | Single solenoid valve - 230Vac |
| 720                                | N.C.   |         | -     | i,em |        |      | Pression reducing valve        |
| 730                                | 11807  |         | -     | i,em |        |      | 12/22 clamp (minimum 3 pieces) |
| 735                                | 13307  |         | -     | i,em |        |      | 3/4 gasket                     |

em=ELECTROMECHANICAL SWITCHES, uw=LOWER AND UPPER WASHING, i=INSULATED MODEL

295U=295U

bt=BREAK TANK, bp=BOOSTER PUMP, dvgw=DVGW, cr=COLD RINSE, ws=WATER SOFTNER, dd=DETERGENT DISPENSER, dp=DRAIN PUMP

A=3/N/PE~380-400V 50-60Hz, D=3/PE~200-210V 50-60Hz, F=2/PE~220-240V 50-60Hz, G=3/N/PE~415V 50-60Hz, H=3/PE~220-230V 50-60Hz, K=3/PE~380-400V 50-60Hz, L=3/PE~415V 50-60Hz, M=3/PE~440V 60Hz, P=1/N/PE~220-230V 50-60Hz, R=2/PE~220-240V 50-60Hz, U=1/N/PE~240V 50-60Hz, V=3/PE~240V 50-60Hz, W=1/N/PE~100-110V 50-60Hz



05\_003\_€

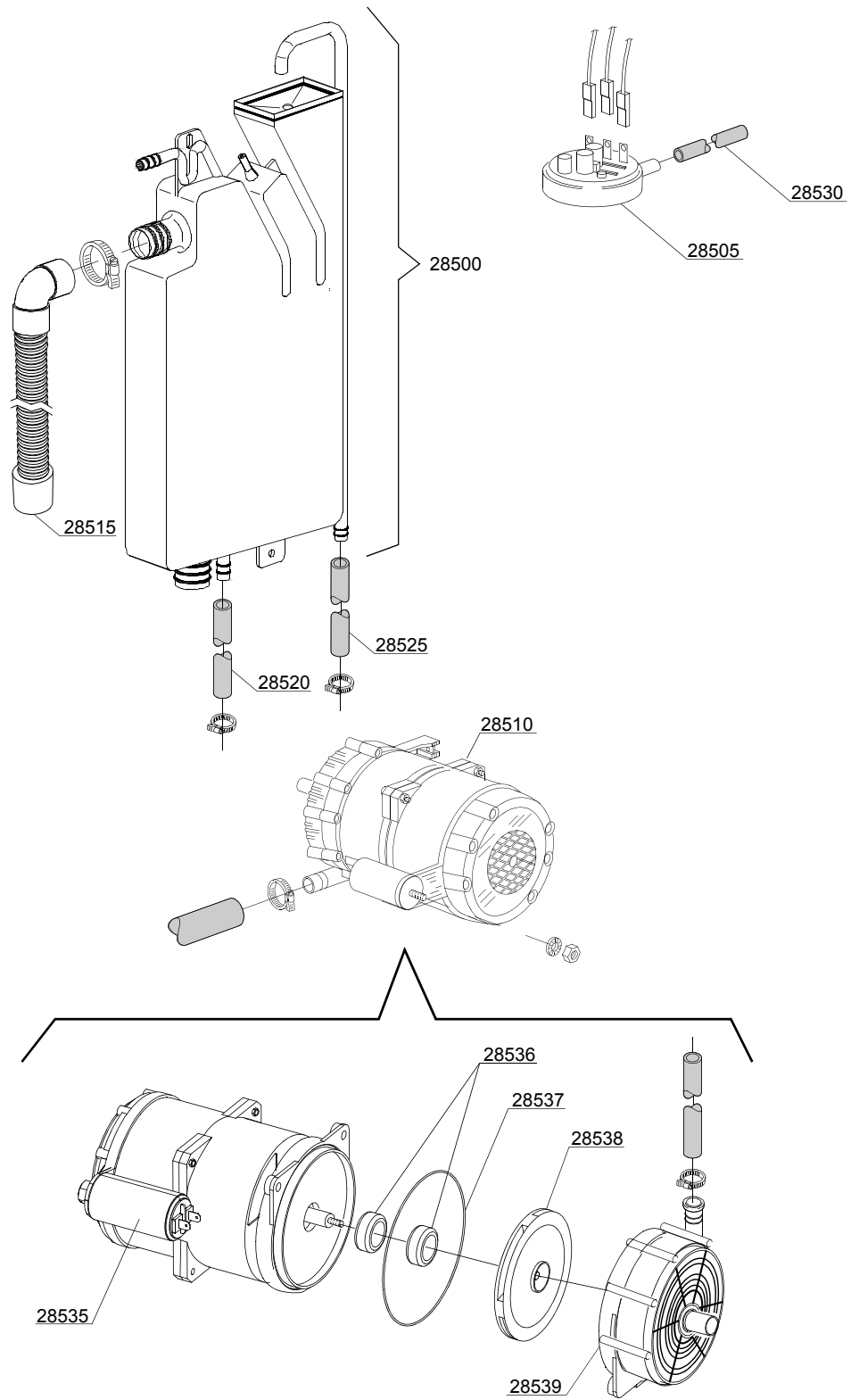
## Spare parts

| ID                                 | P-code | SN from | SN to | Mod. | Acces. | Volt | Description   |
|------------------------------------|--------|---------|-------|------|--------|------|---|
| <b>Module:Solenoid valve group</b> |        |         |       |      |        |      |   |
| 810                                | 15098  |         | -     | i,em | cr,ws  |      | Double solenoid valve - Ø10 - 230Vac                              |
| 815                                | 15115  |         | -     | i,em | cr,ws  |      | Green pression solenoid valve for regeneration (minimum 2 pieces) |
| 820                                | N.C.   |         | -     | i,em | cr,ws  |      | Pression reducing valve   |
| 830                                | 11807  |         | -     | i,em |        |      | 12/22 clamp (minimum 3 pieces)                                    |
| 835                                | 13307  |         | -     | i,em |        |      | 3/4 gasket  |

em=ELECTROMECHANICAL SWITCHES, uw=LOWER AND UPPER WASHING, i=INSULATED MODEL  
295U=295U

bt=BREAK TANK, bp=BOOSTER PUMP, dvgw=DVGW, cr=COLD RINSE, ws=WATER SOFTNER, dd=DETERGENT DISPENSER, dp=DRAIN PUMP

A=3/N/PE~380-400V 50-60Hz, D=3/PE~200-210V 50-60Hz, F=2/PE~220-240V 50-60Hz, G=3/N/PE~415V 50-60Hz, H=3/PE~220-230V 50-60Hz, K=3/PE~380-400V 50-60Hz, L=3/PE~415V 50-60Hz, M=3/PE~440V 60Hz, P=1/N/PE~220-230V 50-60Hz, R=2/PE~220-240V 50-60Hz, U=1/N/PE~240V 50-60Hz, V=3/PE~240V 50-60Hz, W=1/N/PE~100-110V 50-60Hz



06\_004ae

## Spare parts

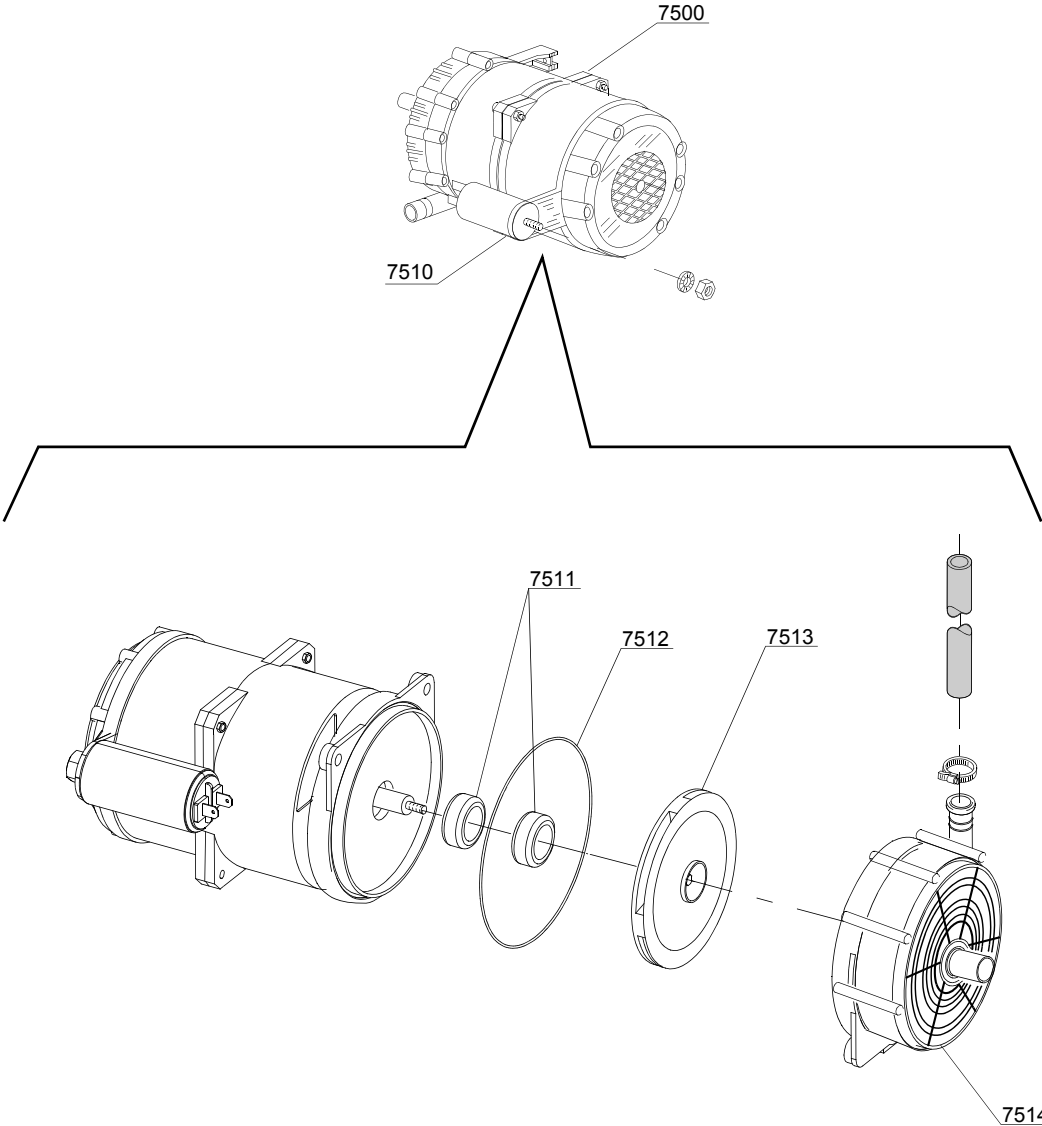
| ID                       | P-code  | SN from | SN to | Mod. | Acces. | Volt | Description                                   |
|--------------------------|---------|---------|-------|------|--------|------|---|
| <b>Module:Break Tank</b> |         |         |       |      |        |      |   |
| 28500                    | 15735   |         | -     | i,em | bt     |      | Break tank assembly                           |
| 28505                    | 10706/A |         | -     | i,em | bt     |      | 47-27 pressure switch                         |
| 28510                    | 15100/D |         | -     | i,em | bt     |      | Booster pump 220/240V - body pumps in plastic |
| 28515                    | 15721   |         | -     | i,em | bt     |      | BT long pipe L=1070                           |
| 28515                    | 15722   |         | -     | i,em | bt     |      | BT middle pipe L=920                          |
| 28515                    | 15723   |         | -     | i,em | bt     |      | BT small pipe L=690                           |
| 28520                    | 2907350 |         | -     | i,em | bt     |      | 12x20 EPDM rubber hose                        |
| 28525                    | 2907352 |         | -     | i,em | bt     |      | PVC WRAS rubber hose                          |
| 28530                    | 14508   |         | -     | i,em | bt     |      | 4,5x9 EPDM rubber hose (minimum 2 mt)         |
| 28535                    | 10702   |         | -     | i,em | bt     |      | 5 uF condenser - 450V                         |
| 28536                    | 15100/S |         | -     | i,em | bt     |      | Rotating seals                                |
| 28537                    | 15100/T |         | -     | i,em | bt     |      | OR-(O-ring) gasket EPDM                       |
| 28538                    | 15100/U |         | -     | i,em | bt     |      | Pump rotor                                    |
| 28539                    | 15100/V |         | -     | i,em | bt     |      | Scroll  |

em=ELECTROMECHANICAL SWITCHES, uw=LOWER AND UPPER WASHING, i=INSULATED MODEL  
295U=295U

bt=BREAK TANK, bp=BOOSTER PUMP, dvgw=DVGW, cr=COLD RINSE, ws=WATER SOFTNER, dd=DETERGENT DISPENSER, dp=DRAIN PUMP

A=3/N/PE~380-400V 50-60Hz, D=3/PE~200-210V 50-60Hz, F=2/PE~220-240V 50-60Hz, G=3/N/PE~415V 50-60Hz, H=3/PE~220-230V 50-60Hz, K=3/PE~380-400V 50-60Hz, L=3/PE~415V 50-60Hz, M=3/PE~440V 60Hz, P=1/N/PE~220-230V 50-60Hz, R=2/PE~220-240V 50-60Hz, U=1/N/PE~240V 50-60Hz, V=3/PE~240V 50-60Hz, W=1/N/PE~100-110V 50-60Hz

07\_003\_e



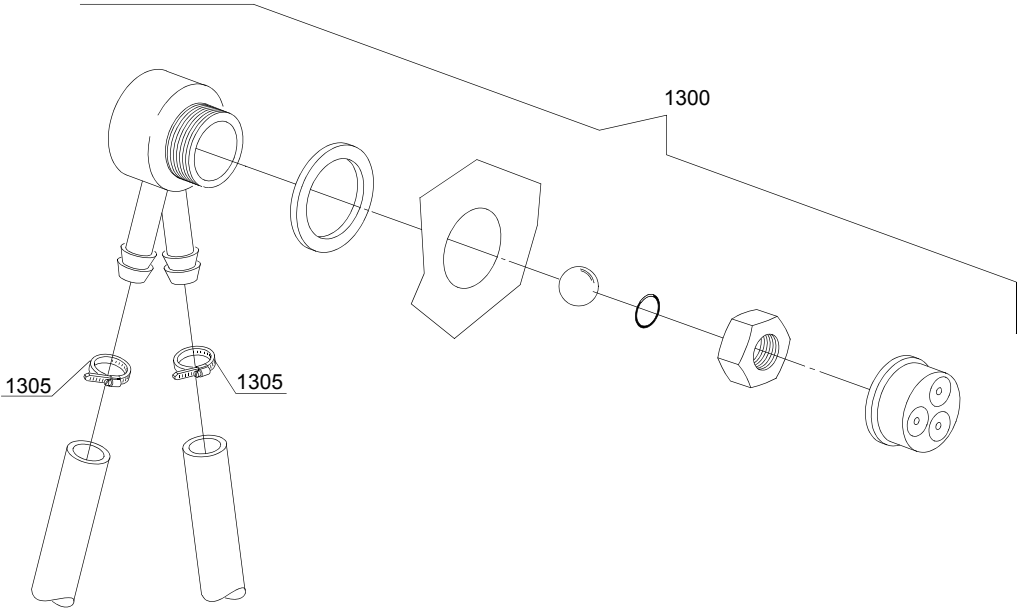
## Spare parts

| ID                         | P-code  | SN from | SN to | Mod. | Acces. | Volt | Description                                   |
|----------------------------|---------|---------|-------|------|--------|------|---|
| <b>Module:Booster pump</b> |         |         |       |      |        |      |   |
| 7500                       | 15100/D |         | -     | i,em | bp     |      | Booster pump 220/240V - body pumps in plastic |
| 7505                       | 12013   |         | -     | i,em | bp     |      | Rubber-holder                                 |
| 7510                       | 10702   |         | -     | i,em | bp     |      | 5 uF condenser - 450V                         |
| 7511                       | 15100/S |         |       | i,em | bp     |      | Rotating seals                                |
| 7512                       | 15100/T |         |       | i,em | bp     |      | OR (O-ring) gasket EPDM                       |
| 7513                       | 15100/U |         |       | i,em | bp     |      | Pump rotor                                    |
| 7514                       | 15100/V |         |       | i,em | bp     |      | Scroll  |

em=ELECTROMECHANICAL SWITCHES, uw=LOWER AND UPPER WASHING, i=INSULATED MODEL  
295U=295U

bt=BREAK TANK, bp=BOOSTER PUMP, dvgw=DVGW, cr=COLD RINSE, ws=WATER SOFTNER, dd=DETERGENT DISPENSER, dp=DRAIN PUMP

A=3/N/PE~380-400V 50-60Hz, D=3/PE~200-210V 50-60Hz, F=2/PE~220-240V 50-60Hz, G=3/N/PE~415V 50-60Hz, H=3/PE~220-230V 50-60Hz, K=3/PE~380-400V 50-60Hz, L=3/PE~415V 50-60Hz, M=3/PE~440V 60Hz, P=1/N/PE~220-230V 50-60Hz, R=2/PE~220-240V 50-60Hz, U=1/N/PE~240V 50-60Hz, V=3/PE~240V 50-60Hz, W=1/N/PE~100-110V 50-60Hz



08\_005\_e



## Spare parts

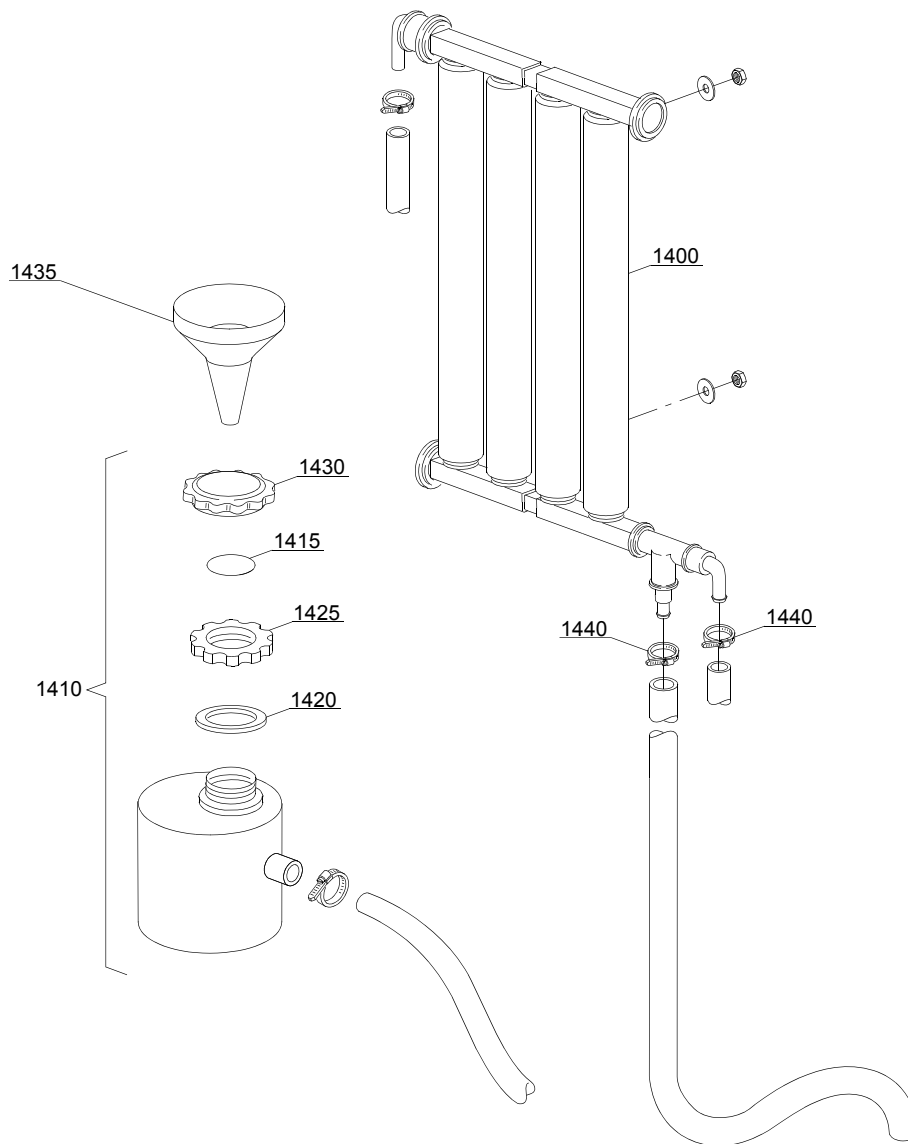
| ID                 | P-code    | SN from | SN to | Mod. | Acces. | Volt | Description                    |
|--------------------|-----------|---------|-------|------|--------|------|--------------------------------|
| <b>Module:DVGW</b> |           |         |       |      |        |      |                                |
| 1300               | 999900006 |         | -     | i,em | dvgw   |      | DVGW assembly                  |
| 1305               | 11807     |         | -     | i,em | dvgw   |      | 12/22 clamp (minimum 3 pieces) |

em=ELECTROMECHANICAL SWITCHES, uw=LOWER AND UPPER WASHING, i=INSULATED MODEL  
295U=295U

bt=BREAK TANK, bp=BOOSTER PUMP, dvgw=DVGW, cr=COLD RINSE, ws=WATER SOFTNER, dd=DETERGENT DISPENSER, dp=DRAIN PUMP

A=3/N/PE~380-400V 50-60Hz, D=3/PE~200-210V 50-60Hz, F=2/PE~220-240V 50-60Hz, G=3/N/PE~415V 50-60Hz, H=3/PE~220-230V 50-60Hz, K=3/PE~380-400V 50-60Hz, L=3/PE~415V 50-60Hz, M=3/PE~440V 60Hz, P=1/N/PE~220-230V 50-60Hz, R=2/PE~220-240V 50-60Hz, U=1/N/PE~240V 50-60Hz, V=3/PE~240V 50-60Hz, W=1/N/PE~100-110V 50-60Hz

09\_001\_e



## Spare parts

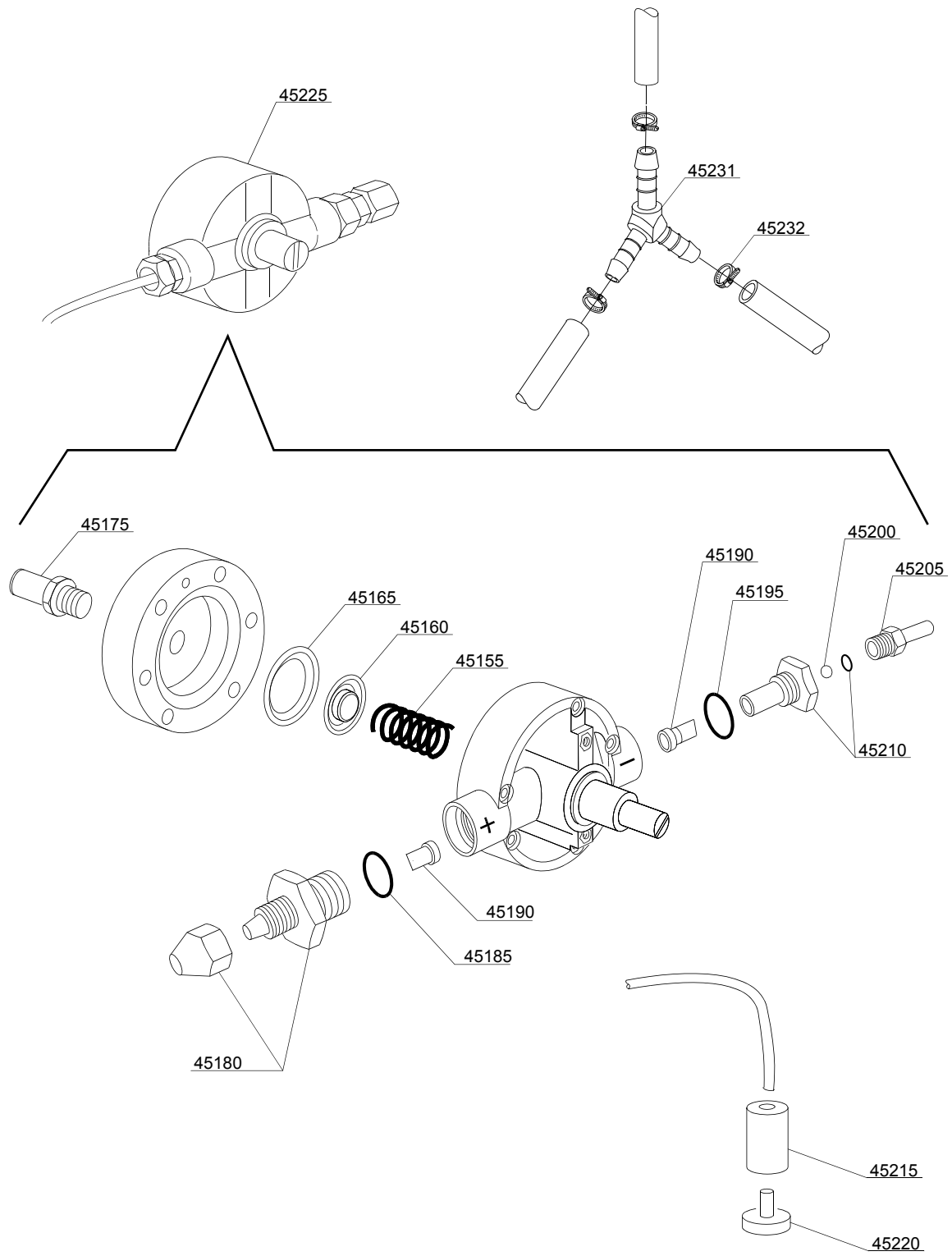
| ID                                 | P-code  | SN from | SN to | Mod. | Acces. | Volt | Description                    |
|------------------------------------|---------|---------|-------|------|--------|------|--------------------------------|
| <b>Module: Water softner group</b> |         |         |       |      |        |      |                                |
| 1400                               | 16066   |         | -     | em   | ws     |      | 4 elements water softner       |
| 1405                               | 16070   |         | -     | em   | ws     |      | Nonreturn valve                |
| 1410                               | 16065   |         | -     | em   | ws     |      | Salt container                 |
| 1415                               | 16067/A |         | -     | em   | ws     |      | OR O-ring                      |
| 1420                               | 16067/B |         | -     | em   | ws     |      | O-ring                         |
| 1425                               | 16067/C |         | -     | em   | ws     |      | Ring nut                       |
| 1430                               | 16067/D |         | -     | em   | ws     |      | Plug                           |
| 1435                               | 16082   |         | -     | em   | ws     |      | Funnel                         |
| 1440                               | 11807   |         | -     | em   | ws     |      | 12/22 clamp (minimum 3 pieces) |

em=ELECTROMECHANICAL SWITCHES, uw=LOWER AND UPPER WASHING, i=INSULATED MODEL  
295U=295U

bt=BREAK TANK, bp=BOOSTER PUMP, dvgw=DVGW, cr=COLD RINSE, ws=WATER SOFTNER, dd=DETERGENT DISPENSER, dp=DRAIN PUMP

A=3/N/PE~380-400V 50-60Hz, D=3/PE~200-210V 50-60Hz, F=2/PE~220-240V 50-60Hz, G=3/N/PE~415V 50-60Hz, H=3/PE~220-230V 50-60Hz, K=3/PE~380-400V 50-60Hz, L=3/PE~415V 50-60Hz, M=3/PE~440V 60Hz, P=1/N/PE~220-230V 50-60Hz, R=2/PE~220-240V 50-60Hz, U=1/N/PE~240V 50-60Hz, V=3/PE~240V 50-60Hz, W=1/N/PE~100-110V 50-60Hz

10\_001be



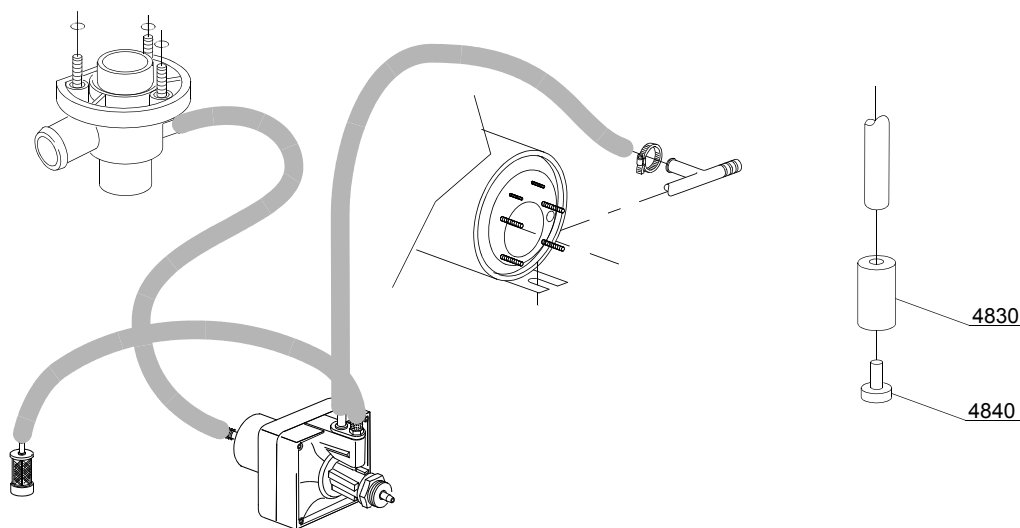
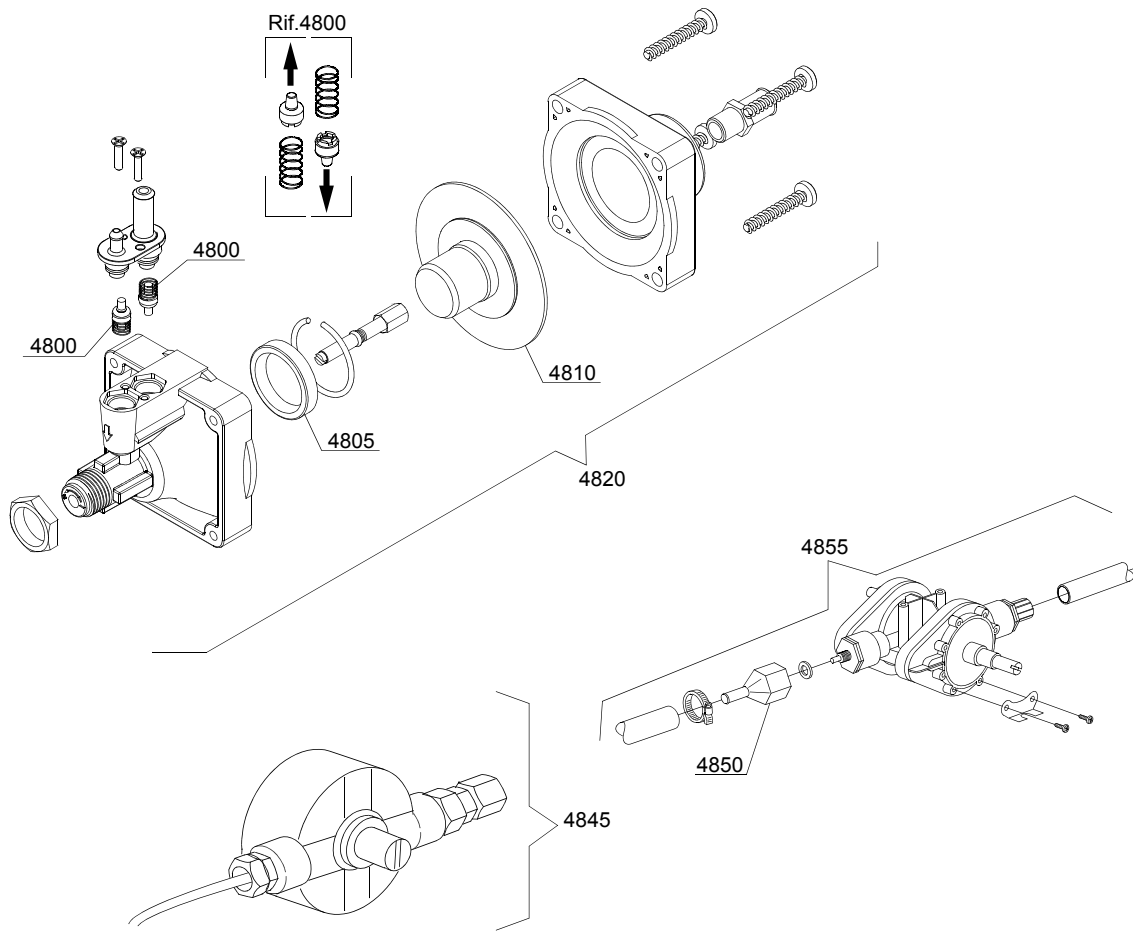
## Spare parts

| ID                                       | P-code  | SN from | SN to | Mod. | Acces. | Volt | Description                      |
|--|---------|---------|-------|------|--------|------|----------------------------------|
| <b>Module: Rinse aid dispenser group</b> |         |         |       |      |        |      |                                  |
| 45155                                    | 10705/M |         | -     | i,em |        |      | Spring                           |
| 45160                                    | 10705/N |         | -     | i,em |        |      | Disc to membrane                 |
| 45165                                    | 10750/O |         | -     | i,em |        |      | Membrane                         |
| 45175                                    | 12506   |         | -     | i,em |        |      | Rubber-holder Ø 10mm             |
| 45180                                    | 10705/G |         | -     | i,em |        |      | Pipe fitting                     |
| 45185                                    | 10705/C |         | -     | i,em |        |      | OR-gasket                        |
| 45190                                    | 10705/D |         | -     | i,em |        |      | Silicone valve                   |
| 45195                                    | 10705/C |         | -     | i,em |        |      | OR-gasket                        |
| 45200                                    | 10705/T |         | -     | i,em |        |      | Sphere made of Teflon            |
| 45205                                    | 10705/R |         | -     | i,em |        |      | Brass pipe fitting               |
| 45210                                    | 10705/E |         | -     | i,em |        |      | OR-gasket Guide valve            |
| 45215                                    | 12525   |         | -     | i,em |        |      | Ballast                          |
| 45220                                    | 15058   |         | -     | i,em |        |      | Small filter (minimum 3 pieces)  |
| 45225                                    | 10799/G |         | -     | i,em |        |      | GERMAC rinse aid dispenser       |
| 45231                                    | 540091  |         | -     | i,em |        |      | Ø12 mm plastic 3 ways connection |
| 45232                                    | 11807   |         | -     | i,em |        |      | Clamp 12-22 (minimum 3 pieces)   |

em=ELECTROMECHANICAL SWITCHES, uw=LOWER AND UPPER WASHING, i=INSULATED MODEL  
295U=295U

bt=BREAK TANK, bp=BOOSTER PUMP, dvgw=DVGW, cr=COLD RINSE, ws=WATER SOFTNER, dd=DETERGENT DISPENSER, dp=DRAIN PUMP

A=3/N/PE~380-400V 50-60Hz, D=3/PE~200-210V 50-60Hz, F=2/PE~220-240V 50-60Hz, G=3/N/PE~415V 50-60Hz, H=3/PE~220-230V 50-60Hz, K=3/PE~380-400V 50-60Hz, L=3/PE~415V 50-60Hz, M=3/PE~440V 60Hz, P=1/N/PE~220-230V 50-60Hz, R=2/PE~220-240V 50-60Hz, U=1/N/PE~240V 50-60Hz, V=3/PE~240V 50-60Hz, W=1/N/PE~100-110V 50-60Hz



10\_004\_e

## Spare parts

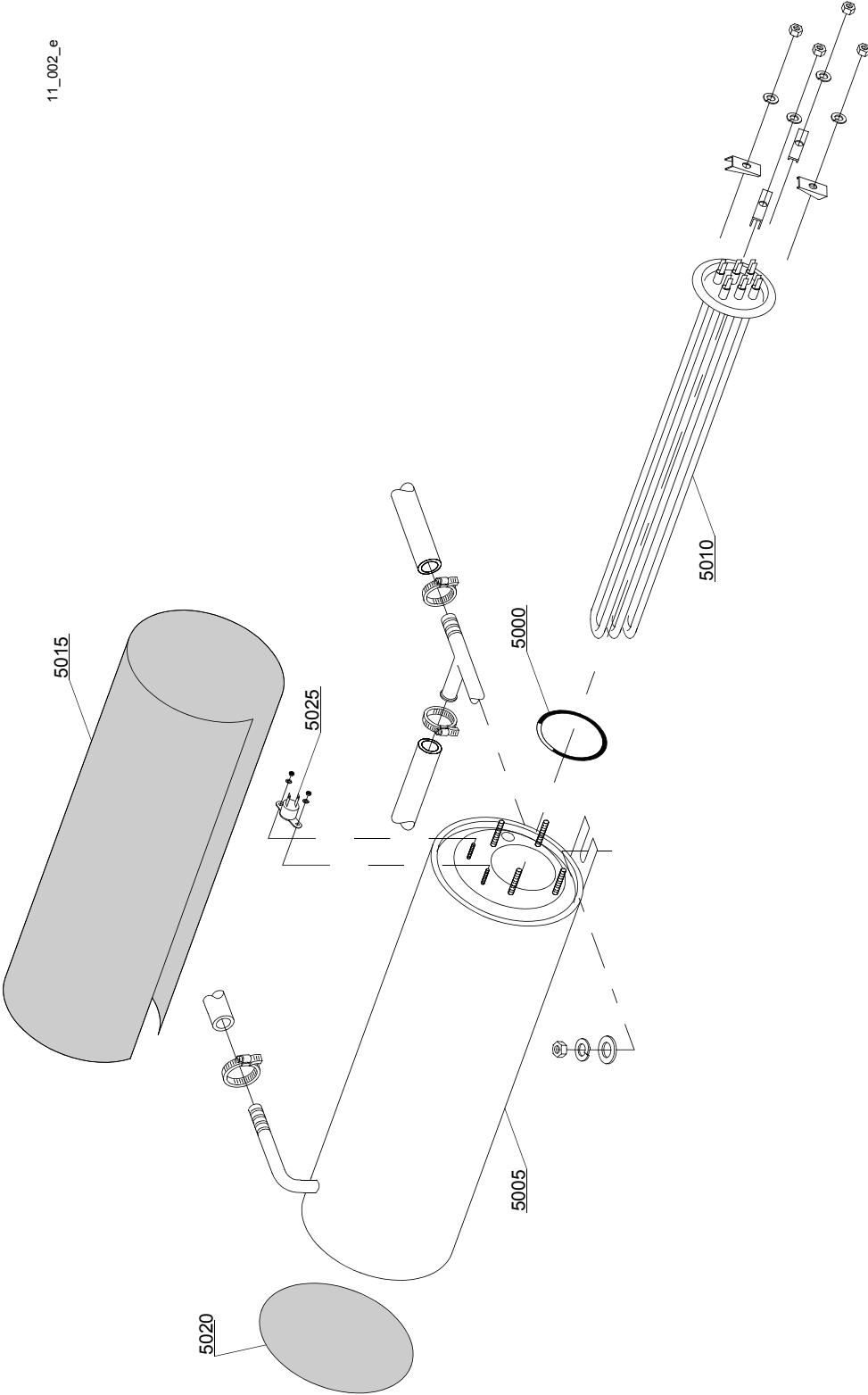
| ID                                       | P-code  | SN from | SN to | Mod. | Acces. | Volt | Description                     |
|--|---------|---------|-------|------|--------|------|---------------------------------|
| <b>Module: Rinse aid dispenser group</b> |         |         |       |      |        |      |                                 |
| 4800                                     | 10805   |         | -     | em   |        |      | Tecnopro non return valve       |
| 4805                                     | 10806   |         | -     | em   |        |      | Ø22 O-ring                      |
| 4810                                     | 10807   |         | -     | em   |        |      | Membrane                        |
| 4820                                     | 10799   |         | -     | em   |        |      | TECNO PRO rinse aid dispenser   |
| 4830                                     | 12525   |         | -     | em   |        |      | Ballast                         |
| 4840                                     | 15058   |         | -     | em   |        |      | Small filter (minimum 3 pieces) |
| 4845                                     | 10799   |         | -     | em   |        |      | GERMAC rinse aid dispenser      |
| 4850                                     | 10798/B |         | -     | em   |        |      | Brass pipe fitting              |
| 4855                                     | 10798   |         | -     | em   |        |      | LANG rinse aid dispenser        |

em=ELECTROMECHANICAL SWITCHES, uw=LOWER AND UPPER WASHING, i=INSULATED MODEL  
295U=295U

bt=BREAK TANK, bp=BOOSTER PUMP, dvgw=DVGW, cr=COLD RINSE, ws=WATER SOFTNER, dd=DETERGENT DISPENSER, dp=DRAIN PUMP

A=3/N/PE~380-400V 50-60Hz, D=3/PE~200-210V 50-60Hz, F=2/PE~220-240V 50-60Hz, G=3/N/PE~415V 50-60Hz, H=3/PE~220-230V 50-60Hz, K=3/PE~380-400V 50-60Hz, L=3/PE~415V 50-60Hz, M=3/PE~440V 60Hz, P=1/N/PE~220-230V 50-60Hz, R=2/PE~220-240V 50-60Hz, U=1/N/PE~240V 50-60Hz, V=3/PE~240V 50-60Hz, W=1/N/PE~100-110V 50-60Hz

11\_002\_e





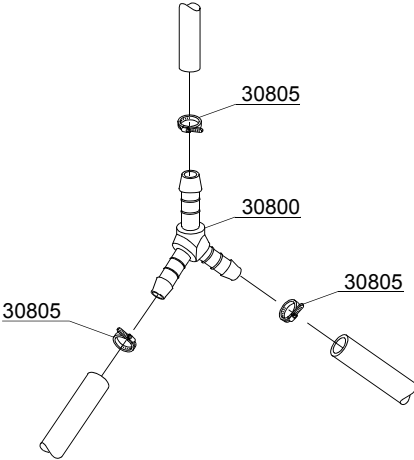
## Spare parts

| ID                         | P-code  | SN from | SN to | Mod. | Acces. | Volt | Description                           |
|----------------------------|---------|---------|-------|------|--------|------|---------------------------------------|
| <b>Module:Boiler group</b> |         |         |       |      |        |      |                                       |
| 5000                       | 13005   |         | -     | i,em |        |      | OR 151 NBR O-ring (minimum 5 pieces)  |
| 5005                       | 150905  |         | -     | i,em |        |      | Boiler                                |
| 5010                       | 15089   |         | -     | i,em |        |      | 4,5/4,9KW 230/240V 3 heating element  |
| 5010                       | 15089/E |         | -     | i,em |        |      | 6/6,53KW - 230/240V 3 heating element |
| 5015                       | 15066   |         | -     | i,em |        |      | Insulation boiler                     |
| 5020                       | 15205   |         | -     | i,em |        |      | Ø160 End piece (minimum 2 pieces)     |
| 5025                       | 15550   |         | -     | i,em |        |      | Safety thermostat                     |

em=ELECTROMECHANICAL SWITCHES, uw=LOWER AND UPPER WASHING, i=INSULATED MODEL  
295U=295U

bt=BREAK TANK, bp=BOOSTER PUMP, dvgw=DVGW, cr=COLD RINSE, ws=WATER SOFTNER, dd=DETERGENT DISPENSER, dp=DRAIN PUMP

A=3/N/PE~380-400V 50-60Hz, D=3/PE~200-210V 50-60Hz, F=2/PE~220-240V 50-60Hz, G=3/N/PE~415V 50-60Hz, H=3/PE~220-230V 50-60Hz, K=3/PE~380-400V 50-60Hz, L=3/PE~415V 50-60Hz, M=3/PE~440V 60Hz, P=1/N/PE~220-230V 50-60Hz, R=2/PE~220-240V 50-60Hz, U=1/N/PE~240V 50-60Hz, V=3/PE~240V 50-60Hz, W=1/N/PE~100-110V 50-60Hz



12\_003ae

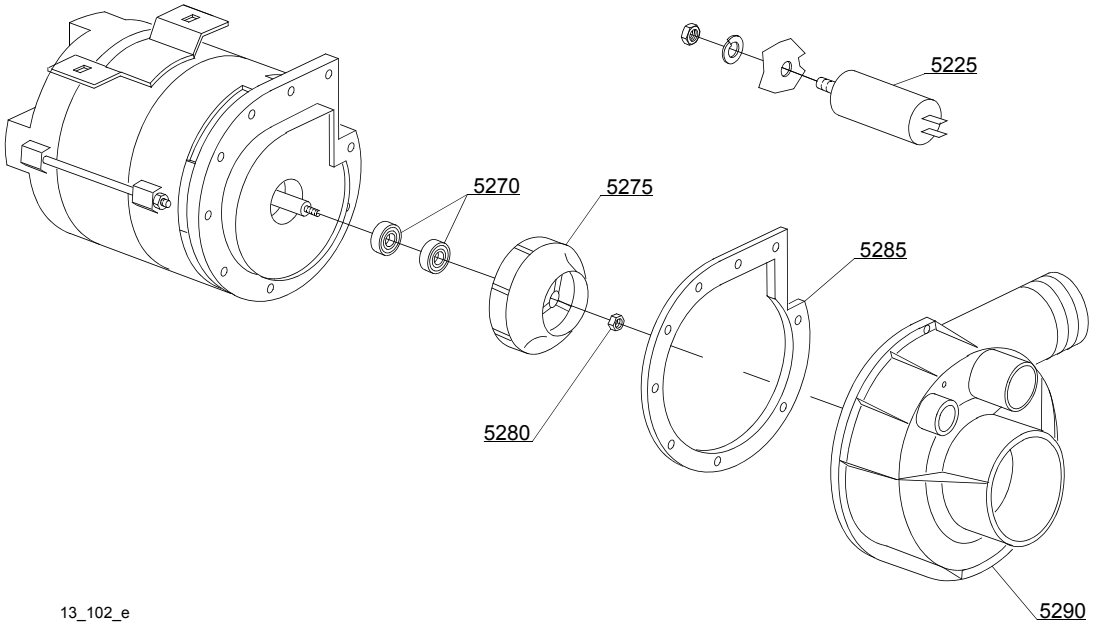
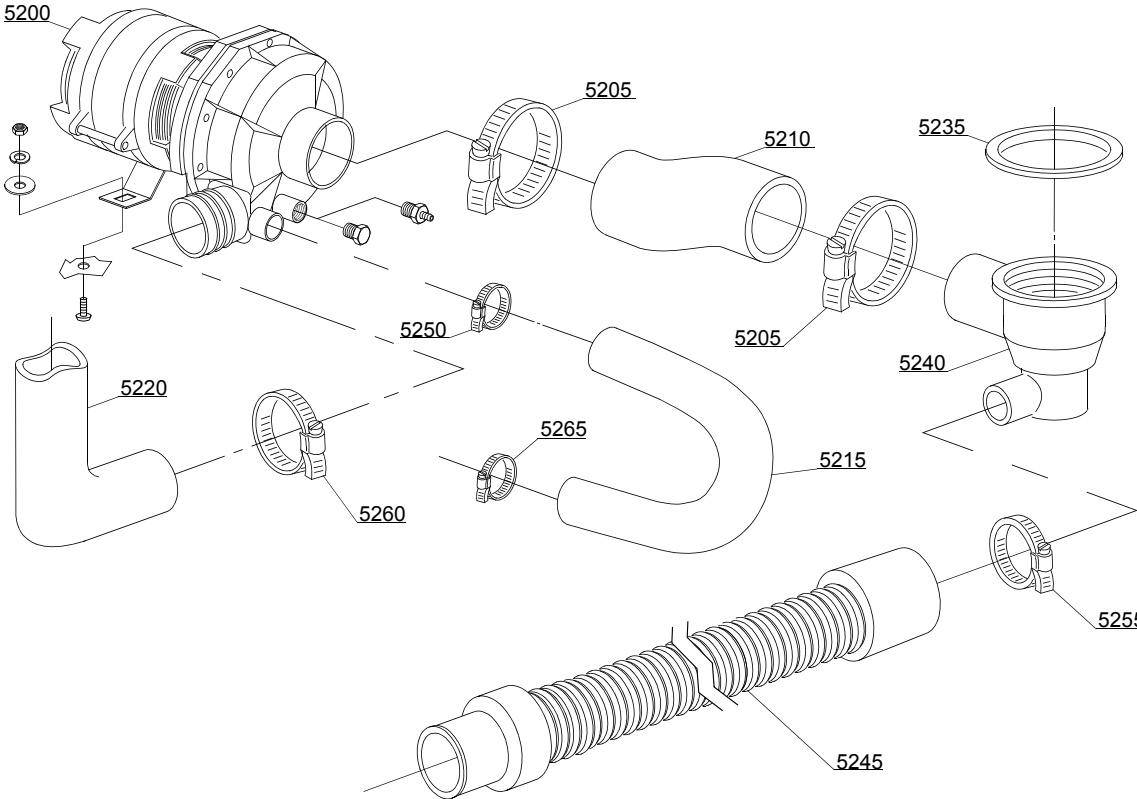
## Spare parts

| ID                              | P-code | SN from | SN to | Mod. | Acces. | Volt | Description                      |
|---------------------------------|--------|---------|-------|------|--------|------|----------------------------------|
| <b>Module:3 ways connection</b> |        |         |       |      |        |      |                                  |
| 30800                           | 540091 |         | -     | i,em |        |      | Ø12 mm plastic 3 ways connection |
| 30805                           | 11807  |         | -     | i,em |        |      | 12/22 clamp (minimum 3 pieces)   |

em=ELECTROMECHANICAL SWITCHES, uw=LOWER AND UPPER WASHING, i=INSULATED MODEL  
295U=295U

bt=BREAK TANK, bp=BOOSTER PUMP, dvgw=DVGW, cr=COLD RINSE, ws=WATER SOFTNER, dd=DETERGENT DISPENSER, dp=DRAIN PUMP

A=3/N/PE~380-400V 50-60Hz, D=3/PE~200-210V 50-60Hz, F=2/PE~220-240V 50-60Hz, G=3/N/PE~415V 50-60Hz, H=3/PE~220-230V 50-60Hz, K=3/PE~380-400V 50-60Hz, L=3/PE~415V 50-60Hz, M=3/PE~440V 60Hz, P=1/N/PE~220-230V 50-60Hz, R=2/PE~220-240V 50-60Hz, U=1/N/PE~240V 50-60Hz, V=3/PE~240V 50-60Hz, W=1/N/PE~100-110V 50-60Hz



13\_102\_e

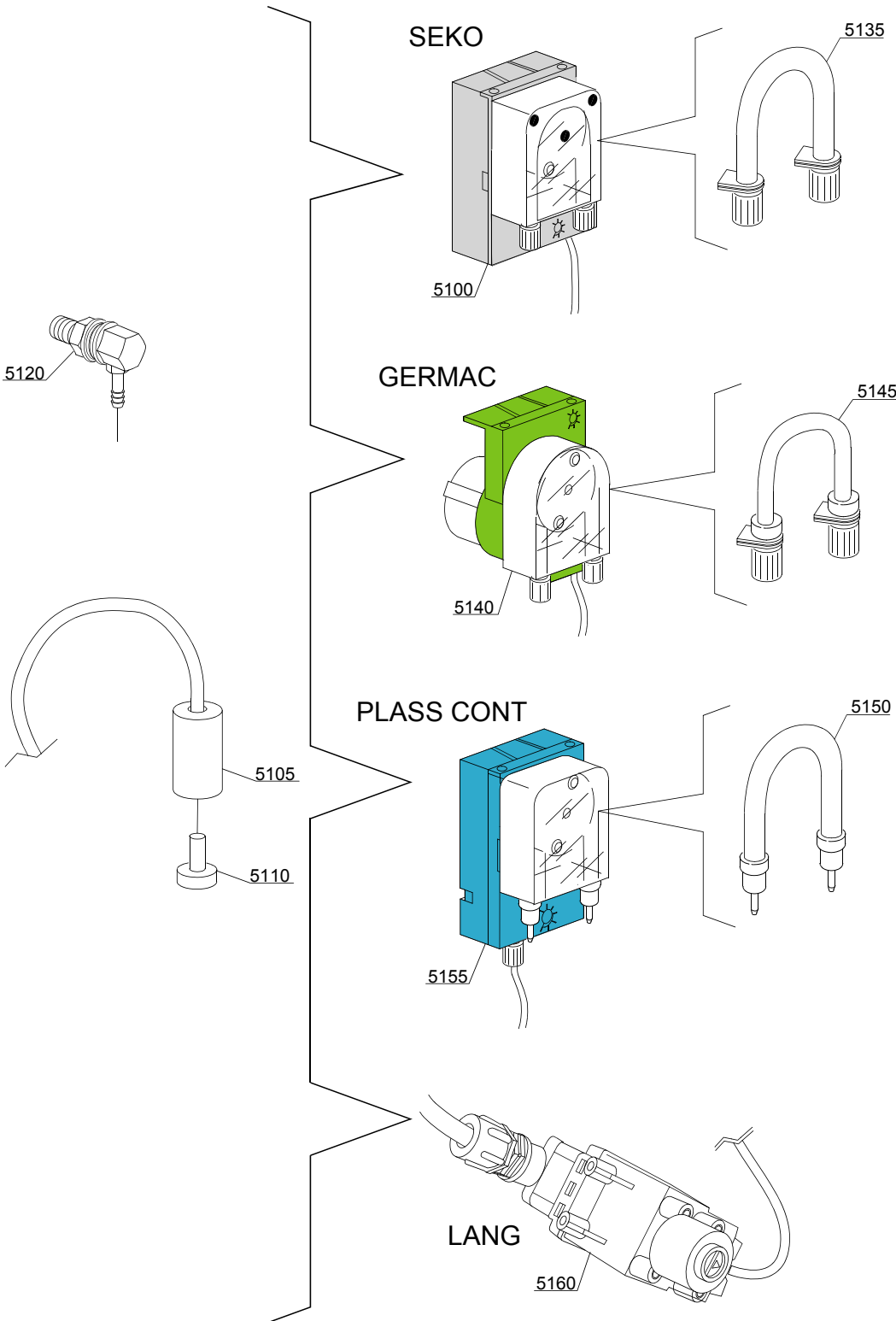
## Spare parts

| ID                       | P-code  | SN from | SN to | Mod. | Acces. | Volt | Description                          |
|--------------------------|---------|---------|-------|------|--------|------|--------------------------------------|
| <b>Module: Wash pump</b> |         |         |       |      |        |      |                                      |
| 5200                     | 15908/A |         | -     | uw,i |        | A    | 0,75Hp wash pump - 220/240V 50Hz     |
| 5200                     | 15908/E |         | -     | uw,i |        | A    | 0,75Hp wash pump - 440V/3/60Hz       |
| 5205                     | 11824   |         | -     | uw,i |        |      | 50/70 clamp (minimum 2 pieces)       |
| 5210                     | 25032   |         | -     | uw,i |        |      | Suction pipe coupling                |
| 5215                     | 560014  |         | -     | uw,i |        |      | Pump/lower wash turret delivery pipe |
| 5220                     | 560008  |         | -     | uw,i |        |      | Top delivery pipe                    |
| 5225                     | 15081   |         | -     | uw,i |        |      | 12,5 uF condenser                    |
| 5235                     | 80208   |         | -     | uw,i |        |      | 95x75x3 O-ring (minimum 2 pieces)    |
| 5240                     | 500606  |         | -     | uw,i |        |      | Right side scrap tray                |
| 5245                     | 10727   |         | -     | uw,i |        |      | Drain pipe                           |
| 5250                     | 11806   |         | -     | uw,i |        |      | 25/40 clamp (minimum 2 pieces)       |
| 5255                     | 11807   |         | -     | uw,i |        |      | 12/22 clamp (minimum 3 pieces)       |
| 5260                     | 11810   |         | -     | uw,i |        |      | 40/60 clamp (minimum 2 pieces)       |
| 5265                     | 11809   |         | -     | uw,i |        |      | 30/45 clamp (minimum 2 pieces)       |
| 5270                     | 15080/C |         | -     | uw,i |        |      | Rotating seals                       |
| 5270                     | 15080   |         | -     | uw,i |        |      | Rotating seals (1HP)                 |
| 5275                     | 15079/B |         | -     | uw,i |        |      | Pump rotor                           |
| 5275                     | 15912   |         | -     | uw,i |        |      | Pump rotor (1HP)                     |
| 5280                     | 11724   |         | -     | uw,i |        |      | M6 stainless steel nut               |
| 5285                     | 15079/D |         | -     | uw,i |        |      | O-ring                               |
| 5290                     | 15031/E |         | -     | uw,i |        |      | Scroll                               |

em=ELECTROMECHANICAL SWITCHES, uw=LOWER AND UPPER WASHING, i=INSULATED MODEL  
295U=295U

bt=BREAK TANK, bp=BOOSTER PUMP, dvgw=DVGW, cr=COLD RINSE, ws=WATER SOFTNER, dd=DETERGENT DISPENSER, dp=DRAIN PUMP

A=3/N/PE~380-400V 50-60Hz, D=3/PE~200-210V 50-60Hz, F=2/PE~220-240V 50-60Hz, G=3/N/PE~415V 50-60Hz, H=3/PE~220-230V 50-60Hz, K=3/PE~380-400V 50-60Hz, L=3/PE~415V 50-60Hz, M=3/PE~440V 60Hz, P=1/N/PE~220-230V 50-60Hz, R=2/PE~220-240V 50-60Hz, U=1/N/PE~240V 50-60Hz, V=3/PE~240V 50-60Hz, W=1/N/PE~100-110V 50-60Hz



14\_004\_e

## Spare parts

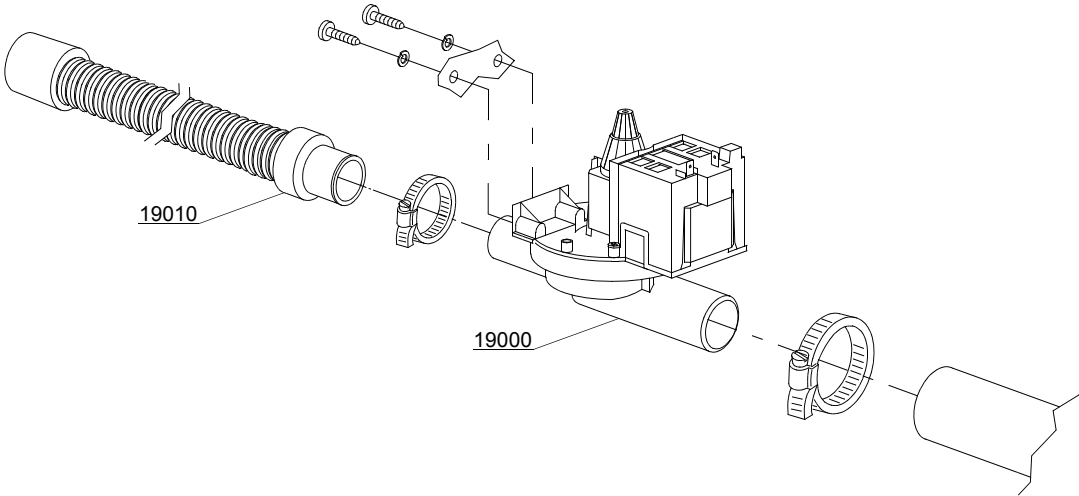
| ID                                   | P-code  | SN from | SN to | Mod. | Acces. | Volt | Description                      |
|--------------------------------------|---------|---------|-------|------|--------|------|----------------------------------|
| <b>Module:Dosing detergent group</b> |         |         |       |      |        |      |                                  |
| 5100                                 | 15985   |         | -     | i,em | dd     |      | Seko detergent pump              |
| 5105                                 | 12525   |         | -     | i,em | dd     |      | Ballast                          |
| 5110                                 | 15058   |         | -     | i,em | dd     |      | Small filter (minimum 3 pieces)  |
| 5115                                 | 15123   |         | -     | i,em | dd     |      | Complet stainless steel injector |
| 5135                                 | 15185   |         | -     | i,em | dd     |      | Seko thermoplastic pipe          |
| 5140                                 | 15985   |         | -     | i,em | dd     |      | Germac detergent pump            |
| 5145                                 | 15108/E |         | -     | i,em | dd     |      | Germac thermoplastic pipe        |
| 5150                                 | 15985/A |         |       | i,em | dd     |      | Plas Cont thermoplastic pipe     |
| 5155                                 | 15985   |         |       | i,em | dd     |      | Plas Cont detergent pump         |
| 5160                                 | 15108/L |         |       | i,em | dd     |      | LANG detergent pump              |

em=ELECTROMECHANICAL SWITCHES, uw=LOWER AND UPPER WASHING, i=INSULATED MODEL  
295U=295U

bt=BREAK TANK, bp=BOOSTER PUMP, dvgw=DVGW, cr=COLD RINSE, ws=WATER SOFTNER, dd=DETERGENT DISPENSER, dp=DRAIN PUMP

A=3/N/PE~380-400V 50-60Hz, D=3/PE~200-210V 50-60Hz, F=2/PE~220-240V 50-60Hz, G=3/N/PE~415V 50-60Hz, H=3/PE~220-230V 50-60Hz, K=3/PE~380-400V 50-60Hz, L=3/PE~415V 50-60Hz, M=3/PE~440V 60Hz, P=1/N/PE~220-230V 50-60Hz, R=2/PE~220-240V 50-60Hz, U=1/N/PE~240V 50-60Hz, V=3/PE~240V 50-60Hz, W=1/N/PE~100-110V 50-60Hz

15\_002\_e





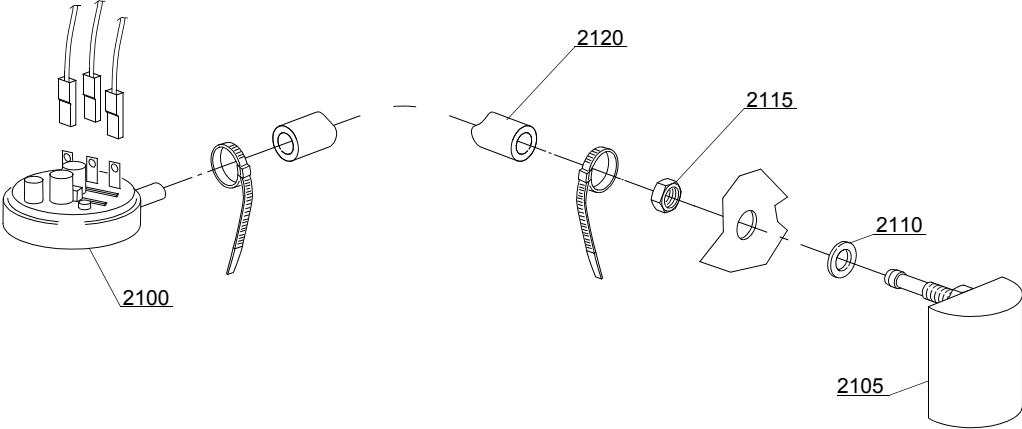
## Spare parts

| ID                              | P-code  | SN from | SN to | Mod. | Acces. | Volt | Description            |
|---------------------------------|---------|---------|-------|------|--------|------|------------------------|
| <b>Module: Drain pump group</b> |         |         |       |      |        |      |                        |
| 19000                           | 15101/A |         | -     | i,em | dp     | A    | Drain pump - 50Hz      |
| 19000                           | 15101/B |         | -     | i,em | dp     |      | Drain pump - 220V 60Hz |
| 19010                           | 10727   |         | -     | i,em | dp     |      | Drain pipe             |

em=ELECTROMECHANICAL SWITCHES, uw=LOWER AND UPPER WASHING, i=INSULATED MODEL  
295U=295U

bt=BREAK TANK, bp=BOOSTER PUMP, dvgw=DVGW, cr=COLD RINSE, ws=WATER SOFTNER, dd=DETERGENT DISPENSER, dp=DRAIN PUMP

A=3/N/PE~380-400V 50-60Hz, D=3/PE~200-210V 50-60Hz, F=2/PE~220-240V 50-60Hz, G=3/N/PE~415V 50-60Hz, H=3/PE~220-230V 50-60Hz, K=3/PE~380-400V 50-60Hz, L=3/PE~415V 50-60Hz, M=3/PE~440V 60Hz, P=1/N/PE~220-230V 50-60Hz, R=2/PE~220-240V 50-60Hz, U=1/N/PE~240V 50-60Hz, V=3/PE~240V 50-60Hz, W=1/N/PE~100-110V 50-60Hz



16\_001\_e

## Spare parts

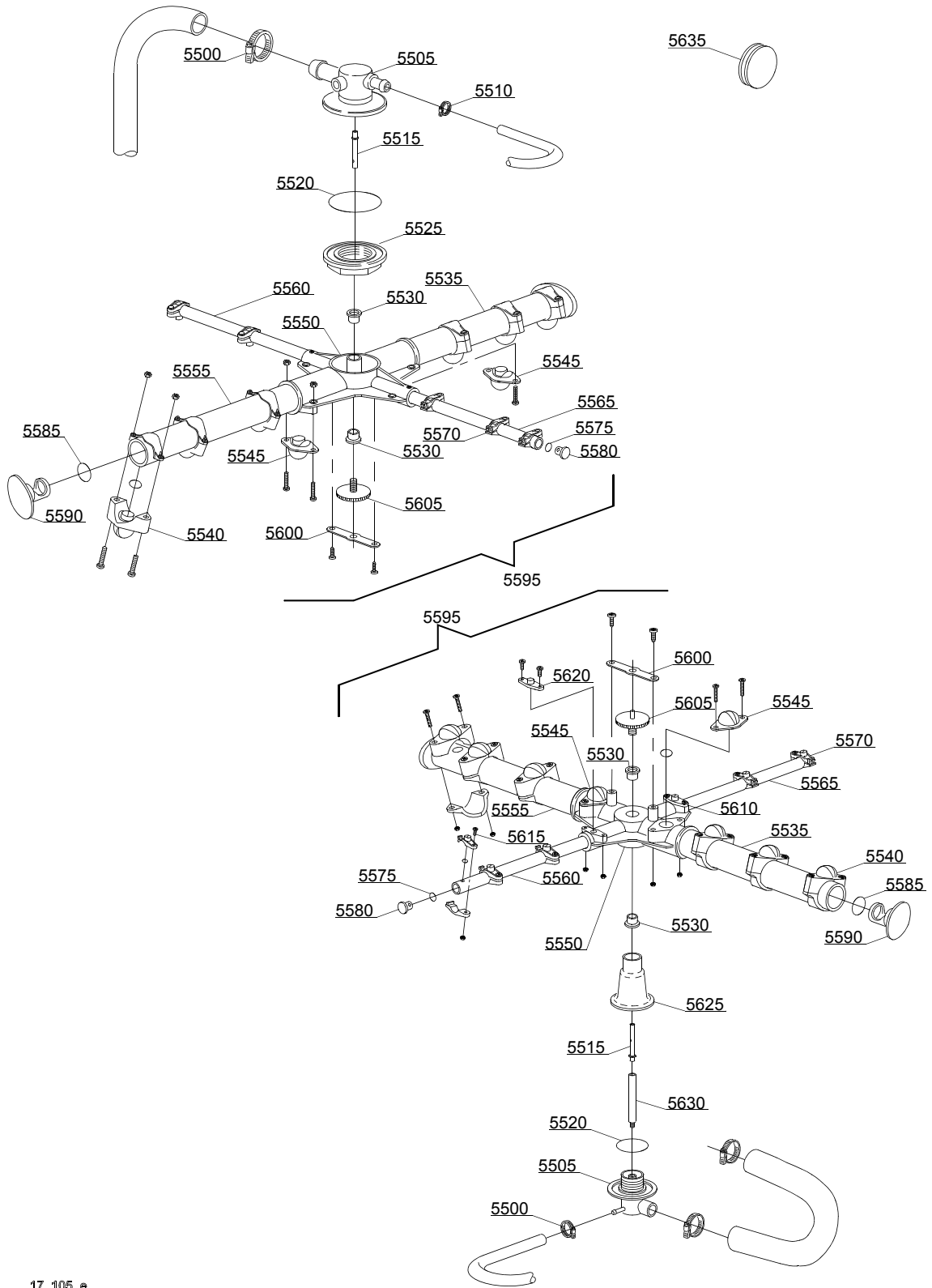
| ID  | P-code   | SN from | SN to | Mod. | Acces. | Volt | Description                                |
|---|----------|---------|-------|------|--------|------|--|
| <b>Module:Pressure switch group with air trap</b> |          |         |       |      |        |      |  |
| 2100  | 10706/A  |         | -     | i,em |        |      | 47-27 pressure switch                      |
| 2105  | 135911/D | 4020618 | -     | i,em |        |      | Grey air trap assembly                     |
| 2110  | 13301    |         | -     | i,em |        |      | O-ring (minimum 10 pieces) - D14x8x1,5     |
| 2115  | 11702    |         | -     | i,em |        |      | M8 stainless steel nut (minimum 10 pieces) |
| 2120  | 14508    |         | -     | i,em |        |      | 4,5X9 EPDM rubber hose (minimum 2mt)       |

em=ELECTROMECHANICAL SWITCHES, uw=LOWER AND UPPER WASHING, i=INSULATED MODEL

295U=295U

bt=BREAK TANK, bp=BOOSTER PUMP, dvgw=DVGW, cr=COLD RINSE, ws=WATER SOFTNER, dd=DETERGENT DISPENSER, dp=DRAIN PUMP

A=3/N/PE~380-400V 50-60Hz, D=3/PE~200-210V 50-60Hz, F=2/PE~220-240V 50-60Hz, G=3/N/PE~415V 50-60Hz, H=3/PE~220-230V 50-60Hz, K=3/PE~380-400V 50-60Hz, L=3/PE~415V 50-60Hz, M=3/PE~440V 60Hz, P=1/N/PE~220-230V 50-60Hz, R=2/PE~220-240V 50-60Hz, U=1/N/PE~240V 50-60Hz, V=3/PE~240V 50-60Hz, W=1/N/PE~100-110V 50-60Hz



17\_105\_e

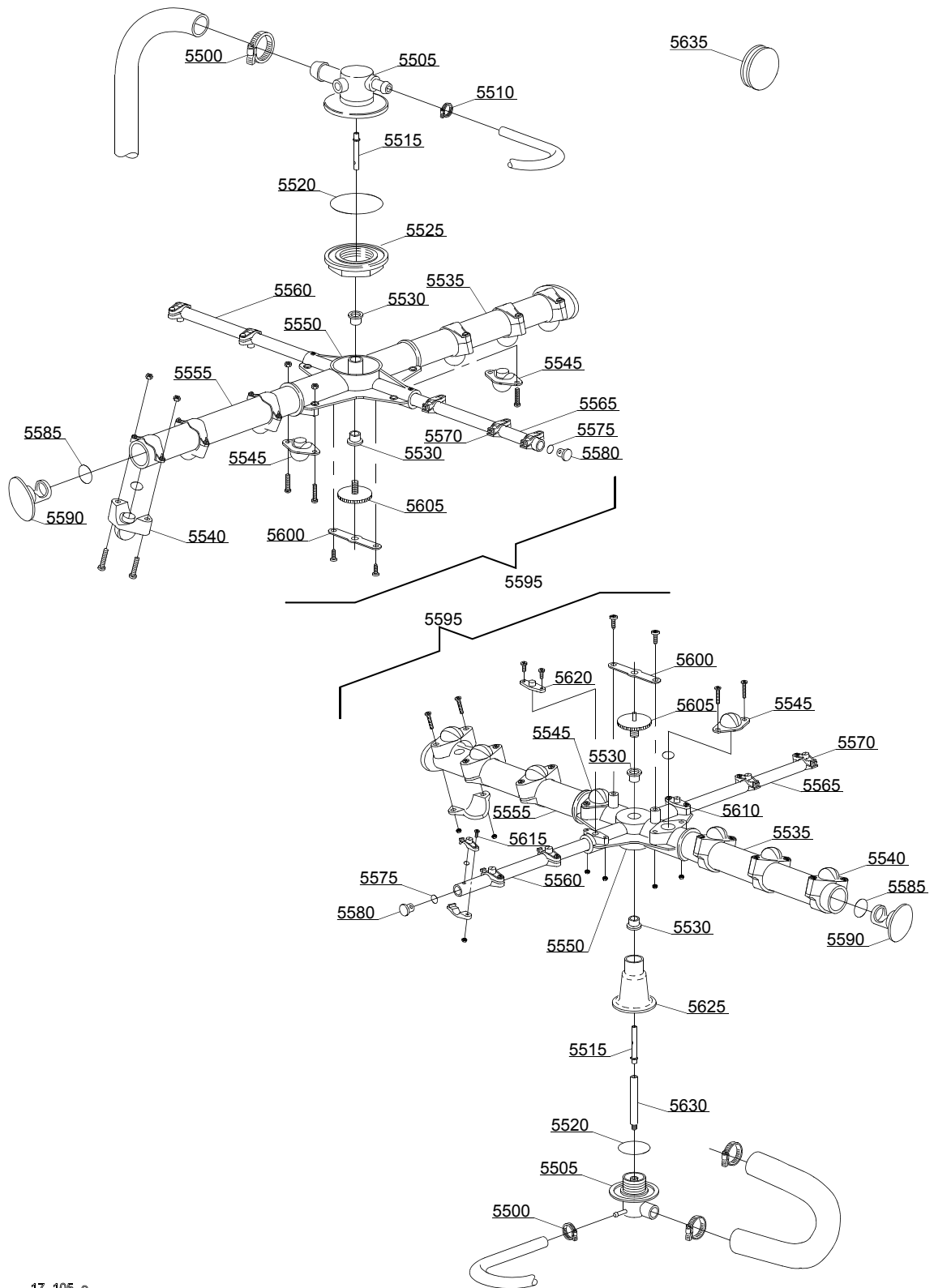
## Spare parts

| ID  | P-code  | SN from | SN to   | Mod.    | Acces. | Volt | Description  |
|---|---------|---------|---------|---------|--------|------|--|
| <b>Module:Turret group with rotating arms</b> |         |         |         |         |        |      |  |
| 5500  | 11806   |         | -       | em,uw,i |        |      | 25/40 clamp (minimum 2 pieces)                     |
| 5505  | 500612  |         | -       | em,uw,i |        |      | Top/lower turret                                   |
| 5510  | 11807   |         | -       | em,uw,i |        |      | 12/22 clamp (minimum 3 pieces)                     |
| 5515  | 15300   |         | -       | em,uw,i |        |      | Ø10x51 lower/top rinse axle                        |
| 5520  | 13015   |         | -       | em,uw,i |        |      | 6225 OR 160 NBR O-ring (minimum 5 pieces)          |
| 5525  | 500623  | 4017774 | -       | em,uw,i |        |      | Ring nut for fixing turret                         |
| 5530  | 13319   |         | -       | em,uw,i |        |      | Sliding washer (minimum 4 pieces)                  |
| 5535  | 15571   |         | -       | em,uw,i |        |      | Ø28 right wash pipe                                |
| 5540  | 10261   |         | -       | em,uw,i |        |      | Ø28 raised nozzle (minimum 2 pieces)               |
| 5545  | 10268   |         | -       | em,uw,i |        |      | Ø28 opened plane nozzle (minimum 2 pieces)         |
| 5550  | 10259   |         | -       | em,uw,i |        |      | 4 ways big rotor                                   |
| 5555  | 15572   |         | -       | em,uw,i |        |      | Ø28 left wash pipe                                 |
| 5560  | 15575   |         | -       | em,uw,i |        |      | Right rinse pipe                                   |
| 5565  | 15576   |         | -       | em,uw,i |        |      | Left rinse pipe                                    |
| 5570  | 10262   |         | -       | em,uw,i |        |      | Ø10 complet rinse nozzle (minimum 2 pieces)        |
| 5575  | 13016   |         | -       | em,uw,i |        |      | 2018 OR 103 NBR O-ring (minimum 10 pieces)         |
| 5580  | 12532   |         | -       | em,uw,i |        |      | Ø10 plastic plug (minimum 3 pieces)                |
| 5585  | 13018   |         | -       | em,uw,i |        |      | OR 2087 NBR O-ring (minimum 10 pieces)             |
| 5590  | 10257   |         | -       | em,uw,i |        |      | Ø28 plastic plug (minimum 3 pieces)                |
| 5595  | 15958   |         | -       | em,uw,i |        |      | Ø28 wash/rinse group                               |
| 5600  | 10260   |         | -       | em,uw,i |        |      | Blocking ring nut rotor plaque (minimum 10 pieces) |
| 5605  | 11101/I |         | -       | em,uw,i |        |      | Stainless steel group fixing screw                 |
| 5610  | 10267   |         | -       | em,uw,i |        |      | Ø10 closed plane nozzle (minimum 2 pieces)         |
| 5615  | 11004   |         | -       | em,uw,i |        |      | 4x10 TCB Ø8 spax toothed screw                     |
| 5620  | 10263   |         | -       | em,uw,i |        |      | Ø10 opened plane nozzle (minimum 2 pieces)         |
| 5625  | 560004  |         | 4010319 | em,uw,i |        |      | Lower pipe coupling                                |
| 5625  | 560024  | 4010320 | -       | em,uw,i |        |      | Lower pipe coupling                                |
| 5630  | 560005  |         | -       | em,uw,i |        |      | Lower rinse axle                                   |

em=ELECTROMECHANICAL SWITCHES, uw=LOWER AND UPPER WASHING, i=INSULATED MODEL  
295U=295U

bt=BREAK TANK, bp=BOOSTER PUMP, dvgw=DVGW, cr=COLD RINSE, ws=WATER SOFTNER, dd=DETERGENT DISPENSER, dp=DRAIN PUMP

A=3/N/PE~380-400V 50-60Hz, D=3/PE~200-210V 50-60Hz, F=2/PE~220-240V 50-60Hz, G=3/N/PE~415V 50-60Hz, H=3/PE~220-230V 50-60Hz, K=3/PE~380-400V 50-60Hz, L=3/PE~415V 50-60Hz, M=3/PE~440V 60Hz, P=1/N/PE~220-230V 50-60Hz, R=2/PE~220-240V 50-60Hz, U=1/N/PE~240V 50-60Hz, V=3/PE~240V 50-60Hz, W=1/N/PE~100-110V 50-60Hz



17\_105\_6

## Spare parts

---

| ID  | P-code  | SN from | SN to | Mod.    | Acces. | Volt | Description      |
|---|---------|---------|-------|---------|--------|------|------------------|
| <b>Module:Turret group with rotating arms</b> |         |         |       |         |        |      |                  |
| 5635  | 13316/A |         | -     | em,uw,i |        |      | DVGW hole O-ring |

em=ELECTROMECHANICAL SWITCHES, uw=LOWER AND UPPER WASHING, i=INSULATED MODEL  
295U=295U

bt=BREAK TANK, bp=BOOSTER PUMP, dvgw=DVGW, cr=COLD RINSE, ws=WATER SOFTNER, dd=DETERGENT DISPENSER, dp=DRAIN PUMP

A=3/N/PE~380-400V 50-60Hz, D=3/PE~200-210V 50-60Hz, F=2/PE~220-240V 50-60Hz, G=3/N/PE~415V 50-60Hz, H=3/PE~220-230V 50-60Hz, K=3/PE~380-400V 50-60Hz, L=3/PE~415V 50-60Hz, M=3/PE~440V 60Hz, P=1/N/PE~220-230V 50-60Hz, R=2/PE~220-240V 50-60Hz, U=1/N/PE~240V 50-60Hz, V=3/PE~240V 50-60Hz, W=1/N/PE~100-110V 50-60Hz