

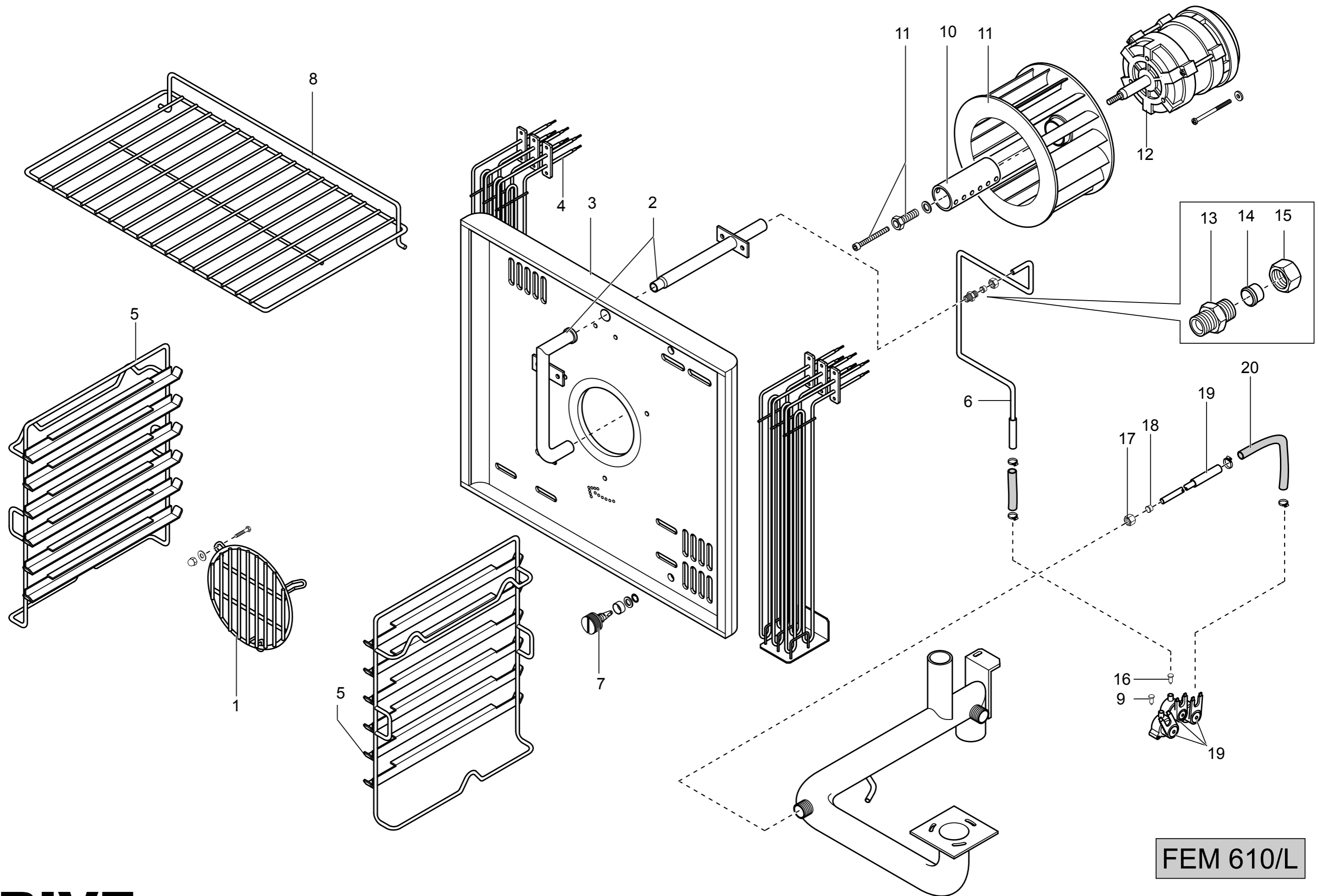
FEM 610/L
FGM 610/L

A= solo per FGM 610

DRIVE

TAV. 009

| TAVOLA | POS. | CODICE | DESCRIZIONE | DESCRIPTION | DESCRIPTION | TITEL |
|----------------|------|------------|-------------------------------|--|-------------------------------|--------------------------------|
| DRIVE TAV. 009 | 1 | GAFOC00030 | AS.CERN.SUP.SX P.F. | CHARNIÈRE SUPÉRIEURE GAUCHE | INGE PIN SUPER.LEFT | TÜRANGEL OBEN LINKS |
| DRIVE TAV. 009 | 1-1 | GAFOC00213 | AS.CERN.SUP.DX P.F. | CHARNIÈRE SUPÉRIEURE DROITE | INGE PIN SUP. RIGHT | TÜRANGEL RECHTS |
| DRIVE TAV. 009 | 2 | 161270 | GR. VETRO INT. SX/DX | C/PORTE DU FOUR GAUCHE | C/OVEN DOOR LEFT | C/OFENTÜR LINKS |
| DRIVE TAV. 009 | 3 | 161158 | AS.PORTA FORNO.SX | PORTE DU FOUR GAUCHE | OVEN DOOR LEFT | OFENTÜR LINKS |
| DRIVE TAV. 009 | 3-1 | 161619 | AS.PORTA FORNO.DX | PORTE DU FOUR DROITE | OVEN DOOR RIGHT | OFENTÜR RECHTS |
| DRIVE TAV. 009 | 4 | 161171 | VETRO ESTERNO SX/DX | VERRE EXTER GAUCHE/DROITE | EXTERNAL GASKET LEFT/RIGHT | EXTERNER GLAS RECHTS/LINKE |
| DRIVE TAV. 009 | 5 | 161107 | ASS. CASS. FORNO FEM610 | CAISSON | BODY | SCHUBLADE |
| DRIVE TAV. 009 | 5A | 161106 | ASS. CASS. FORNO FGM610 | CAISSON | BODY | SCHUBLADE |
| DRIVE TAV. 009 | 6 | PAFOC00583 | CERN.INF.P.F.DX | CHARNIÈRE INFÉRIEUR DROITE PORTE DU FOUR | INGE PIN INF. RIGHT | TÜRANGEL INF. RECHTS |
| DRIVE TAV. 009 | 6-1 | 161387 | CERN.INF.P.F.SX | CHARNIÈRE INFÉRIEUR GAUCHE PORTE DU FOUR | INGE PIN INFER.LEFT | TÜRANGEL UNTENLINKS |
| DRIVE TAV. 009 | 7 | 160912 | MANIGLIA | POIGNÉE | HANDLE | HANDGRIFF |
| DRIVE TAV. 009 | 8 | RTFOC00338 | ANELLO EST.MAN.P.F. | ANNEAU EXT. POIGNÉE PORTE DU FOUR | OUTWARD RING OVEN DOOR HANDLE | HANDGRIFF |
| DRIVE TAV. 009 | 9 | 160911 | BASETTA MANIGLIA | EPAISSEUR POIGNÉE | HANDLE | HANDGRIFF |
| DRIVE TAV. 009 | 10 | RTFOC00337 | ANELLO INT.GRADINO MAN.P.F. | ANNEAU INTERIEUR EPAISSEUR | INNER RING | INNENRING |
| DRIVE TAV. 009 | 11 | 161176 | AS. CASSETTO SX INT. P.F. | GROUPE BASSIN GAUCHE | UNIT DRAWER LEFT | GRUPPE SCHUBLADE LINKE |
| DRIVE TAV. 009 | 11-1 | 161566 | AS. CASSETTO DX INT. P.F. | GROUPE BASSIN DROITE | UNIT DRAWER RIGHT | GRUPPE SCHUBLADE RECHTS |
| DRIVE TAV. 009 | 12 | 161135 | AS.CASSETTO SX | BASSIN GAUCHE | TRAY LEFT | SCHUBLADE LINKS |
| DRIVE TAV. 009 | 12-1 | 161574 | AS.CASSETTO DX | BASSIN DROITE | TRAY RIGHT | SCHUBLADE RECHTS |
| DRIVE TAV. 009 | 13 | RTFOC00413 | PIEDINO+T.OTTAG.FGC065/87,5 | PIED | FOOT | FUSS |
| DRIVE TAV. 009 | 14 | RTFOC00711 | MICROINT.FCV. | MICRO-INTERRUPTEUR PORTE DU FOUR | MICRO OVEN DOOR | MIKRO OFENTÜR |
| DRIVE TAV. 009 | 15 | 165050 | AS.CRUSCOTTO | PANNEAU DE CONTRÔLE | CONTROL PANEL | STIRNBRETT |
| DRIVE TAV. 009 | 16 | PAFOC00491 | FIANCO DX | CÔTÉ DROITE | RIGHT SIDE | RECHTE SEITE |
| DRIVE TAV. 009 | 17 | 165337 | POSTERIORE INOX | PANNEAU POSTERIEUR | BACK PANEL | HINTEN |
| DRIVE TAV. 009 | 18 | 161204 | AS.COPERCHIO FEM610 | COUVERCLE EXT. | COVER EXT. | ABDECKUNG |
| DRIVE TAV. 009 | 18A | 161202 | AS. COPERCHIO FGM610 | COUVERCLE EXT. | COVER EXT. | ABDECKUNG |
| DRIVE TAV. 009 | 19 | PAFOC00493 | FIANCO SX | CÔTÉ GAUCHE | LEFT SIDE | LINKE SEITE |
| DRIVE TAV. 009 | 20 | 161502 | AS. GHIERA BLOCCO VETRO | GROUPE BAGUE BLOCAGE VERRE | UNIT LUCKING GLASS NUT | GRUPPE GEFESTIGUNGSMUTTER GLAS |
| DRIVE TAV. 009 | 21 | GAFOC00027 | AS.C/FORO CASS. | COUVRE TROU | PLUG | LOCHABDECKUNGSPROPFEN |
| DRIVE TAV. 009 | 22 | RTFOC00555 | AT.GRIGLIA LAT.F. | ATTAQUE GRILLE LATÉRALE | GRILL CONNECTION SIDE | GRILLAUFPLAGE SEITE |
| DRIVE TAV. 009 | 23 | RTFOC00197 | MOTORIDUTTORE | DÉMARREUR | MOTOR | MOTOR |
| DRIVE TAV. 009 | 24 | RTFOC00192 | ALBERO SCARICO | ARBRE | SHAFT | WELLE |
| DRIVE TAV. 009 | 25 | RTFOC00711 | MICROINTERRUTTORE | MICRO-INTERRUPTEUR | MICROSWITCH | MIKROSCHALTER |
| DRIVE TAV. 009 | 26 | RTFOC00553 | ASTA SCARICO CONDENSA | BARRE TRANSVERSAL | ROD TRANSVERS. | STAB |
| DRIVE TAV. 009 | 27 | PAFOC00680 | DISCO INF.SCARICO COND. | DISQUE INFÉRIEUR DÉCHARGÉ | DISC INFER. OUTLET | SCHEIBE UNTEN AUSGANG |
| DRIVE TAV. 009 | 28 | RTFOC00382 | *CORNICI FIS.VETRO P/LAMP. | CADRE DU PORTELAMPE | MOULDING P/LAMP | UMRAHMUNG P/LAMPE |
| DRIVE TAV. 009 | 29 | 161283 | GUARNIZIONE P/LAMPADA | GARNITURE DU PORTELAMPE | GASKET P/LAMP | DICHTUNG P/LAMPE |
| DRIVE TAV. 009 | 30 | RTFOC00201 | *VETRO P/LAMPADA | VERRE DU PORTELAMPE | GLASS P/LAMP | GLAS P/LAMPE |
| DRIVE TAV. 009 | 31 | 161281 | PORTA LAMPADA | PORTELAMPE | DOOR LAMP | PORTA LAMPE |
| DRIVE TAV. 009 | 32 | 161282 | LAMPADA | LAMPE | LAMP | LAMPE |
| DRIVE TAV. 009 | 33 | RTFOC00009 | GANCIO | CROCHET | HOOK | HAKEN |
| DRIVE TAV. 009 | 34 | RTFOC00005 | ZOCCOLO ESTERNO | GODET EXTÉRIEUR | OUTWARD BASE | SOCKEL AUSSEN |
| DRIVE TAV. 009 | 35 | 161513 | MOLLA FERMO GHIERA | RESSORT DE LA SERRURE DU VIROLE | FERRULE LOCK SPRING | FEDER DES MUTTER-SCHLOSSES |
| DRIVE TAV. 009 | 36 | RTMIN00022 | DADO CIECO | ECROU | NUT | MUTTER |
| DRIVE TAV. 009 | 37 | 161580 | AS. PROTEZIONE SERRATURA DX | GROUPE PROTECTION SERRURE DROITE | UNIT RIGHT LOCK PROTECTION | GRUPPE SHUTZSCHLOSS RECHTZ |
| DRIVE TAV. 009 | 37-1 | 161150 | AS. PROTEZIONE SERRATURA SX | GROUPE PROTECTION SERRURE GAUCHE | UNIT LEFT LOCK PROTECTION | GRUPPE SHUTZSCHLOSS LINKE |
| DRIVE TAV. 009 | 38 | 161411 | GUARNIZIONE CRUSCOTTO | GARNITURE PANNEAU DE CONTRÔLE | CONTROL PANEL GASKET | DICHTUNG STIRNBRETT |
| DRIVE TAV. 009 | 39 | RTFOC00721 | GUARNIZIONE FACCIATA | GARNITURE DEVANTURE | GASKET FACE | DICHTUNG OFENVORDERWAND |
| DRIVE TAV. 009 | 40 | RTFOC00302 | ANELLO TENUTA ALB.MOT. | ANNEAU | RING | RING |
| DRIVE TAV. 009 | 41 | 161477 | DISTANZIALE GOMMINO P.F. | BOUCHON DE LA PORTE | DOOR RUBBER CAP | TÜRGUMMI |
| DRIVE TAV. 009 | 42 | GAFOC00005 | SERRATURA | SERRURE | LOCK | SCHLOSS |
| DRIVE TAV. 009 | 43 | RTFOC00057 | ZOCCOLO CENTRALE | GODET CENTRAL | CENTRAL BASE | SOCKEL ZENTRAL |
| DRIVE TAV. 009 | 44 | PAFOC00329 | DISCO SCARICO COND.FEC200 | DISQUE DÉCHARGÉ | DISK OUTLET | SCHEIBE AUSGANG |
| DRIVE TAV. 009 | 45A | AFC0000012 | CAMINO ANTIVENTO | CHEMINÉE ANTIVENT | CHIMNEY | KAMIN WINDSCHUTZ |
| DRIVE TAV. 009 | 46A | RTFOC00229 | CAMINO SUP.FGM061 | CHEMINÉE SUPÉRIEURE | UPPER CHIMNEY | OBERER SCHORNSTEIN |
| DRIVE TAV. 009 | 47 | RTFOC00514 | DISTANZ.INF/SUP SERR.FGC060/1 | ENTRTOISE | SPACER | DISTANZSTÜCK |
| DRIVE TAV. 009 | 48 | RTFOC00515 | DISTANZ.CENT.SERR.FGC060/1 | ENTRTOISE | SPACER | DISTANZSTÜCK |

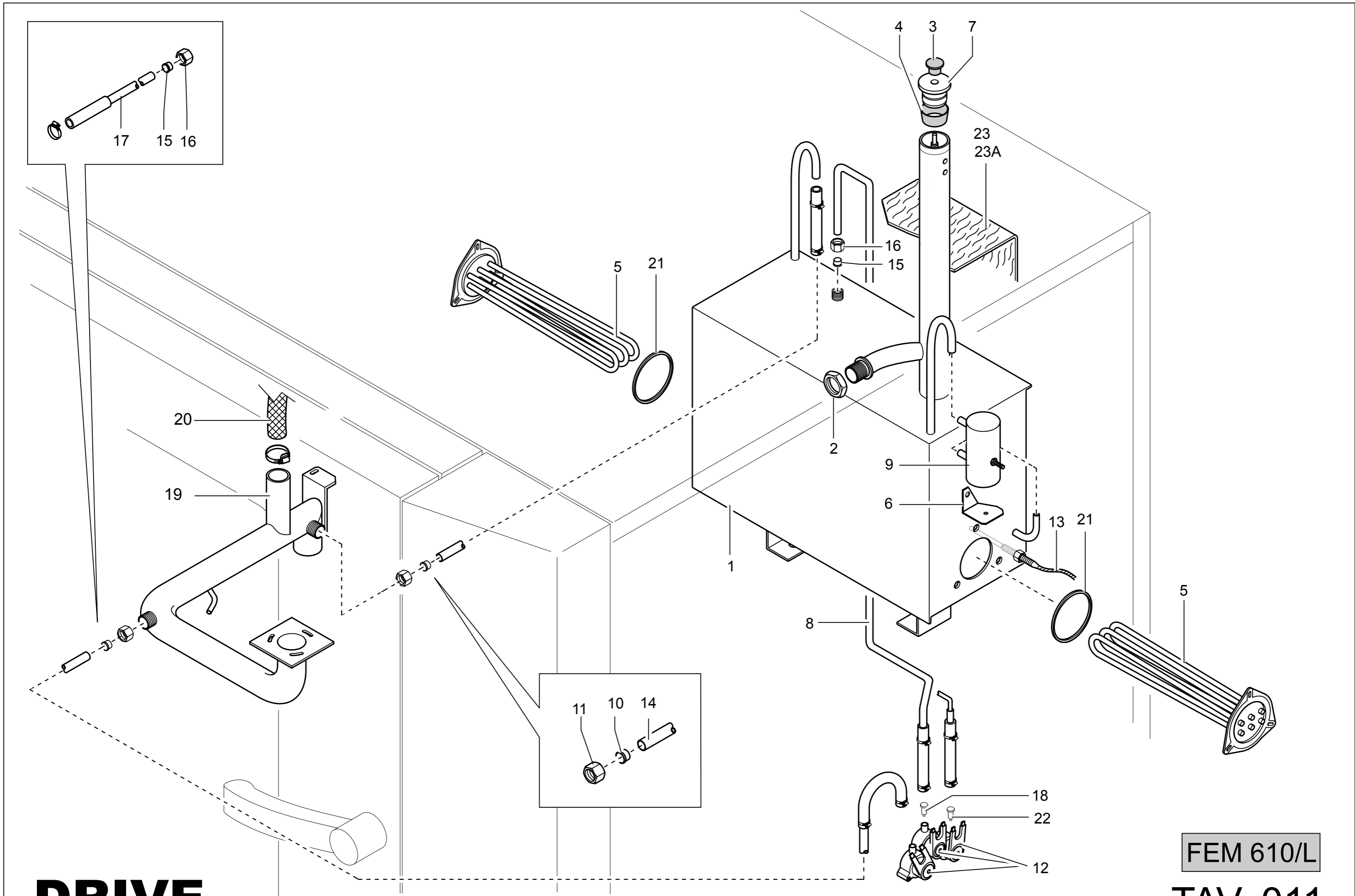


DRIVE

FEM 610/L

TAV. 010

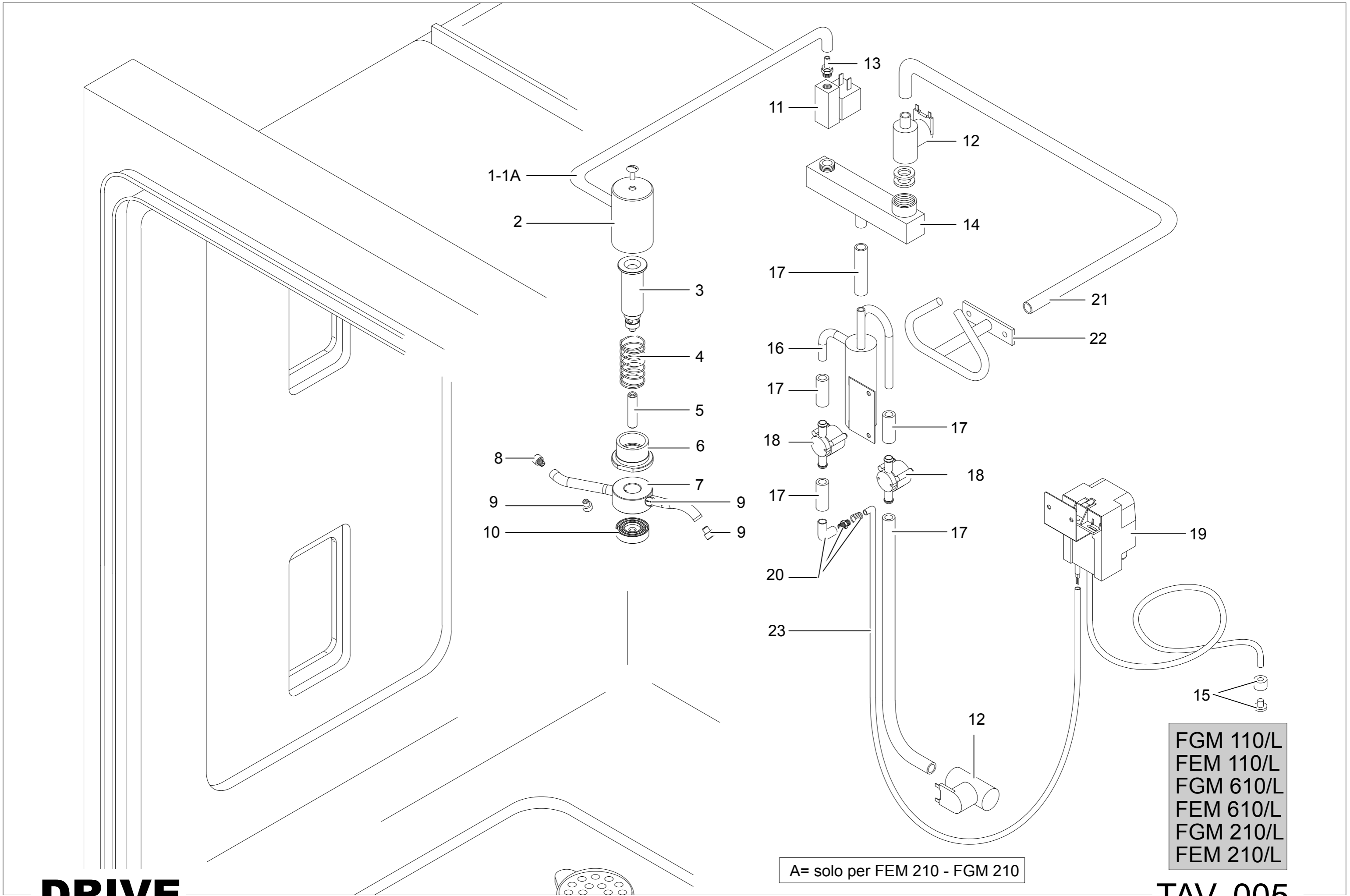
| Tavola | POS. | Codice | DESCRIZIONE | DESCRIPTION | DESCRIPTION | TITEL |
|----------------|------|------------|-------------------------------------|--------------------------------|---------------------------|-------------------------------|
| DRIVE TAV. 010 | 1 | RTFOC00174 | GRIGLIA PROT.VENT. | GRILLE DE PROTECTION | GRILL IMPELLER PROTECTION | SCHUTZGITTER SCHORNSTEIN |
| DRIVE TAV. 010 | 2 | RTFOC00487 | TU.UMIDIFICATORE | HUMIDIFICATEUR | HUMIDIFIER | BEFEUCHTER |
| DRIVE TAV. 010 | 3 | 161347 | CONV.ARIA | CONVOYEUR DE L'AIR | CHIMNEY | SCHORNSTEIN |
| DRIVE TAV. 010 | 4 | RTFOC00628 | RESISTENZA ELET. 2,5KW | RESISTANCE ELET. 2,5KW | RESISTANCE ELET. 2,5KW | WIEDERSTAND ELET. 2,5KW |
| DRIVE TAV. 010 | 5 | RTFOC00526 | GRIGLIA LAT.FCVM/6G INOX | GRILLE LATÉRALE DROITE -GAUCHE | GRILL SIDERIGHT -LEFT | GRILL SEITERECHTS -LINKS |
| DRIVE TAV. 010 | 6 | RTFOC00532 | TU.AL.ACQ.UMIDIF. | TUBE HUMIDIFICATEUR | PIPE HUMIDIFIER | ROHR BEFEUCHTER |
| DRIVE TAV. 010 | 7 | RTFOC00334 | AT.RAPIDO | ATTAQUE RAPIDE | CONNECTION | SCHNELLANSCHLUSS |
| DRIVE TAV. 010 | 8 | RTFOC00175 | GRIGLIA FORNO GN 1/1 | GRILLE DU FOUR GN 1/1 | GRILL OVEN GN 1/1 | GRILL HERD GN 1/1 |
| DRIVE TAV. 010 | 9 | RTFOC00145 | REGOLAT.E/VALV.FCV.BIANCO/1,2 99208 | REGULATEUR DE PORTÉE | FLOWREGULATOR | DURCHSTRÖMUNGSREGLER |
| DRIVE TAV. 010 | 10 | RTFOC00437 | NEBULIZZATORE | NÉBULISATEUR | DISTRIBUTOR | ZERSTÄUBER |
| DRIVE TAV. 010 | 11 | 161275 | GIRANTE VENT.10G D.270 P.R. | MOBILE 50HZ | IMPELLER 50HZ | LAUFRAD 50HZ |
| DRIVE TAV. 010 | 12 | RTFOC00696 | MOTORE VENT.FEC100 | MOTEUR | MOTOR | MOTOR |
| DRIVE TAV. 010 | 13 | RTFOC00557 | INIET.UMIDIF.FCV D.1.5 | INJECTEUR HUMIDIFICATEUR | INJECTOR HUMIDIFIER | EINSPRITZER BEFEUCHTER |
| DRIVE TAV. 010 | 14 | RTCU900018 | BICONO D.6 | BICONE POUR TUBE Ø 6 | BICONE FOR PIPE Ø 6 | ZWEIKEGEL Ø 6 |
| DRIVE TAV. 010 | 15 | RTFOC00020 | CALOTTA UMIDIF. | ECROU | NUT | MUTTER |
| DRIVE TAV. 010 | 16 | RTFOC00120 | REGOLAT.E/VALV.FCV.ROSSO/0,25 | REGULATEUR DE PORTÉE | FLOWREGULATOR | DURCHSTRÖMUNGSREGLER |
| DRIVE TAV. 010 | 17 | RTCU900013 | CALOTTA D.10 | ECROU D.10 | NUT D.10 | MUTTER D.10 |
| DRIVE TAV. 010 | 18 | RTCU900012 | BICONO D.10 | BICONE D.10 | DOUBLE CONE D.10 | DOPPELKONUS D.10 |
| DRIVE TAV. 010 | 19 | RTFOC00520 | ELETTROVALVOLA | SOUPAPE | ELECTRIC VALVE | ELEKTROVENTIL |
| DRIVE TAV. 010 | 20 | 161508 | TUBO IN GOMMA | VITE FISSAGGIO GIRANTE | FIXINGSCREW IMPELLER | BEFESATIGUNGSSCHRAUBE LAUFRAD |
| DRIVE TAV. 010 | 21 | 161521 | TU.AB.VAPORI | TUYAU DÉTACHEMENT VAPEUR | PIPE STEAM | ROHR DAMPF |



DRIVE

FEM 610/L
TAV. 011

| TAVOLA | POS. | CODICE | DESCRIZIONE | DESCRIPTION | DESCRIPTION | TITEL |
|----------------|------|------------|-------------------------------------|---|---|---|
| DRIVE TAV. 011 | 1 | 165067 | BOILER E.FEM610 | BOILER | BOILER | BOILER |
| DRIVE TAV. 011 | 2 | RTFOC00186 | DADO 3/4"ES.INOX FCVM | ECROU3/4" | NUT 3/4" | MUTTER 3/4" |
| DRIVE TAV. 011 | 3 | 161660 | MANOP.COND.FCV.GRIGIA EKK25BM6 | BOUTON | KNOB | DREHGRIF |
| DRIVE TAV. 011 | 4 | RTFOC00213 | GUARNIZ.VALV.PESO FGM061 | GARNITURE | GASKET | DICHTUNG |
| DRIVE TAV. 011 | 5 | RTFOC00150 | R.BOY.FEM.7,5KW2301GEL7D201004 | RESISTANCE | RESISTANCE | WIDERSTAND |
| DRIVE TAV. 011 | 6 | 162282 | SQ.FIS.CONTROLLO LIV.BOY.F.HOBART | EGUERRE | BRACKET | STEUERTAFEL |
| DRIVE TAV. 011 | 7 | RTFOC00212 | VALVOLA PESO | VALVE | VALVE | VENTIL |
| DRIVE TAV. 011 | 8 | 165746 | TU.AL.ACQ.BOYLER FEM610 | TUBE DE CHARGEMENT DE L'EAU | WATER FEEDING TAP | VERSORGUNGSROHR |
| DRIVE TAV. 011 | 9 | 164518 | REGOLATORE LIV.BOY.F.HOBART | REGULATEUR | REGULATOR | REGLER |
| DRIVE TAV. 011 | 10 | RTCP900088 | BICONO D.14 CP | BICONE | DOUBLE CONE | DOPPELKONUS |
| DRIVE TAV. 011 | 11 | RTCP900089 | CALOTTA OT.D.14 CP | ECROU | NUT | MUTTER |
| DRIVE TAV. 011 | 12 | RTFOC00520 | E/VALVOLA FCV.3V.209035 | SOUPAPE | ELECTRIC VALVE | ELEKTROVENTIL |
| DRIVE TAV. 011 | 13 | 164484 | T/COPPIA 6X100 K F.HOBART MBM00018 | THERMOCOUPLE | THERMCOPPIA | WAERMEPAAR |
| DRIVE TAV. 011 | 14 | 165070 | TU.SCARICO ACQ.BOY.FEM610 | TUBE DE DECHARGE DE L'EAU | WATER DISCHARGE PIPE | WASSERABLASSROHR |
| DRIVE TAV. 011 | 15 | RTCU900012 | BICONO D.10 | BICONE POUR TUYAU Ø 10 | BICONE Ø10 | ZWEIKEGEL Ø10 |
| DRIVE TAV. 011 | 16 | RTCU900013 | CALOTTA D.10 | ECROU | NUT | MUTTER |
| DRIVE TAV. 011 | 17 | 161521 | TU.AB.VAPORI FGMD/FEMD 107/109 | TUYAU DÉTACHEMENT VAPEUR | PIPE STEAM | ROHR DAMPF |
| DRIVE TAV. 011 | 18 | RTFOC00145 | REGOLAT.E/VALV.FCV.BIANCO/1,2 99208 | REGULATEUR DE PORTÉE BOILER 1,2 L/M (BLANC) | BOILER FLOW REGULATOR 1,2 L/MIN (WHITE) | DURCHFLUSSREGLER BOILER 1,2 L/M (BIRNE) |
| DRIVE TAV. 011 | 19 | 161212 | RAMPA SC.COND.INF.FGM67/69 | RAMPE DU DÉCHARGEMENT CONDENSE | RAMP OUTLET COND. | DUNSTHAUBE |
| DRIVE TAV. 011 | 20 | 161508 | TUBO GOMMA SC.COND.FCV.D.36X4,0 | TUBE EN CAOUTCHAUC | RUBBER PIPE | ROHR GUMMI |
| DRIVE TAV. 011 | 21 | RTBF900033 | GUARNIZIONE RESISTENZA BOYLER | GARNITURE | GASKET | DICHTUNG |
| DRIVE TAV. 011 | 22 | RTFOC00120 | REGOLAT.E/VALV.FCV.ROSSO/0,25 99206 | REGULATEUR DE PORTÉE | FLOW REGULATOR | DURCHFLUSSREGLER |
| DRIVE TAV. 011 | 23 | 165659 | IS.EST.BOYLER FEM610 | PROFIL ISOLANT | INSULATING BAND | ISOLIERPROFIL |
| DRIVE TAV. 011 | 23A | 165662 | IS.INT.BOYLER FEM610 | PROFIL ISOLANT | INSULATING BAND | ISOLIERPROFIL |



A= solo per FEM 210 - FGM 210

FGM 110/L
 FEM 110/L
 FGM 610/L
 FEM 610/L
 FGM 210/L
 FEM 210/L

| TAVOLA | POS. | CODICE | ITALIANO | FRANCESE | INGLESE | TEDESCO |
|----------------|------|------------|--|--|-------------------------------|-----------------------|
| DRIVE TAV. 005 | 1 | 165283 | TU.AL.ROTORE LAV. F. (FEM110-FGM110-FEM610-FGM610) | TUYAU LAVAGE (FEM110-FGM110-FEM610-FGM610) | WASH ARM SUPPLY PIPE | ZULEITUNG WASCHARM |
| DRIVE TAV. 005 | 1A | 165738 | TU.AL.ROTORE LAV. F. (FEM210 - FGM210) | TUYAU LAVAGE (FEM210 - FGM210) | WASH ARM SUPPLY PIPE | ZULEITUNG WASCHARM |
| DRIVE TAV. 005 | 2 | 165113 | CALOTTA ROTORE LAV.F. | CORPS DE TOURNIQUET | ROTOR COVER | HALTER WASCHARM |
| DRIVE TAV. 005 | 3 | 165111 | ASSE ROTORE LAV.F. | AXE DU TOURNIQUET | WASHING DRIVE SHAFT | ACHSE |
| DRIVE TAV. 005 | 4 | 165116 | MOLLA ROTORE LAV.F. | RESSORT TOURNIQUET | SPRING ROTOR | FEDER |
| DRIVE TAV. 005 | 5 | 165110 | PERNO OTT.ROTORE LAV.F. | OBTURATEUR TOURNIQUET | ROTOR OBTURATOR | BOLZEN |
| DRIVE TAV. 005 | 6 | 165115 | BOCCOLA FIS.ASSE ROTORE LAV.F. | PALIER TOURNIQUET | BUSHING FIXING ROTOR | BUCHSE |
| DRIVE TAV. 005 | 7 | 165538 | GRUPPO SUP.BRACCI LAVAGGIO | TOURNIQUET | WASH ARM | HAUPTTEIL WASCHARM |
| DRIVE TAV. 005 | 8 | 165281 | UGELLO LAVAGGIO D1.5 F.HOBART | BUSE SPECIALE EXTREMITE | WASH INJECTOR DIAMETER 1,5 mm | DUSE |
| DRIVE TAV. 005 | 9 | 165279 | UGELLO LAVAGGIO F.HOBART 140019 | BUSE | WASH INJECTOR | DUSE |
| DRIVE TAV. 005 | 10 | 165112 | GHIERA BLOCCAGGIO ROTORE LAV. | ECROU DU TOURNIQUET | RING NUT ROTOR | ABDECKSCHRAUBE |
| DRIVE TAV. 005 | 11 | 165596 | E/VALV.N-A F.DRIVE+BOBINA RD263DVH+7701 | ELECTROVANNE | ELECTRIC VALVE | MAGNETVENTIL |
| DRIVE TAV. 005 | 12 | RTFOC00022 | E/VALVOLA FCV.1V.207038 | ELECTROVANNE | ELECTRIC VALVE | MAGNETVENTIL |
| DRIVE TAV. 005 | 13 | RTFOC00626 | RACCORDO PORTAGOMMA | TETINE | UNION RUBBER | ANSCHLUßSHTCK |
| DRIVE TAV. 005 | 14 | 165633 | COLLETTORE LAV.F.DRIVE | NOURRICE EV LAVAGE | WASHING COLLECTOR | VERTEILER |
| DRIVE TAV. 005 | 15 | 165597 | FILTRO DI FONDO LAV.FORNO 9900106162 | EMBOUT FILTRE PRISE DETERGENT | FILTER | ANSAUGFILTER |
| DRIVE TAV. 005 | 16 | 165282 | SERBATOIO LAVAGGIO | BOITE DE RUPTURE | WATER SOAP SEPARATOR TANK | BEHALTER |
| DRIVE TAV. 005 | 17 | 165791 | TUBO GOMMA/D.10X17 10ATM.EUROC | TUYAU SOUPLE 10Bars 10X17 | RUBBER PIPE | SCHLAUCH |
| DRIVE TAV. 005 | 18 | 165048 | E/VALV.DI RITEGNO | CLAPET ANTI RETOUR | NON RETURN VALVE | MAGNETVENTIL |
| DRIVE TAV. 005 | 19 | 165280 | DOSATORE PERISTATICO | POMPE DE DOSAGE | DETERGENT PUMP | DOSIERGERAT |
| DRIVE TAV. 005 | 20 | 165290 | RACCORDO DOSAGGIO DET.LAV.F.9900107047 | RACCORD POMPE DE DOSAGE | DOSAGE CONNECTION | ANSCHLUßWINKEL |
| DRIVE TAV. 005 | 21 | 165503 | TU.INT.LAVAGGIO F.FGM610 | TUBE LAVAGE ARRIERE F.FGM610 | PIPE | ANSCHLUßLEITUNG |
| DRIVE TAV. 005 | 22 | 165665 | EROGATORE ACQ.LAV.INT.F.FGM610 | BUSE LAVAGE ARRIERE | DISTRIBUTING WATER | WASSERVERTEILER |
| DRIVE TAV. 005 | 23 | 165285 | TU.PESCAGGIO DET.LAV. | TUYAU PRISE DETERGENT | DETERGENT PIPE | SCHLAUCLE DOSIERGERAT |