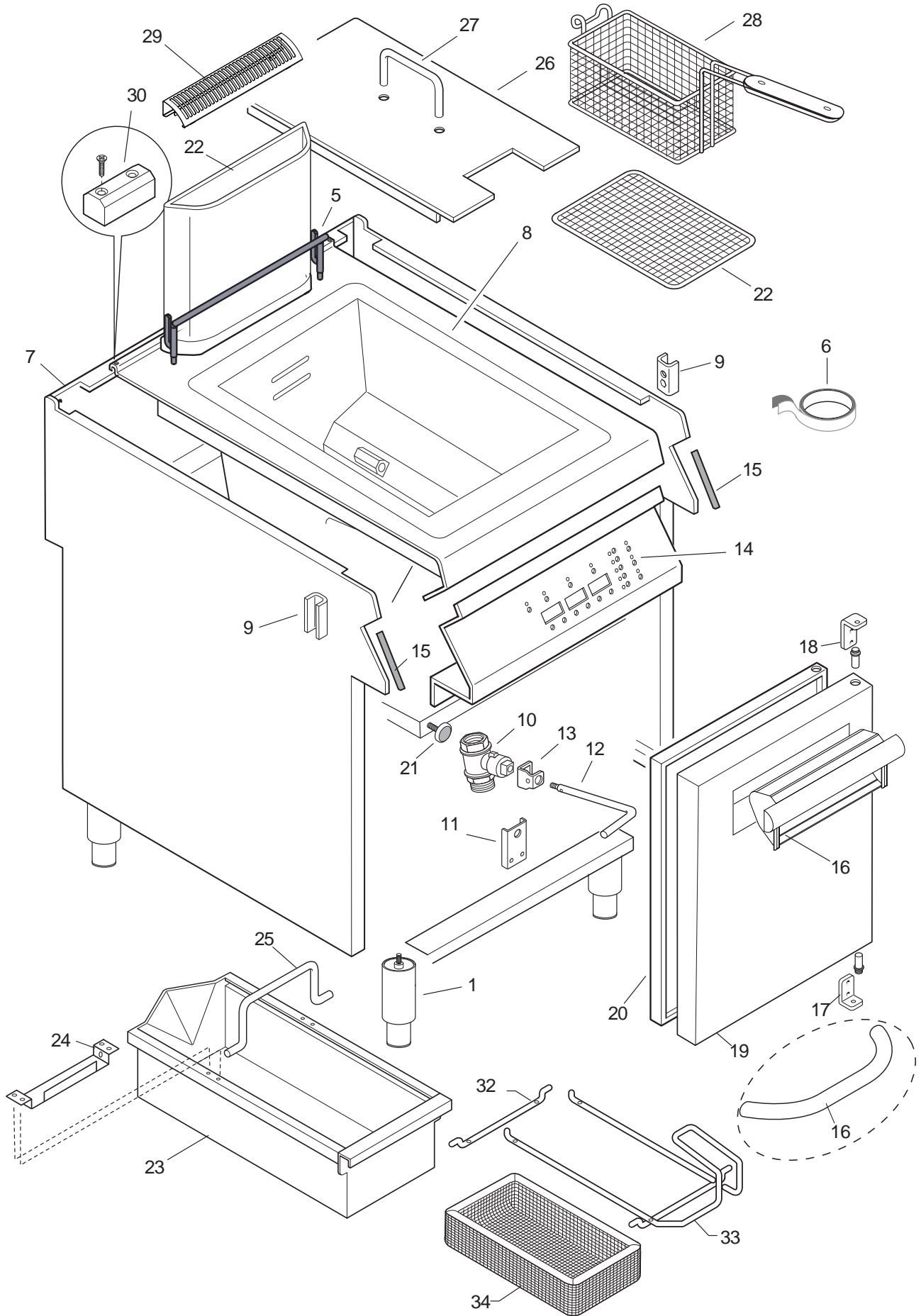
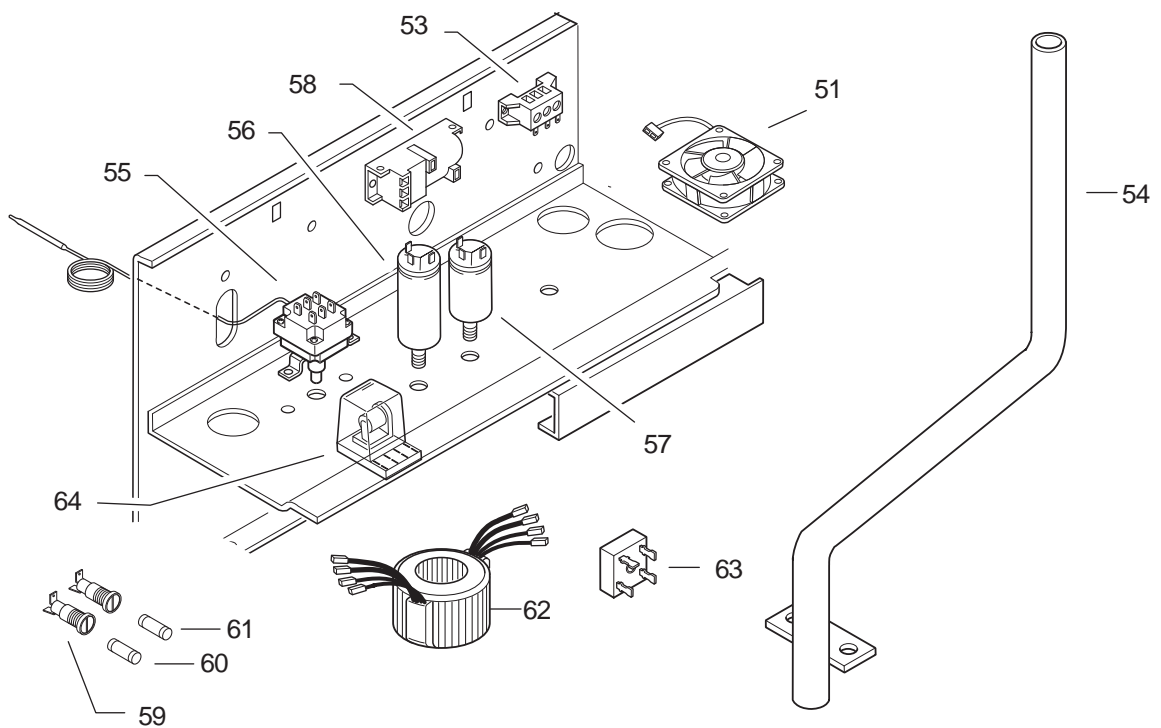
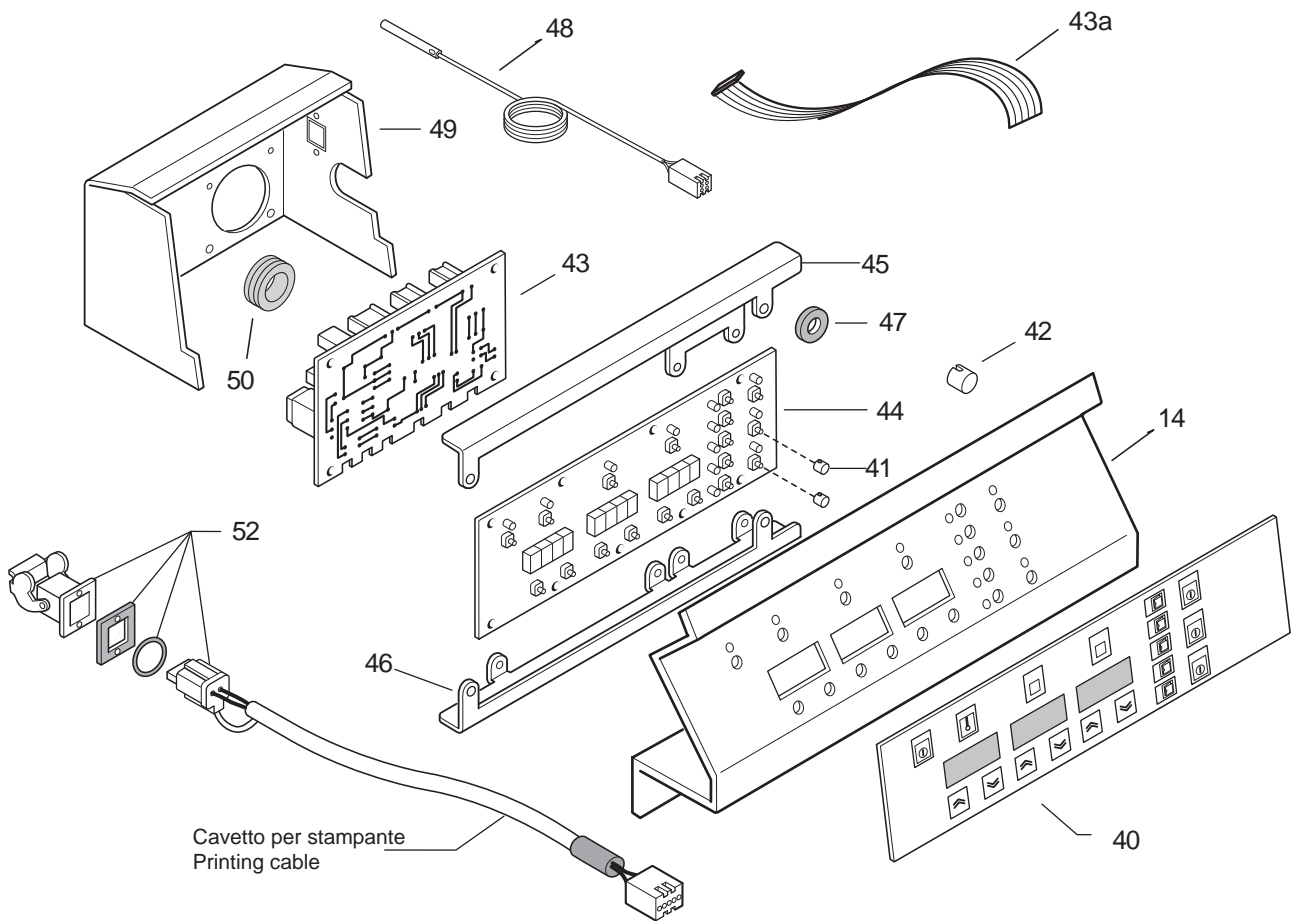


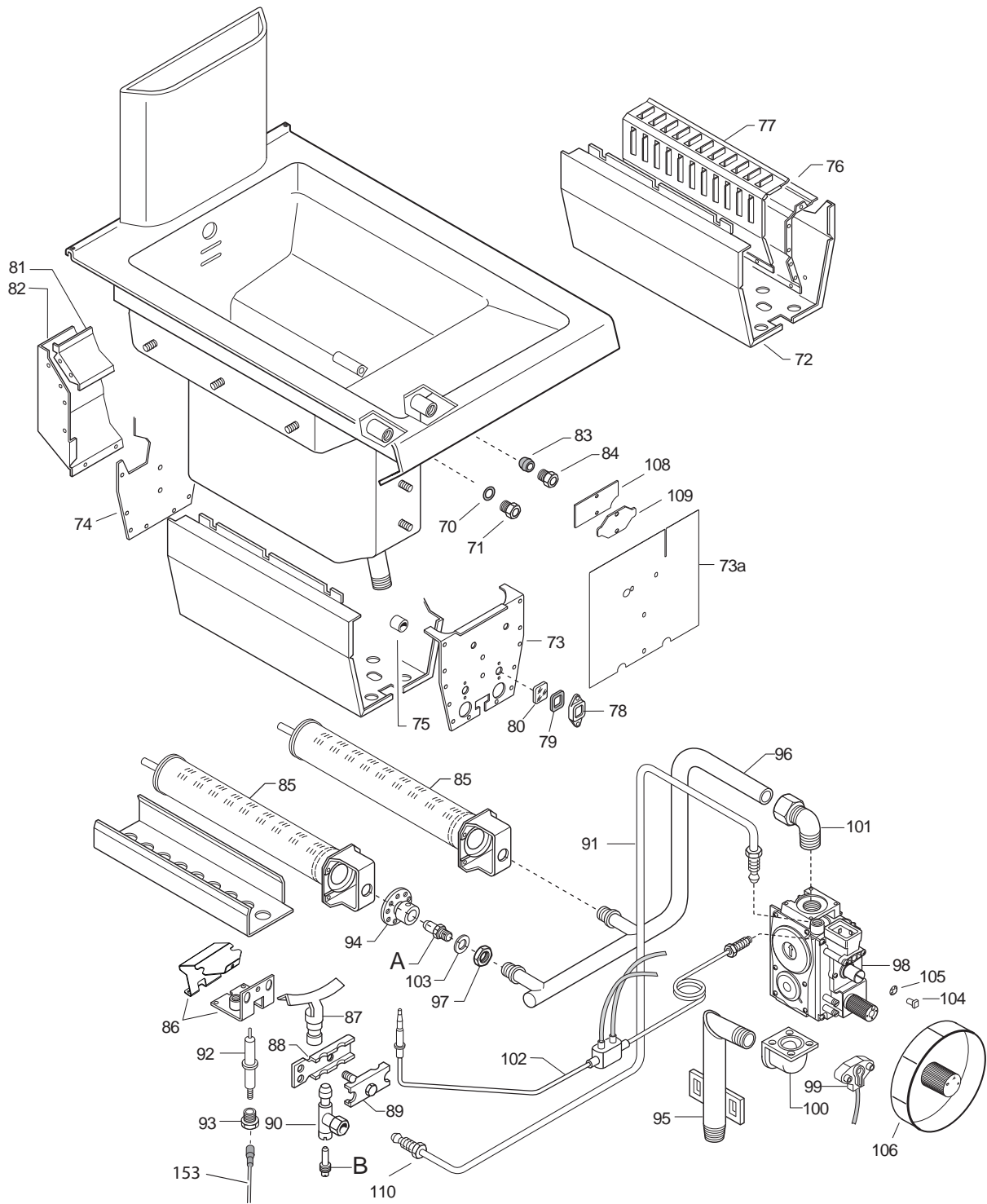
PNC	Model	Ref	Pag.	Brand	Version	Notes
391081	E9FRGD1JFE	a	2-5	ELX	GAS	23LT ELECTRONIC CONTROL
391082	E9FRGD1JFO	b	2-5	ELX	GAS	23LT ELECTR.CONTROL+OIL FILTER
391083	E9FRGD1JFP	c	2-5	ELX	GAS	23L PROG.-ELEC.CONTR+OIL FILT.
392081	Z9FRGD1JFE	d	2-5	ZAN	GAS	23LT ELECTRONIC CONTROL
392082	Z9FRGD1JFO	e	2-5	ZAN	GAS	23LT ELECTR.CONTROL+OIL FILTER
392083	Z9FRGD1JFP	f	2-5	ZAN	GAS	23L PROG.-ELEC.CONTR+OIL FILT.
393081	A9FRGD1JFE	g	2-5	OEM	GAS	23LT ELECTRONIC CONTROL
393082	A9FRGD1JFO	h	2-5	OEM	GAS	23LT ELECTR.CONTROL+OIL FILTER
393083	A9FRGD1JFP	i	2-5	OEM	GAS	23LT PROGRAMMABLE-ELEC.CONTR+O

Pag	Index	Indice	Note
2	General componets	Componenti struttura	
3	Electric Components	Componenti elettrici	
4	Gas components	Componenti Gas	
5	Electric Components	Componenti elettrici	
6,7,8	Spare parts list	Lista ricambi	

Brand/Marchio: All  
 Factory code: 9PDX

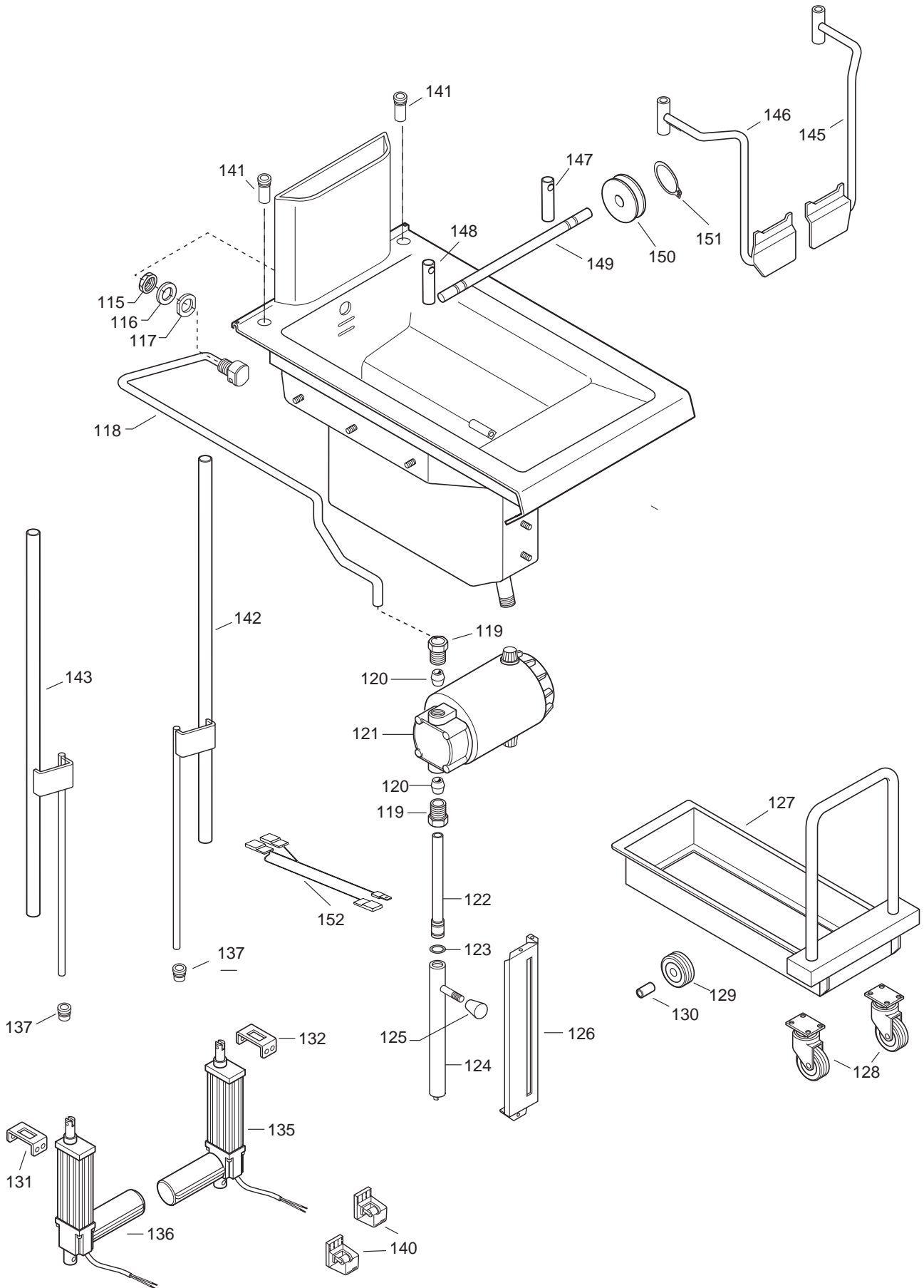






B - Ugello pilota / Pilot nozzle	
Spare Code	Ref./ Notes
003327	n°40 2H/2E+ G20 20mbar
003327	n°40 2ELL G25 20mbar
003327	n°40 2L G25 25mbar
058525	n°30 3+3B/P G30/31 28-30/37mbar
<b>058525</b>	<b>n°30 Propane KOREA</b>
<b>003327</b>	<b>n°40 Methane KOREA</b>
REG / ADJ	n°70 No CE G20 10mbar
REG / ADJ	n°25 No CE G110 8mbar

A - Ugello bruciatore / Burner nozzle	
Spare Code	Ref. / Notes
006419	ø2.90 2H/2E+ G20 20mbar
054084	ø3.20 2ELL G25 20mbar
054084	ø3.20 2L G25 25mbar
003723	ø1.75 3+3B/P G30/31 28-30/37mbar
<b>054033</b>	<b>ø1.90 Propane KOREA</b>
<b>003371</b>	<b>ø2.65 Methane KOREA</b>
055388	ø3.30 No CE G20 10mbar
059365	ø5.50 No CE G110 8mbar



**FRIGGITRICI GAS ELETTRONICHE 23L E900XP**  
**GAS ELECTRONIC FRYERS 23L E900XP**

<i>Pos</i>	<i>Factory Code</i>	<i>Spare part Code</i>	<i>Descrizione</i>	<i>Description</i>	<i>Ref./Note</i>
1	835856900	0C0204	PIEDE	FOOT	
2					
3					
4					
5	516847803	006583	SUPPORTO CESTELLO	BASKET SUPPORT	
6	147018072	*	ADESIVO STRUTTURALE	STRUCTURAL ADHESIVE	
7	85089DY02	OCA526	FASCIA 400mm	EXTERNAL PANEL 400mm	ELX
7	85089F301		FASCIA 400mm	EXTERNAL PANEL 400mm	ZAN, OEM
7	538844701		SCHIENALE	BACK PANEL	with Oil Filter
7	85089JC00		FIANCO DESTRO	RIGHT PANEL	ELX with Oil Filter
7	85089JF00		FIANCO DESTRO	RIGHT PANEL	ZAN, OEM – Oil Filter
7	85089JD00		FIANCO SINISTRO	LEFT PANEL	ELX with Oil Filter
7	85089JG00		FIANCO SINISTRO	LEFT PANEL	ZAN, OEM – Oil Filter
<b>7</b>	<b>050389HH00</b>	<b>OCB151</b>	<b>FIANCO SINISTRO</b>	<b>LEFT PANEL</b>	<b>c</b>
<b>7</b>	<b>050389HK00</b>	<b>OCB152</b>	<b>FIANCO SINISTRO</b>	<b>LEFT PANEL</b>	<b>f i</b>
<b>7</b>	<b>050389HJ00</b>	<b>OCB153</b>	<b>FIANCO DESTRO</b>	<b>RIGHT PANEL</b>	<b>c</b>
<b>7</b>	<b>050389HL00</b>	<b>OCB154</b>	<b>FIANCO DESTRO</b>	<b>RIGHT PANEL</b>	<b>f i</b>
8	87089AL00	0C7490	RIPIANO / VASCA 400mm	WORKTOP / TANK 400mm	ELX
8	87089AR00		RIPIANO / VASCA 400mm	WORKTOP / TANK 400mm	ELX, PROGR.
8	87089C600	0C7505	RIPIANO / VASCA 400mm	WORKTOP / TANK 400mm	ZAN, OEM
8	87089C400	0C7503	RIPIANO / VASCA 400mm	WORKTOP / TANK 400mm	ZAN, OEM - PROGR.
9	527850500	0C0156	PIASTRA FISSAGGIO FIANCHI	SIDE PANEL JOINTING PLATE	
10	835855000	006688	VALVOLA SCARICO	DRAIN VALVE	
11	527845001	0C0607	SUPPORTO LEVA SCARICO	SUPPORT, DRAIN EXTENSION	
12	516868800	0C0608	PROLUNGA PER SCARICO	DRAIN EXTENSION	
13	508897003	006877	GUIDA PER PROLUNGA SCARICO	GUIDE, DRAIN EXTENSION	
14	85589AJ00	0C7896	CRUSCOTTO 400mm	CONTROL PANEL 400mm	ELX
14	87089J701	0C7518	CRUSCOTTO 400mm	CONTROL PANEL 400mm	ZAN
14	87089JB01	0C7521	CRUSCOTTO 400mm	CONTROL PANEL 400mm	OEM
15	543821900	0L0113	GUARNIZIONE X CRUSCOTTO	GASKET, CONTROL PANEL	
16	51589A700	0C7164	MANIGLIA	HANDLE	ELX
16	54887A800	0C8190	MANIGLIA	HANDLE	ZAN
16	854864203	0A5021	MANIGLIA	HANDLE	OEM
17	516860801	0C0138	CERNIERA	HINGE, DOOR	
18	516860901	0C0139	CERNIERA	HINGE, DOOR	
19	50389G300	0C7157	PORTA DESTRA	RIGHT DOOR	ELX
19	50389MB01		PORTA DESTRA	RIGHT DOOR	ZAN, OEM
20	50489CQ00	0C7158	CONTROPORTA	INNER DOOR	
21	830898200	0C0201	MAGNETE PER PORTA	MAGNET, DOOR	
22	830884701	006130	GRIGLIA DI FONDO	GRATE FOR BOTTOM	
23	522854700	0C0611	BACINELLA PER OLIO	BASIN FOR BASIN	
24	528822801	0C0612	SUPPORTO MANIGLIA BACINELLA	SUPPORT FOR HANDLE, BASIN	
25	516849501	006131	MANIGLIA BACINELLA	HANDLE, BASIN	
26	529889901	0C1014	COPERCHIO FRIGG. ACTIVE	LID, ACTIVE FRYER	
26	529890101	0C0613	COPERCHIO FRIGG. 23lt	LID, 23lt FRYER	
27	511819000	0C0614	MANIGLIA COPERCHIO	HANDLE, LID	
28	850894500	006133	CESTELLO	BASKET	
29	50489JL00	0C7161	GRIGLIA CAMINO	GRID, CHIMNEY	
30	516860702	0C0137	PIASTRA GIUNZIONE APPARECC.	JOINTING REAR PLATE	
31					
32	516848000	006160	TELAIO PER FILTRO	FRAME, OIL FILTER	
33	516848101	006161	TRAVERSA PER FILTRO	CROSSPIECE, OLI FILTER	
34	542800101	006149	FILTRO OLIO	FILTER OIL	
40	675846700	0C2025	MEMBRANA FRIGG.ELETTRONICA	LAYER, ELECTRONIC FRYER	

**FRIGGITRICI GAS ELETTRONICHE 23L E900XP**  
**GAS ELECTRONIC FRYERS 23L E900XP**

<i>Pos</i>	<i>Factory Code</i>	<i>Spare part Code</i>	<i>Descrizione</i>	<i>Description</i>	<i>Ref./Note</i>
40	675835702	006614	MEMBRANA FRIGG. ACTIVE	LAYER, ACTIVE FRYER	
40	675846800	0C2130	MEMBR. FRIGG.ELETT. + RIC.OLIO	LAYER, ELECT. + PUMP REC.	
41	548836902	002670	PROLUNGA PULSANTE	FRYER	
42	516865600	*	DISTANZIALE PER SCHEDA INTERF.	EXTENSION, SWITCH	
43	675860200	0C6362	SCHEDA MADRE	SPACER, USER INTERFACE	
43a	699802800	0C6382	CAVETTO SCHEDA MADRE/USER	MOTHER BOARD	
44	675860400	0C6364	SCHEDA INTERFACCIA	FLAT CABLE PCB/USER BOARD	
45	528828101	*	SUPPORTO SUPERIORE SCHEDA	USER INTERFACE	
46	528813501	006616	SUPPORTO INFERIORE SCHEDA	UPPER SUPPORT, USER INTERF.	
47	546813800	*	RONDELLA FISSAGGIO SCHEDA	LOWER SUPPORT, USER INTERF.	
48	675837201	006609	SONDA NTC	WASHER, BOARD FIXING	
49	532827200	0C5233	PROTEZIONE SCHEDA	NTC PROBE	
50	246520500	050180	PASSACAVO DIA. 23	PROTECTION, MAIN BOARD	
51	624810200	0C2420	VENTILATORE	CABLE LEAD DIA.23	
52	638887600	006623	CAVETTO PER STAMPANTE (400mm)	FAN	
53	639804900	046357	MORSETTIERA	PRINTING CABLE (400mm)	
54	853863601	*	PROTEZIONE ENTRATA CAVO	TERMINAL BOARD	
55	646810002	005941	TERMOSTATO DI SICUREZZA	PROTECTION INPUT CABLE	
57	694502400	059078	FILTRO LC	SAFETY THERMOSTAT	
58	624804700	004240	ACCENDITORE	LC FILTER	
59	652800401	056582	PORTAFUSIBILE	LIGHTER	
60	652803300	0C1480	FUSIBILE 6.3A	FUSE HOLDER	
61	652803300	0C1480	FUSIBILE 6.3A	6.3A FUSE	
62	624805601	006159	TRASFORMATORE	6.3A FUSE	
63	675830800	006147	PONTE RADDRIZZATORE	TRANSFORMER	
64	648806900	006610	RELE'	DIODE BRIDGE	
70	543815000	059293	GUARNIZIONE OR	RELAY	
71	514874500	059295	RACCORDO SUPPORTO BULBO D.4	OR GASKET	
72	529826203	*	CAMERA DI COMBUSTIONE	NIPPLE, FIXING BULB DIA.4	
73	530834301	*	PARETE ANTERIORE. CAMERA COMB.	COMBUSTION CHAMBER	
73a	529828101	*	PROTEZIONE FRONTALE	FRONT. PANEL, COMB. CHAMBER	
74	530821900	*	PARETE POST. CAMERA COMB.	FRONTAL PROTECTION	
75	214680600	052263	DISTANZIALE DIA. 12	POST. PANEL, COMB. CHAMBER	
76	530822000	*	CONVOGLIATORE FUMI DX	SPACER DIA.12	
76	530822100	*	CONVOGLIATORE FUMI SX	FUME CONVEYOR DX	
77	523873101	*	DEFLETTORE	FUME CONVEYOR SX	
78				DEFLECTOR	
79					
80					
81	530822200	*	PARETE ANTERIORE CAMINO	FRONTAL PANEL CHIMNEY	
82	530822300	*	PARETE POSTERIORE CAMINO	POST. PANEL CHIMNEY	
83	543815000	059293	GUARNIZIONE	GASKET	
84	514874500	059295	RACCORDO SUPPORTO BULBO D.4	NIPPLE, FIXING BULB DIA.4	
85	830823100	006127	BRUCIATORE	BURNER	
86	80589C000	0C9197	ASSIEME SUPPORTO PILOTA	PILOT SUPPORT ASSEMBLY	AV.5954
86*	50489RA00	0C9196	PILOT COVER	PILOT COVER	AV.5954
87	830885601	006128	CANNELLO PILOTA	BLOWPIPE, PILOT BURNER	
88	206993500	052256	STAFFA PER PILOTA	BRACKET, PILOT	
89	206649700	052246	CONTROSTAFFA PER PILOTA	CONUTER BRACKET, PILOT	
90	835854800	006725	CORPO PILOTA	PILOT BURNER	
91	806817401	*	CONDUTTURA PILOTA	PILOT PIPE	
92	569807J00	0C7141	ELETTRODO, CANDELA	ELECTRODE, IGNITION	
93	214164101	057960	RACCORDO	NIPPLE	
94	830828001	054039	AERATORE	AERATOR	
95	0835861200	0C3130	CONDUTTURA ENTRATA GAS	INLET GAS PIPE	
96	835861200	*	RIBALTA GAS	PIPE, BURNER - GAS VALVE	
97	214105101	020997	CONTRODADO PORTAUGELLO	LOCK NUT, NOZZLE	

**FRIGGITRICI GAS ELETTRONICHE 23L E900XP**  
**GAS ELECTRONIC FRYERS 23L E900XP**

Pos	Factory Code	Spare part Code	Descrizione	Description	Ref./Note
98	835819901	002903	VALVOLA GAS	GAS VALVE	
99	830831400	054539	MICROINTERR. VALVOLA GAS	MICROSWITCH, GAS VALVE	
100	830866100	0A5398	RACCORDO	NIPPLE	
101	517866200	006622	RACCORDO "L"	L NIPPLE	
102	831818901	0C3162	TERMOCOPPIA INTERROTTA	INTER. THERMOCOUPLE	
103	506833401	054029	GUARNIZIONE PER UGELLO	GASKET, NOZZLE	
104	541807301	059207	INDICE MANOPOLA	POINTER, KNOB	
105	218912211	069567	MOLLA FISSA INDICE	SPRING, POINTER KNOB	
106	546811100	003704	MANOPOLA	KNOB	
107					
108	527871901	0C4749	SUPPORTO BULBO LIMITATORE	SAFETY TERM. BULB SUPPORT	
109	569806300	0C4748	ISOLANTE BULBO	SAFETY THERM. BULB INSULATION	
110	214162000	0C0121	RACCORDO TERMOCOPPIA	PIPE FITTING, THERMOCOUPLE	
115	516849000	*	DADO	NUT	with Oil Filter
116	508891200	*	RONDELLA	WASHER	with Oil Filter
117	516865900	*	RONDELLA	WASHER	with Oil Filter
118	806824201	*	CONDUTTURA CARICO OLIO	INLET PIPE, OIL	with Oil Filter
119	514862501	051950	RACCORDO	NIPPLE	with Oil Filter
120	215170716	050682	OGIVA	BICONICAL RING	with Oil Filter
121	686800002	006146	POMPA CARICO OLIO	PUMP, OIL CIRCULATION	with Oil Filter
122	806812400	*	CONDUTTURA INTERNA CARICO OLIO	INTERNAL PIPE, OIL CIRCULATION	with Oil Filter
123	543826300	006426	GUARNIZIONE	GASKET	with Oil Filter
124	806824300	*	CONDUTTURA ESTERNA CARICO OLIO	EXTERNAL PIPE, OIL CIRCULATION	with Oil Filter
125	516865700	0C0951	POMELLO	KNOB	with Oil Filter
126	528828400	*	PROTEZIONE CARICO OLIO	PROTECTION, OIL PIPE	with Oil Filter
127	870847400	0C1018	CARRELLO	TROLLEY	
128	835849000	006150	RUOTA DIA.140	SPINNING WHEEL DIA 140	Up to 6131
128	835878P00	0CA727	RUOTA GIREVOLE	SPINNING WHEEL	From 6141
129	835848900	006151	RUOTA DIA.40	WHEEL DIA 40	Up to 6131
129	549803600	0CA726	RUOTA	WHEEL	From 6141
130	517862800	006163	PERNO	PIN	Up to 6131
130	51589CJ00	0CA728	PERNO	PIN	From 6141
131	50589CW00	*	GUIDA ATTUATORE SINISTRA	RUNNER, LEFT MOTOR ELEVATOR	
132	50589CV00	*	GUIDA ATTUATORE DESTRA	RUNNER, RIGHT MOTOR ELEVATOR	
133					
134					
135	611809B00	0C7189	ATTUATORE PER SOLLEVAMENTO SX	LEFT MOTOR ELEVATOR	
136	611808803	0C3970	ATTUATORE PER SOLLEVAMENTO DX	RIGHT MOTOR ELEVATOR	
137	544807000	*	BOCCOLA	BUSHING	
138					
139					
140	648806900	006610	RELE	RELAY	
141	516866000	0C1019	BOCCOLA	BUSHING	
142	51489AU00	0C7169	ASTA SOLLEVAMENTO DX	RIGHT ROD, LIFT BASKET	
143	51489AV00	0C7170	ASTA SOLLEVAMENTO SX	LEFT ROD, LIFT BASKET	
144					
145	83089FF00	0C7198	SUPPORTO DX CESTELLI	RIGHT SUPPORT BASKET	
146	83089FG00	0C7199	SUPPORTO SX CESTELLI	LEFT SUPPORT BASKET	
147	516866301	0C1025	SUPPORTO DX	RIGHT SUPPORT	
148	516866401	0C1026	SUPPORTO SX	LEFT SUPPORT	
149	516866500	0C1027	BARRA SUPPORTO CESTELLI	ROD, BASKET SUPPORT	
150	516849400	0C1028	GUIDA CESTELLI	RUNNER, BASKET	
151	219001015	*	ANELLO	SEEGER	
152	830831400	054539	CABLAGGIO PER MICRO	CABLE FOR MICROSWITCH	
153	634805200	*	CAVETTO, VALVOLA/CANDELA	IGNITER CABLE, VALVE/CANDLE	

From sr. Nr/ Da Ser. Nr.: 116

Page: 8 Ed. 2017 06

Doc. Nr.: **59785G300**