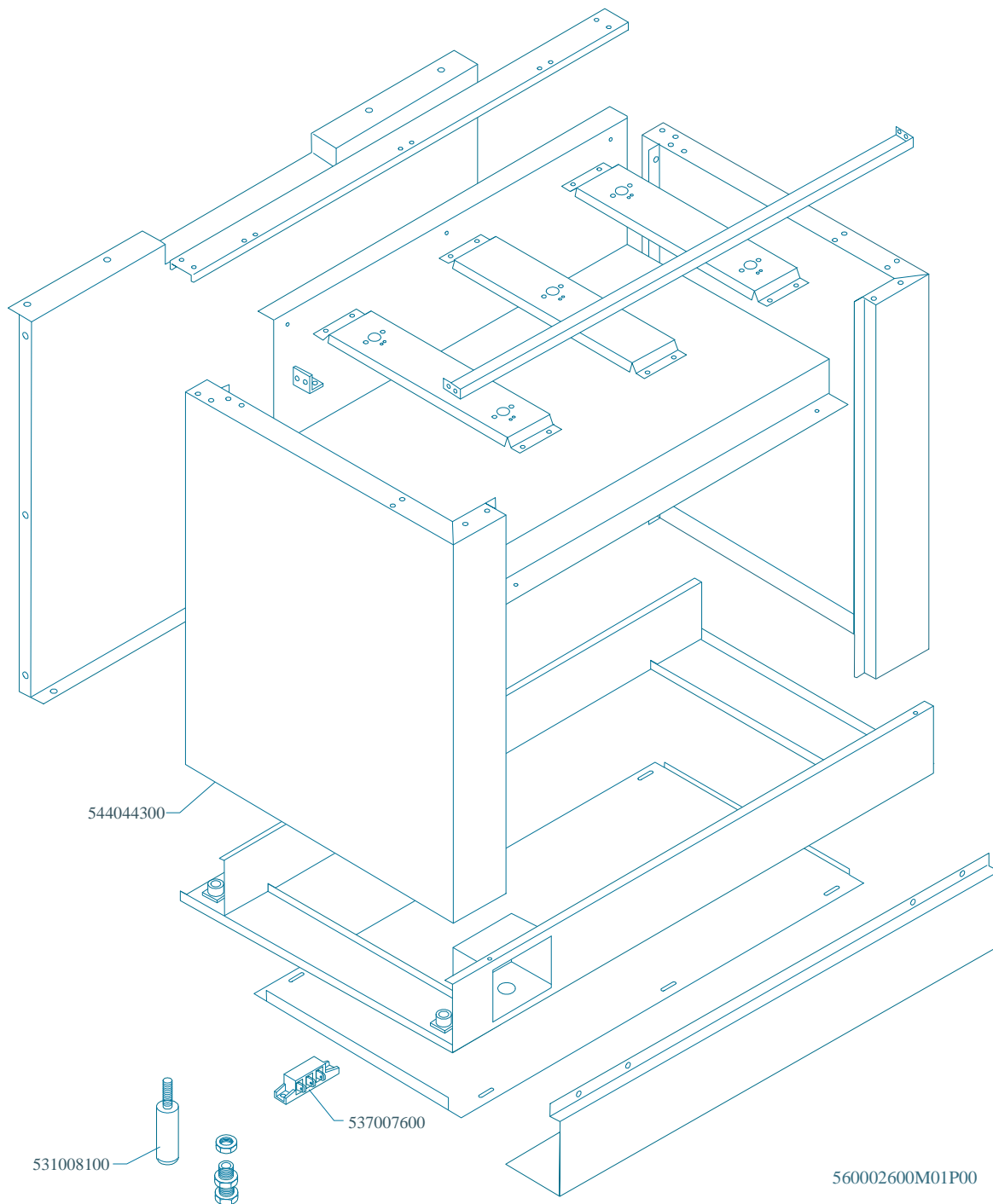


MAGIC SNACK 60

CUCINE / RANGES / HERDE / CUISINIÈRES / N° 0309

CF-10/6

CF-10G/6F CF-10G6/A CF-10GEM/6 CF-10GEM6/A CFM-10GEM/6 CFM-10GEM6/A



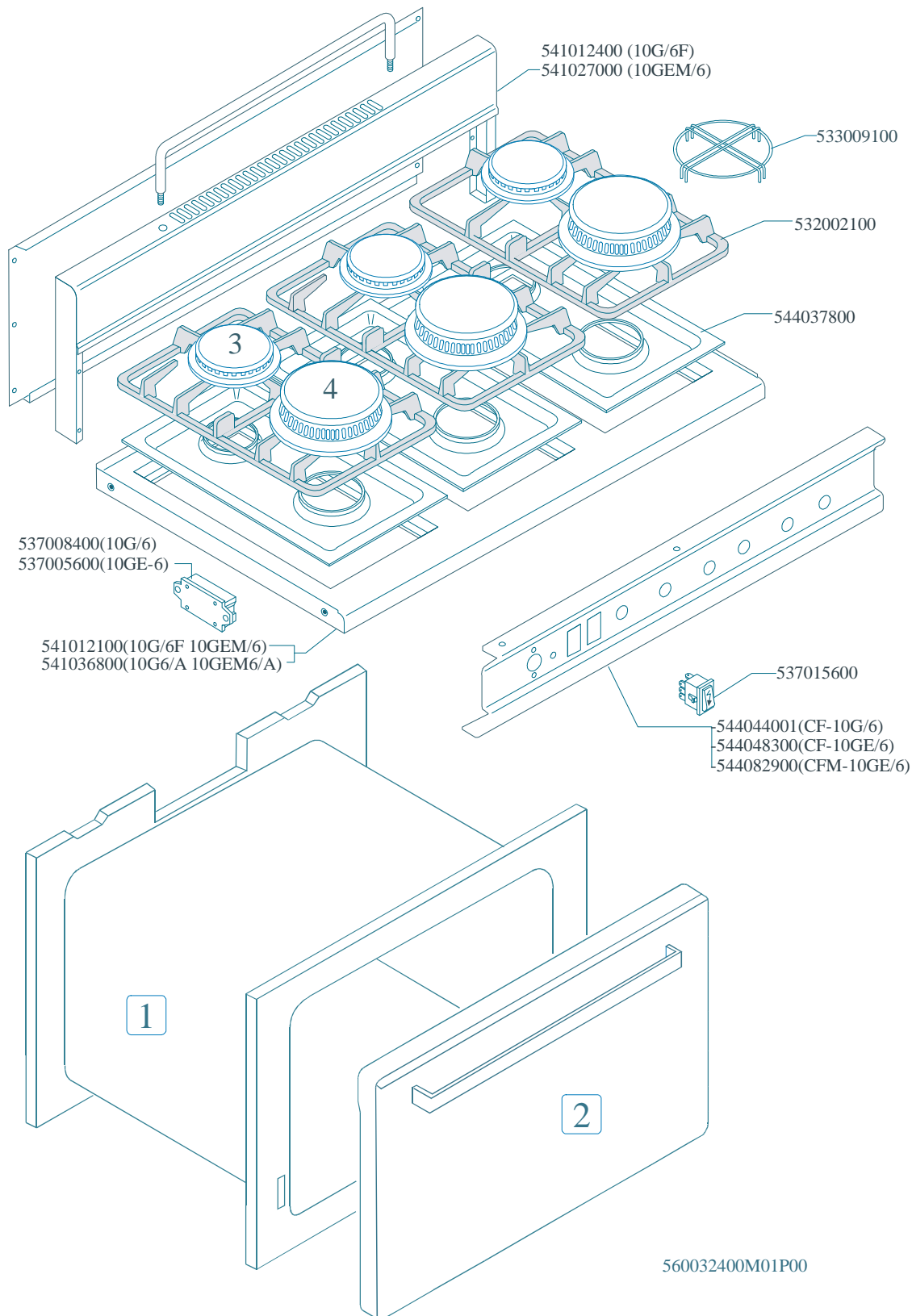
MAGIC SNACK 60

CUCINE / RANGES / HERDE / CUISINIÈRES / N° 0309

CF-10/6

CF-10G/6F CF-10G6/A CF-10GEM/6 CF-10GEM6/A CFM-10GEM/6 CFM-10GEM6/A

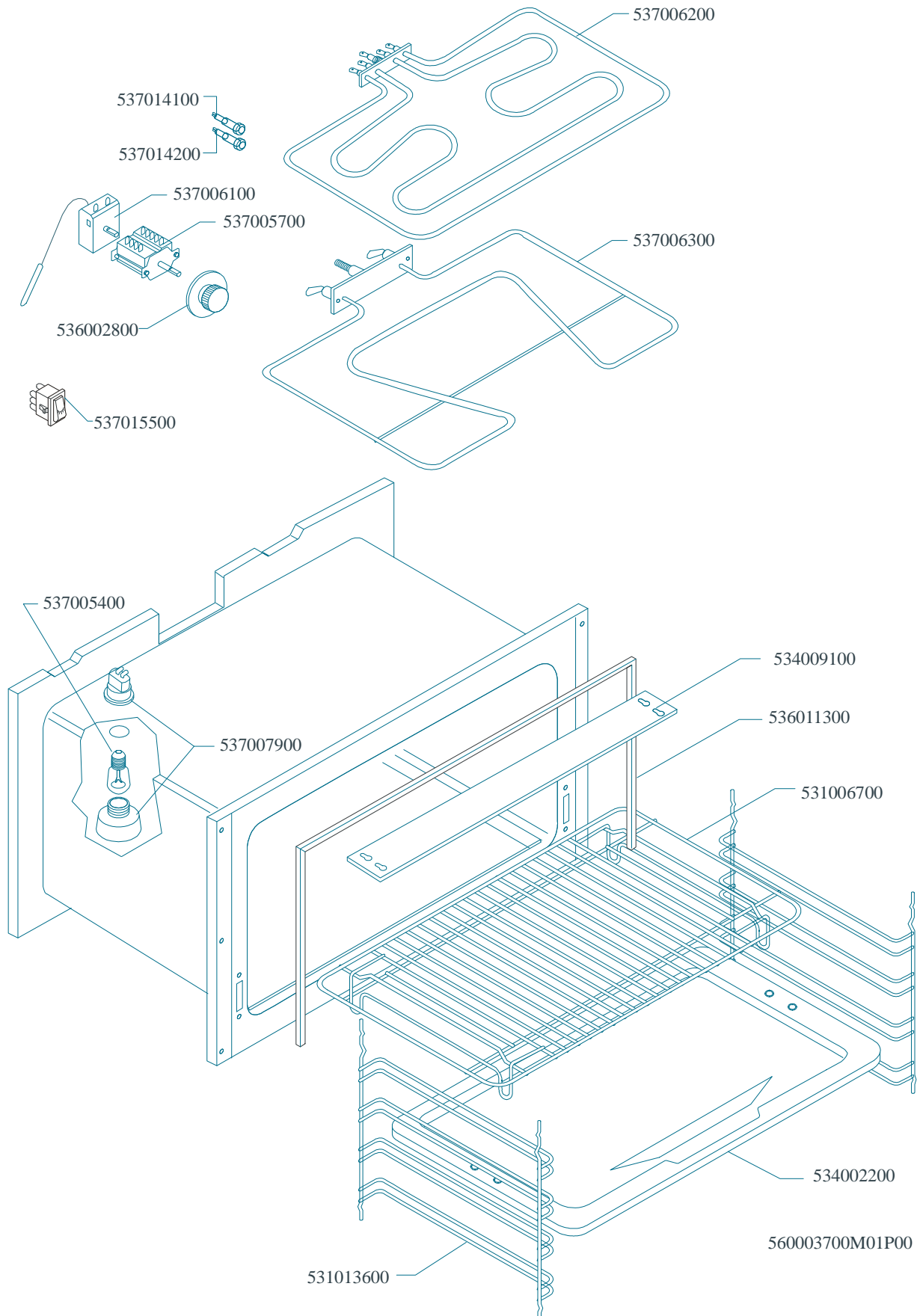
	1CF10-GE	1CFM-10GE	1CF-10G	2	3	4
Vedi Pagina See Page Siehe Seite Voir Page Ver Página	92	93	94	95	131	132



MAGIC SNACK 60

CUCINE / RANGES / HERDE / CUISINIÈRES / N° 0309
FORNO / OVEN / BACKOFEN / FOUR / CF-8 10 10/6

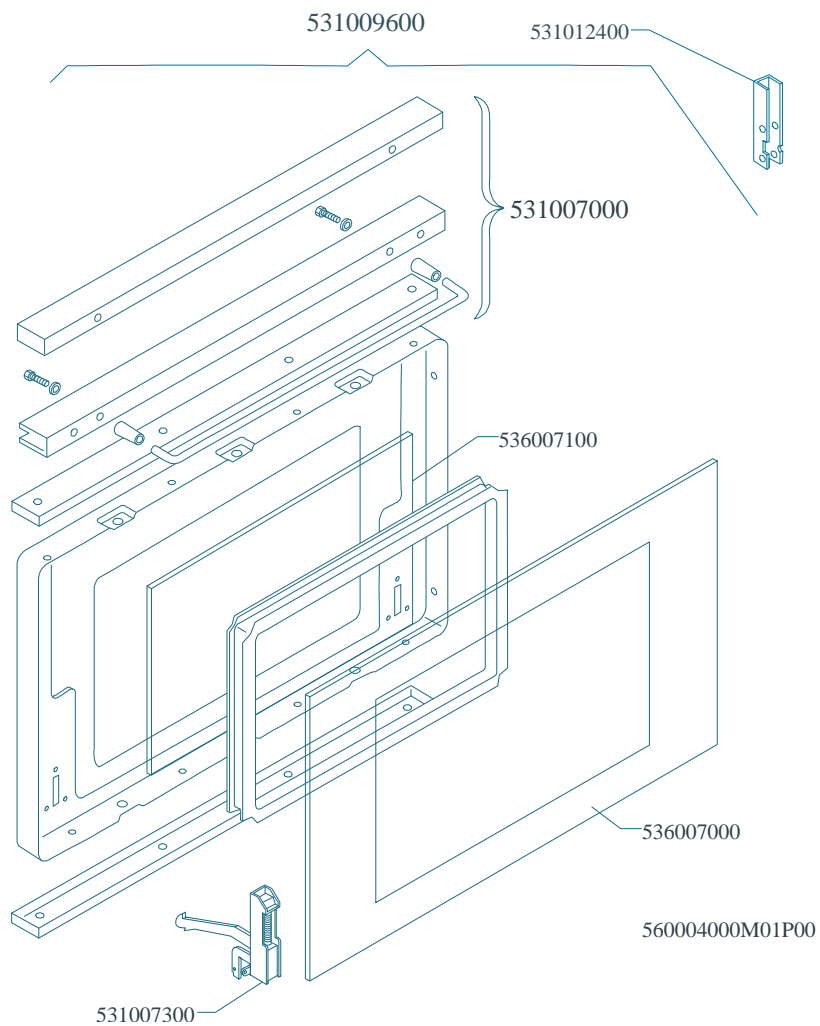
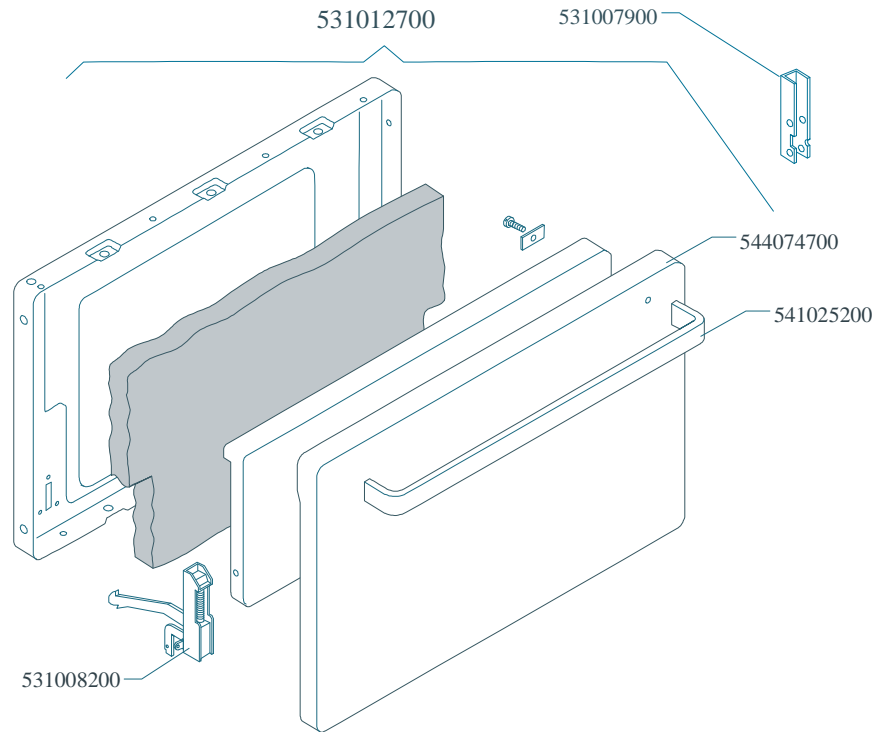
ELETTRICO STATICO / TRADITIONAL ELECTRIC / STATISCHER ELEKTRO- / ELECTRIQUE STATIQUE



MAGIC SNACK 60

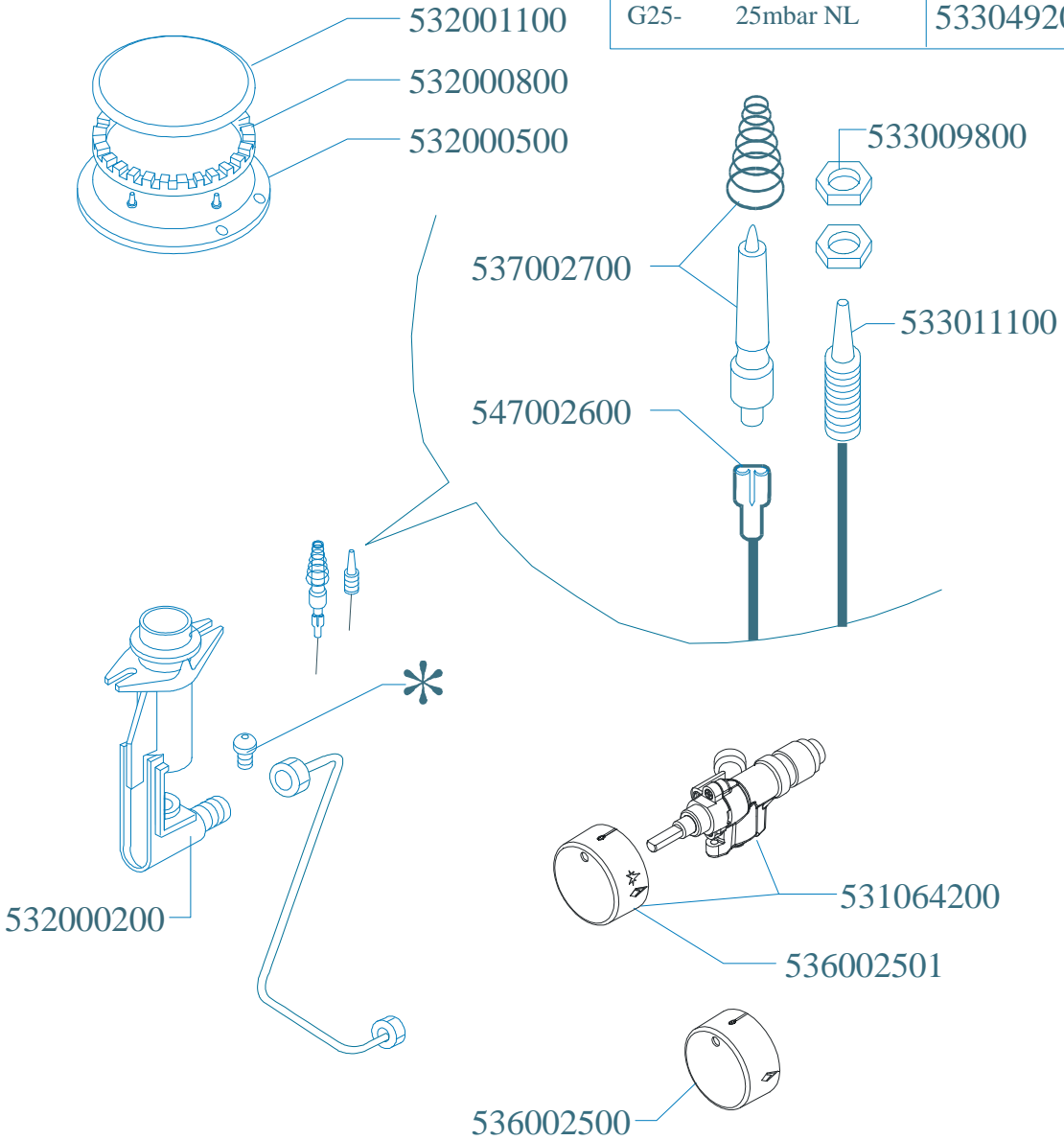
CUCINE / RANGES / HERDE / CUISINIÈRES / N° 0309
FORNO / OVEN / BACKOFEN / FOUR / CF-8 10 10/6

PORTE / DOORS / TÜREN / PORTES



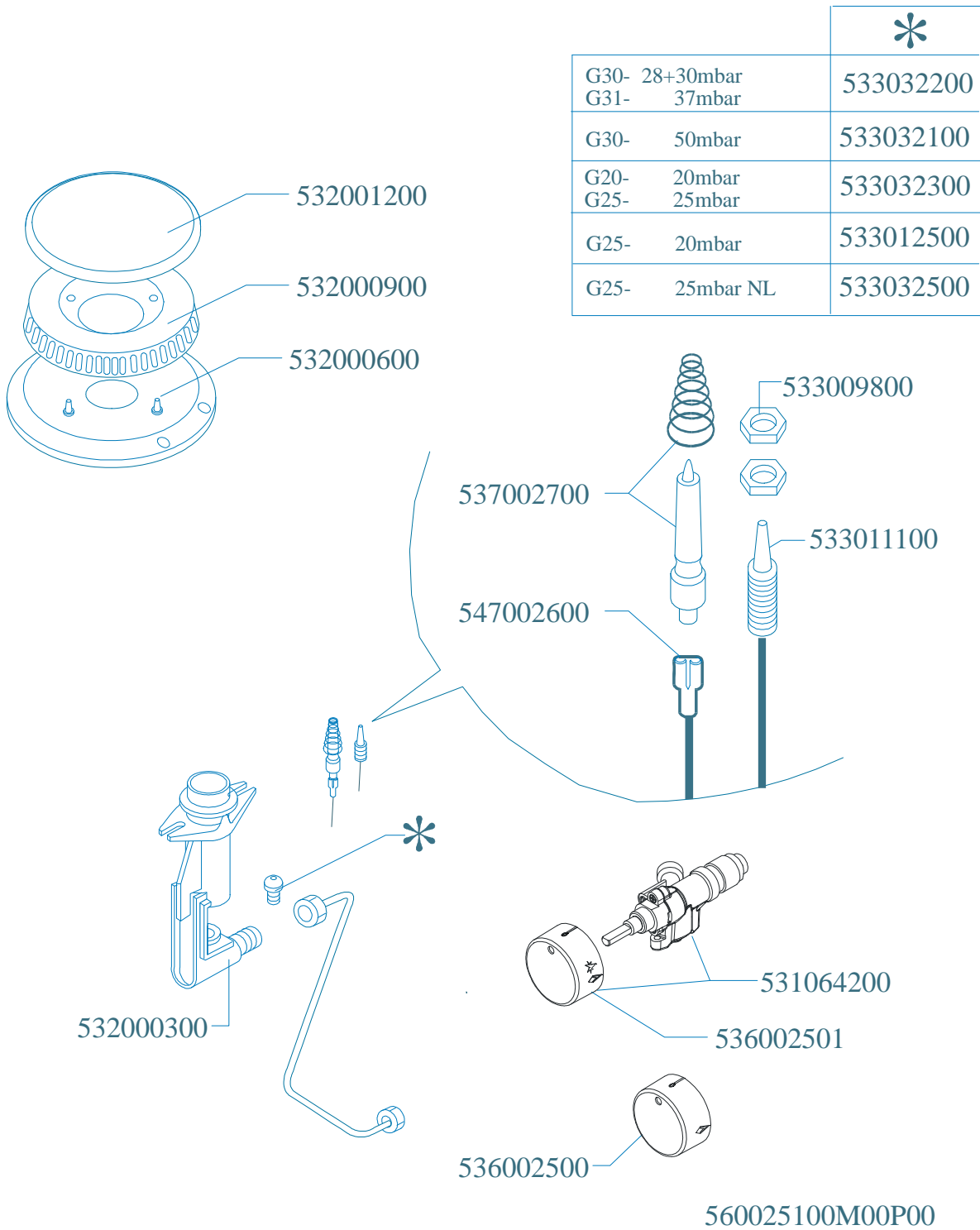
PC-G R V

	*
G30- 28+30mbar G31- 37mbar	533032100
G30- 50mbar	533049000
G20- 20mbar G25- 25mbar	533049100
G25- 20mbar	533032400
G25- 25mbar NL	533049200



560025200M00P00

PC-G UR



Page	Pos	Code	Description
001		544044300	SIDE 1000 RANGE
001		537007600	TERMINAL BLOCK SINGLEPHASE 40A
001		531008100	ADJUSTABLE LEG H9 CHROME
002		533009100	REDUCTION S.60
002		544037800	2 BURNER DRIP PAN (QUICK+VERY QUICK
002		532002100	2 BURNERS GRID
002		541036800	UPPER PLATE CF/10G/A
002		537015600	BIPOLAR SWITCH
003		537006200	UPPER OVEN HEATING EL.1000+2000W
003		537006300	LOWER OVEN HEATING EL.W1750 230CF8/
003		537014100	WHITE WARNING LIGHT 250V
003		537014200	GREEN WARNING LIGHT 250V
003		537006100	OVEN THERMOSTAT CF-62/8/10
003		537005700	OVEN COMMUTATOR CF-8/10 EL.
003		536002800	ELECTRIC OVEN KNOB CF-8/10
003		537015500	REDLIGHTED SWITCH
003		537005400	OVEN BULB 15W 300°C
003		534009100	GRILL PROTECTION CF-8/10
003		536011300	OVEN GASKET CF-8/10
003		537007900	OVEN BULB-SOCKET
003		531006700	OVEN GRID FOR CF-8/10
003		534002200	OVEN DRIPPING-PAN CF-8/10
003		531013600	SIDE GRID FOR MAXI/VENTILATED OVEN
004		531012700	STAINLESS STEEL OVEN DOOR CF-8/10
004		531007900	STAINLESS STEEL DOOR WHEEL HOLDER
004		544074700	STAINLESS STEEL OVEN DOOR PANEL
004		541025200	STAINLESS STEEL OVEN DOOR HANDLE
004		531008200	STAINLESS STEEL DOOR HINGE CF-8/10
004		531009600	COMPLETE GLASS OVEN DOOR
004		531012400	GLASS DOOR WHEEL HOLDER CF-8/10
004		531007000	OVEN GLASS DOOR HANDLE CF-8/10
004		536007100	INTERNAL GLASS OVEN DOOR CF-8/10
004		536007000	EXTERNAL GLASS OVEN DOOR CF8/10
004		531007300	GLASS DOOR HINGE CF-8/10
005		533032100	NOZZLE §82 CH9*10 CE G-R
005		533049000	NOZZLE §72 CH9*10 F-R
005		533049100	NOZZLE §125 CH9*10 H-R
005		533032400	NOZZLE §135 CH9*10 L-R
005		533049200	NOZZLE §130 CH9*10 AARD.L-R
005		532001100	QUICK BURNER COVER IN CAST IRON
005		532000800	QUICK BURNER RING
005		532000500	QUICK BURNER SUPPORT 2HOLES
005		537002700	PLUG WITH SPRING H57
005		547002600	HIGH-VOLTAGE CABLE L=500
005		533009800	BRASS NUT M8*1
005		533011100	THERMOCOUPLE 600 M8*1
005		531064200	GAS COCK 22-3403 WITH KNOB
005		532000200	QUICK BURNER VENTURI
005		536002501	COCK KNOB SNACK PC
005		536002500	COCK KNOB
006		533032200	NOZZLE §96 CH9*10 CE G-UR

Page	Pos	Code	Description
006		533032100	NOZZLE §82 CH9*10 CE G-R
006		533032300	NOZZLE §142 G20
006		533012500	NOZZLE §160 CH9*10 L-UR
006		533032500	NOZZLE §150 CH9*10 AARD.L-UR
006		532001200	ULTRA-QUICK BURNER COVER IN CAST IR
006		532000900	ULTRA-QUICK BURNER RING
006		532000600	ULTRA-QUICK BURNER SUPPORT 2HOLES
006		533009800	BRASS NUT M8*1
006		537002700	PLUG WITH SPRING H57
006		533011100	THERMOCOUPLE 600 M8*1
006		547002600	HIGH-VOLTAGE CABLE L=500
006		531064200	GAS COCK 22-3403 WITH KNOB
006		532000300	ULTRA-QUICK BURNER VENTURI
006		536002501	COCK KNOB SNACK PC
006		536002500	COCK KNOB