

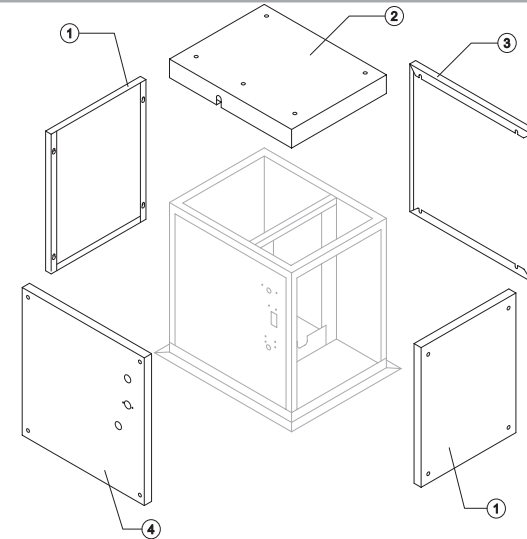


MUSTER 350 SPLIT

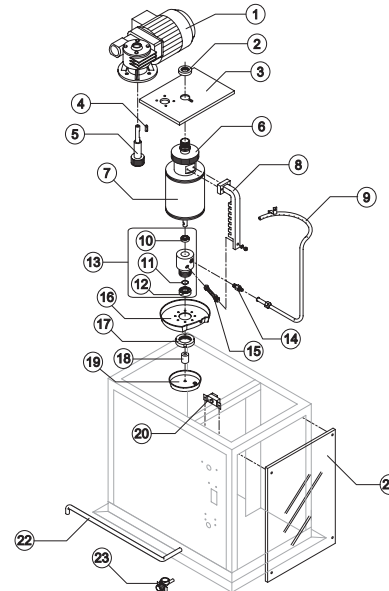
LIST OF THE EXPLODED VIEWS



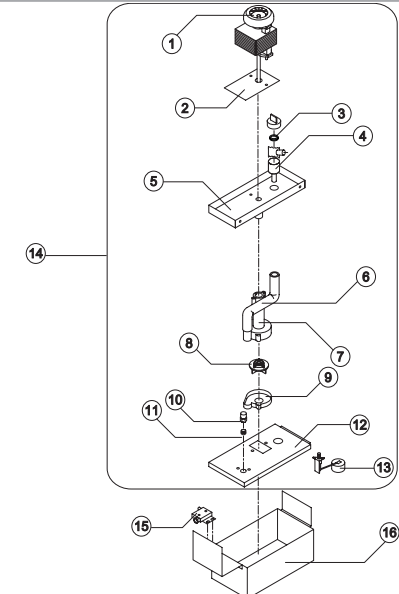
SHELL ASSY



EVAPORATOR



PUMP

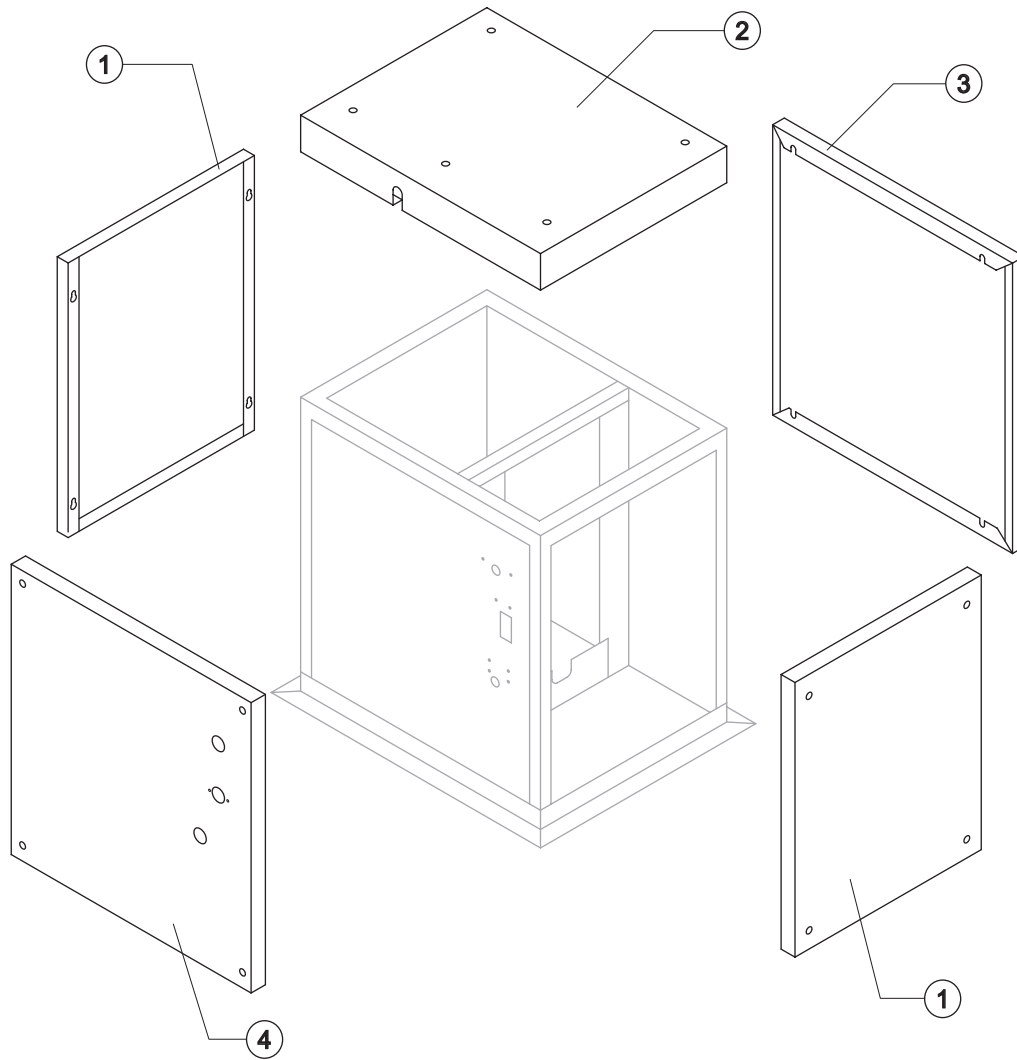


Rev. 1 - 12/6/2002



MUSTER 350 SPLIT

SHELL ASSY



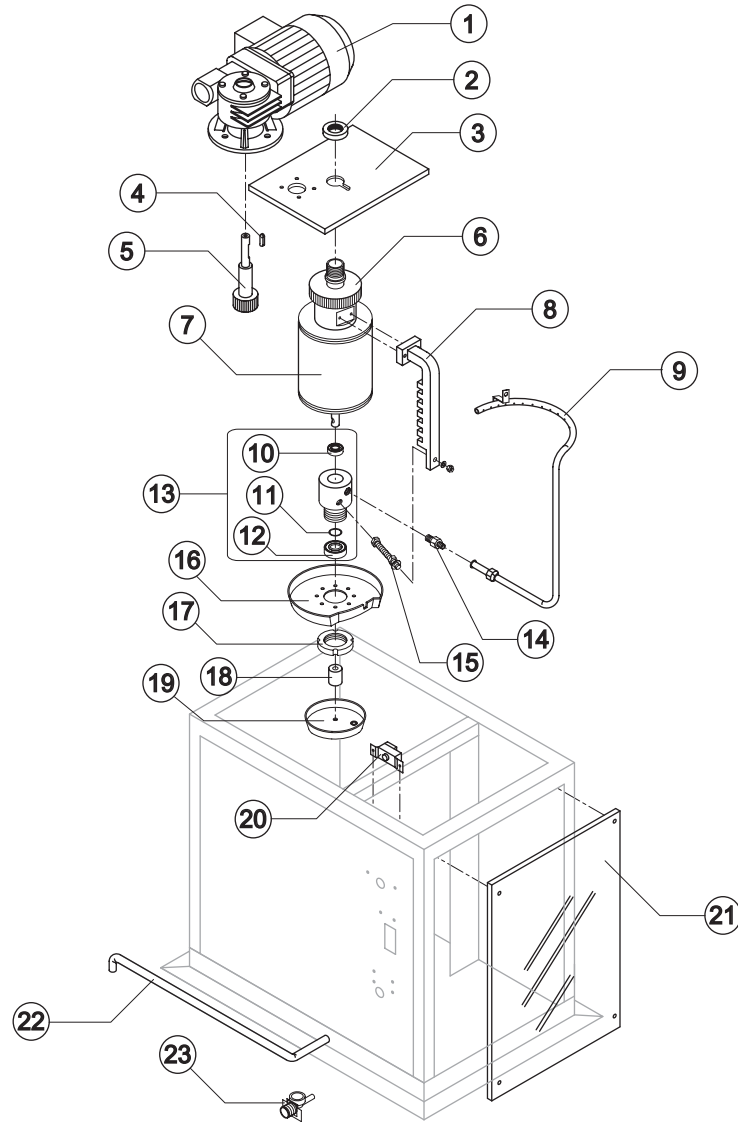
| Ref. | Spare Description | Code |
|------|--------------------|--------|
| 1 | Front & Rear Panel | 22469 |
| 2 | Top Assembly | C22468 |
| 3 | Right Side | 22425 |
| 4 | Left Side | 22470 |

Rev. 1 - 12/6/2002



MUSTER 350 SPLIT

EVAPORATOR



Common Parts

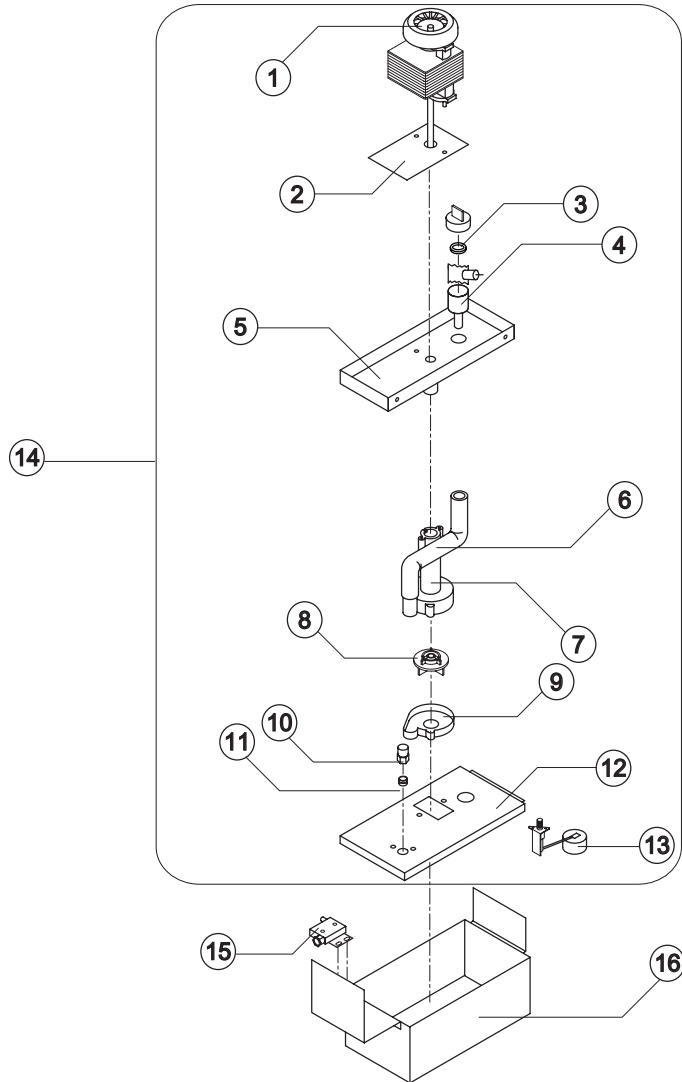
| Ref. | Spare Description | Code |
|------|--|--------|
| 1 | Gearmotor Assy 220/240V 50 Hz - 220/230V 60 Hz | C23363 |
| 2 | Ring Nut for Cylinder Locking | 20324 |
| 3 | Evaporator Support Plate | 20356 |
| 4 | Key 6x6x40 | 20350 |
| 5 | Pinion with Shaft for Gearmotor | 20344 |
| 6 | Crown Gear | 20354 |
| 7 | Evaporator | C11059 |
| 8 | Knife | E20330 |
| 9 | Sprayer Ring | C20319 |
| 10 | INOX Bearing | 20531 |
| 11 | Silicone OR 4081 in Ring | 20338 |
| 12 | INOX Bearing | 20045 |
| 13 | Complete Rotary Ring | C10180 |
| 14 | Joint | 20335 |
| 15 | M8 Tie Rod (to Block Knife) | 20329 |
| 16 | Rotary Basin | 10184 |
| 17 | Ring Nut for Rotary Ring | 10182 |
| 18 | Spacer | 20321 |
| 19 | Fixed Basin | C10185 |
| 20 | Bin Thermostat | 23005 |
| 21 | Screen Evaporator Chamber | 10187 |
| 22 | Overflow Pipe | 13088 |
| 23 | 1 Way Inlet Water Nipple | 10239 |

Rev. 1 - 12/6/2002



MUSTER 350 SPLIT

PUMP



Common Parts

| Ref. | Spare Description | Code |
|------|------------------------------|-----------|
| 1 | Pump Motor | See Table |
| 2 | Heat Dissipator | 22430 |
| 3 | Pump Filter Gasket | 13080 |
| 4 | Filtering Element | 20254 |
| 5 | Pump Motor Holder | 10161 |
| 6 | Pump-Filter Fitting Pipe | 13084 |
| 7 | Pump Body | 10065 |
| 8 | Pump Impeller | 10138 |
| 9 | Diffuser | 10067 |
| 10 | Nut | 20404 |
| 11 | Bush | 20405 |
| 12 | Water Pump Basin Cover | 22420 |
| 13 | Floating Valve | 10188 |
| 14 | Pump and Filter Assy | See Table |
| 15 | Microswitch for Overflow Ice | 23373 |
| 16 | Water Pump Basin | C22419 |

Ref. 1 - Pump Motor

| Tension | Code |
|----------------|-------|
| 220-240V 50 Hz | 23073 |
| 220-230V 60 Hz | 23187 |

Ref. 14 - Pump and Filter Assy

| Tension | Code |
|----------------|--------|
| 220-240V 50 Hz | C26557 |
| 220-230V 60 Hz | C26712 |

Rev. 1 - 12/6/2002