

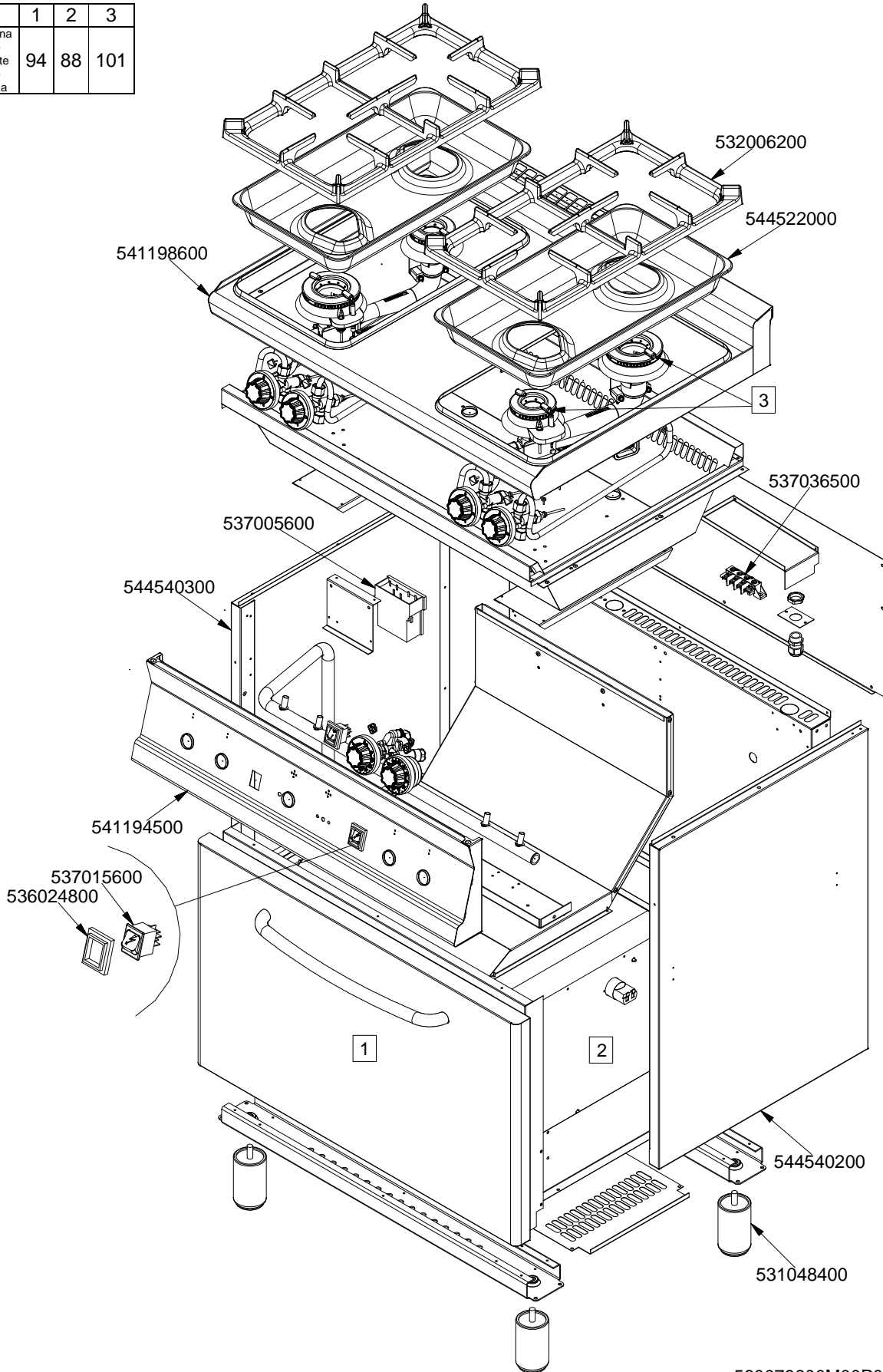
MAGICLOTUS 60

CUCINE / RANGES / HERDE / CUISINIÈRES

CF..4-68

CF4-68G

	1	2	3
Vedi Pagina See Page Siehe Seite Voir Page Ver Página	94	88	101



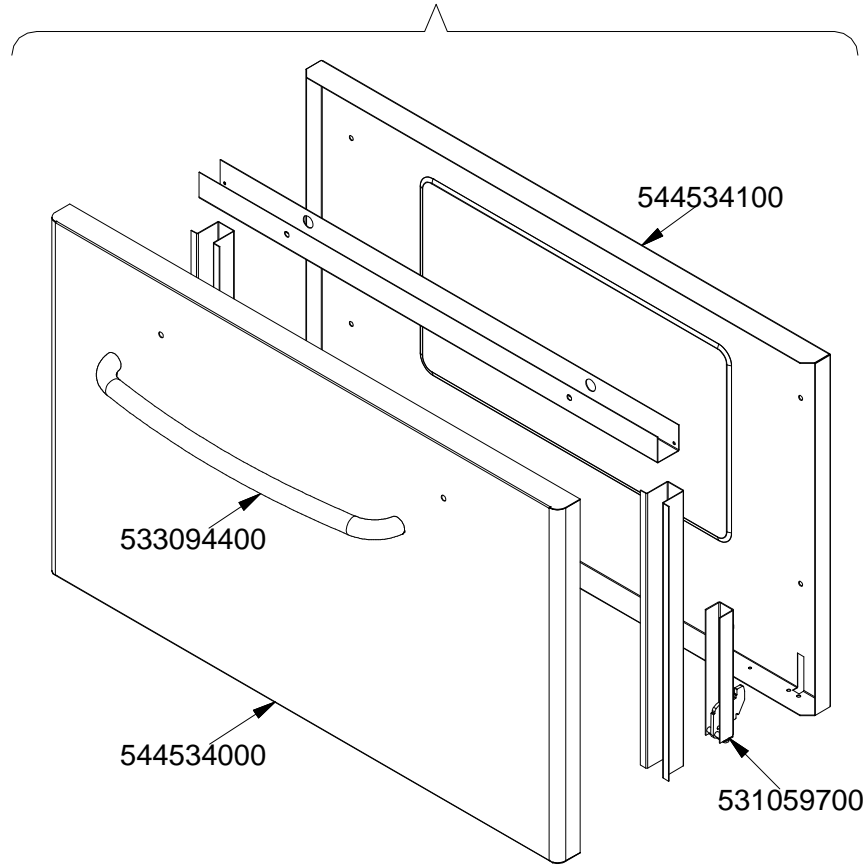
560079600M00P00.

MAGICLOTUS 60

CUCINE / RANGES / HERDE / CUISINIÈRES
FORNO / OVEN / BACKOFEN / FOUR / CF...-68 CF...-610 CF...-612

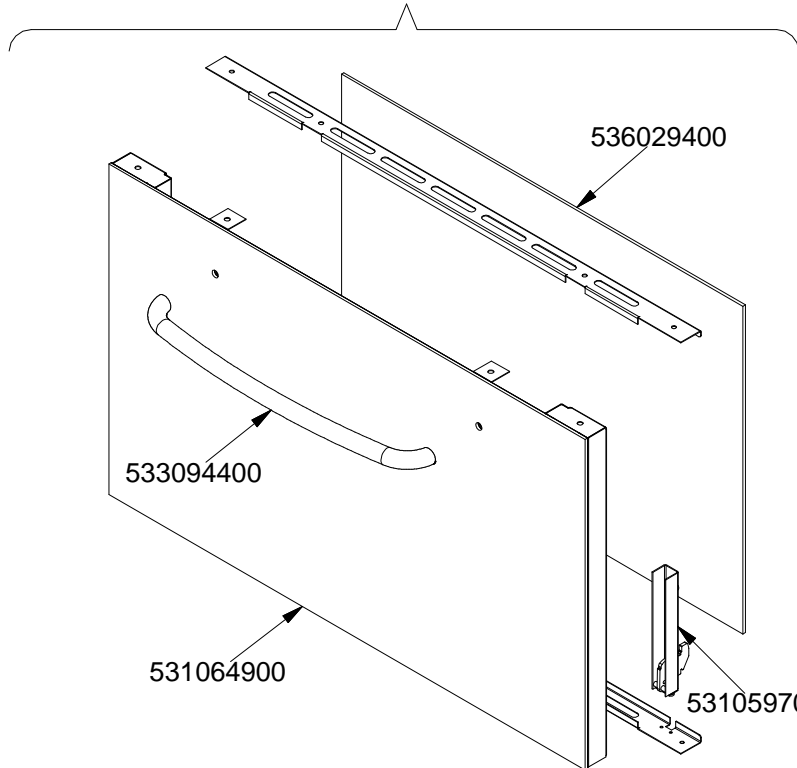
PORTE / DOORS / TÜREN / PORTES / GN1/1

531059200



560081100M00P00.

531059300

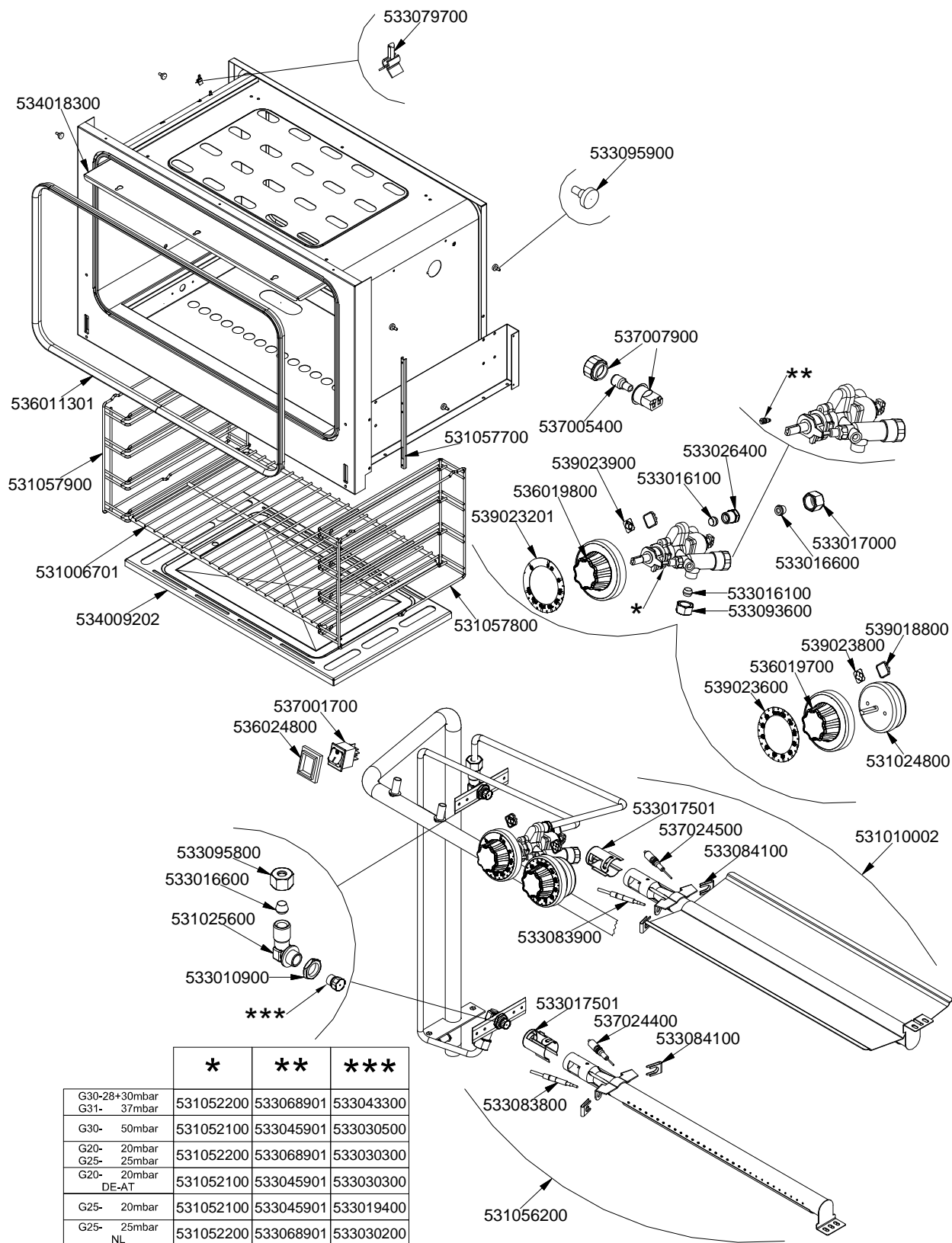


560081200M00P00.

MAGICLOTUS 60

CUCINE / RANGES / HERDE / CUISINIÈRES
 FORNO / OVEN / BACKOFEN / FOUR / CF...-68 CF...-610 CF...-612

GAS / GAS / GAS / GAZ / GN1/I



	*	**	***
G30-28+30mbar G31- 37mbar	531052200	533068901	533043300
G30- 50mbar	531052100	533045901	533030500
G20- 20mbar G25- 25mbar	531052200	533068901	533030300
G20- 20mbar DE-AT	531052100	533045901	533030300
G25- 20mbar	531052100	533045901	533019400
G25- 25mbar NL	531052200	533068901	533030200

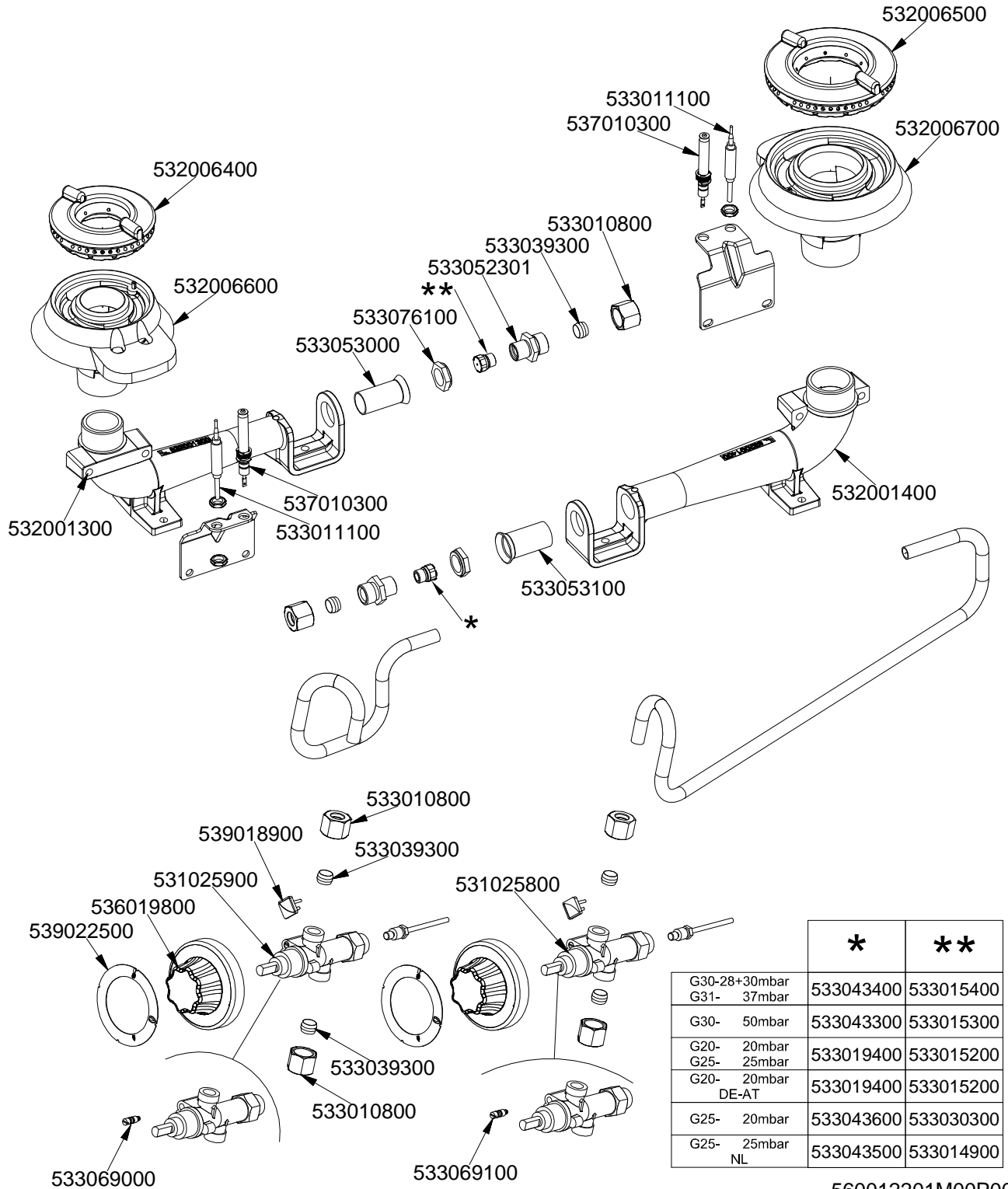
560081000M00P00.

MAGICLOTUS 60

CUCINE / RANGES / HERDE / CUISINIÈRES

COMPONENTI COMUNI / STANDARDS PARTS / UEBLICHE TEILE / COMPOSANTS COMMUNS

PCT-G



	*	**
G30-28+30mbar G31- 37mbar	533043400	533015400
G30- 50mbar	533043300	533015300
G20- 20mbar G25- 25mbar	533019400	533015200
G20- 20mbar DE-AT	533019400	533015200
G25- 20mbar	533043600	533030300
G25- 25mbar NL	533043500	533014900

560012201M00P00

Page	Pos	Code	Description
001		532006200	2 BURNERS GRID 290X505 60T RAF
001		544522000	BURNER DRIP PAN OF PCT-60
001		541198600	CONTROL PANEL 60T CF4-6 8 G
001		537036500	TERMINAL BLOCK 4POLES 40A SCREW-SCR
001		537005600	6 FLAME IGNITION CONTROL BOX V230
001		544540300	
001		541194500	CONTROL PANEL 607090 CF4-6 8 G
001		537015600	BIPOLAR SWITCH
001		536024800	
001		544540200	
001		531048400	INOX LEG Ø1"3/4 100-165 M10
002		531059200	OVEN DOOR * S60T 68 INOX C.
002		544534100	INNER DOOR OF MAXI OVEN OF 60T-LINE
002		533094400	S/S OVEN DOOR HANDLE FOR 60T-LINE
002		544534000	S/S DOOR FOR MAXI OVEN OF 60T LINE
002		531059700	DOOR HINGE FOR MAXI OVEN 60.LINE
002		531059300	OVEN DOOR * S60T 68 GLASS C.
002		536029400	
002		531064900	
003		533079700	LOCK SPRING FOR BULB §3/§4
003		533016100	BICONE D.8
003		534018300	KNOB PROTECTION FOR MAXI CF 60T
003		533095900	PIN FOR GRIDSHOLDER SUPPORT CF 60
003		533093600	BICONE FITTING §8 M13 FEM.SABAF
003		537007900	OVEN BULB-SOCKET
003		539018800	INDEX FOR OVEN KNOB
003		536011301	OVEN GASKET CF-8/10 *FE*
003		537005400	OVEN BULB 15W 300°C
003		531057700	DOOR WHEEL HOLDER F.MAXI OVEN 60T
003		533026400	ELBOW FOR BICONE D.8 M13X1
003		539023900	SIGN PLATE FOR OVEN TEMPERATURE
003		531057900	LHD GRIDS HOLDER FOR MAXI-OVEN
003		536019800	BLACK KNOB §70 PIN §8*6,5
003		539023201	ADHESIVE GRADUATED DISC FOR KNOB
003		533017000	THREADED FITTING FOR BICONE 8S
003		533016600	BICONE §8 H.6 SABAF DIS.688
003		531006701	MAXI OVEN GRID FOR S60/65
003		534009202	MAXI GAS OVEN BOTTOM
003		531057800	RHD GRIDS HOLDER FOR MAXI-OVEN
003		539023800	SIGN PLATE FOR OVEN TIMER
003		536019700	BLACK KNOB §70 PIN §6*5
003		539023600	ADHESIVE GRADUATED DISC FOR KNOB
003		537001700	GREENLIGHTED BIPOLAR SWITCH
003		536024800	
003		531024800	TIMER 120' - 360°
003		533017501	VENTURI BUSHING FOR OVEN BURNER CF
003		537024500	PLUG IGNITION FOR GRILL-BURNER
003		533095800	TUBE NUT D.08 M16*1,5
003		531010002	GRILL BURNER FOR CF-55/60
003		533084100	LOCK SPRING FOR PLUG-THERMOCOUPLE
003		533083800	THERMOCOUPLE 1200 M8*1 OVEN BURNER

Page	Pos	Code	Description
003		531025600	ELBOW 90° NOZZLE-HOLDER §10 PIPE
003		533083900	THERMOCOUPLE 1000 M8*1 OVEN BURNER
003		533010900	NUT M14*1 H.4
003		537024400	PLUG IGNITION FOR OVEN-BURNER
003		531056200	BURNER FOR OVEN CF-8/10G
003		531052200	§50 BY-PASS SAFETY COCK S55
003		533068901	§50 BY-PASS COCK F.OVEN CF60/65/55
003		533043300	NOZZLE §103 CH12*14 F-PC4 UR
003		531052100	§45 BY-PASS SAFETY COCK S55
003		533045901	§45 BY-PASS THERMOSTATIC TAP
003		533030500	NOZZLE §90 CH12X14 G30/CE
003		533030300	NOZZLE §160 CH12*14 M-FPG
003		533019400	NOZZLE §180 CH12*14 L-FQ5
003		533030200	NOZZLE §170 CH12*14 MH-FG L-FP/CW
004		532006500	QUICKBURNER 2 RING Ø102 3 Z
004		532006700	BURNER BODY 5,5 KW WITH PLUG
004		533011100	THERMOCOUPLE 600 M8*1
004		537010300	PLUG IGNITION WITH SPRING PC65
004		532006400	QUICKBURNER 2 RING Ø082 3 Z
004		533010800	TUBE NUT D.10 M16*1,5
004		533039300	BICONE §10
004		533052301	JOINT FOR NOZZLE HOLDER
004		532006600	BURNER BODY 3,5 KW WITH PLUG
004		533076100	HEXAGONAL NUT M14X1 H4 + BUSHING
004		533053000	AIR ADJUSTMENT BUSHING §18
004		532001400	BURNER VENTURI 5,5 KW
004		532001300	BURNER VENTURI 3,5 KW
004		533053100	AIR ADJUSTMENT BUSHING §20
004		539018900	INDEX FOR KNOB
004		533069000	BY PASS COCK §70 20S-21S
004		533069100	BY PASS COCK §60 20S
004		531025800	SAFETY TAP 20S-B PEL20S2160
004		531025900	SAFETY TAP 20S-B PEL20S21070
004		536019800	BLACK KNOB §70 PIN §8*6,5
004		539022500	ADHESIVE GRADUATED DISC FOR KNOB
004		533043400	NOZZLE §117 CH12*14 G-PC4 UR
004		533015400	NOZZLE §93 CH12*14 G-PC4 R
004		533043300	NOZZLE §103 CH12*14 F-PC4 UR
004		533015300	NOZZLE §82 CH12*14 F-PC4 R
004		533019400	NOZZLE §180 CH12*14 L-FQ5
004		533015200	NOZZLE §145 CH12*14 F-FP/CP6
004		533043600	NOZZLE §200 CH12*14 L-PC4 UR
004		533030300	NOZZLE §160 CH12*14 M-FPG
004		533043500	NOZZLE §190 CH12*14 G25 PC4R
004		533014900	NOZZLE §150 CH12*14 F-FQ5 L-FQ6