

WAREWASHER

ELECTROMECHANICAL SWITCHES
SIMPLE BODY VERSION

TYPE: 18U

Accessories

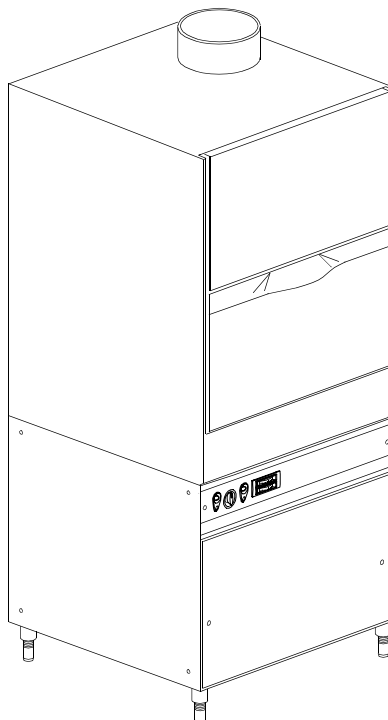
BOOSTER PUMP

DVGW

DETERGENT DISPENSER

DRAIN PUMP

Spare parts



S/N:

Valid from:..11/2002

Rev.: 0.0

1. Spare parts

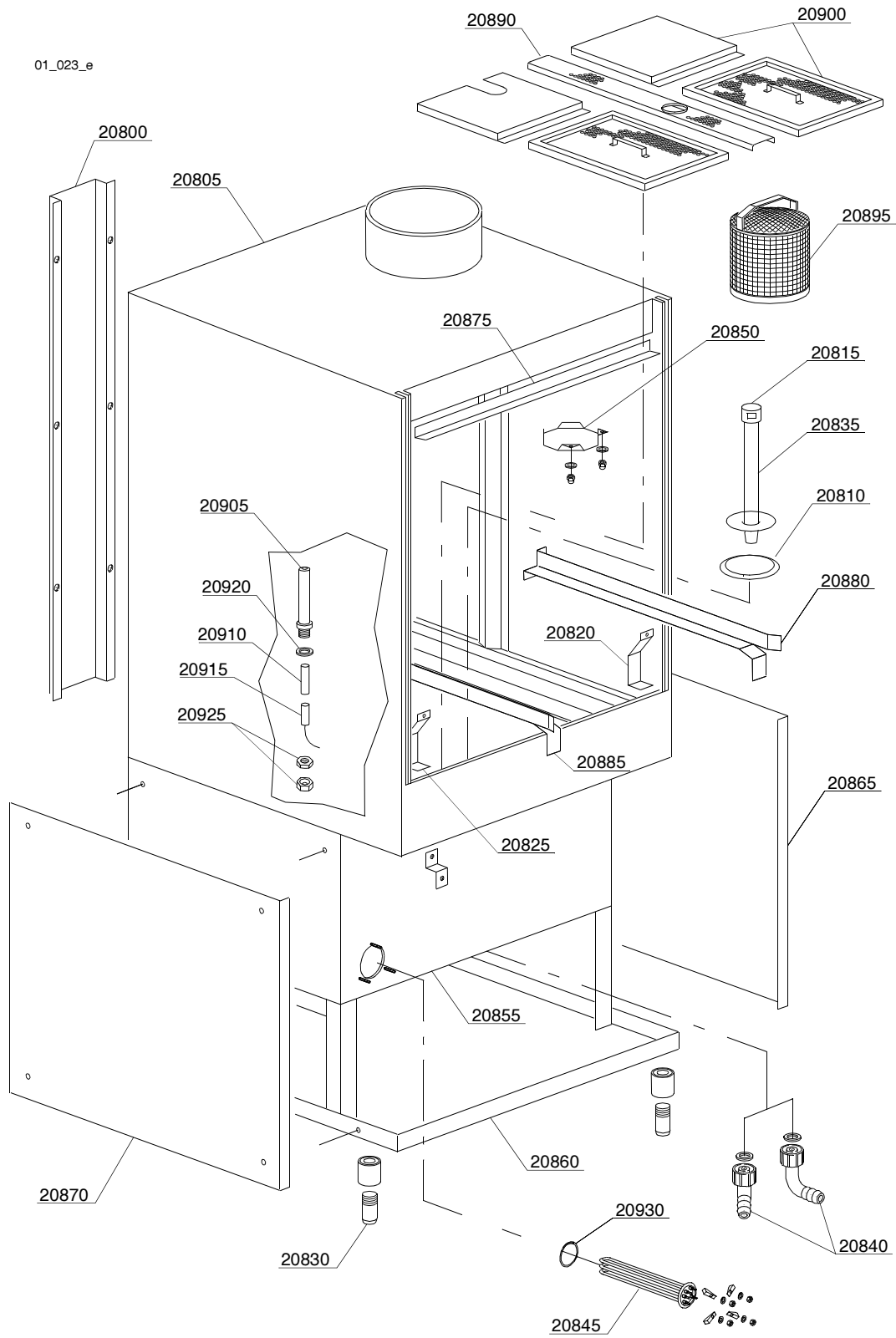
General body parts.....	7
Lockup system	9
Control panel	11
Control electric components.....	13
Solenoid valve group	15
Booster pump.....	17
DVGW	19
Shining product dosing device group .	21
Boiler group	23
3 ways derivation.....	25
Wash pump	27
Dosing device group	29
Dosing device group	31
Drain pump group.....	33
Pressure switch group with air trap ...	35
Turret group with rotating arms	37

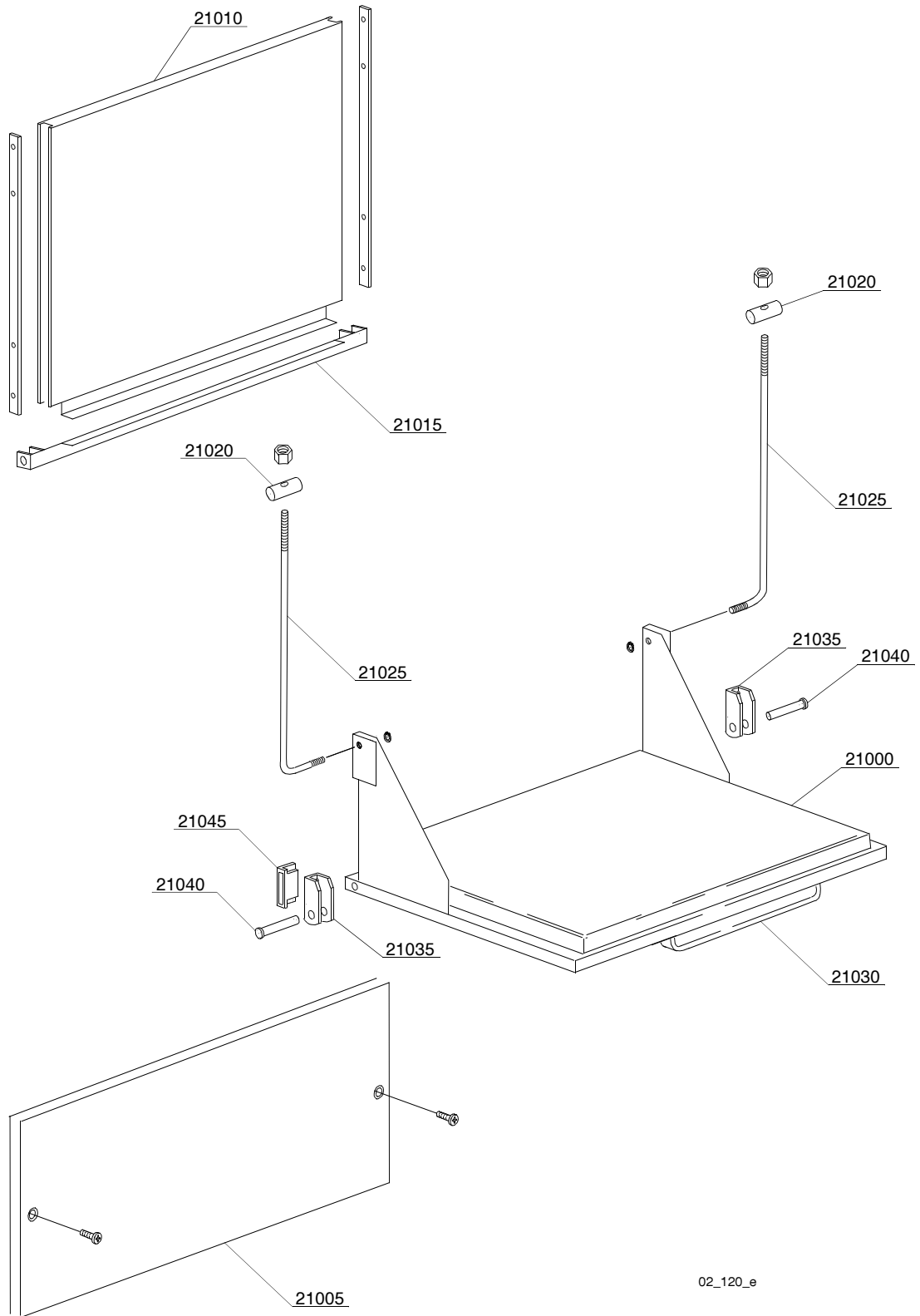
1.1 Voltage codes

Voltage code	Voltage
A	3/N/PE~400/230V 50Hz
B	~250V 16A 50Hz
C	3/N/PE~380/220V 50Hz
D	3/PE~200V 50-60Hz
F	2/PE 220-240V 50Hz
G	3/N/PE~415/240V 50Hz
H	3/PE~230V 50Hz
I	3/PE~220V 60Hz
J	3/PE~380 50Hz
K	3/PE~400V 50Hz
L	3/PE~415V 50Hz
M	3/PE~440V 60Hz
N	3/PE~460V 60Hz
O	3/PE~480V 60Hz
P	1/N/PE~220-240V 50Hz
R	2/PE~220-230V 60Hz
S	3/N/PE~400/230V 50Hz
T	3/PE~230V 60Hz

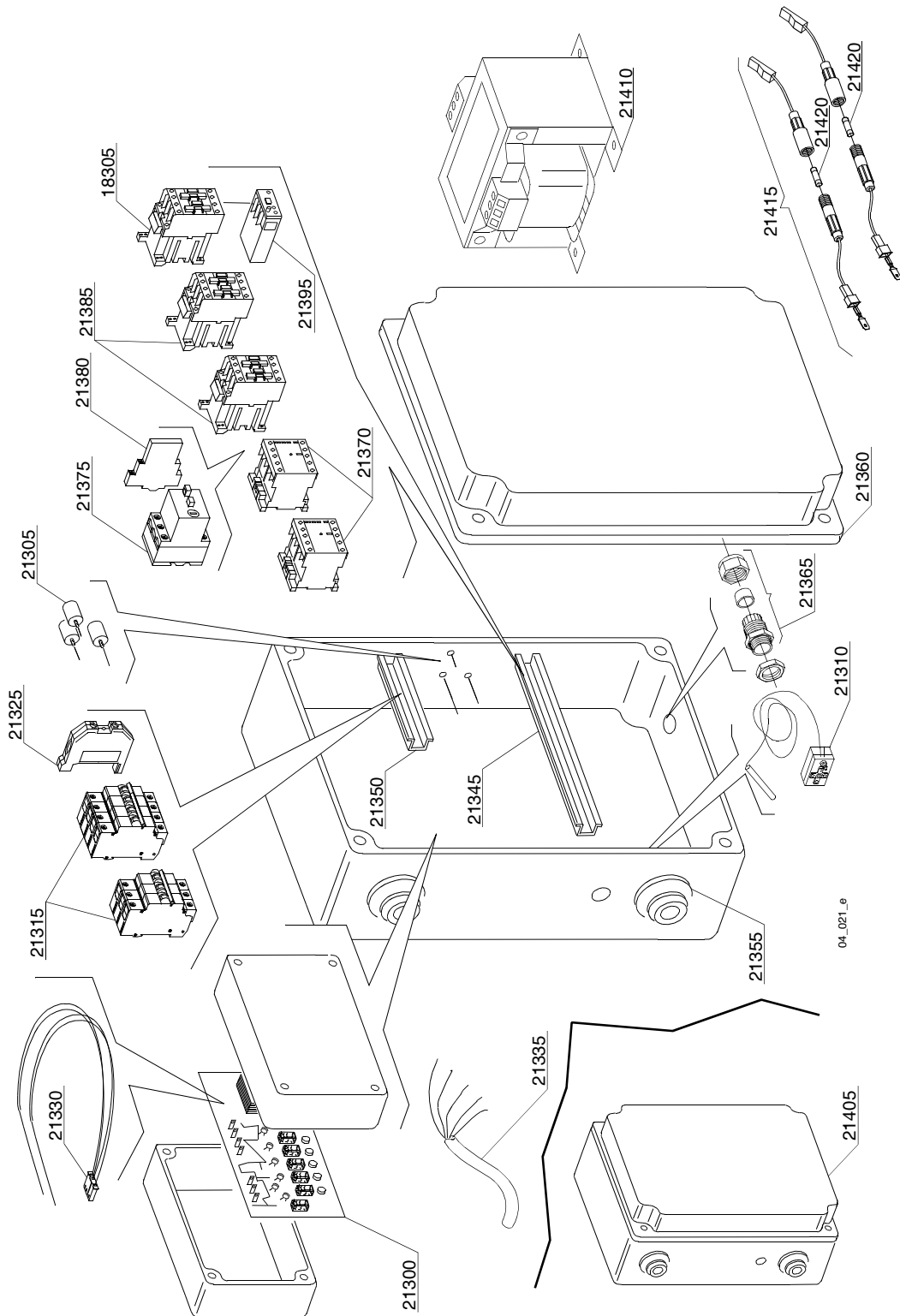
1.2 Product codes

Product code	Full name
Model codes	
em	ELECTROMECHANICAL SWITCHES
mc	SIMPLE BODY VERSION
Type codes	
18U	18U
Accessory codes	
pap	BOOSTER PUMP
dvgw	DVGW
dde	DETERGENT DISPENSER
ps	DRAIN PUMP



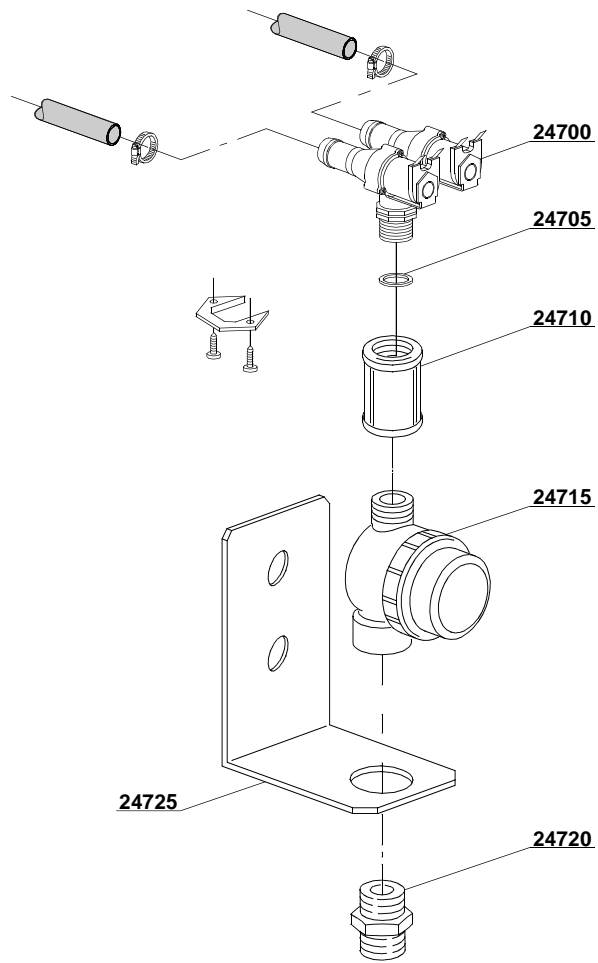


02_120_e



Spare parts

ID	P-code	Model	Type	Accessory	Voltage	Description
MODULE:Control electric components						
21300	50556		18U		A	3/6/9 min. electronic timer
21305	15149		18U			Low noise filter
21305	15187		18U			Low noise filter
21310	2000430		18U			Safety thermostat
21315	2000409		18U			Automatic fuse C40
21315	2000411		18U			Automatic fuse C32
21325	10300401		18U			6/8mm ² yellow/green terminal
21330	50563		18U			Thermostat probe
21335	80200		18U			5x4x3400 cable
21335	75359		18U			4x6 flame-retardant cable
21345	80408		18U			L=345mm slide
21350	80409		18U			L=140mm slide
21355	80417		18U			Fairlead
21360	80407		18U			Proof box
21365	80414		18U			Cable-press
21370	15086		18U			Remote control switch 230V 50/60Hz 4C
21375	2000390		18U			Motorprotector 1 - 1.6A
21380	3006080		18U			Auxiliary contact LMS25
21385	10300050		18U			25A/12A remote control switch
21385	10300052		18U			36A/20A remote control switch
21385	10300054		18U			25A/16A remote control switch
21395	2907080		18U			6-10A temperature relay
21395	80150		18U			9-15A temperature relay
21405	80101		18U			400Vac 3N complet electric box
21405	80102		18U			400Vac 3 complet electric box
21405	80103		18U			230Vac complet electric box
21410	15384		18U			500VA 0-230-400-415-440/230V tranformer
21415	15147		18U			5x20 fuse holder
21420	15161		18U			5x20 1,6A fuse

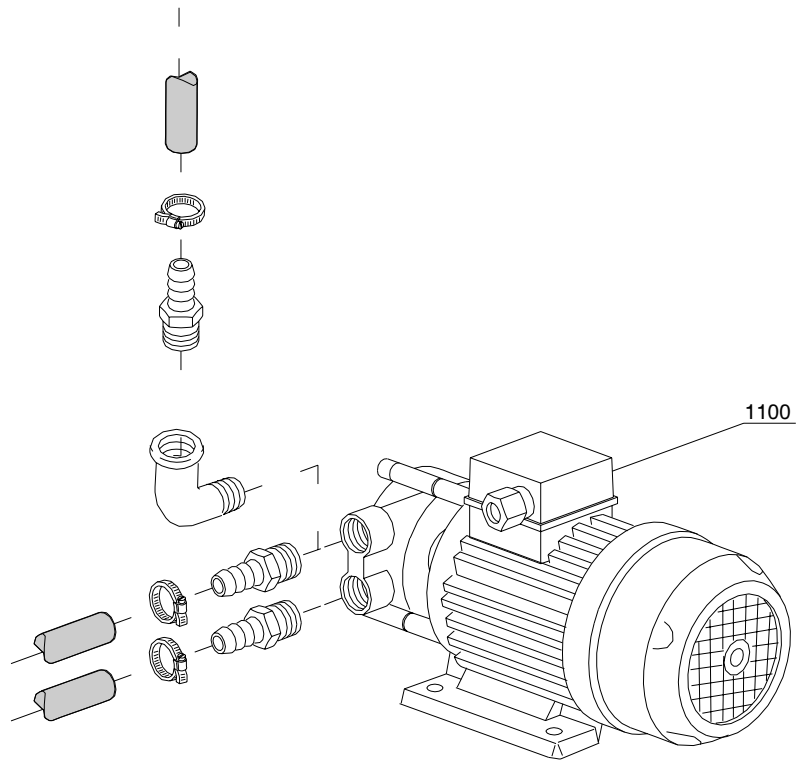


05_006_e

Spare parts

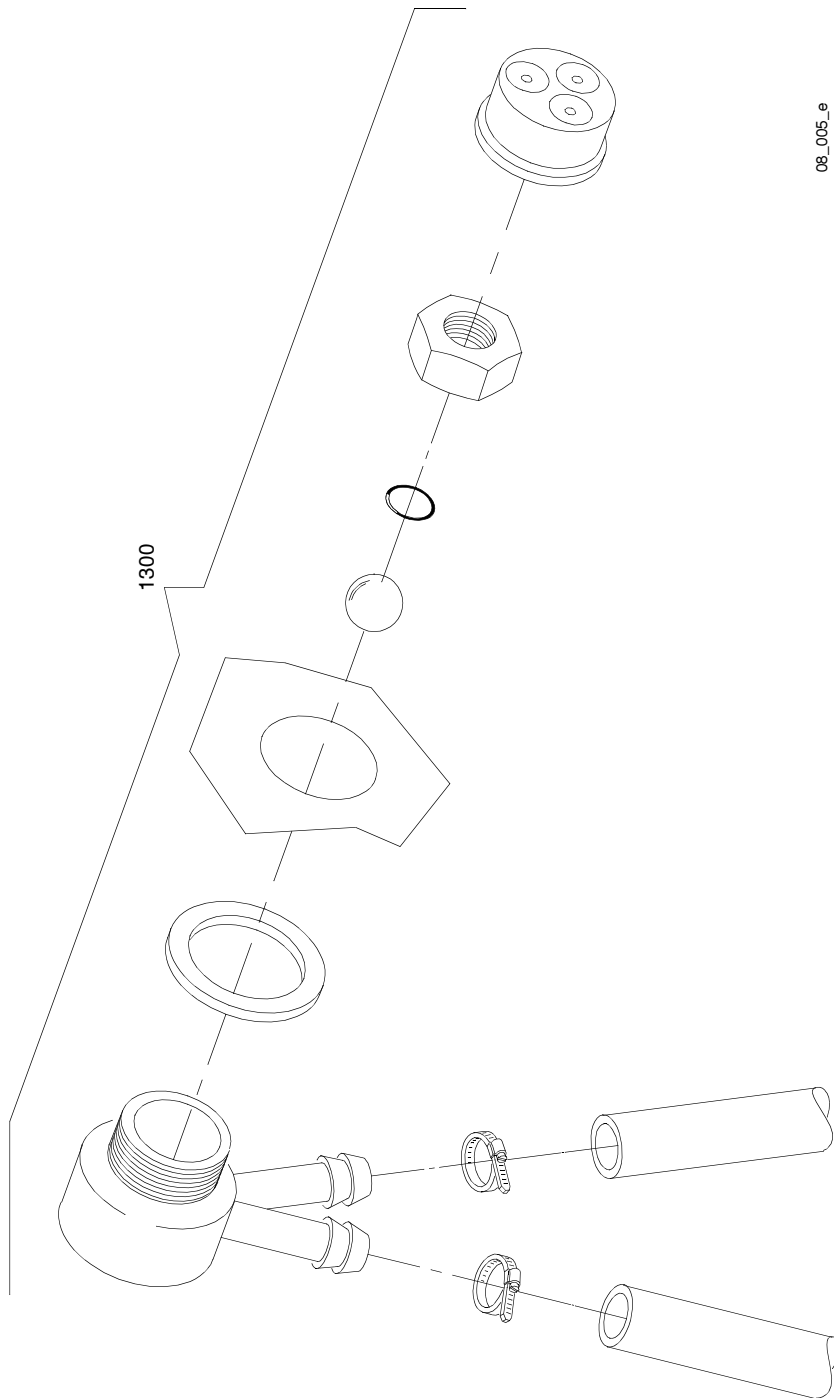
ID	P-code	Model	Type	Accessory	Voltage	Description
MODULE:Solenoid valve group						
24700	30001001		18U			Single solenoid valve
24705	N.C.		18U			Pression reducing valve
24710	80275		18U			Pipe coupling
24715	2000121		18U			Filter
24720	12025		18U			Nipple
24725	22236		18U			Support

07_002_e



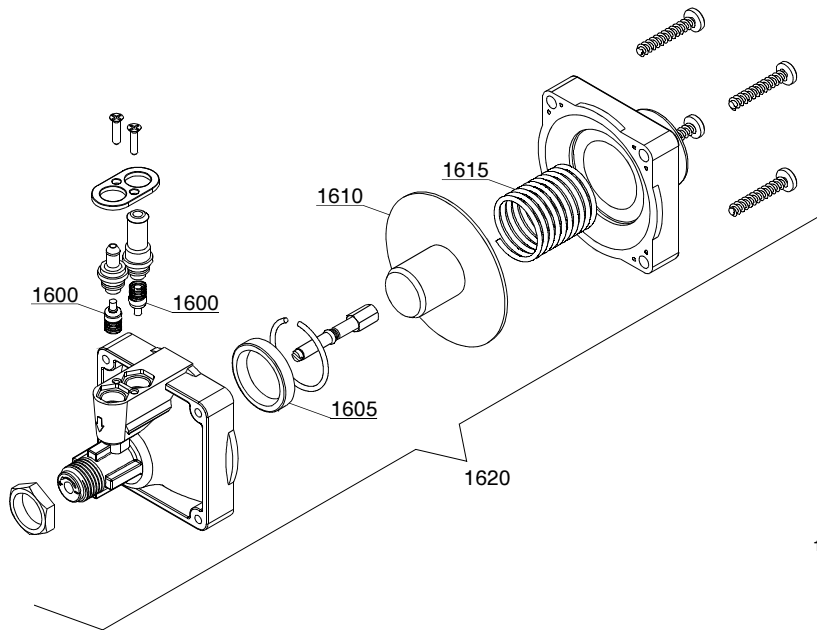
Spare parts

ID	P-code	Model	Type	Accessory	Voltage	Description
MODULE:Booster pump						
1100	15100		18U	bp		Booster pump
1100	15100/A		18U	bp		Booster pump - 60Hz



Spare parts

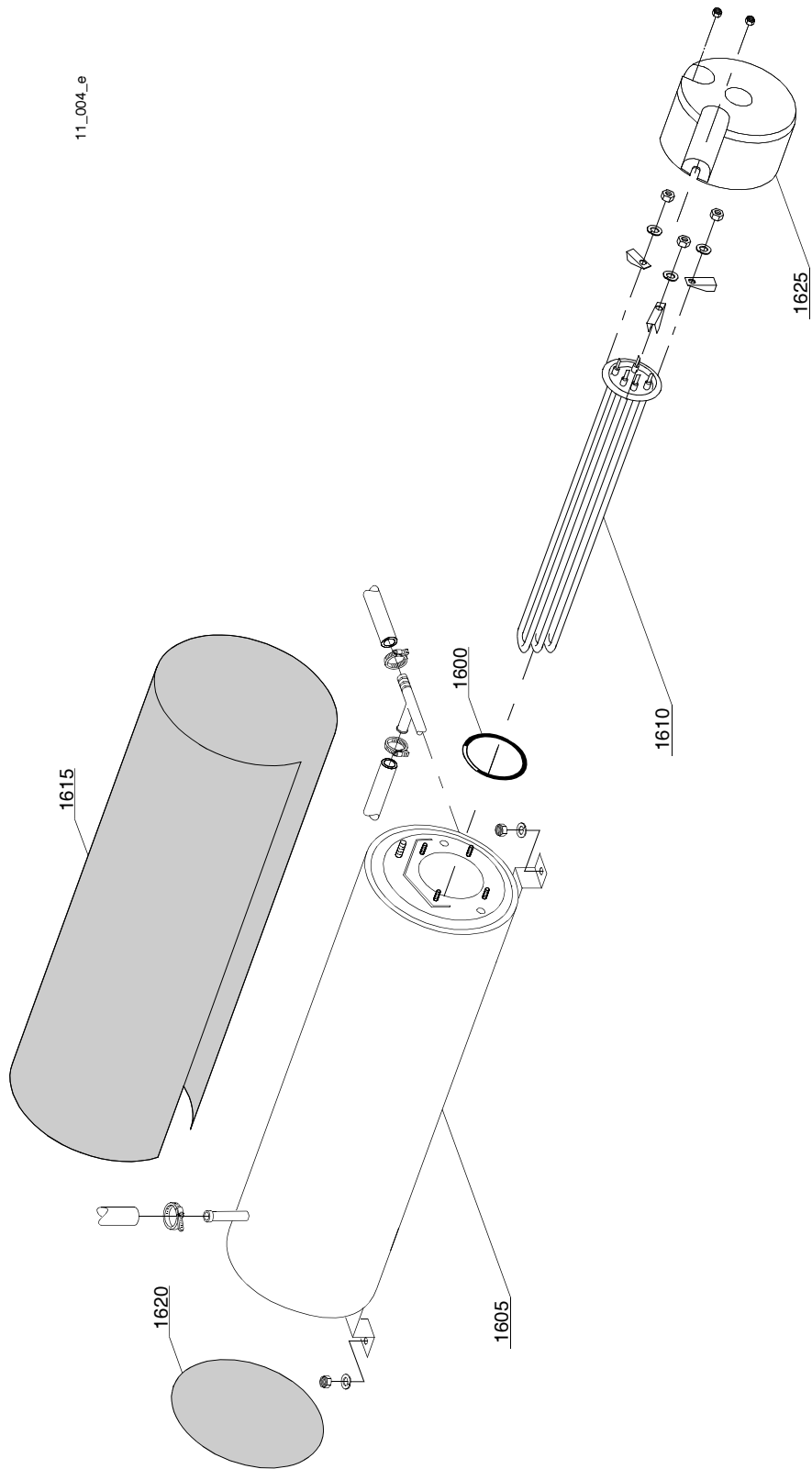
ID	P-code	Model	Type	Accessory	Voltage	Description
MODULE:DVGW						
1300	999900006		18U	dvgw		DVGW assembly



10_003_e

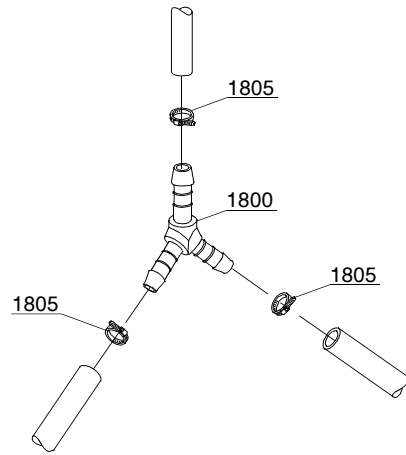
Spare parts

ID	P-code	Model	Type	Accessory	Voltage	Description
MODULE:Shining product dosing device group						
1600	10805		18U			Tecnopro dosing valve
1605	10806		18U			Ø22 gasket
1610	10807		18U			Membrane
1615	10808		18U			Spring
1620	10599999		18U			Shining product dosing device
1625	12525		18U			Counter-weight
1630	15058		18U			Small filter



Spare parts

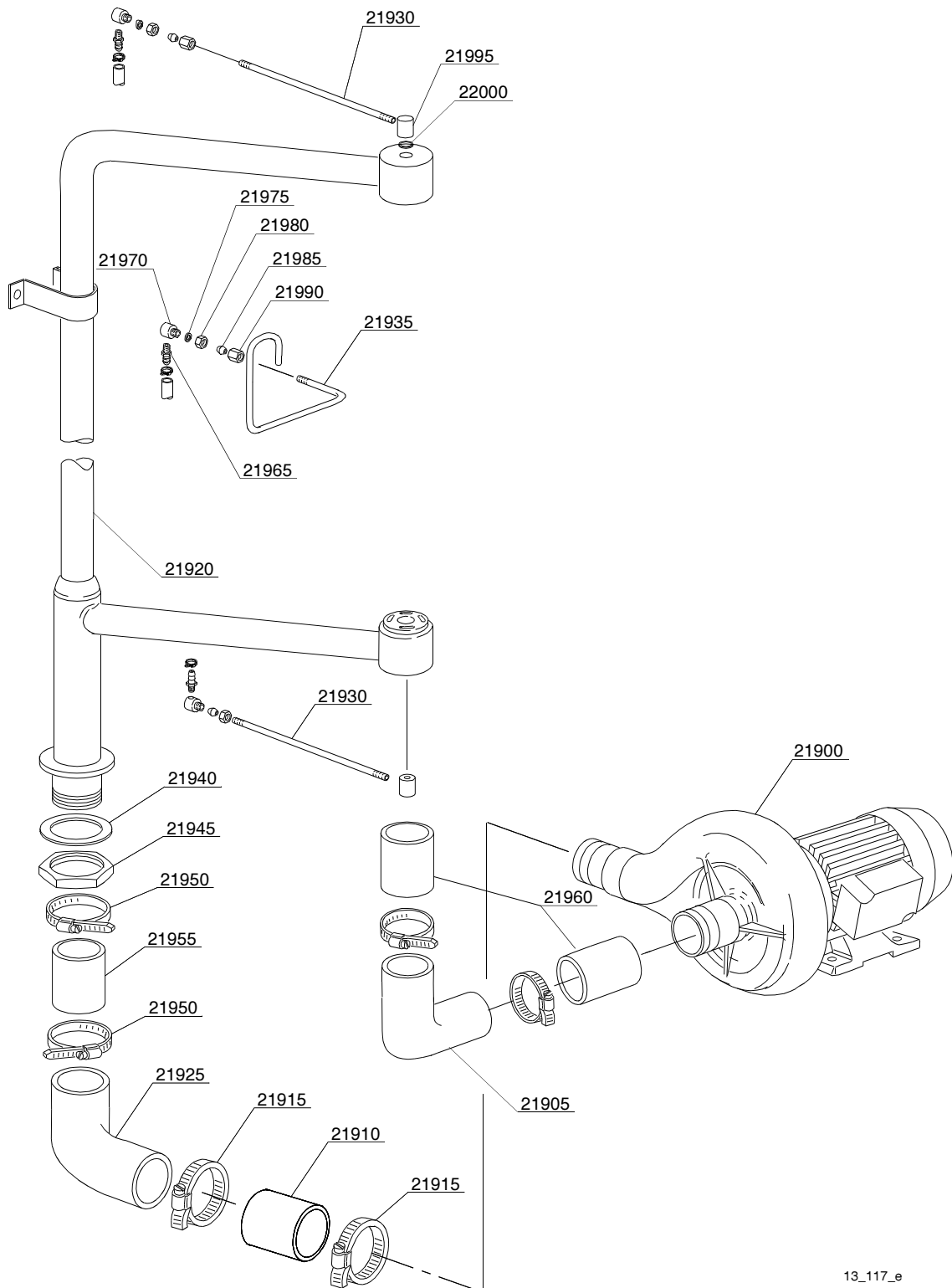
ID	P-code	Model	Type	Accessory	Voltage	Description
MODULE:Boiler group						
1600	13015		18U			6225 OR 160 NBR gasket
1605	80905		18U			Boiler
1610	30001011		18U			9KW heating element
1610	30001011/A		18U			12KW heating element
1610	30001011/C		18U			9KW heating element (440Vac)
1615	30002030		18U			Insulating boiler
1620	75205		18U			Ø160 bottom
1625	75311		18U			Heating element guard



12_003_e

Spare parts

ID	P-code	Model	Type	Accessory	Voltage	Description
MODULE:3 ways derivation						
1800	540091		18U			Ø12 mm plastic 3 ways derivation
1805	11807		18U			12/22 clamp

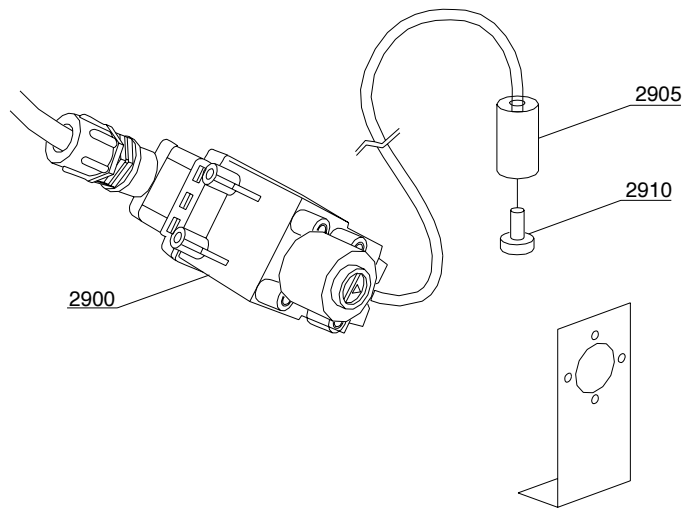
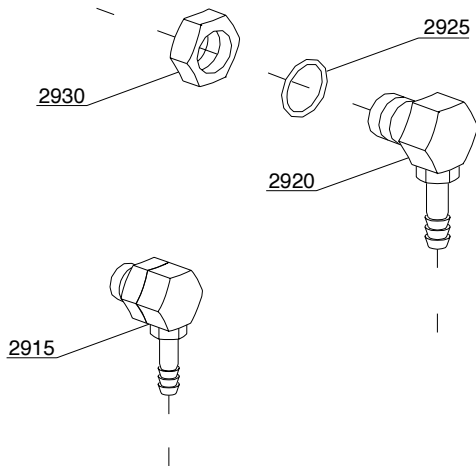


13_117_e

Spare parts

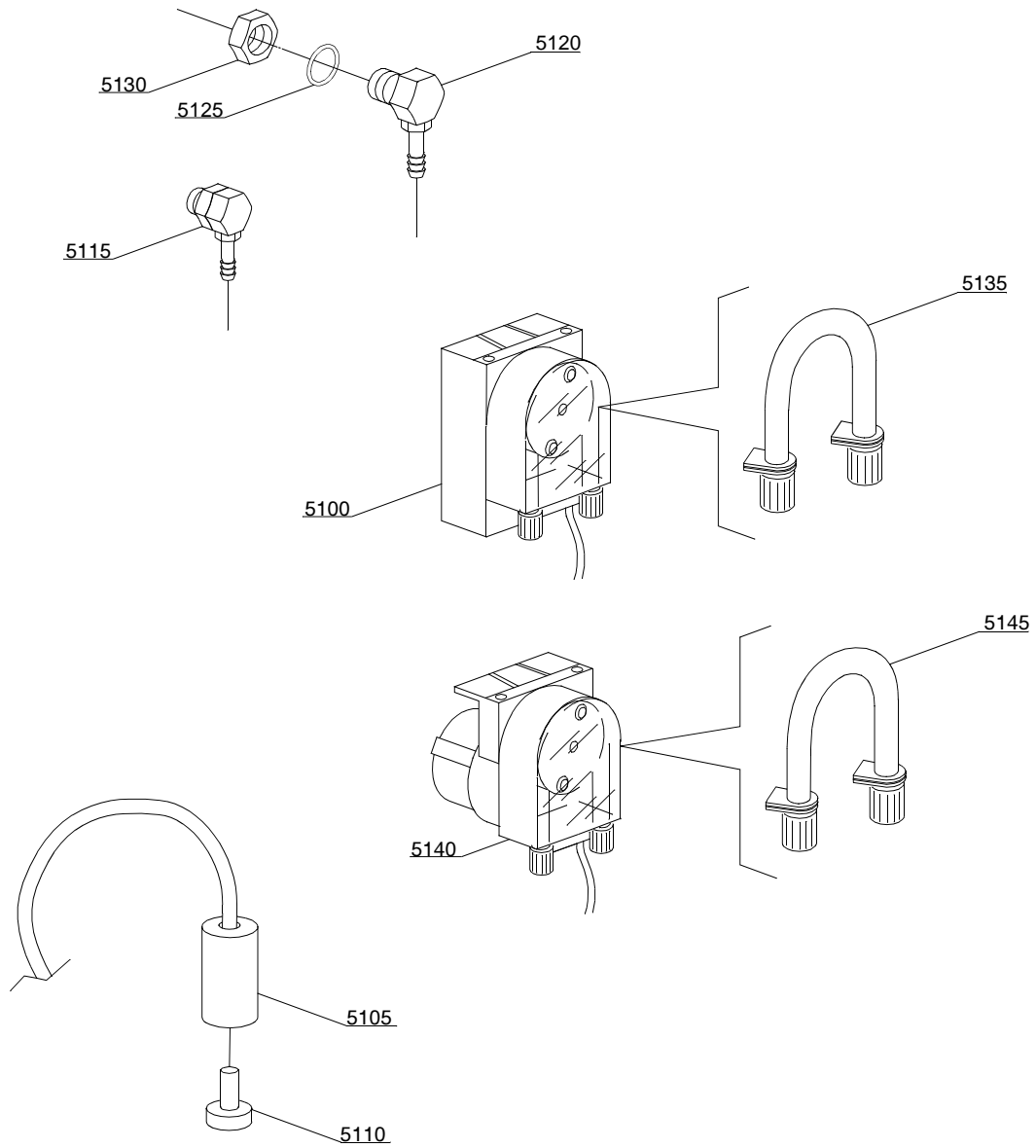
ID	P-code	Model	Type	Accessory	Voltage	Description
MODULE:Wash pump						
21900	80913		18U			4Hp wash pump
21900	80916		18U			4Hp wash pump - 60Hz
21905	80251		18U			Suction pipe coupling
21910	80501		18U			Top delivery pipe
21915	11837		18U			80/100 clamp
21920	80211		18U			Top wash pipe
21925	80252		18U			Inox pipe coupling
21930	80210		18U			Rinse pipe
21935	10200361		18U			Tank load ramp
21940	80208		18U			95x75x3 gasket
21945	80213/A		18U			Ramp fixing nut
21950	2902491		18U			60/80 clamp
21955	80500		18U			63,5x90mm Pipe coupling
21960	80502		18U			75x130mm pipe coupling
21965	12005		18U			Rubber-holder
21970	80231		18U			Rinse pipe fitting
21975	10200171		18U			25x17x2 gasket
21980	10200101		18U			Nut
21985	10200182		18U			Bicone washer
21990	10600016		18U			Nut
21995	10600202		18U			Rinse elbow
22000	13009		18U			OR 2050 NBR gasket

14_002_e



Spare parts

ID	P-code	Model	Type	Accessory	Voltage	Description
MODULE:Dosing device group						
2900	15108/L		18U	dd		Lang dosing device
2905	12525		18U	dd		Counter-weight
2910	15058		18U	dd		Small filter
2915	15123		18U	dd		Compleat plastic injector
2920	15148		18U	dd		Steel injector
2925	15159		18U	dd		OR gasket
2930	10200205		18U	dd		M12x1 stainless steel nut

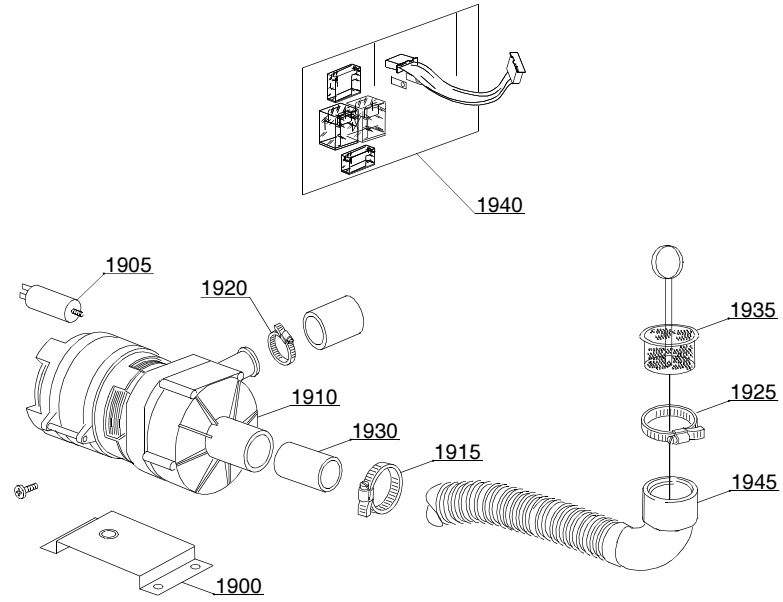


14_004_e

Spare parts

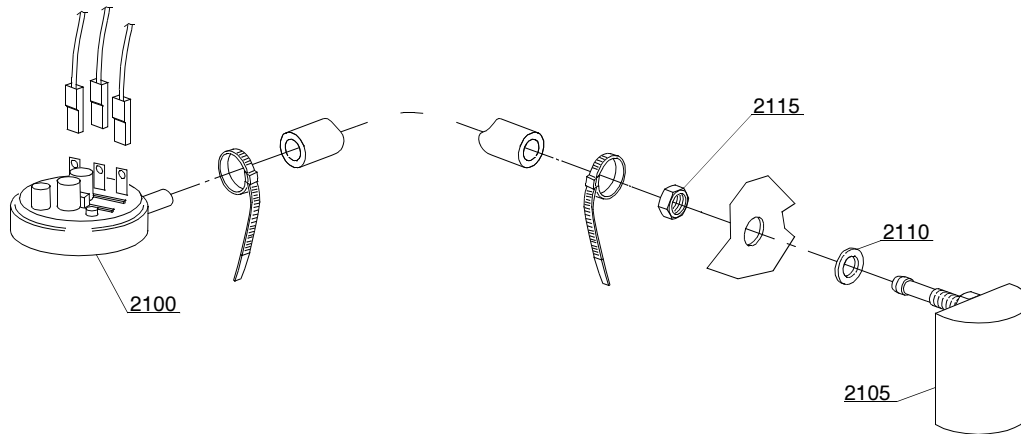
ID	P-code	Model	Type	Accessory	Voltage	Description
MODULE:Dosing device group						
5100	15985		18U	dd		Seko dosing device
5105	12525		18U	dd		Counter-weight
5110	15058		18U	dd		Small filter
5115	15123		18U	dd		Complet plastic injector
5120	15148		18U	dd		Steel injector
5125	15159		18U	dd		OR gasket
5130	10200205		18U	dd		M12x1 stainless steel nut
5135	15185		18U	dd		Seko thermoplastic pipe
5140	15985		18U	dd		Germac dosing device
5145	15108/E		18U	dd		Germac thermoplastic pipe

15_003_e



Spare parts

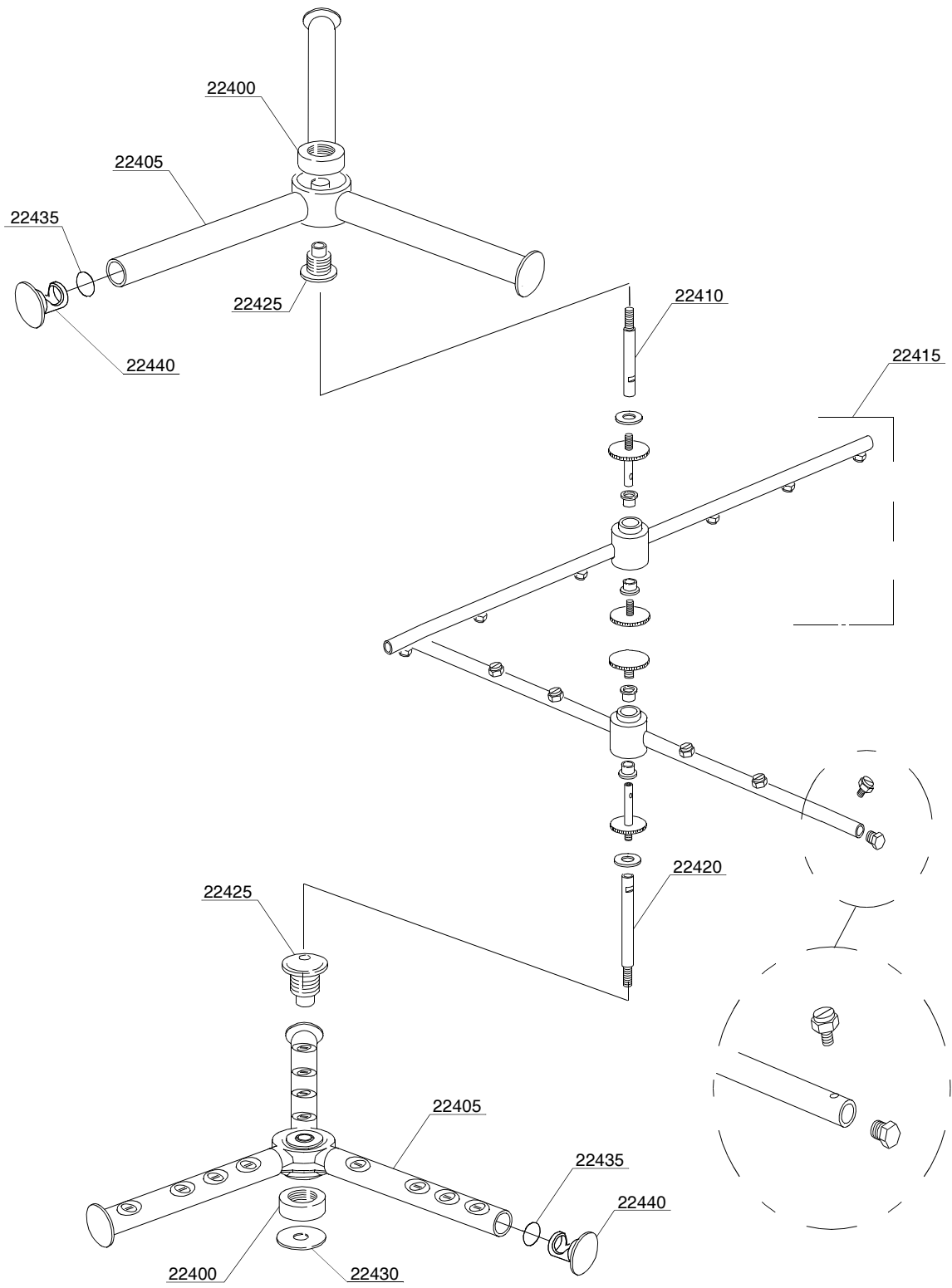
ID	P-code	Model	Type	Accessory	Voltage	Description
MODULE:Drain pump group						
1900	440122		18U	dp		Pump support
1905	10702		18U	dp		5 Uf Condenser
1910	10501/A		18U	dp		0,10 Hp wash pump
1915	11806		18U	dp		25/40 clamp
1920	11836		18U	dp		20/32 clamp
1925	11809		18U	dp		30/45 clamp
1930	15131		18U	dp		Suction pipe
1935	10200039		18U	dp		Flow drain filter
1940	50559		18U	dp		Electronic timer for Exp - Ps card
1945	11600050		18U	dp		Suction pipe



16_001_e

Spare parts

ID	P-code	Model	Type	Accessory	Voltage	Description
MODULE:Pressure switch group with air trap						
2100	80225		18U			260-30 pressure switch
2105	10911		18U			Air trap assembly
2110	13301		18U			Gasket
2115	11702		18U			M8 stainless steel nut



17_115_e

Spare parts

ID	P-code	Model	Type	Accessory	Voltage	Description
MODULE:Turret group with rotating arms						
22400	80222		18U			Nut for hub
22405	80218		18U			Wash group
22410	80321		18U			Upper rinse axle
22415	90003		18U			Rinse group
22420	80320		18U			Lower rinse axle
22425	80221		18U			Hub for rotor
22430	11600033		18U			Flux reducer
22435	13023		18U			OR 131 (4093) NBR gasket
22440	3003029		18U			Plastic plug