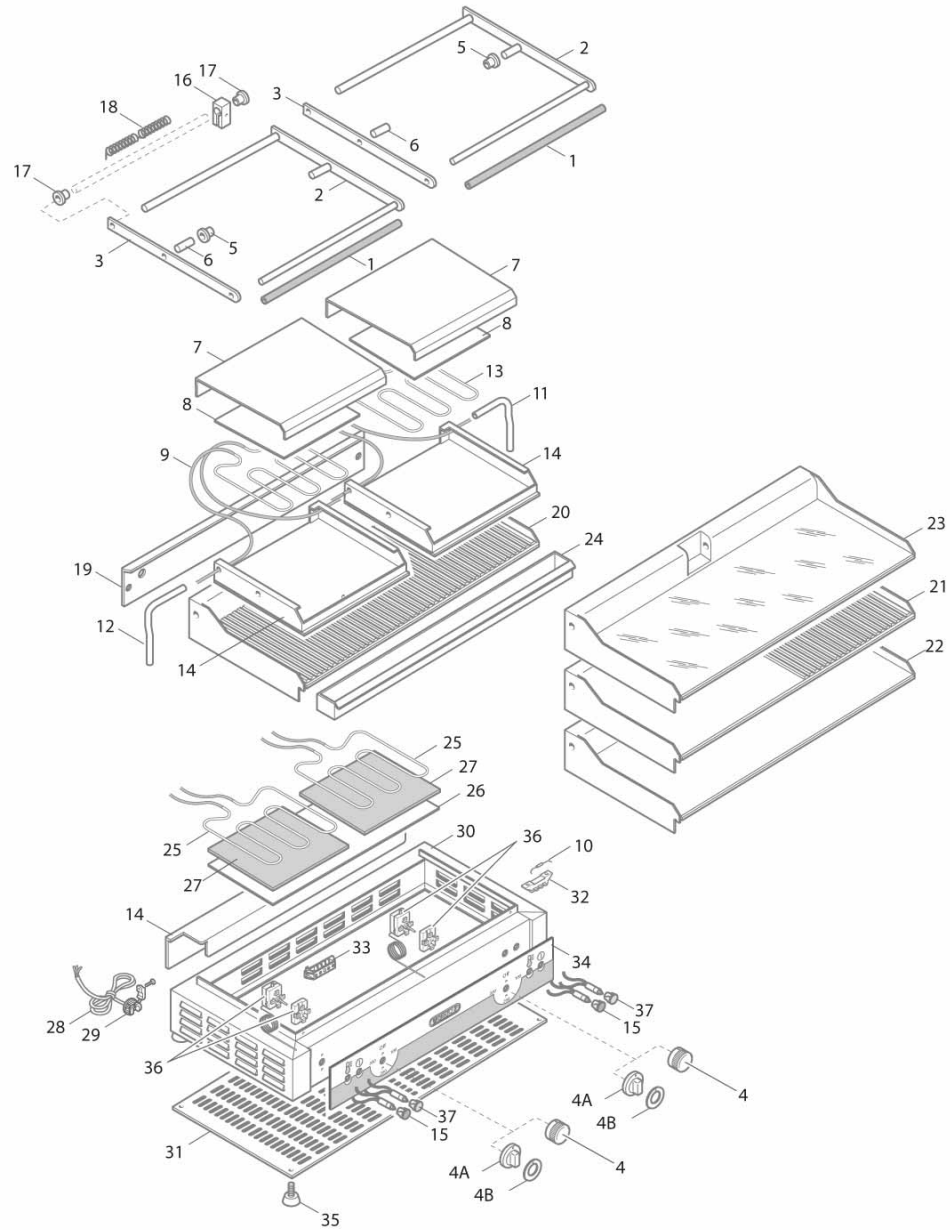




PDL/SX





PDL/SX

Pos. Item	Codice Code	Descrizione	Item Description	Designation articles	Artikelbeschreibung	Decripción artículos	N° pezzi - No. pieces					
											PDL/SX	
1	30875500	Manico moplen rosso pd	Red moplen pin pd	Ma. moplen rouge pd	Roter moplen griff pd	Asa moplen roja pd						2
2	30876300	Ass. maniglia dx pm	Handle assembly rh pm	Po. complete droite pm	Kompletter griff pm	Conjunto asa dcha. pm						2
3	30875700	Manico laterale ps/pm/pd zn	La. handle ps/pm/pd zn	Ma. latÉral ps/pm/pd zn	Seit. griff ps/pm/pd zn	Asa la. ps/pm/pd zn						4
4	35877200	Man. rossa p. 6x4.6 a o° ral3000	Red knob p. 6x4.6 a o° ral3000	Ma. rouge p. 6x4.6 a o° ral3000	Drehknopf p. 6x4.6 a o° ral3000	Mando rojo p. 6x4.6 a o° ral3000						2
4	35876200	Manopola rossa p. 6x4.6 a o°	Red knob 6x4.6 o° c	Manette rouge 6x4.6 o° c	Drehknopf 6x4.6 o° c	Mando rojo 6x4.6 o° c						2
4A	31953500	Serig.rossa manop.frytop/forno	Knob serigraphy	Serigraphie manette	Drehknopfserigraphie	Serigrafia mando						2
5	30779900	Boccola zincata x piastre st/sx/vtr	Galvanised bushing	Douville galvanisÉe	Verzinkte buchse	Boquilla cincada						4
6	30907800	Perno centrale pd (zincato)	Central pin pd	Pivot central pd	(verzinkt) ze. bolzen pd	Perno central pd						2
7	30804600	Coperchio ps/pd st/vtr	Lid ps/pd st.	Cou. ps/pd st/vtr	De. ps/pd st/vtr	Tapa ps/pd st.						2
8	30868800	Lastra protez. ferro piccola	Single protective sheet	Plaque de protection simple	Einzelne schutzplatte	Placa de proteccion individual						2
9	30193400	Tu. vetrotex d.5 l.250 mm	Glass tube	Tube verre	Isolierend kleines rohr fuer	Tube vidrio						10
10	30978100	Termofusibile 152°c - 15a	Thermofuse 152°c - 15a	Thermofusible 152°c - 15a	Thermoschmelzdraht 152°c - 15a	Termofusibile 152°c - 15a						2
11	30809800	Curvetta passafili sx pd	Lh angle conduit	Co. de protection cÅbles g.che	L. geb. stÜck drahtfÜhrung	Codo para cables izquierdo						1
12	30810100	Curvetta passafili dx ps/pm/pd	Rh angle conduit	Co. de protection cÅbles droite	R.gebogenes stÜck draht.	Codo para cables derecho						1
13	30022500	Res.compl.700w-230v ps/pd	Resistance complete 700w-230v	Resistance complete 700w-230v	Obere heiz. 700w 230 v	Resistencia completa 700w-230v						2
14	30910100	Ass. piastra superiore rigata	Upper ri. plate	Pl. rainurÉe supÉrieure	Ger. obere platte	Placa sup. estriada						2
15	30168500	Spia arancio 230v d.10mmt150Ø	Orange lamp 230v	Temoin lumineux orange 230v	Orange kontrollampe 230v	Piloto naranja 230v						2
16	30779100	Blocco frizione ps/pm/pd st-vtr	Clutch blockage ps/pm/pd st-vtr	Blocage friction ps/pm/pd st-vtr	Blockung fuer kupplung	Bloqueo friccion						2
17	30780200	Bo. zn con cava ps/pm/pd sx/st/vtr	Bushing with cavity	Douille creuse	Buchse mit nut	Boquilla ranurada						4
18	30613100	Molla pd/vtr	Spring pd/vtr	Ressort pd/vtr	Feder pd/vtr	Muelle pd/vtr						2
19	30790200	Carter pd/st-vtr	Rear ca. pd/st-vtr	Ca. arriÈre pd/st-vtr	Hin. gehÄuse pd/st-vtr	Ca. posterior pd/st-vtr						1
20	30909600	Ass. piastra inferiore pdr/st	Ri. lower plate pdr/st	Pl. infÉrieure rainurÉe pdr/st	Ger. untere platte pdr/st	Placa inf. estriada pdr/st						-
21	30909700	Ass. piastra inferiore pdm/st	Mixed lower plate pd.	Pl. infÉrieure mixte pdm/st	Gem. untere platte pdm/st	Placa inf. mixta pdm/st						-
22	30909800	Ass. piastra inferiore pdl/st	Sm. lower plate pdl/st	Pl. infÉrieure lisse pdl/st	Gl. untere platte pdl/st	Placa inf. lisa pdl/st						-
23	30909810	Ass. piastra inf.pdl/sx lucid.	Smooth lower plate pdl/sx	Plaque infÉrieure lisse pdl/sx	Glatte untere platte pdl/sx	Placa inferior lisa pdl/sx						1
24	30791900	Ass.cassetto racco. pd	Drip tray pd	Bac recueille-sauces pd	Sauceauffangschale pd	Cassacassetto del racco.pd						1
25	30023500	Res.inf.comp.1000w-230v ps/p	Resistance 1000w-230v ps/p	Resistance 1000w-230v ps/p	Un. heizkoerper 1000 w 230v	Resistencia 1000w-230v ps/p						2
26	30868600	Lastra protez. ferro grande	Large protective sheet	Plaque de protection grande	Grosse schutzplatte	Placa de proteccion grande						1
27	30921800	Qua. isomart ps/pd-pm/vtr 210x170x4	Isomart panel 210x170x4	Tableau isomart 210x170x4	Isoli. trenner 210x170x4	Panel isomart 210x170x4						2
28	30192600	Cavo 5x2.5 pd/l-d-st-sx-vtr	Power su. cable 5 x 2,5mm	Cable d'alim. 5 x 2,5mm	Versorg. 5 x 2,5mm	Cable de alime. 5x2,5 mm.						1
29	30185400	Passacavo pa 277 i.m.q.	Cable guide	Passe-cÅble	KabelfÜhrung	Aislador pasapanel						1
30	30863700	Ass.involucro base pd/l-d-vtr-st-sx	Base enc. pd/l-d-vtr-st-sx	Couv. base pd/l-d-vtr-st-sx	HÜlle basis pd/l-d-vtr-st-sx	Env. base pd/l-d-vtr-st-sx						1
31	30837500	Fondo per pd/l-d-st-sx-vtr	Bo. pd/l-d-st-sx-vtr	Fond pd/l-d-st-sx-vtr	Bodenpl. pd/l-d-st-sx-vtr	Fondo pd/l-d-st-sx-vtr				fondo pd/l-d-st-sx-vtr		1
32	30184800	Morsettiera laterale fv 77/3	Lateral terminal board fv 77/3	Bornier latÉral fv 77/3	Sei. klemmenleiste fv 77/3	Bornera lateral fv 77/3						2
33	30184200	Morsettiera a 6 poli fv 122 b (lau 10)	Terminal board 6 poles	Bornier 6 poles	Klemmenleiste	Bornera 6 polos						1
34	30899900	Pan. piastra doppia bertos	Berto's adhesive panel	Panneau adhÉsif bertos's	Haftendes paneel bertos's	Panel adhesivo bertos's						1
35	30684100	Piedi. d.30xm8condado basso h.6mm	Foot h.6mm	Pied h.6mm	Fuss h.6mm	Pata h.6mm						4
36	30064600	Termostato 270°c. + commutatore	270°c thermostat + cycle selector	Ther. 270°c + commutateur de cycle	Ther. 270°c + umschalter zyklus	Termostato 270°c + conmutador						2
37	30168800	Spia verde 230v d.10mmt150Ø	Green lamp 230v	Temoin lumineux vert 230v	Grune kontrollampe 230v	Piloto verde 230v						2