

# SLD150

This parts list contains the part numbers for all SLD150 Cube Ice Dispensers.

There have been two basic models:

- SLD150-1 was manufactured up to September 1996.
- SLD150-1B manufacturing began in October 1996.

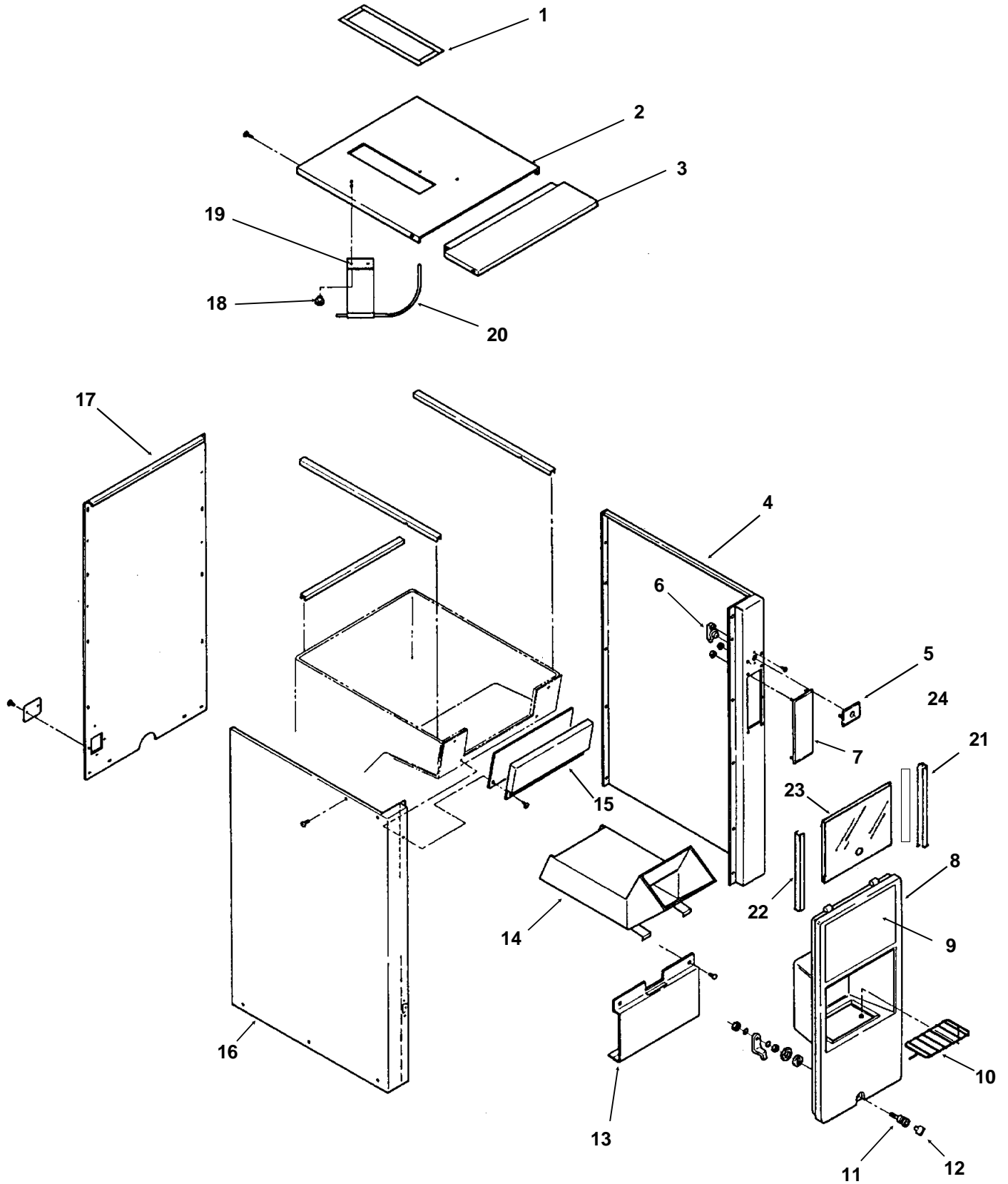
They have completely different dispensing mechanisms. **Be sure to check the complete model number before ordering the part.**

## Table of Contents

SLD150-1B Cabinet . . . . .	page 2
SLD150-1 Cabinet . . . . .	page 4
SLD150-1B Bin . . . . .	page 6
SLD150-1 Bin . . . . .	page 7
SLD150-1B Dispensing parts . . . . .	page 9
SLD150-1B Door and Solenoid . . . . .	page 10
Kit parts . . . . .	page 11
Wiring Diagram . . . . .	page 12

# SLD150

## Cabinet Parts - SLD150S-1B



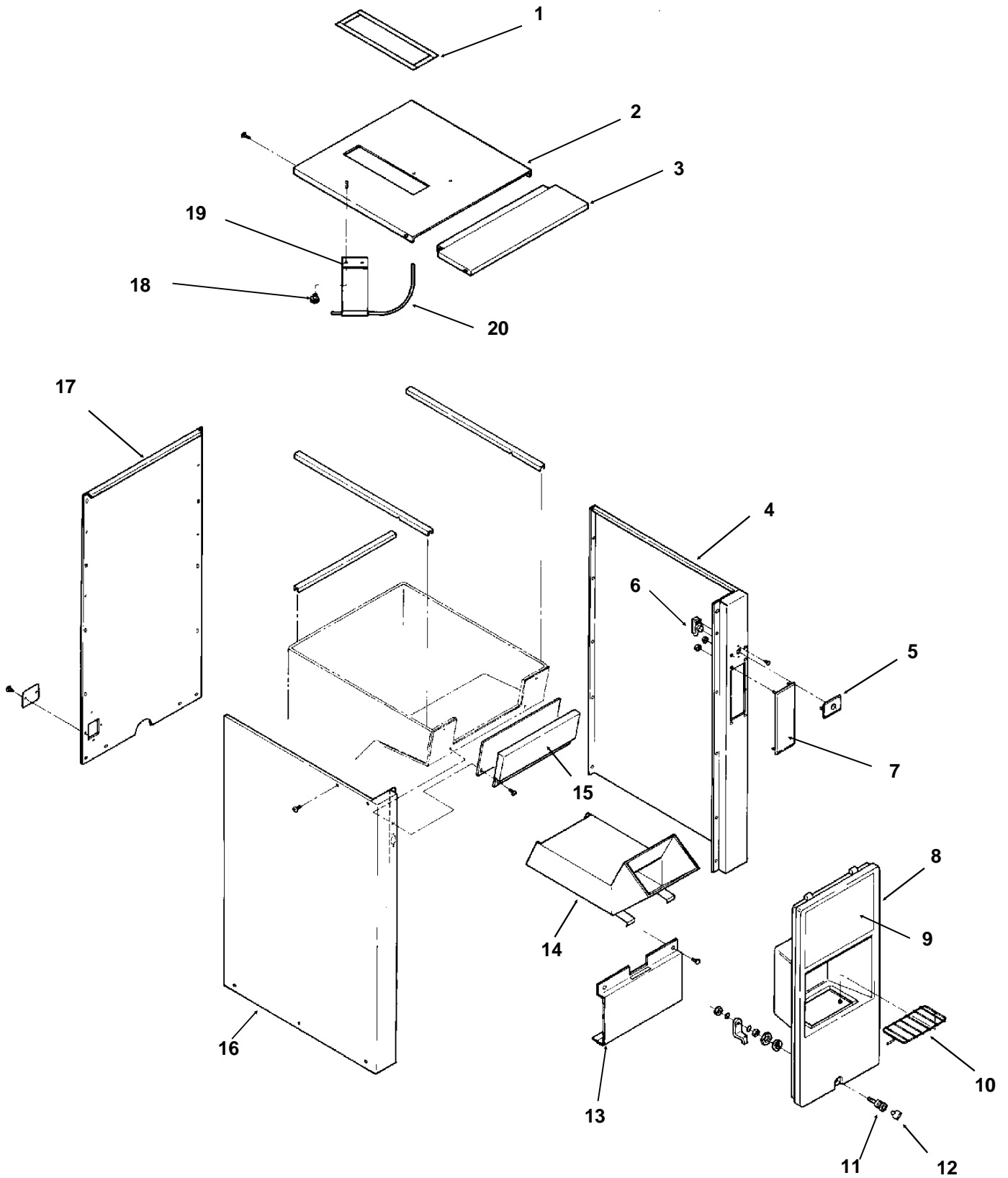
# SLD150

## Cabinet Parts - SLD150S-1B

<b>Item Number</b>	<b>Part Number</b>	<b>Description</b>
1	19-0503-04	Gasket 24" around cube chute, 90" around top. Order per foot.
2	C80630001	Bin cover, back
3	C80445001	Bin cover front
4	C80627301	Right side panel, stainless steel
5	C80416302	Switch cover, stainless steel
6	C41771800	Vend switch
7	C80417802	Cover, stainless steel
8	C80627601	Sink & panel
9	no number	Graphic
10	C80417401	Grill
11	C80416401	Lock
12	C80415601	Key
13	C80627101	Bottom panel
14	C80416601	Drain chute
15	C80627001	Top front panel, stainless steel
16	C80627302	Left side panel, stainless steel
17	C80627401	Back panel
18	C01231300	Thumbscrew
19	C80418401	Bracket
20	C80418301	Tube
21	C80571402	U channel, right
22	C80571401	U channel, left
23	C80571601	Window
24	C80571501	Guide

# SLD150

## Cabinet Parts - SLD150-1



# SLD150

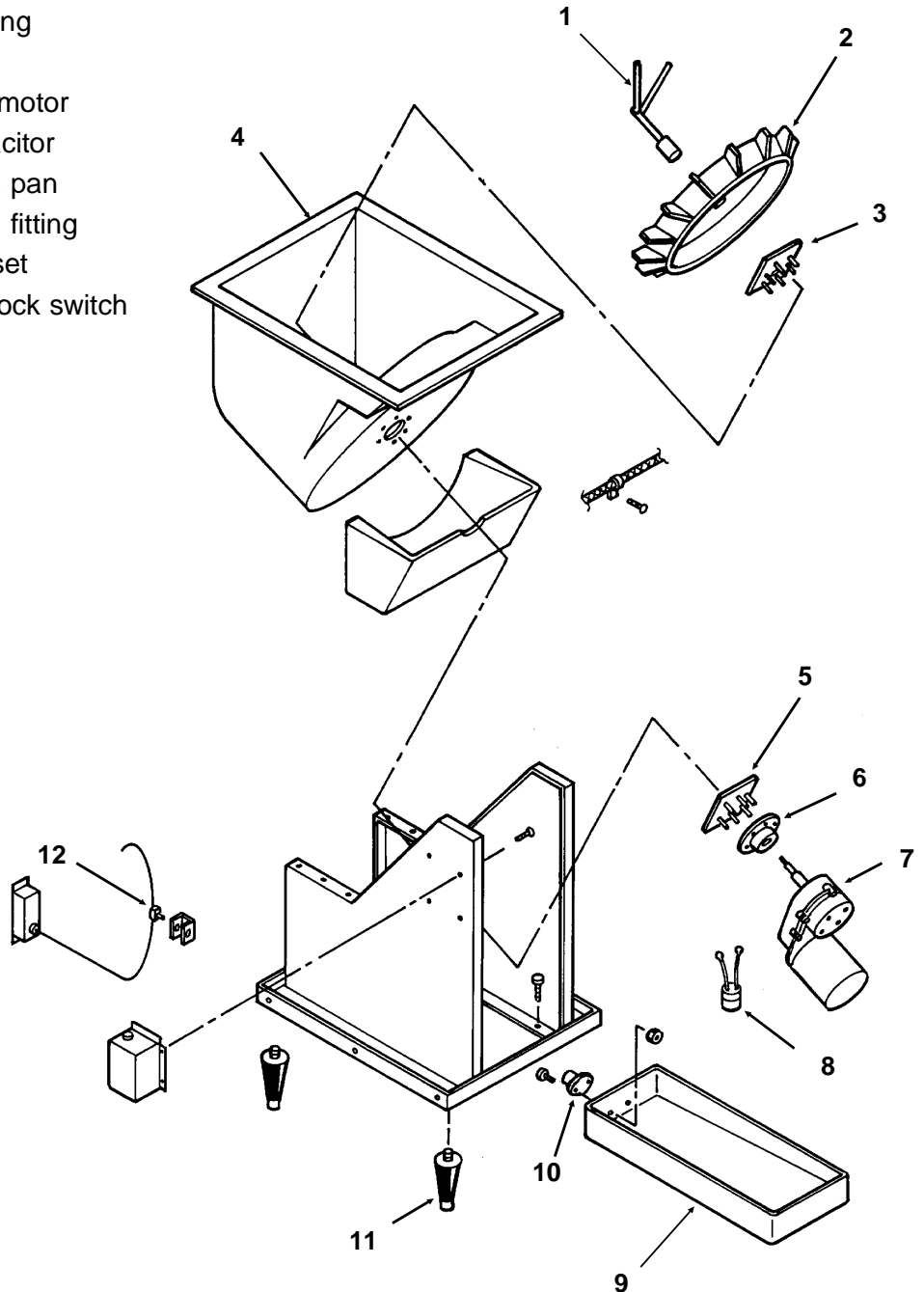
## Cabinet Parts - SLD150-1

<b>Item Number</b>	<b>Part Number</b>	<b>Description</b>
1	19-0503-04	Gasket 24" around cube chute, 90" around top. Order per foot.
2	C80416201	Bin cover, back
3	C80445001	Bin cover front
4	C80415505	Painted right side panel
	C80415503	Right side panel, stainless steel
5	C80416302	Switch cover, stainless steel
	C80416303	Switch cover, painted
6	C41771800	Vend switch
7	C80417802	Cover, painted
	C80417803	Cover, stainless steel
8	C80416001	Sink & panel
9	no number	Graphic
10	C80417401	Grill
11	C80416401	Lock
12	C80415601	Key
13	C80414703	Bottom panel
14	C80542601	Drain chute
15	C80413503	Top front panel, painted
	C80413502	Top front panel, stainless steel
16	C80415506	Painted left side panel
	C80415504	Left side panel, stainless steel
17	C80415701	Back panel
18	C35926400	Thumbscrew
19	C80418401	Bracket
20	C80418301	Tube

# SLD150

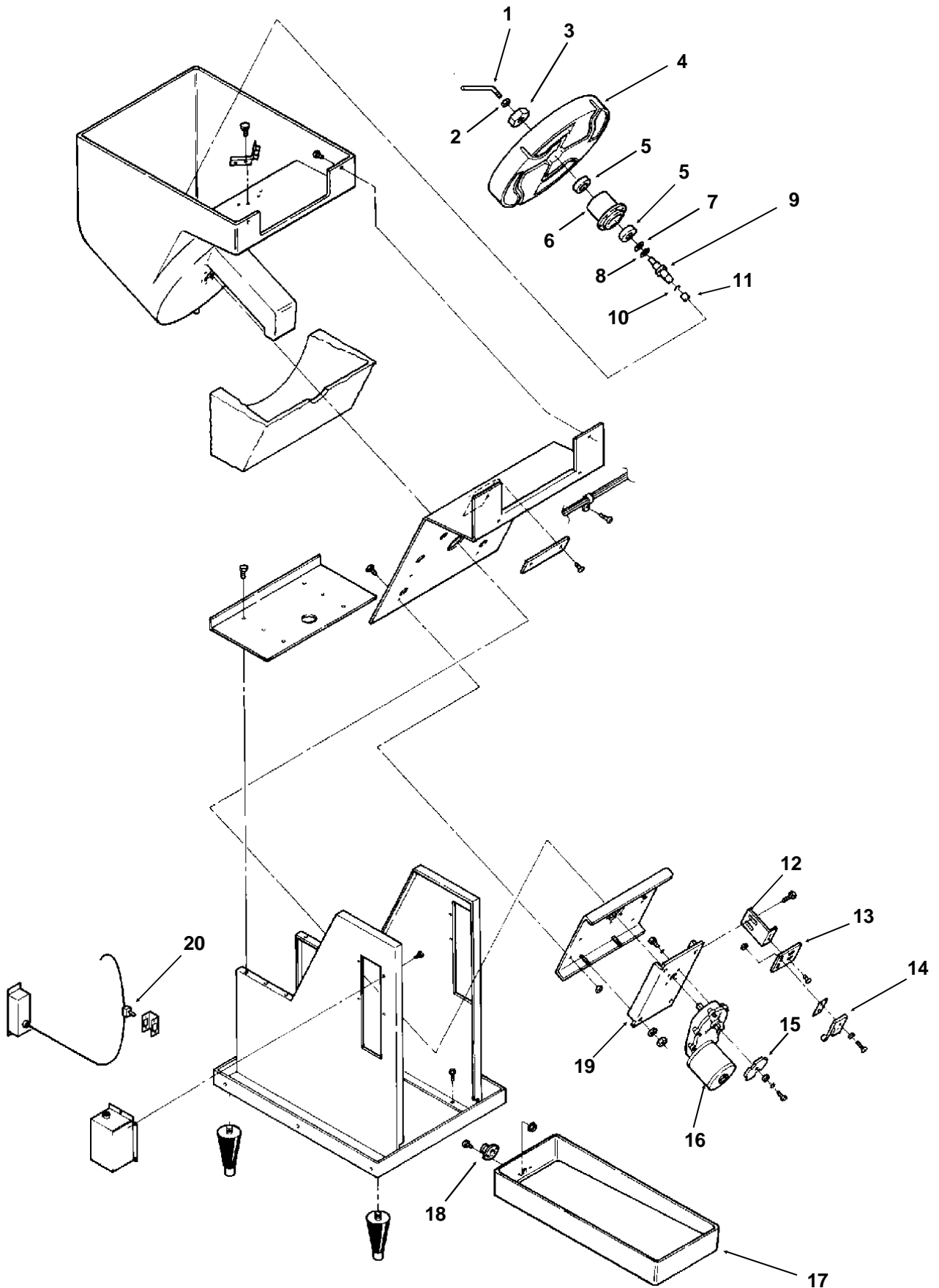
## Bin Parts - SLD150S-1B

Item Number	Part Number	Description
1	C30074400	Sweep arm
2	02-3040-01	Rotor
3	A34810-001	Plate assembly
4	C80628501	Bin
5	A34817-001	Gearmotor plate
6	A34760-001	Hub, includes bearing and seal
6a	02-3075-01	Bearing
6b	02-3065-01	Seal
7	12-2369-01	Gearmotor
8	C12235901	Capacitor
9	C80416601	Drain pan
10	C36619500	Drain fitting
11	KLP2S	Leg set
12	C33810100	Interlock switch



# SLD150

## Bin Parts - SLD150S-1



# SLD150

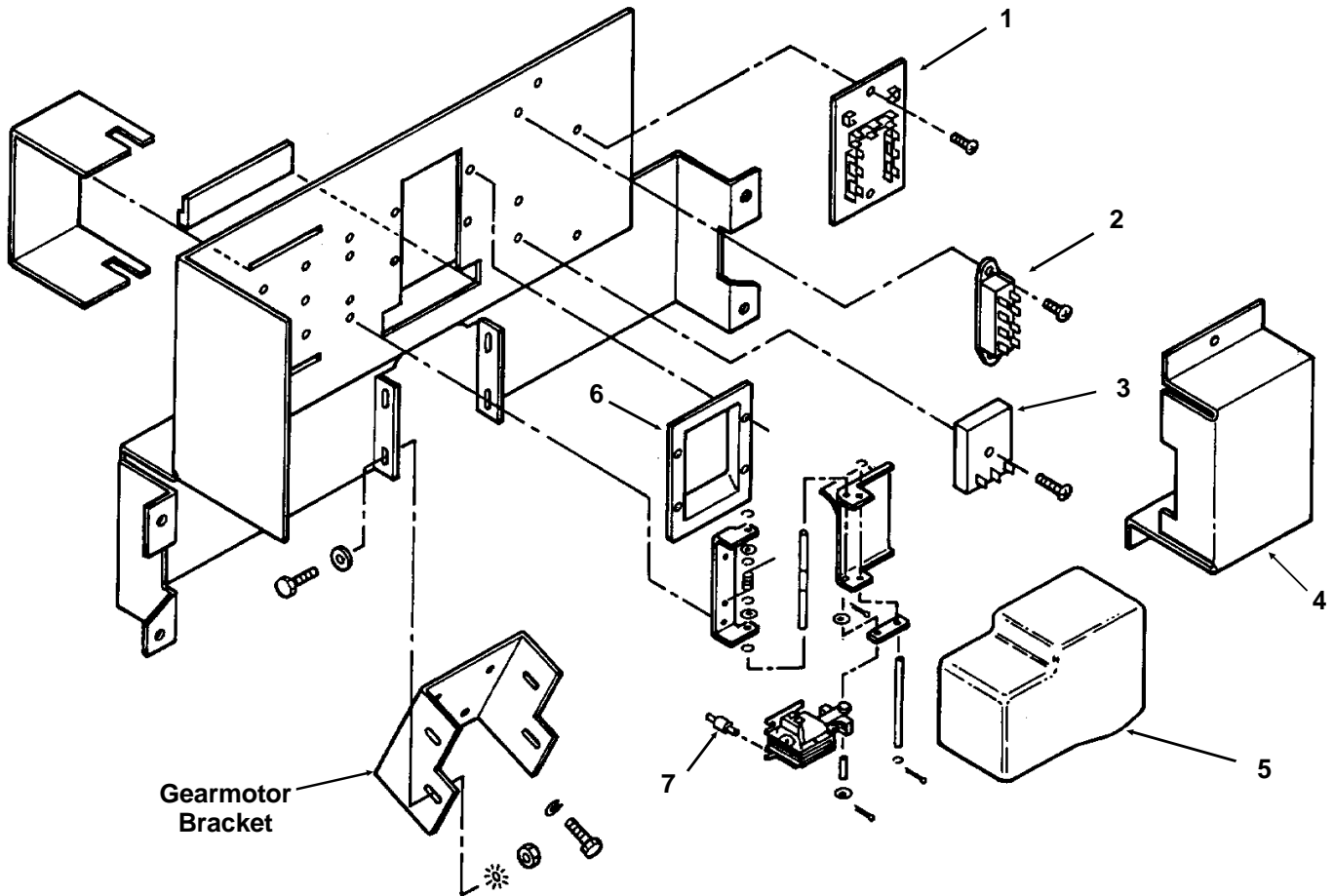
## Bin Parts for SLD150-1

<b>Item Number</b>	<b>Part Number</b>	<b>Description</b>
1	C80420301	Arm
2	C40499910	Nut
3	C80414001	Nut, large
4	C80415101	Dispensing wheel
5	02-2186-02	Bearing cone
	02-2186-01	Bearing cup
6	C80414301	Housing
7	02-2027-01	Shim
8	02-2026-01	Shim
9	C80414101	Shaft
10	C80417201	Snap ring
11	C80414201	Coupling
	C80419201	Pin
12	C80414901	Rear switch bracket
13	C80414801	Front switch bracket
14	C80417901	Cam switch
15	C80414501	Cam
16	C80417601	Gearmotor
17	C80416601	Condensate pan
18	C36619500	Drain fitting
19	C80413701	Gearmotor bracket
20	C33810100	Interlock switch



# SLD150

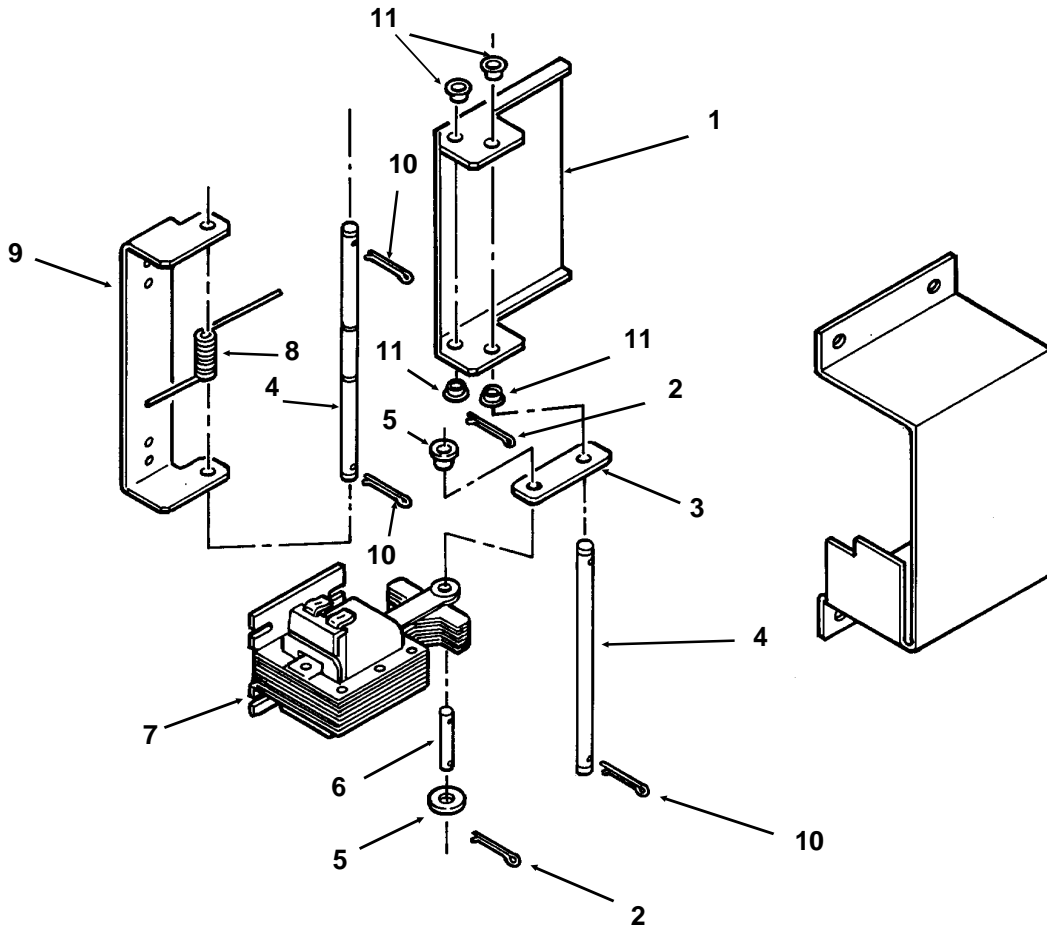
## SLD150S-1B Dispensing Mechanism



Item Number	Part Number	Description
1	C18223900	Terminal Board
2	C46292701	Control relay
3	C80629301	Timer - 3 seconds on every 2 hours
4	ref. only	Cover
5	02-3067-01	Solenoid cover
6	02-3188-01	Spout adapter
7	13-0882-01	Rubber mounts

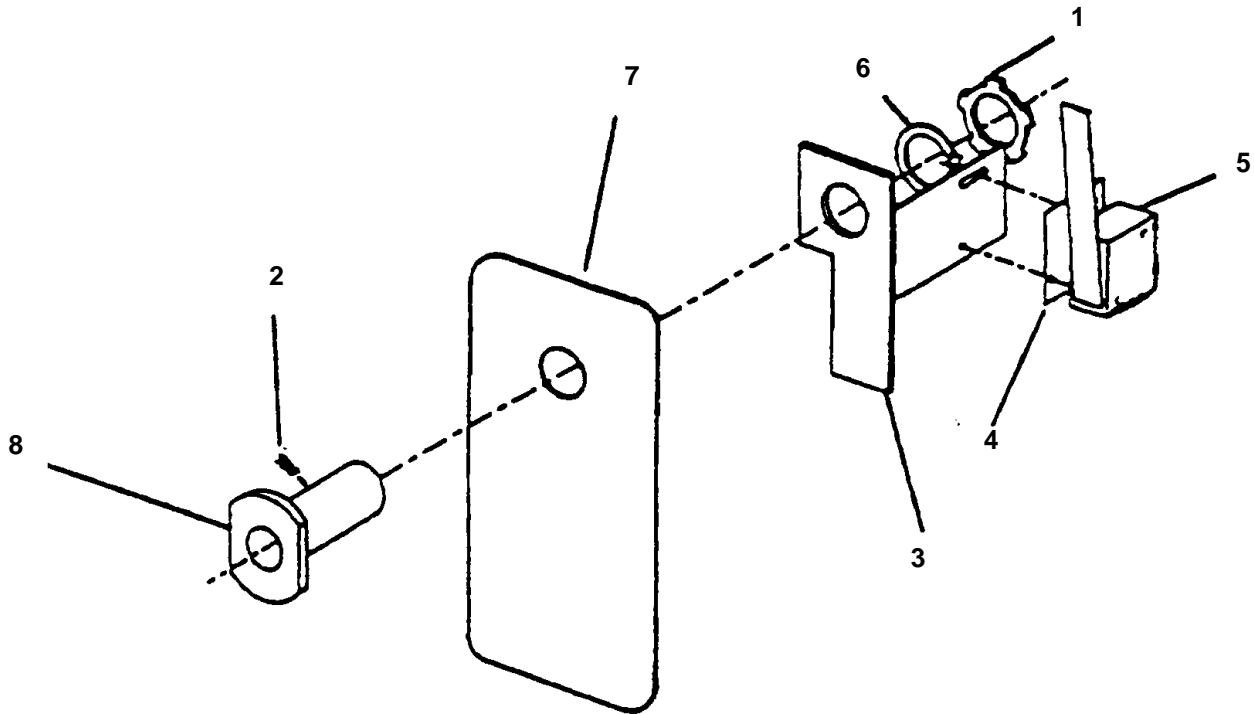
# SLD150

## SLD150S-1B Door and Solenoid



Item Number	Part Number	Description
1	A34801-001	Ice door
2	03-0396-01	Cotter pin
3	02-3089-02	Solenoid link
4	02-3088-01	Long axle
5	03-1407-02	Washer
6	A32685-001	Axle, linkage
7	A32683-001	Solenoid
8	A32690-001	Door spring
9	A34802-001	Door hinge
10	03-0396-08	Cotter pin
11	02-3187-01	Bushing
12	A35623-001	Door assembly kit, includes all items except 5, 6, & 7

# SLD150 Kit Parts



## KSLDK2 Key Mech Kit - for SLD150S-1B

Item Number	Part Number	Description
1	C01002800	Nut lock
2	C19549700	Set screw
3	C42792800	Switch bracket
4	no number	Barrier
5	C26203100	Microswitch
6	C80452001	Plastic washer
7	C80417804	Cover plate
8	C42647900	Lock housing

## Not Shown

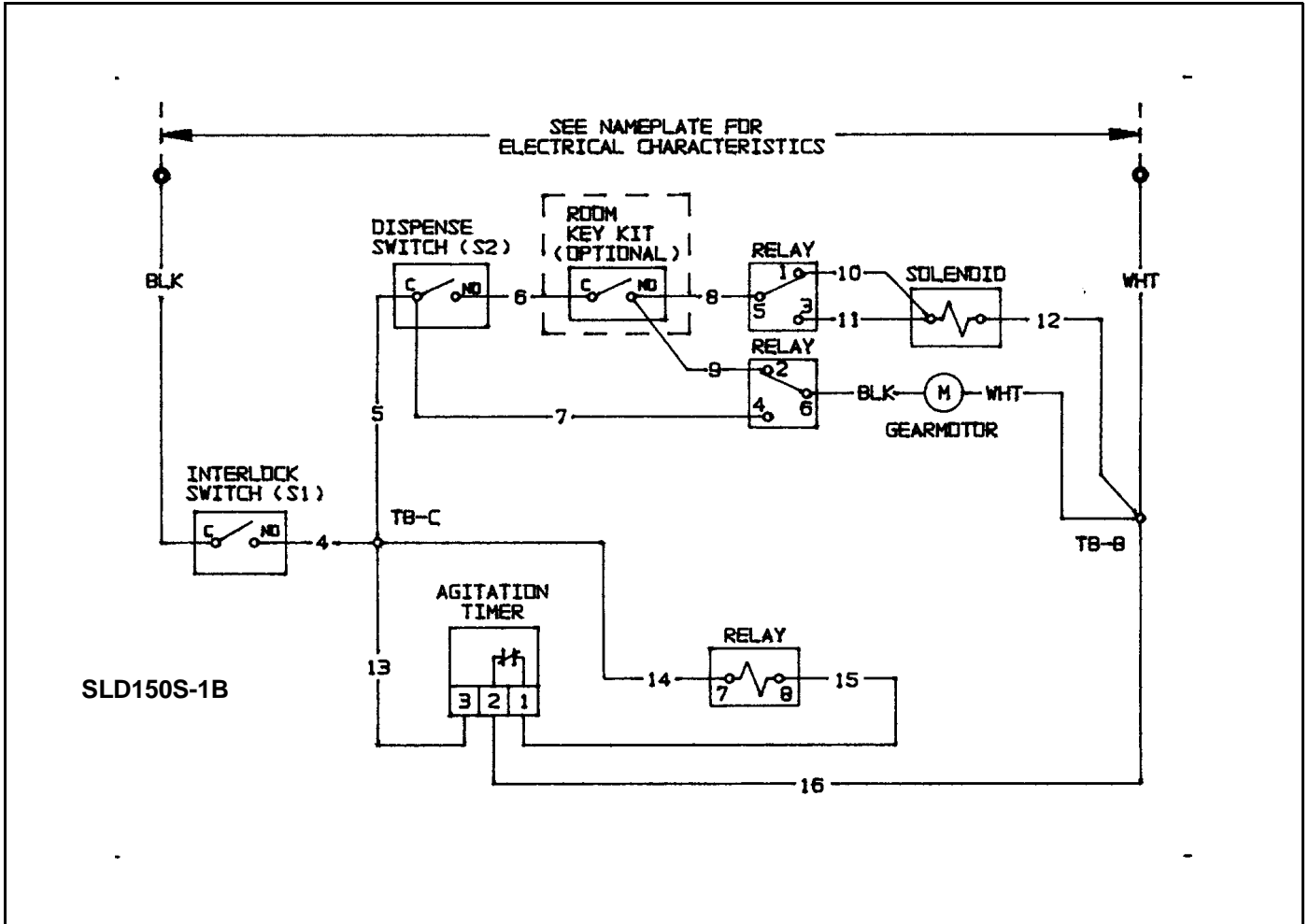
### KSLDK Key Mech. Kit (for SLD150S-1A)

Item Number	Part Number	Description
1	C80575503	Coin mech cover
2	C42647900	Brass lock housing
3	C42792800	Switch bracket
4	C80417803	Key mech
5	C26203100	Micro switch

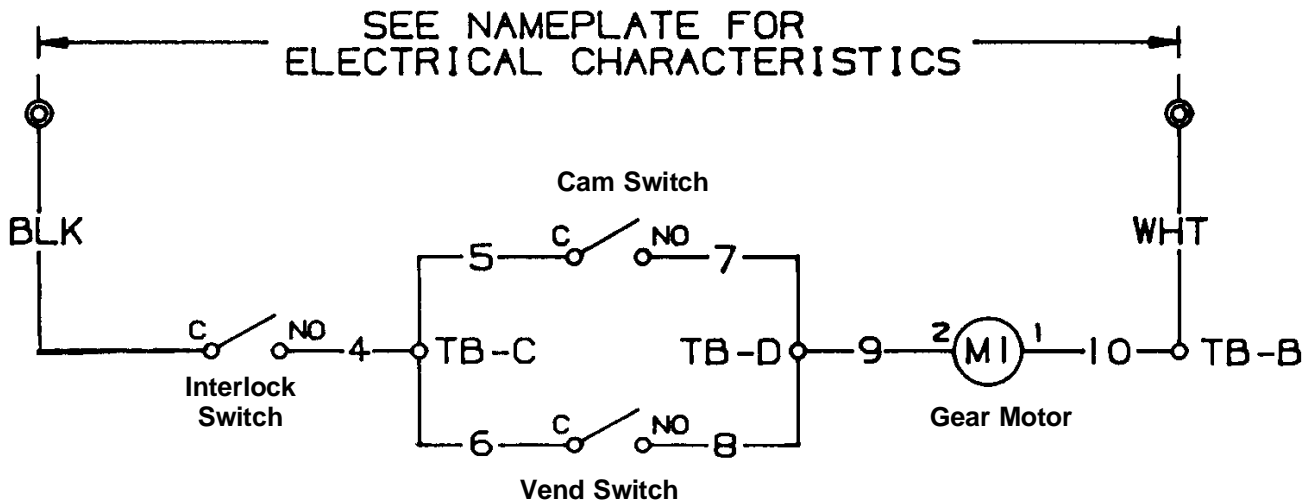
### KSLDC or KSLDC2 Coin Mech Kit

1	C18223900	Term. board
2	C46292701	Control Relay
3	C80457301	Coin slide mech.
4	C80457401	Coin box
5	C80457501	Mounting plate
6	C80565701	Timer
7	C80457302	Microswitch

# SLD150 Wiring Diagrams



SLD150-1



Use Copper Conductors Only  
 TB= Terminal Board  
 Numbers = Wire Code Number

# SLD150

## Wiring Diagram, SLD150-1B with coin mechanism

