

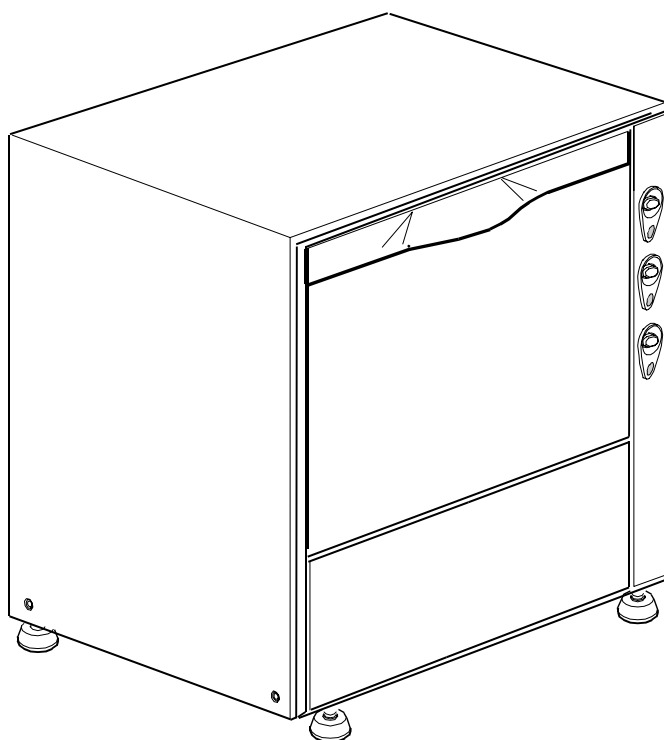
DISHWASHER

ELECTROMECHANICAL SWITCHES
LOWER WASHING

TYPE: 1U

Accessories
COLD RINSE
DETERGENT DISPENSER

Spare parts manual



1. Spare parts

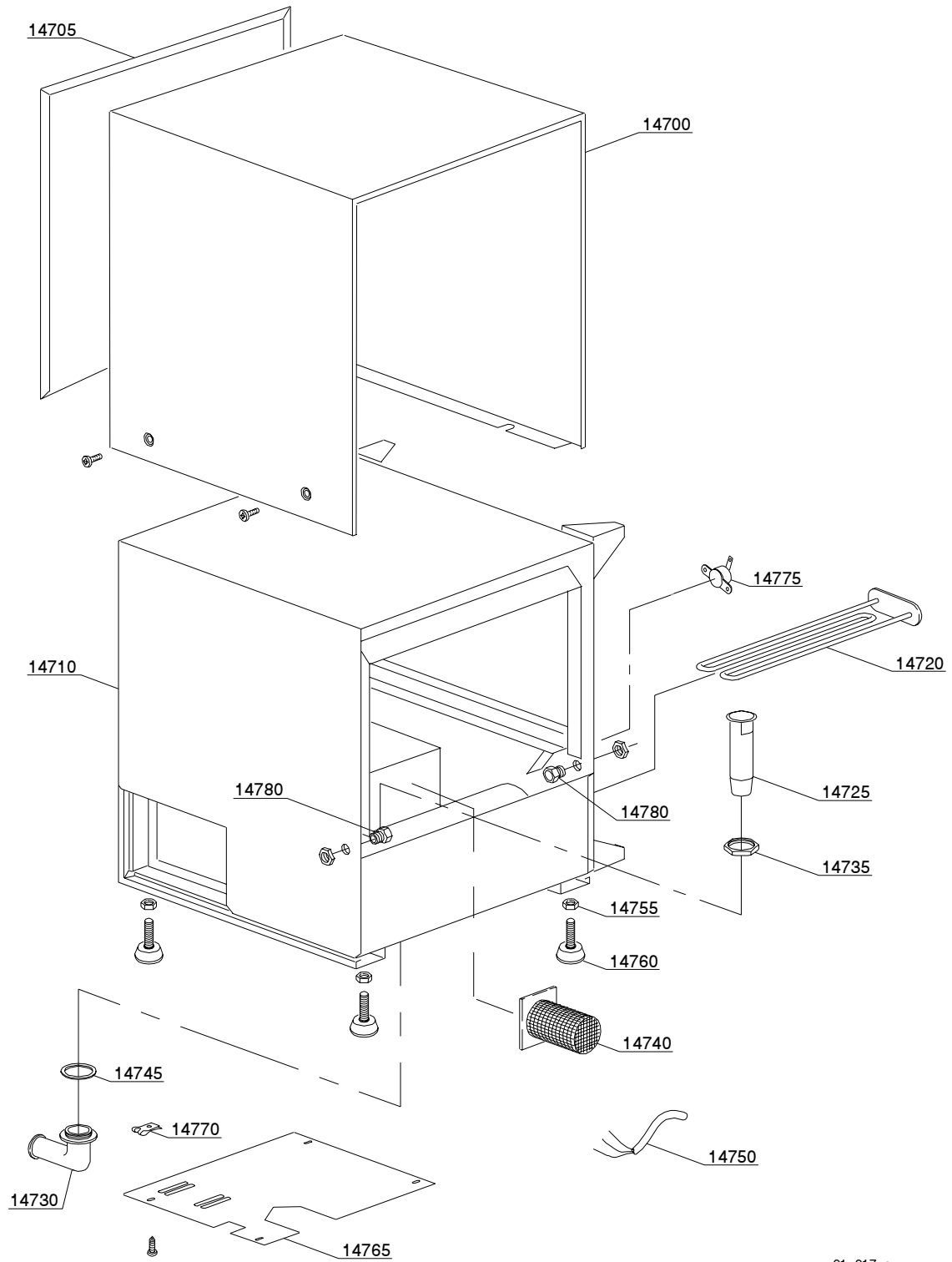
General body parts.....	7
Lockup system	9
Control panel	11
Control electric components.....	13
Solenoid valve group	15
Solenoid valve group	17
Shining product dosing device group .	19
3 ways derivation	21
4 ways derivation	23
Wash pump	25
Dosing device group	27
Pressure switch group with air trap ...	29
Turret group with rotating arms	31

1.1 Voltage codes

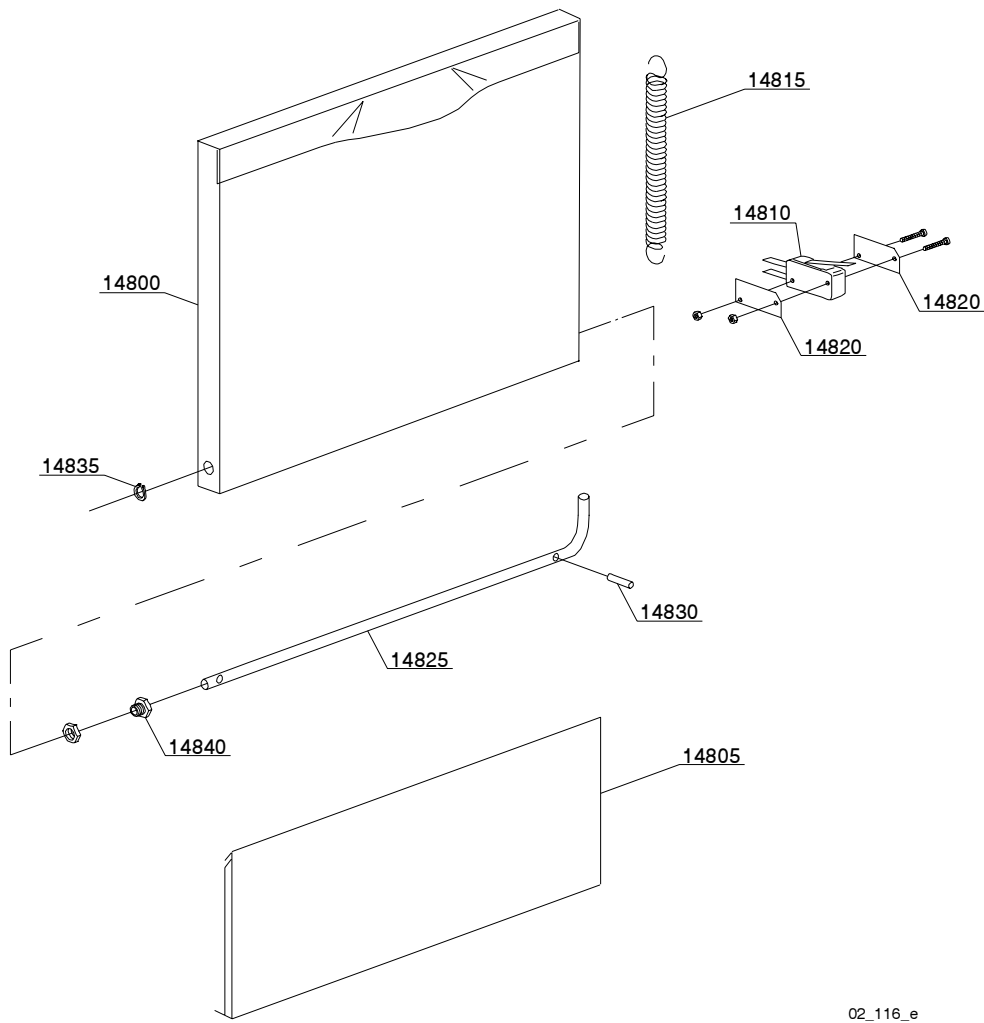
Voltage code	Voltage
A	3/N/PE~400/230V 50Hz
B	~250V 16A 50Hz
C	3/N/PE~380/220V 50Hz
D	3/PE~200V 50-60Hz
F	2/PE 220-240V 50Hz
G	3/N/PE~415/240V 50Hz
H	3/PE~230V 50Hz
I	3/PE~220V 60Hz
J	3/PE~380 50Hz
K	3/PE~400V 50Hz
L	3/PE~415V 50Hz
M	3/PE~440V 60Hz
N	3/PE~460V 60Hz
O	3/PE~480V 60Hz
P	1/N/PE~220-240V 50Hz
R	2/PE~220-230V 60Hz
S	3/N/PE~400/230V 50Hz
T	3/PE~230V 60Hz

1.2 Product codes

Product code	Full name
Model codes	
em	ELECTROMECHANICAL SWITCHES
cf	LOWER WASHING
Type codes	
1U	1U
Accessory codes	
fs	COLD RINSE
dde	DETERGENT DISPENSER

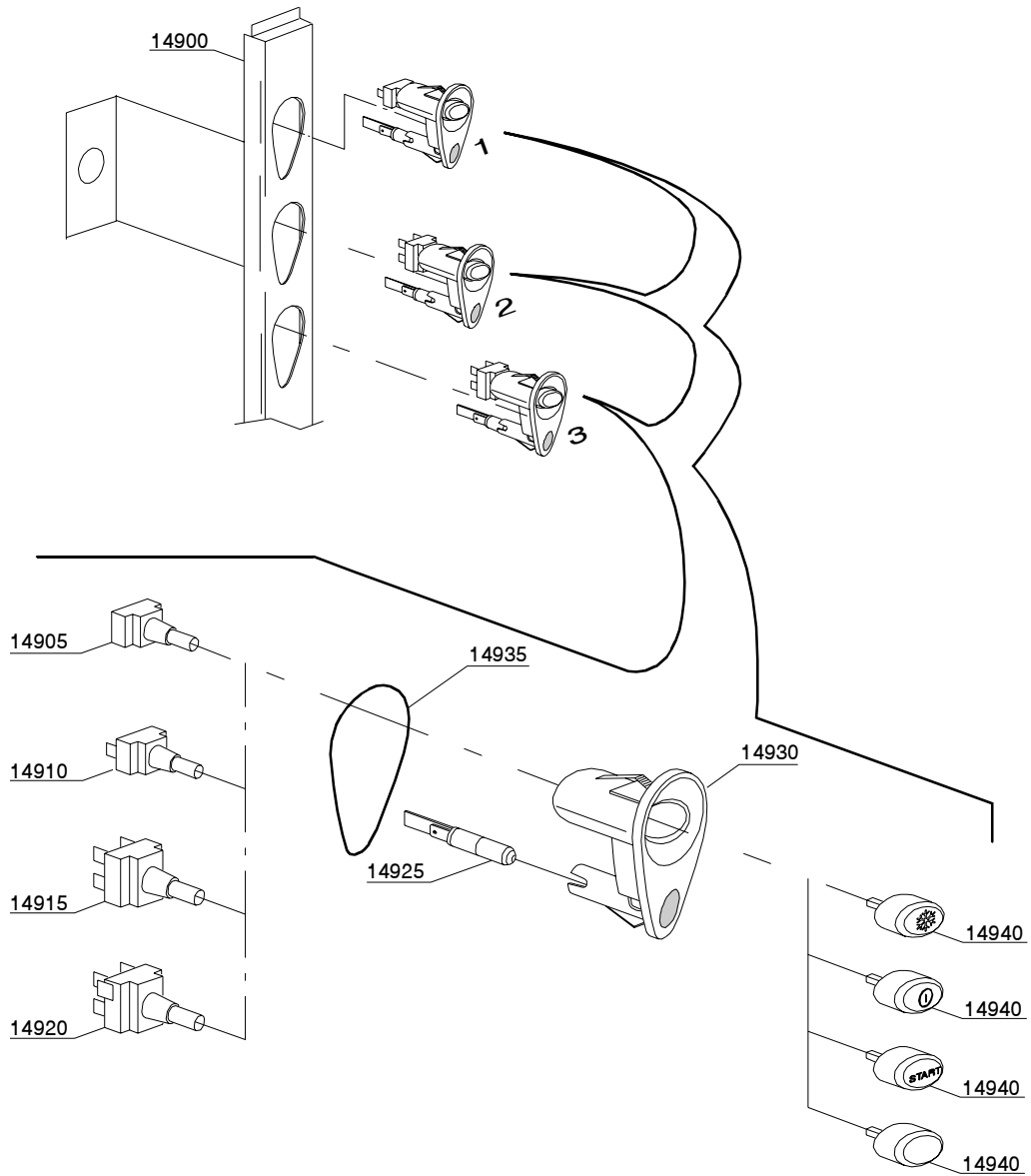


01_017_e



02_116_e

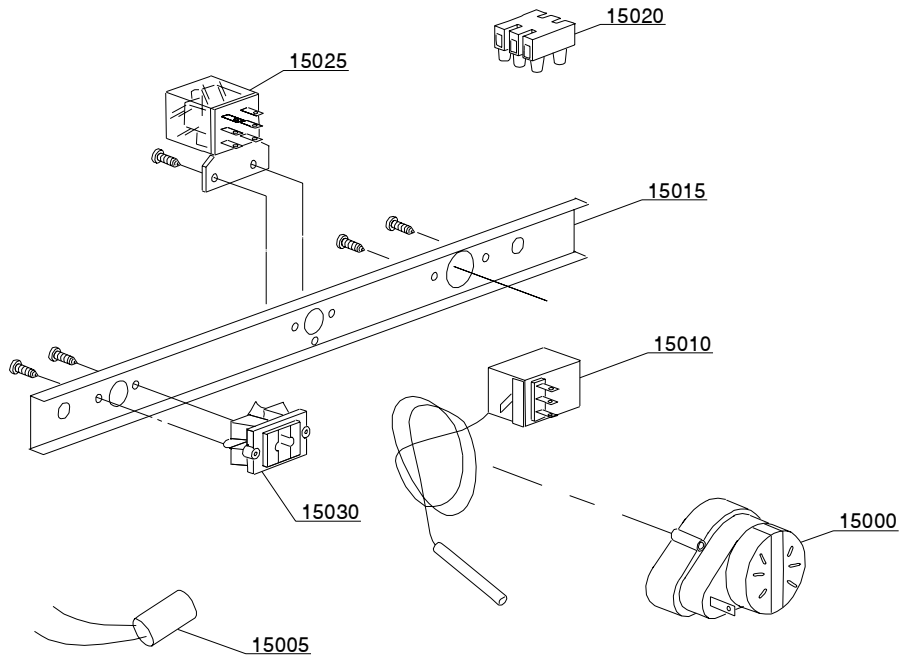
ID	P-code	Model	Type	Accessory	Voltage	Description
MODULE:Lockup system						
14800	10920		1U			Door with stainless steel handle
14805	10103		1U			Lower door
14810	10704		1U			Door microswitch
14815	10700		1U			Door spring
14820	10770		1U			Insulating for door microswitch
14825	10126		1U			Rod door
14830	11170		1U			M5x25 grub-screw
14835	11815		1U			Ø8 stainless steel snap ring
14840	11835		1U			Brass bush with nut



03_019_e

Spare parts

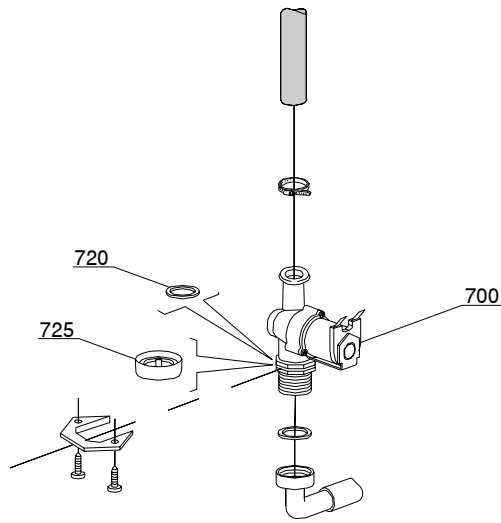
ID	P-code	Model	Type	Accessory	Voltage	Description
MODULE:Control panel						
14900	10947		1U			Derby control panel
14905	15844		1U			Key support
14910	15813		1U			16A unipolar push button
14915	15812		1U			16A switch
14925	15826		1U			Pilot light
14930	89300		1U			Key support
14935	89332		1U			OR gasket
14940	89344		1U	cr		Hot/cold key
14940	89341		1U			Start key
14940	89348		1U			Blind key
14940	89340		1U			ON-OFF key



04_015_e

Spare parts

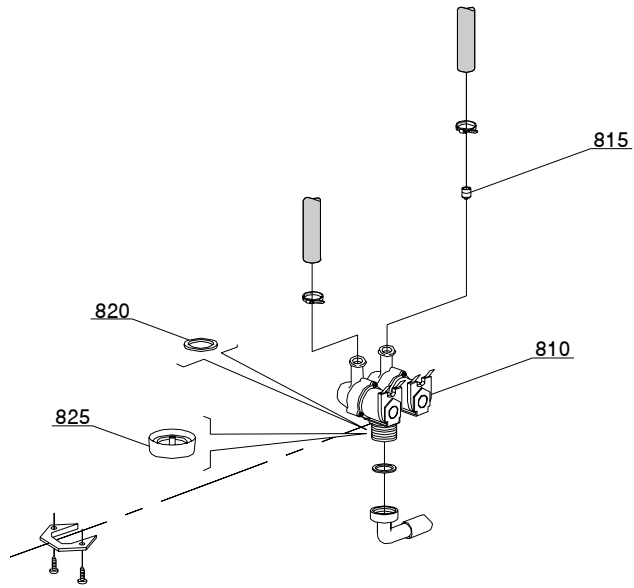
ID	P-code	Model	Type	Accessory	Voltage	Description
MODULE:Control electric components						
15000	10708/L		1U			"120"" timer - 230Vac 50Hz"
15000	10708/E		1U			"120"" timer - 110Vac 60Hz"
15000	10708/B		1U			"120"" timer - 220Vac 60Hz"
15005	15146		1U			Low noise filter
15010	10707/1		1U			0-90°C thermostat
15015	10948		1U			Electric components panel
15020	15065		1U			Terminal board
15025	15620/A		1U			110Vac bipolar relay
15030	15065/A		1U			Cable-fastener with screw



05_002_e

Spare parts

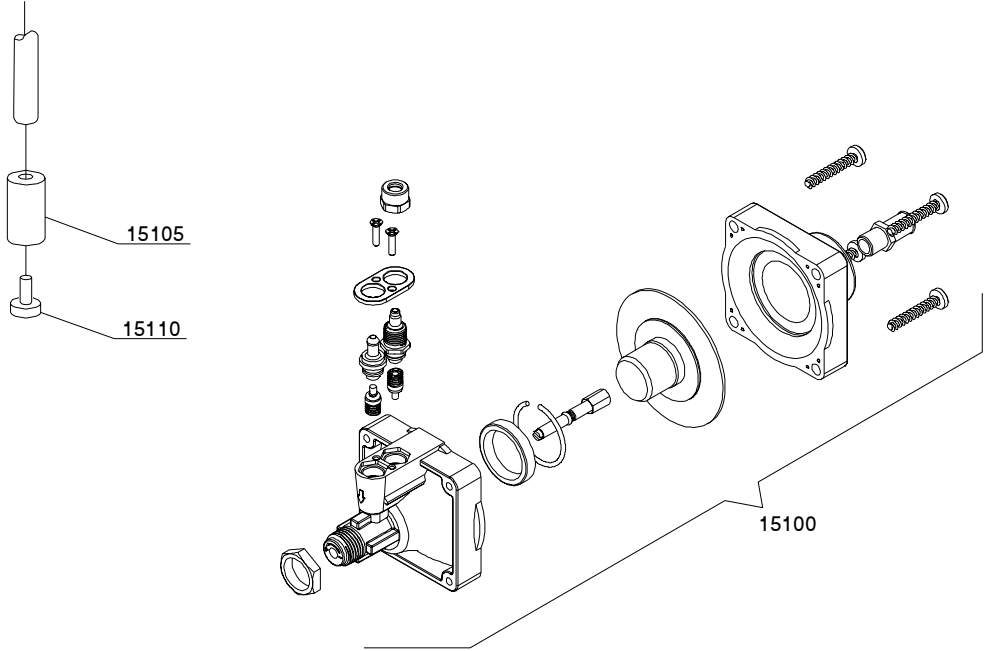
ID	P-code	Model	Type	Accessory	Voltage	Description
MODULE:Solenoid valve group						
700	10703		1U			Single solenoid valve
720	N.C.		1U			Pression reducing valve



05_003_e

Spare parts

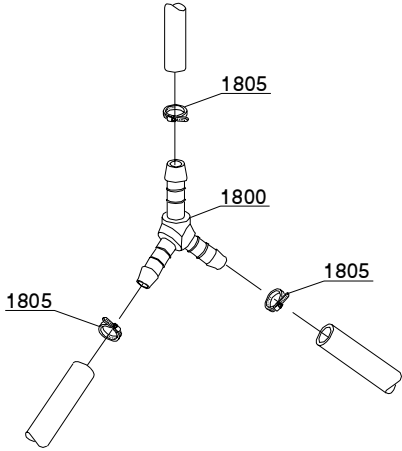
ID	P-code	Model	Type	Accessory	Voltage	Description
MODULE:Solenoid valve group						
810	15098		1U	cr,ws		Double solenoid valve - Ø10
810	15098/A		1U	cr		110Vac double solenoid valve



10_005_e

Spare parts

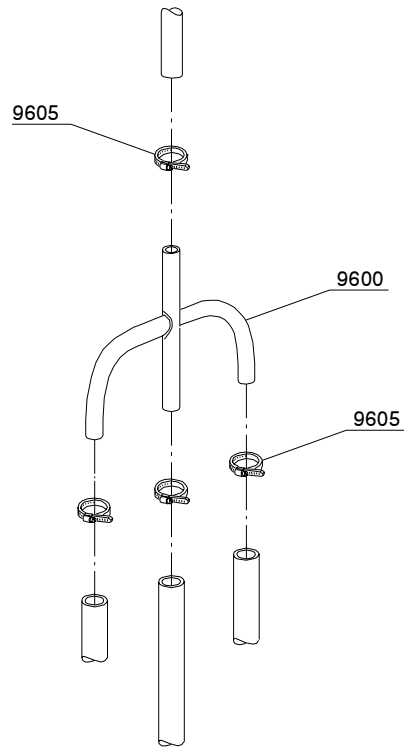
ID	P-code	Model	Type	Accessory	Voltage	Description
MODULE:Shining product dosing device group						
15100	10705		1U			Shining product dosing device
15105	12525		1U			Counter-weight
15110	15058		1U			Small filter



12_003_e

Spare parts

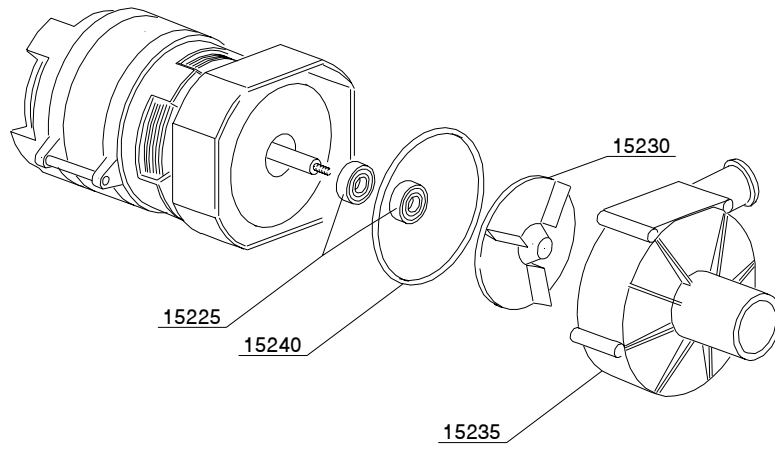
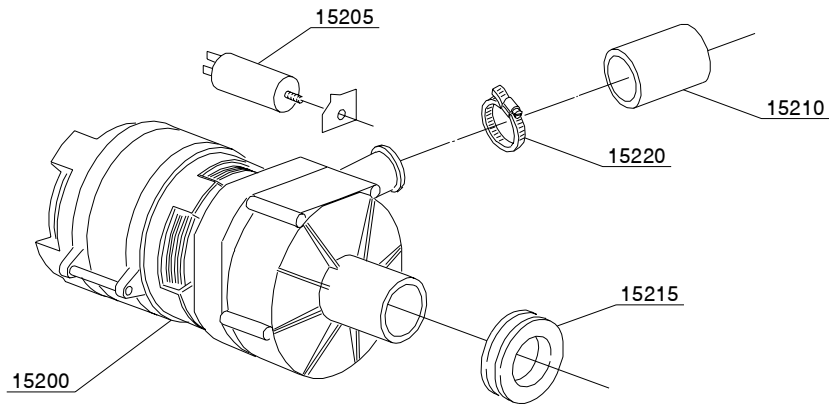
ID	P-code	Model	Type	Accessory	Voltage	Description
MODULE:3 ways derivation						
1800	540090		1U			Ø10 mm plastic 3 ways derivation
1805	11807		1U			12/22 clamp



12_004_e

Spare parts

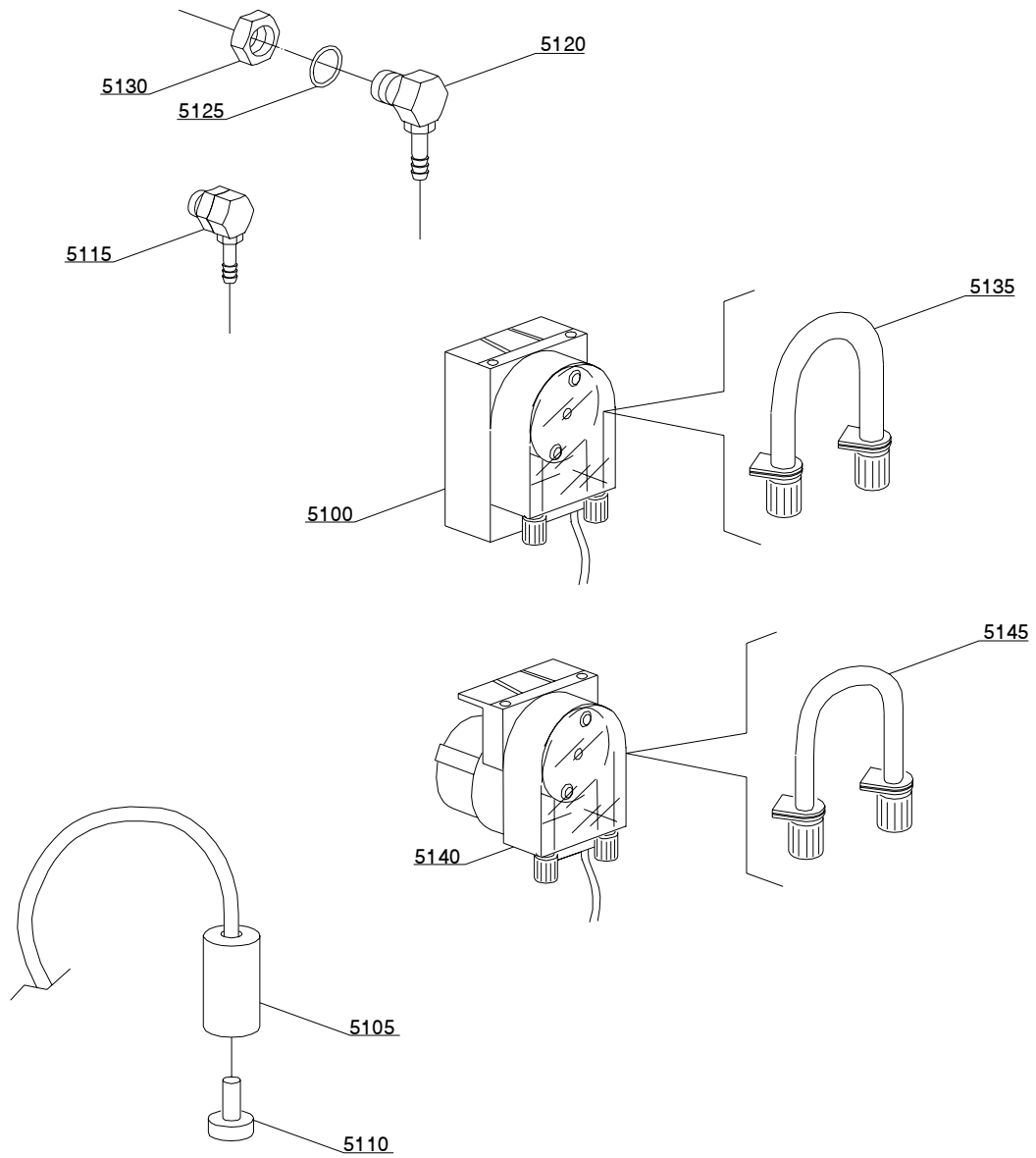
ID	P-code	Model	Type	Accessory	Voltage	Description
MODULE:4 ways derivation						
9600	15151		1U			Ø10 mm 4 ways derivation
9605	11807		1U			12/22 clamp



13_005_e

Spare parts

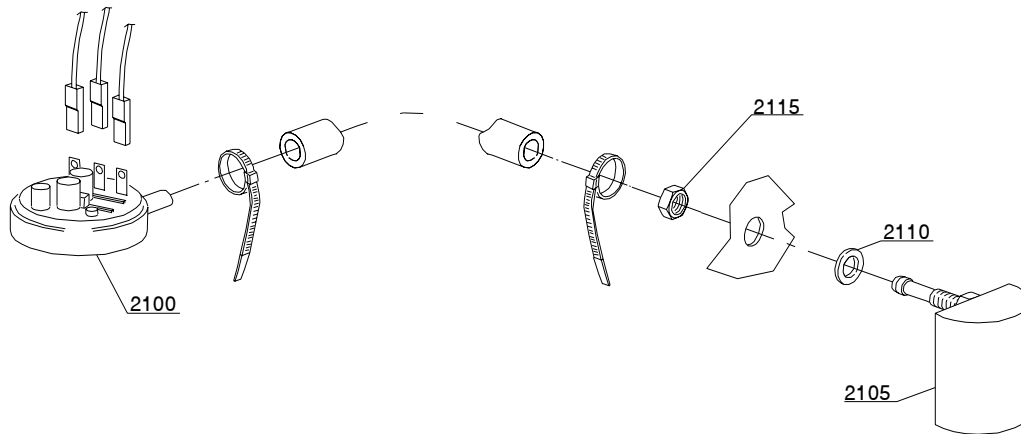
ID	P-code	Model	Type	Accessory	Voltage	Description
MODULE:Wash pump						
15200	10501/A		1U		A	0,10 Hp wash pump
15200	10501/D		1U		H	0,10Hp wash pump - 60Hz
15200	10501/E		1U			0,10Hp wash pump - 110Vac 60Hz
15205	10702		1U			5 uF condenser
15210	10718		1U			Pump pipe coupling
15215	13306		1U			43x27x10 pump gasket
15220	11806		1U			25/40 clamp
15225	10505		1U			Rotating seals
15230	10504		1U			Pump rotor
15235	10502		1U			Pump scroll
15240	10506		1U			OR gasket



14_004_e

Spare parts

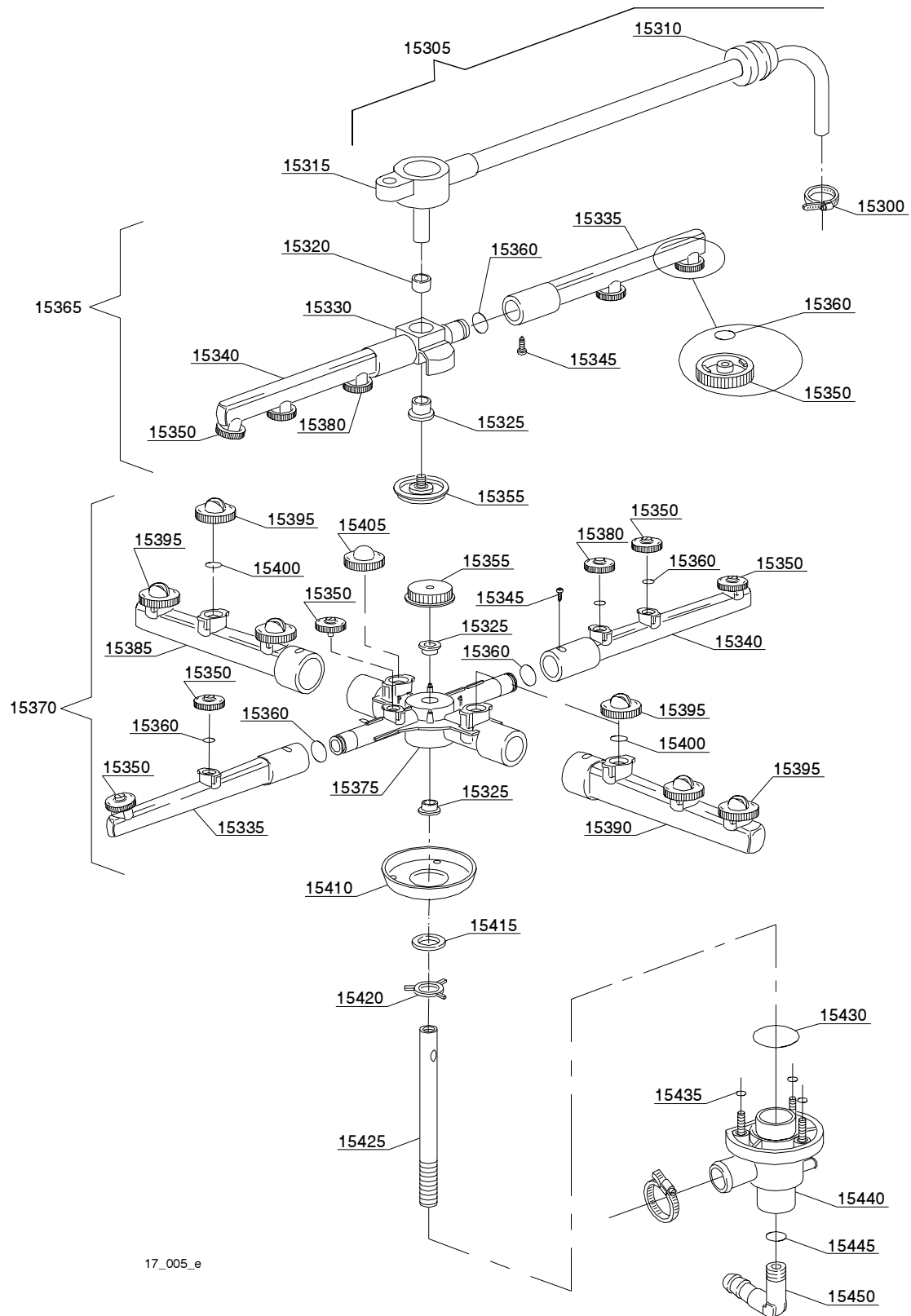
ID	P-code	Model	Type	Accessory	Voltage	Description
MODULE:Dosing device group						
5100	15985		1U	dd		Seko dosing device
5105	12525		1U	dd		Counter-weight
5110	15058		1U	dd		Small filter
5115	15123		1U	dd		Complet plastic injector
5120	15148		1U	dd		Steel injector
5125	15159		1U	dd		OR gasket
5130	10200205		1U	dd		M12x1 stainless steel nut
5135	15185		1U	dd		Seko thermoplastic pipe
5140	15985		1U	dd		Germac dosing device
5145	15108/E		1U	dd		Germac thermoplastic pipe



16_001_e

Spare parts

ID	P-code	Model	Type	Accessory	Voltage	Description
MODULE:Pressure switch group with air trap						
2100	10706/A		1U			47-27 pressure switch
2105	10911		1U			Air trap assembly
2110	13301		1U			Gasket
2115	11702		1U			M8 stainless steel nut



17_005_e

Spare parts

ID	P-code	Model	Type	Accessory	Voltage	Description
MODULE:Turret group with rotating arms						
15300	11807		1U			12/22 clamp
15305	10993		1U			Top rinse turret group
15310	13304		1U			Pipe-pass gasket
15315	10909		1U			Top rinse turret
15320	13320		1U			Sliding washer
15325	13319		1U			Sliding washer
15330	10359		1U			Rinse rotor
15335	10360		1U			Right rinse pipe
15340	10361		1U			Left rinse pipe
15345	11004		1U			4x10 TCB Ø8 spax toothed screw
15350	12537		1U			Opened head rinse nozzle
15355	10365		1U			Handle with insert
15360	13002		1U			OR R6 NBR gasket
15365	10996		1U			Top rinse group
15370	10998		1U			Lower wash/rinse group
15375	10364		1U			Wash rotor
15380	12538		1U			Closed head rinse nozzle
15385	10355		1U			Right wash pipe
15390	10356		1U			Left wash pipe
15395	10357		1U			Opened head wash nozzle
15400	13009		1U			OR 2050 NBR gasket
15405	10358		1U			Closed head wash nozzle
15410	10204		1U			Splash guard
15415	13302		1U			Ø16,5x10x2,5 teflon washer
15420	10203		1U			Guide pipe
15425	12501		1U			Ø10x1,5x100 rotor axle
15430	13000		1U			OR 3125 NBR gasket
15435	13001		1U			OR 104 NBR gasket
15440	10205/A		1U			Lower wash turret with hole
15445	13003		1U			OR 112 NBR gasket
15450	12030		1U			3/8M Ø12 elbow pipe fitting